



US00D691560S

(12) **United States Design Patent**
Wang

(10) **Patent No.:** **US D691,560 S**

(45) **Date of Patent:** **** Oct. 15, 2013**

(54) **PHOTOVOLTAIC CONNECTOR**

(76) Inventor: **Weihui Wang**, Cixi (CN)

(**) Term: **14 Years**

(21) Appl. No.: **29/418,046**

(22) Filed: **Apr. 11, 2012**

(30) **Foreign Application Priority Data**

Oct. 14, 2011 (CN) 2011 3 0362509

(51) **LOC (9) Cl.** **13-03**

(52) **U.S. Cl.**
USPC **D13/133**

(58) **Field of Classification Search**
USPC D13/133, 149, 151, 153, 154, 156,
D13/199; 439/79, 248, 258, 274, 35, 352,
439/353, 358, 359, 362, 378, 445, 447, 578,
439/584, 585, 656, 66, 676, 677, 678, 679,
439/68, 681, 682, 686

See application file for complete search history.

(56) **References Cited**

U.S. PATENT DOCUMENTS

D597,947 S *	8/2009	Ono	D13/133
D601,090 S *	9/2009	Vigorito et al.	D13/133
D605,595 S *	12/2009	Thomas	D13/133
D673,500 S *	1/2013	Feige et al.	D13/133
D678,838 S *	3/2013	Henrink et al.	D13/133

* cited by examiner

Primary Examiner — Thomas Johannes
(74) *Attorney, Agent, or Firm* — Matthias Scholl, PC;
Matthias Scholl

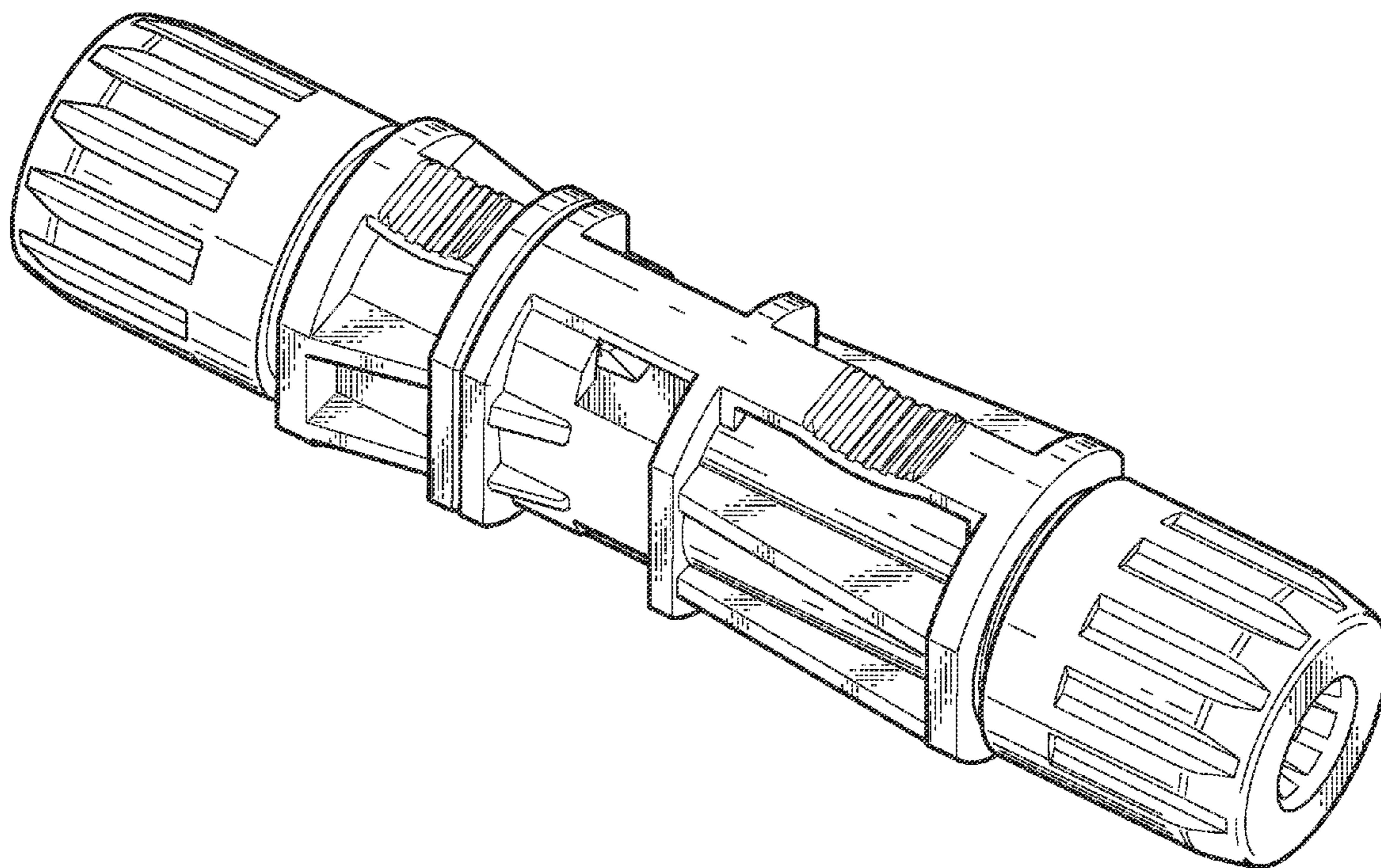
(57) **CLAIM**

The ornamental design for a photovoltaic connector, as shown and described.

DESCRIPTION

FIG. 1 is a perspective of a photovoltaic connector;
FIG. 2 is a front elevational view thereof;
FIG. 3 is a rear elevational view thereof;
FIG. 4 is a top plan view thereof;
FIG. 5 is a bottom plan view thereof;
FIG. 6 is a left side elevational view thereof; and,
FIG. 7 is a right side elevational view thereof.
The broken line portion of the figure drawings is included to show unclaimed subject matter only and forms no part of the claimed design.

1 Claim, 4 Drawing Sheets



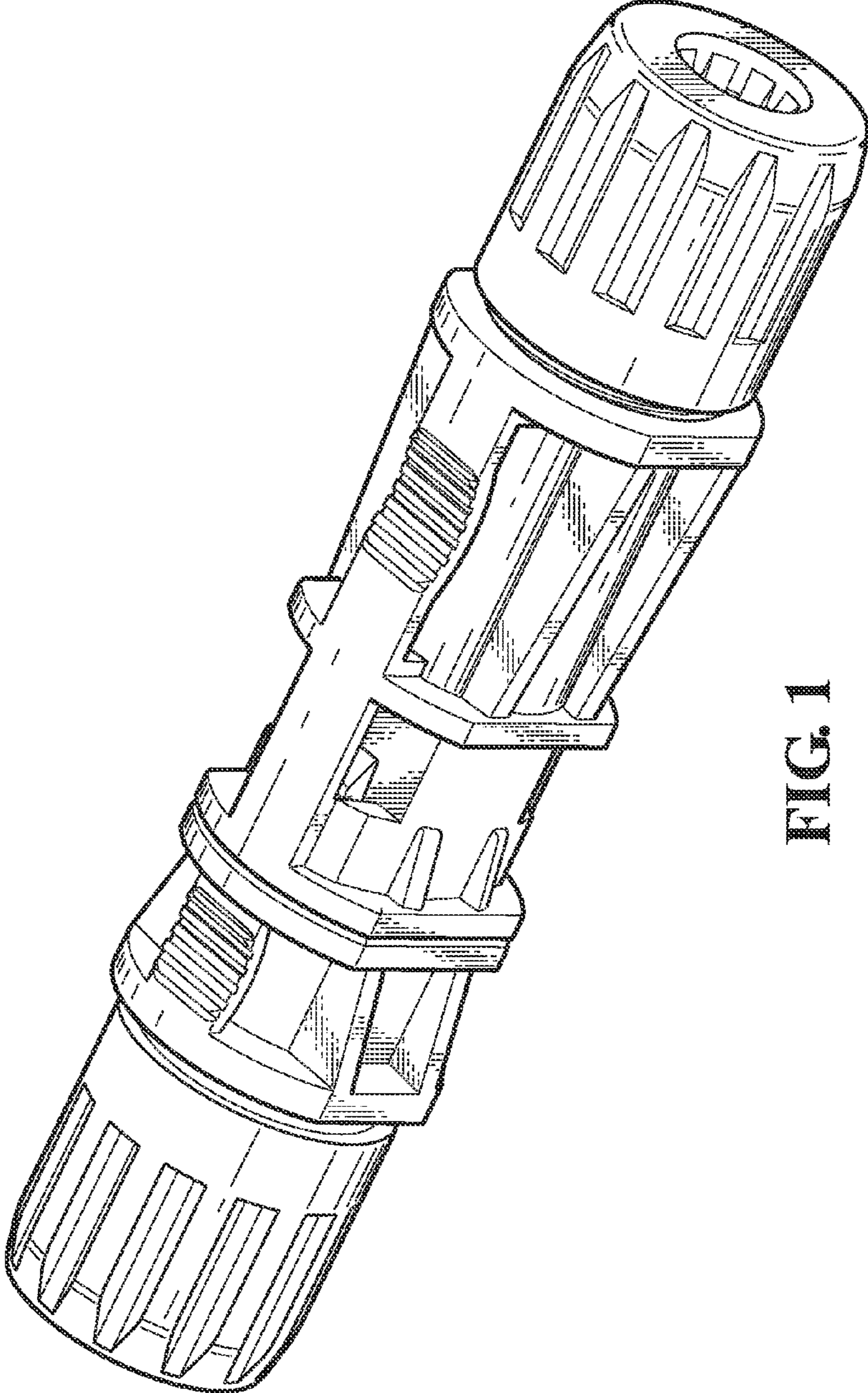


FIG. 1

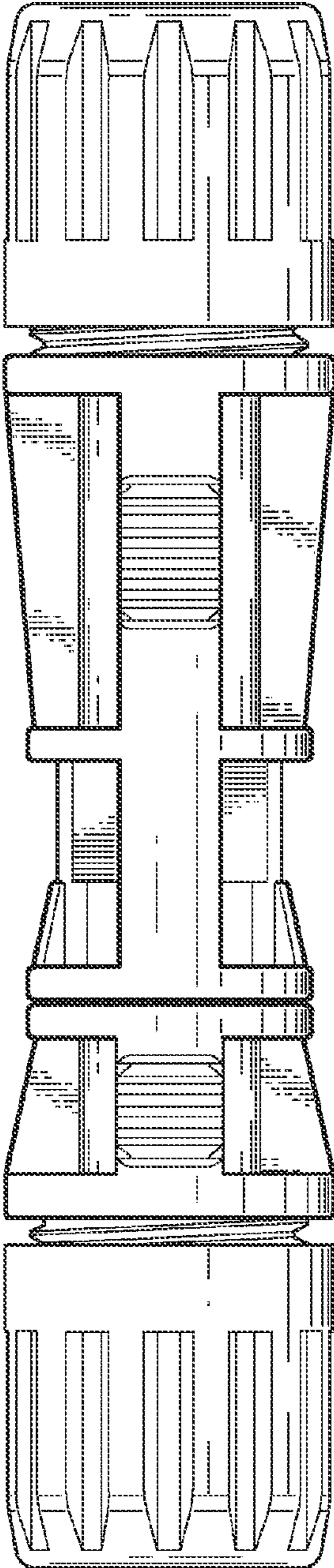


FIG. 2

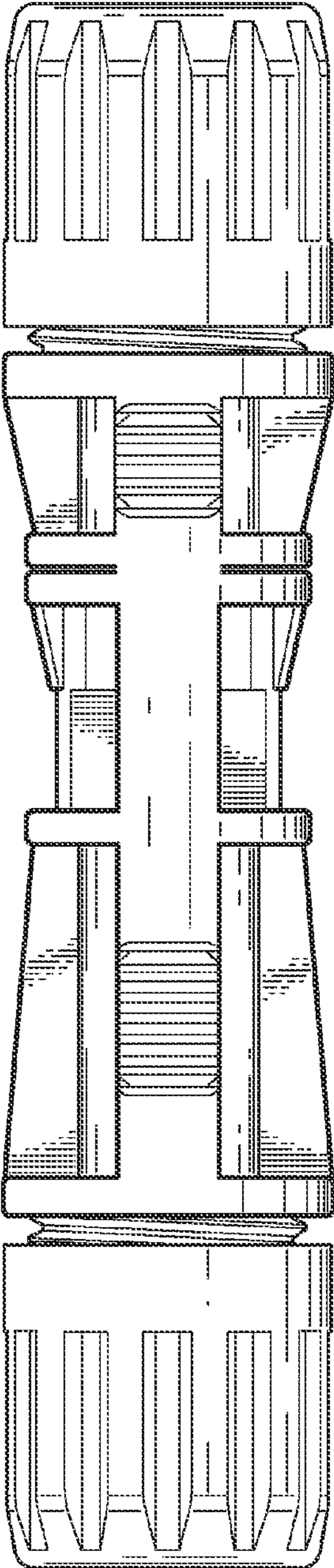


FIG. 3

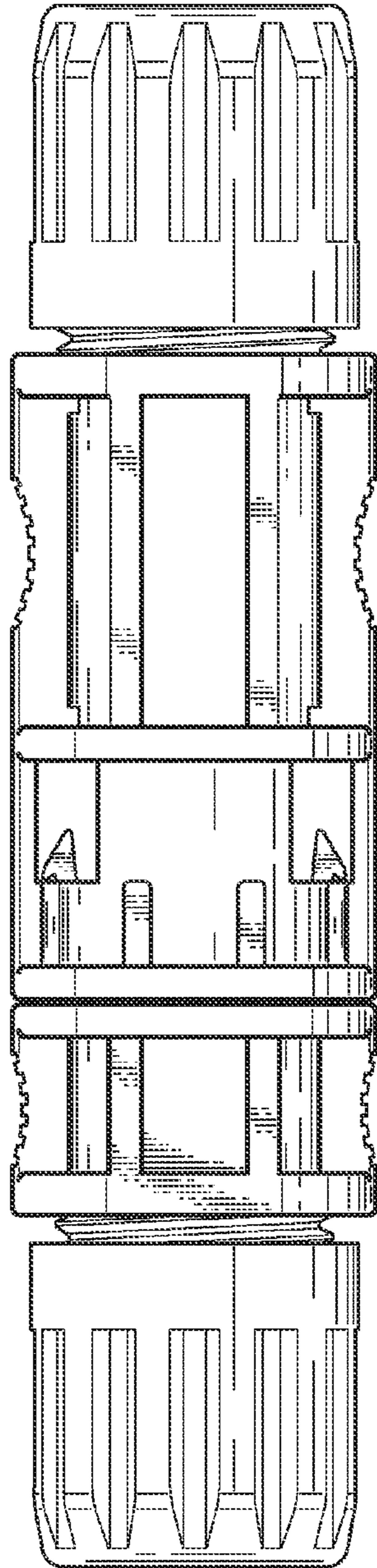


FIG. 4

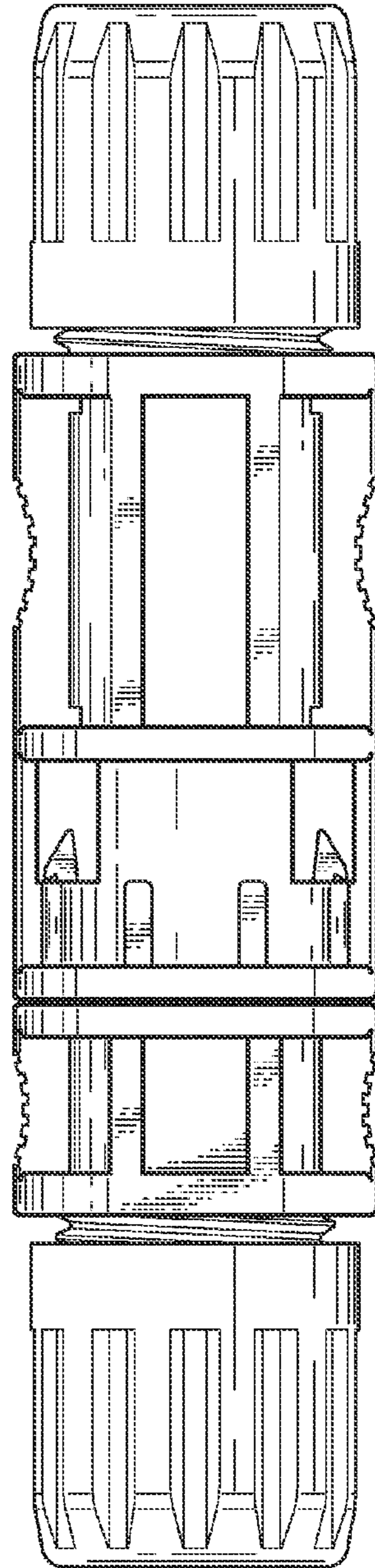


FIG. 5

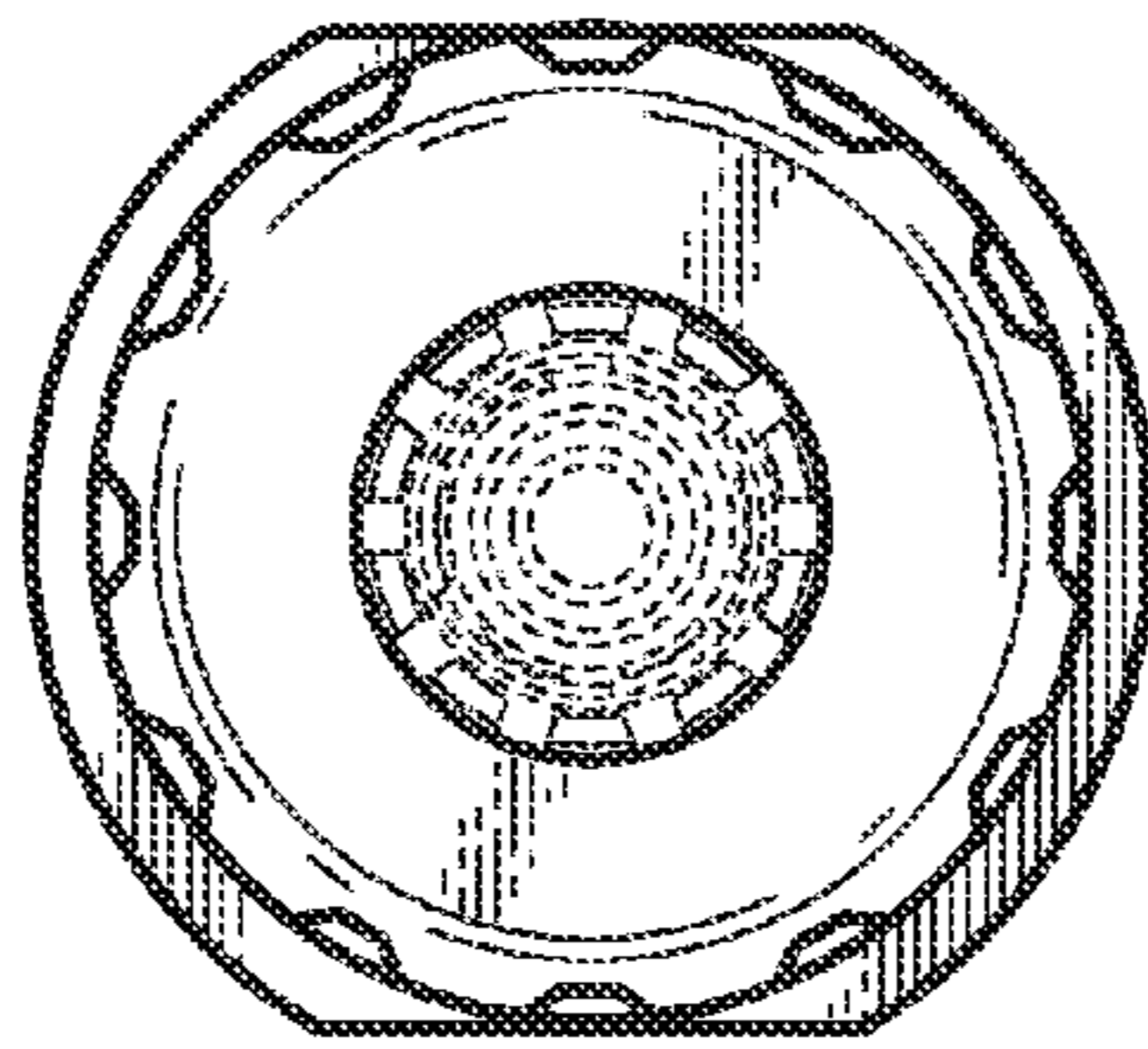


FIG. 6

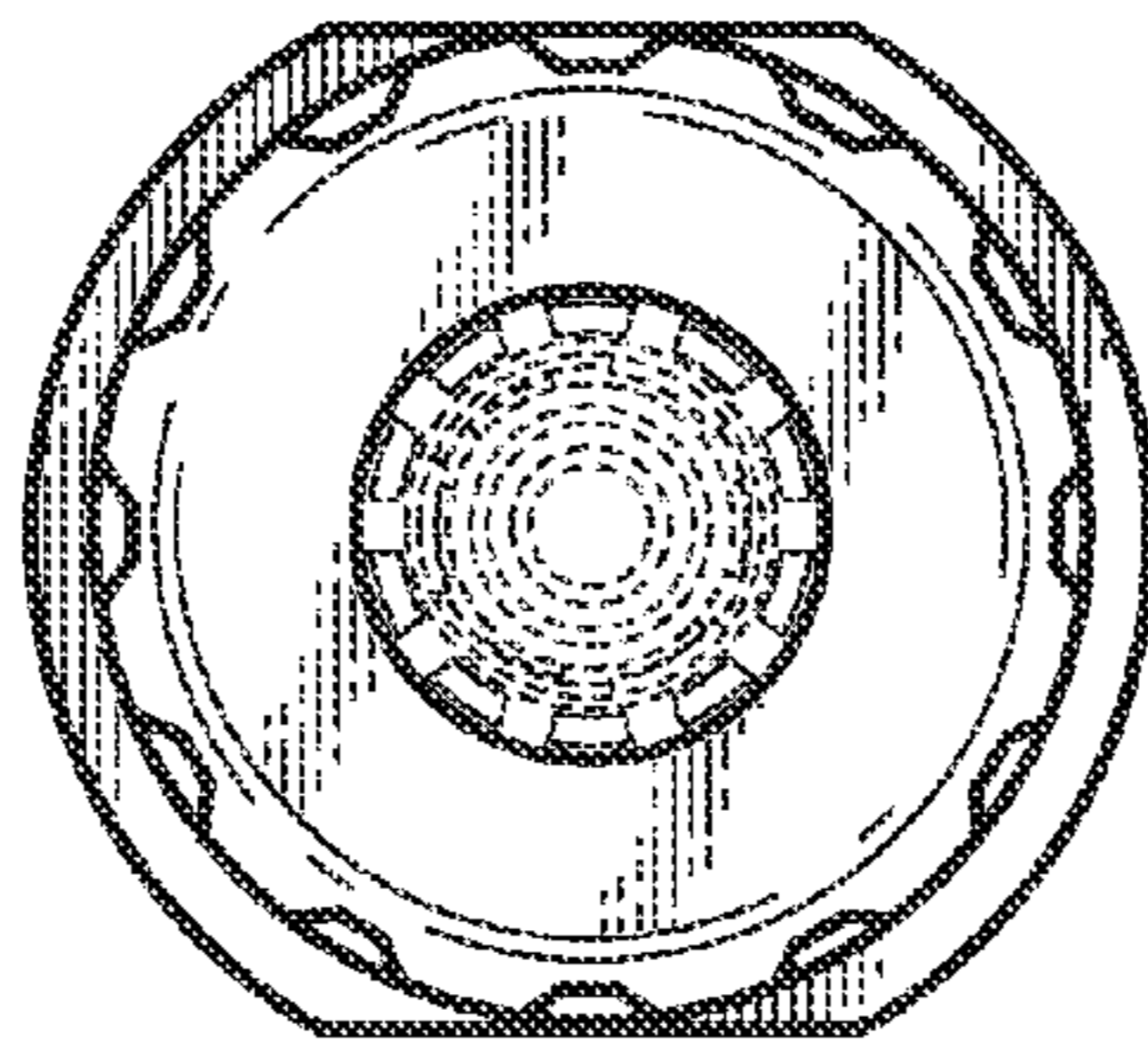


FIG. 7