

US00D691557S

(12) **United States Design Patent**
Helosvuori et al.

(10) **Patent No.:** **US D691,557 S**
(45) **Date of Patent:** **** Oct. 15, 2013**

(54) **EQUIPMENT FOR DISTRIBUTION OF ELECTRIC POWER**

(71) Applicants: **Juhani Helosvuori**, Riihimäki (FI);
Marjukka Mäkelä, Helsinki (FI); **Petri Isaksson**, Helsinki (FI)

(72) Inventors: **Juhani Helosvuori**, Riihimäki (FI);
Marjukka Mäkelä, Helsinki (FI); **Petri Isaksson**, Helsinki (FI)

(73) Assignee: **Abb Oy**, Helsinki (FI)

(**) Term: **14 Years**

(21) Appl. No.: **29/448,997**

(22) Filed: **Mar. 14, 2013**

Related U.S. Application Data

(62) Division of application No. 29/371,782, filed on Sep. 22, 2011, now Pat. No. Des. 686,158.

(30) **Foreign Application Priority Data**

Apr. 1, 2011 (EM) 001270060-0004

Apr. 1, 2011 (EM) 001270060-0005

(51) **LOC (9) Cl.** **13-03**

(52) **U.S. Cl.**
USPC **D13/123; D13/158**

(58) **Field of Classification Search**
USPC D13/158, 159, 160, 161, 162, 184, 199;
200/43.14, 50.01, 50.21-50.23, 51 R,
200/293, 400, 401; 361/42, 44, 45, 50, 71,
361/115, 608, 634

See application file for complete search history.

(56) **References Cited**

U.S. PATENT DOCUMENTS

D370,662 S *	6/1996	Alfaro	D13/160
D378,914 S *	4/1997	Smith et al.	D13/160
D400,510 S *	11/1998	Brunelle	D13/162
D400,863 S *	11/1998	Richman et al.	D13/162
D402,267 S *	12/1998	M'Sadoques	D13/160
6,184,483 B1 *	2/2001	Coudert et al.	200/50.21
D455,714 S *	4/2002	Kim	D13/110

(Continued)

Primary Examiner — Thomas Johannes

(74) *Attorney, Agent, or Firm* — Dykema Gossett PLLC

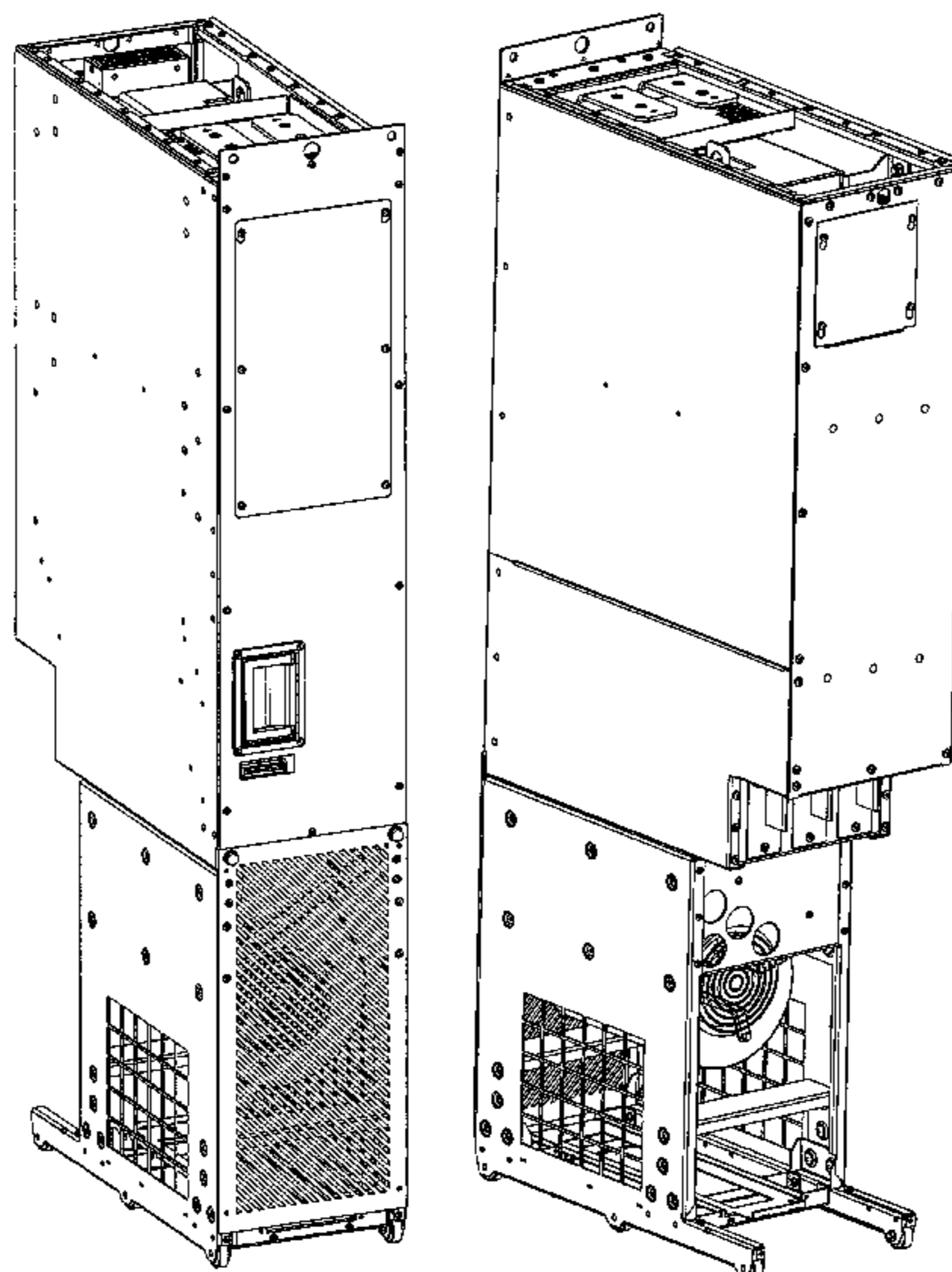
(57) **CLAIM**

The ornamental design for an equipment for distribution of electric power, as shown and described.

DESCRIPTION

FIG. 1 is a perspective top, front and left side view of an equipment for distribution of electric power of a first embodiment showing our new design;
FIG. 2 is a front view thereof;
FIG. 3 is a left side view thereof;
FIG. 4 is a right side view thereof;
FIG. 5 is a top view thereof;
FIG. 6 is a bottom view thereof;
FIG. 7 is a rear view thereof;
FIG. 8 is a perspective top, rear and right side view thereof;
FIG. 9 is a perspective top, front and left side view of an equipment for distribution of electric power of a second embodiment showing our new design;
FIG. 10 is a front view thereof;
FIG. 11 is a left side view thereof;
FIG. 12 is a right side view thereof;
FIG. 13 is a top view thereof;
FIG. 14 is a bottom view thereof;
FIG. 15 is a rear view thereof; and,
FIG. 16 is a perspective top, rear and right side view thereof.
The broken line portion of the figure drawings is included to show unclaimed subject matter only and forms no part of the claimed design.

1 Claim, 16 Drawing Sheets



(56)

References Cited

U.S. PATENT DOCUMENTS

6,680,445 B1 * 1/2004 Oravetz et al. 200/50.33
 D511,137 S * 11/2005 Tuomola et al. D13/110
 D511,150 S * 11/2005 Nurmi et al. D13/184
 D512,696 S * 12/2005 Nurmi et al. D13/184
 D521,466 S * 5/2006 Nurmi et al. D13/184
 D539,736 S * 4/2007 Wu et al. D13/110
 D541,743 S * 5/2007 Virolainen et al. D13/110
 D541,744 S * 5/2007 Virolainen et al. D13/110
 D541,745 S * 5/2007 Virolainen et al. D13/110
 D548,182 S * 8/2007 Hakala et al. D13/110
 D548,183 S * 8/2007 Hakala et al. D13/110
 D559,179 S * 1/2008 Kuo D13/110
 D560,607 S * 1/2008 Suematsu et al. D13/110
 D561,701 S * 2/2008 Johansson et al. D13/162
 D562,234 S * 2/2008 Morihara et al. D13/110
 D563,316 S * 3/2008 Higuchi D13/110
 7,372,696 B2 * 5/2008 Kauranen et al. 361/692
 D573,090 S * 7/2008 Savolainen et al. D13/110

D578,489 S * 10/2008 Johansson et al. D13/164
 D593,040 S * 5/2009 Frassinetti et al. D13/160
 D599,301 S * 9/2009 Azzola et al. D13/160
 D599,302 S * 9/2009 Magoni D13/160
 D610,552 S * 2/2010 Azzola et al. D13/160
 D633,059 S * 2/2011 Delakowitz D13/184
 D639,252 S * 6/2011 Azzola et al. D13/160
 D642,991 S * 8/2011 Mattlar et al. D13/158
 D643,376 S * 8/2011 Naumann et al. D13/160
 D647,844 S * 11/2011 Engblom et al. D13/113
 D647,845 S * 11/2011 Engblom et al. D13/113
 D651,982 S * 1/2012 Karandikar et al. D13/158
 D653,624 S * 2/2012 Mattlar et al. D13/158
 D654,441 S * 2/2012 Mattlar et al. D13/158
 D654,878 S * 2/2012 Mattlar et al. D13/158
 D655,680 S * 3/2012 Mattlar et al. D13/158
 D659,105 S * 5/2012 Azzola et al. D13/160
 D666,560 S * 9/2012 Naumann et al. D13/160
 D666,977 S * 9/2012 Naumann et al. D13/160
 D673,910 S * 1/2013 Lorton D13/110
 2006/0158847 A1 * 7/2006 Kauranen et al. 361/695

* cited by examiner

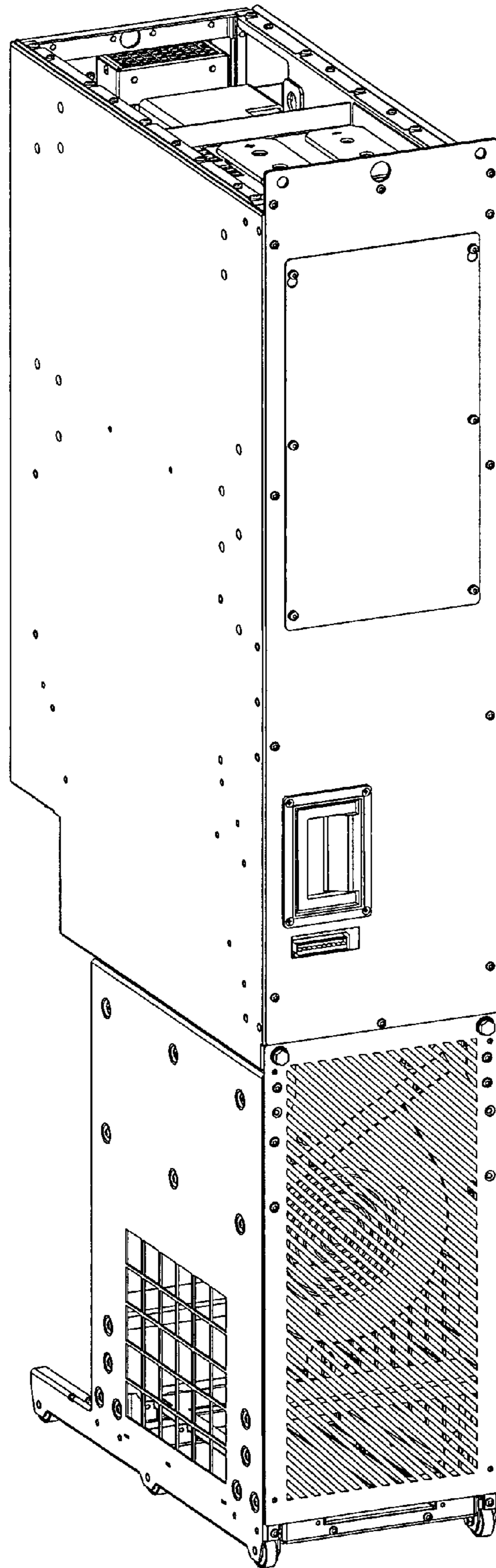


FIG. 1

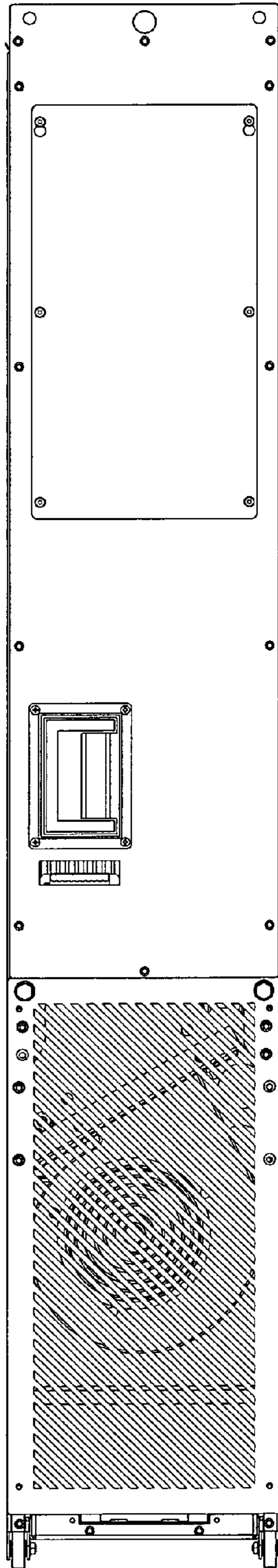


FIG. 2

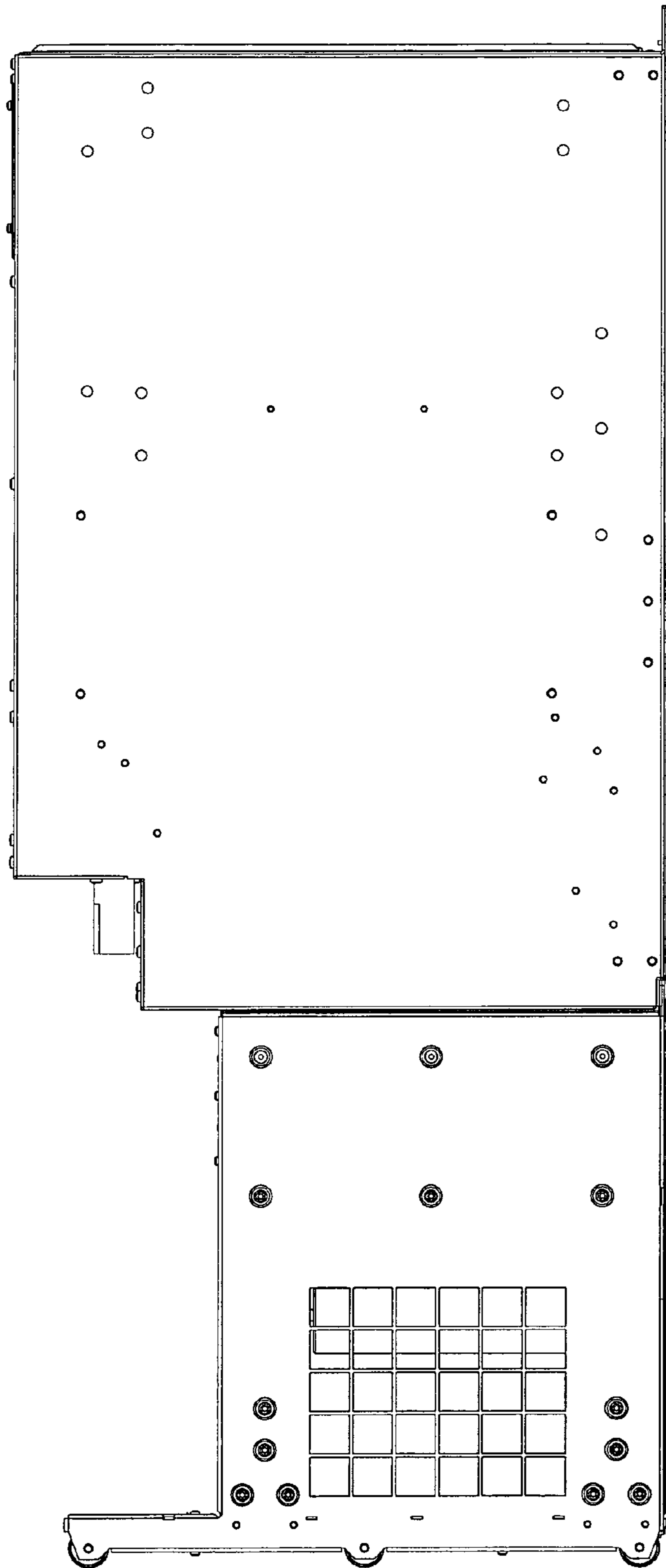


FIG. 3

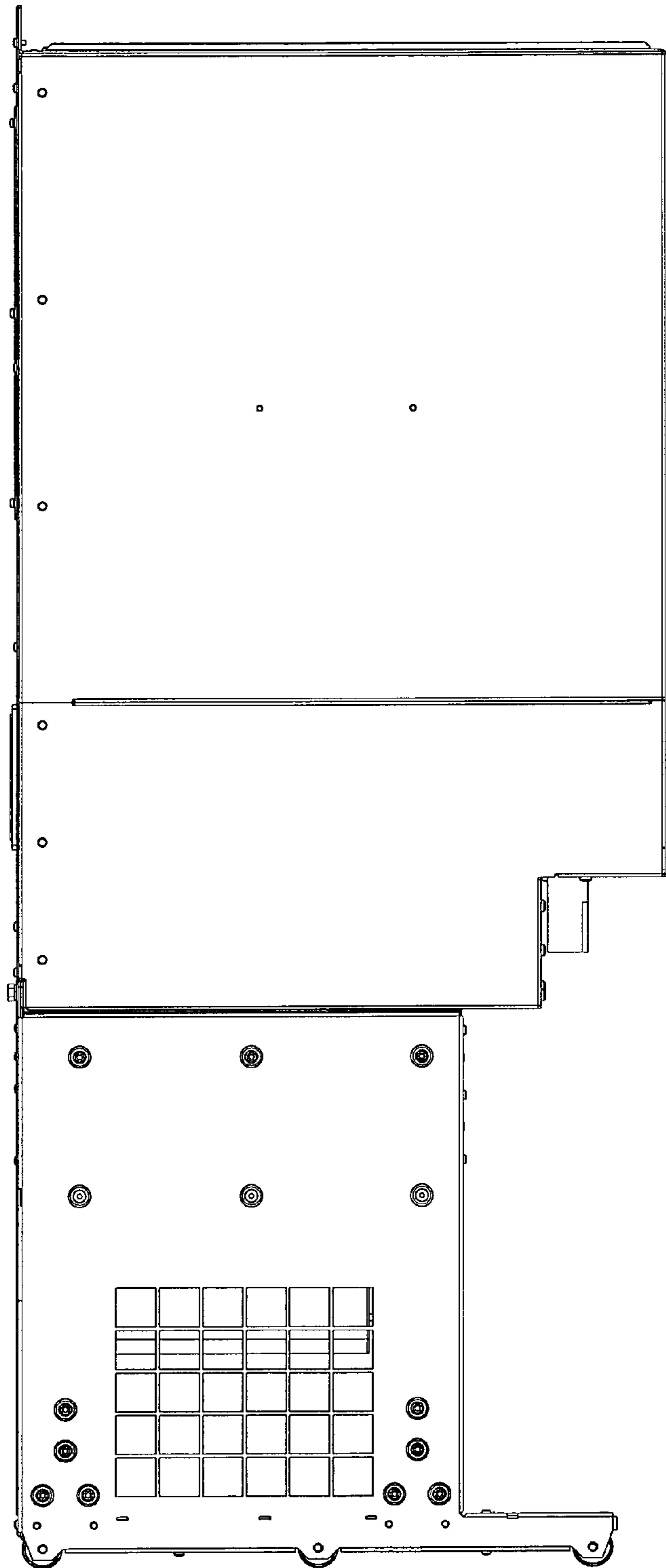


FIG. 4

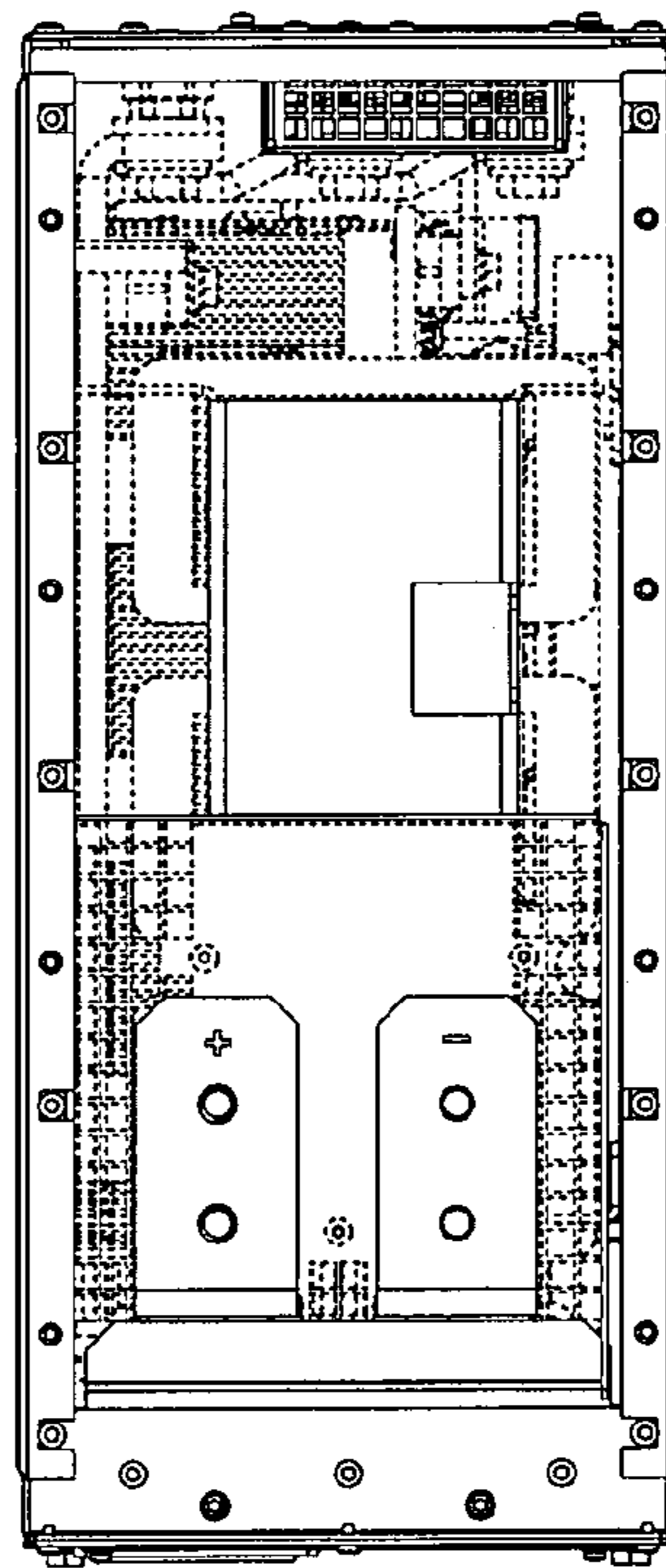


FIG. 5

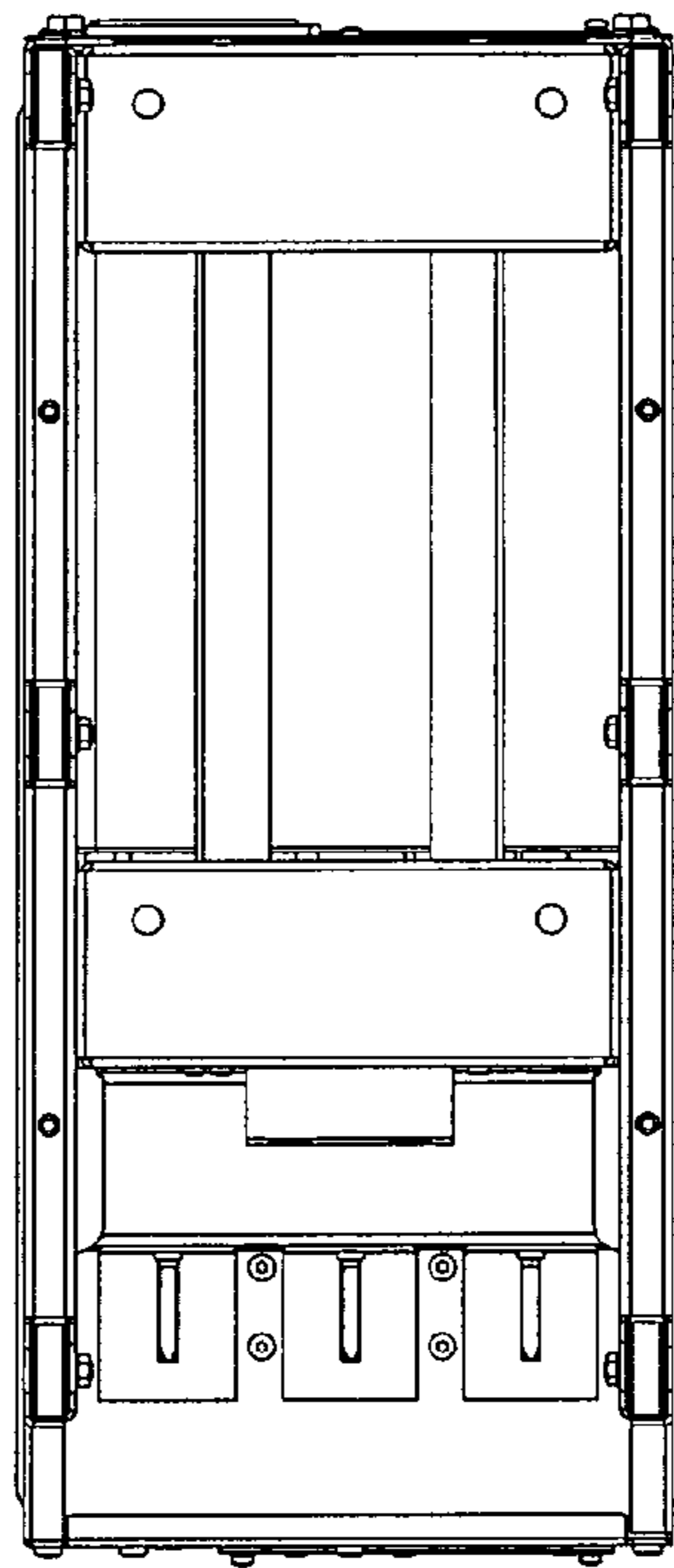


FIG. 6

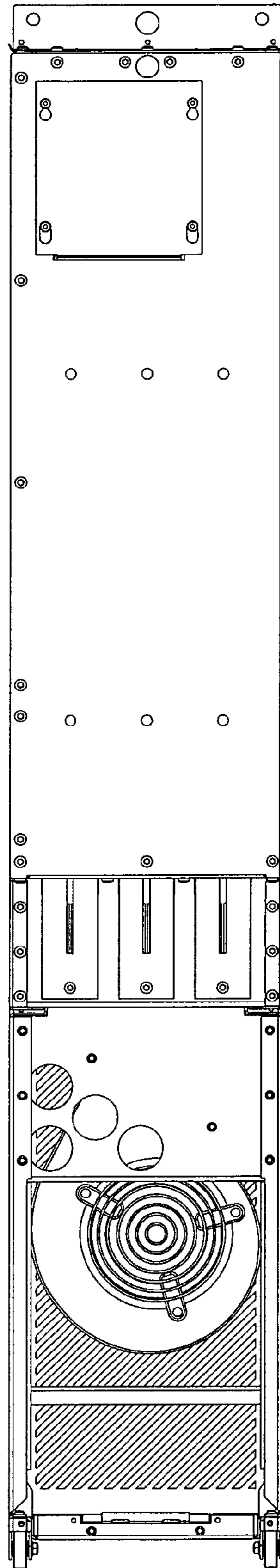


FIG. 7

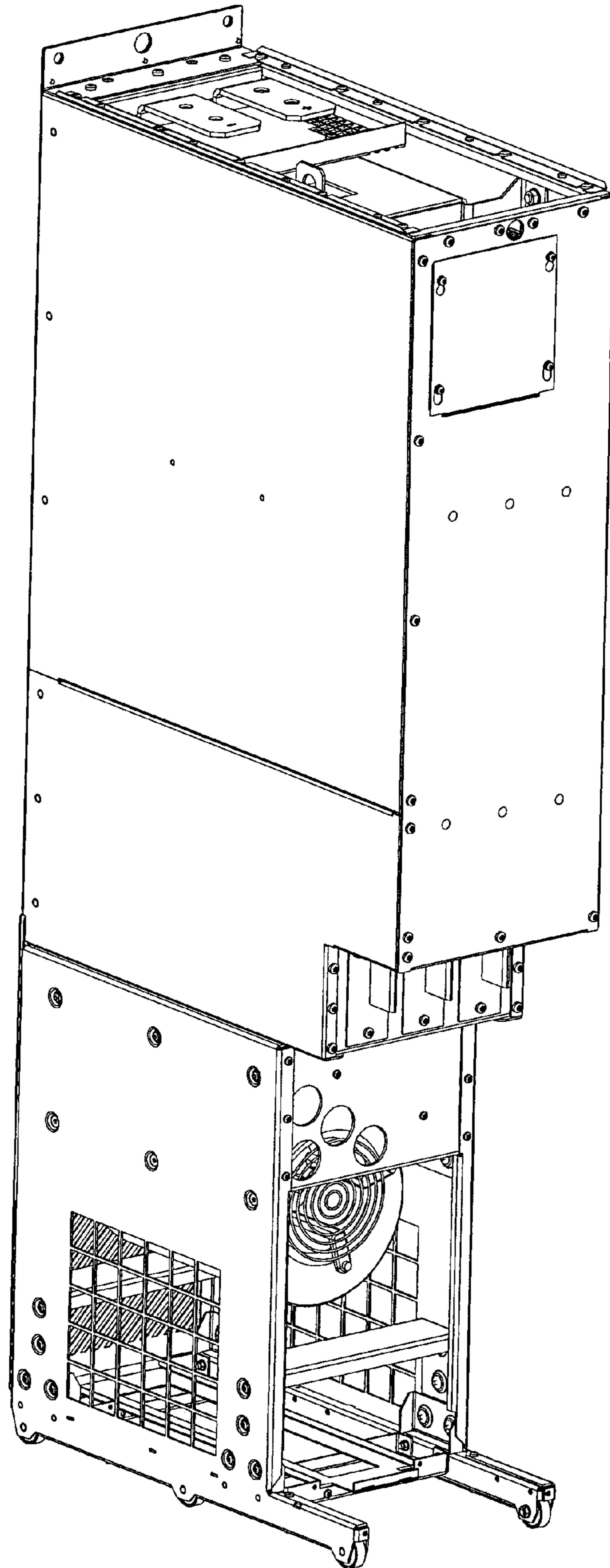


FIG. 8

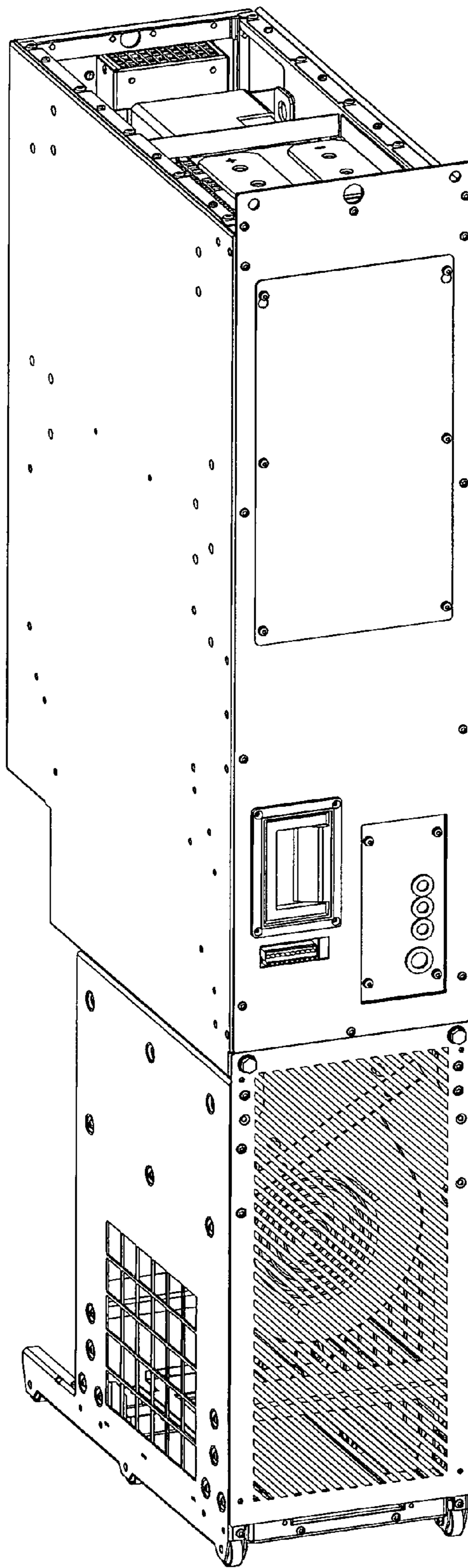


FIG. 9

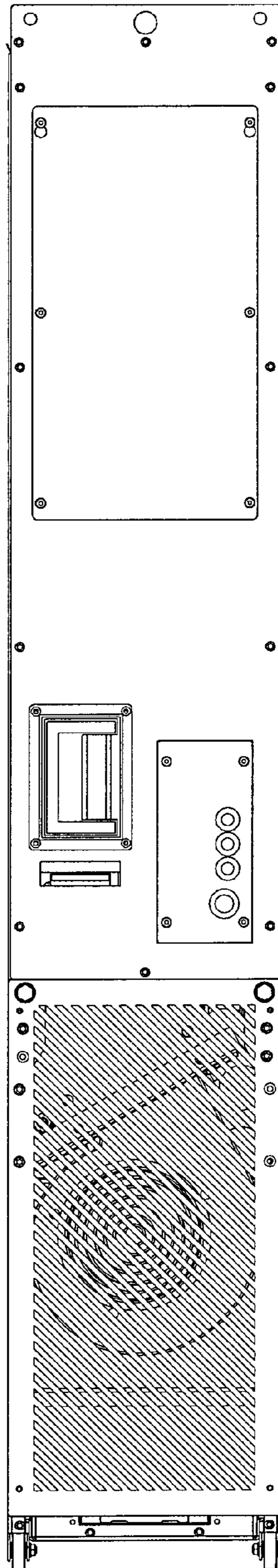


FIG. 10

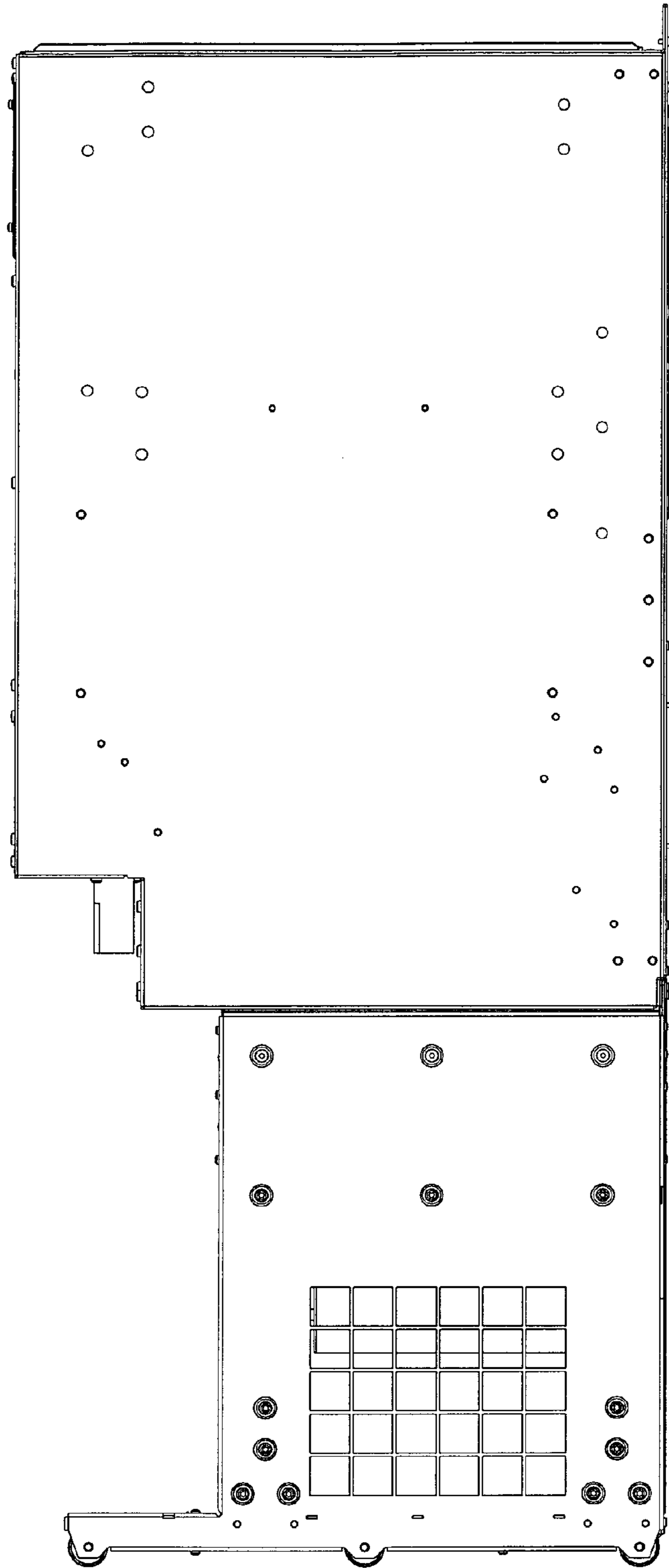


FIG. 11

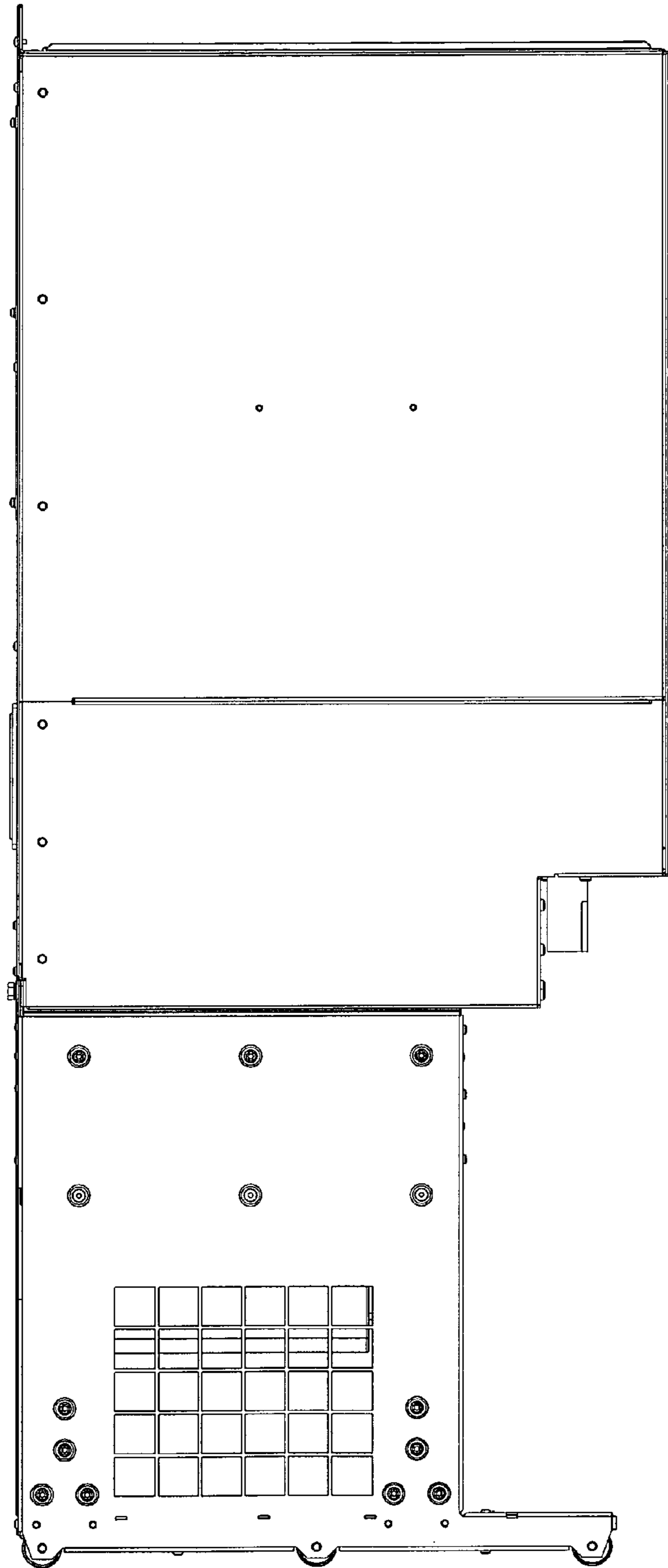


FIG. 12

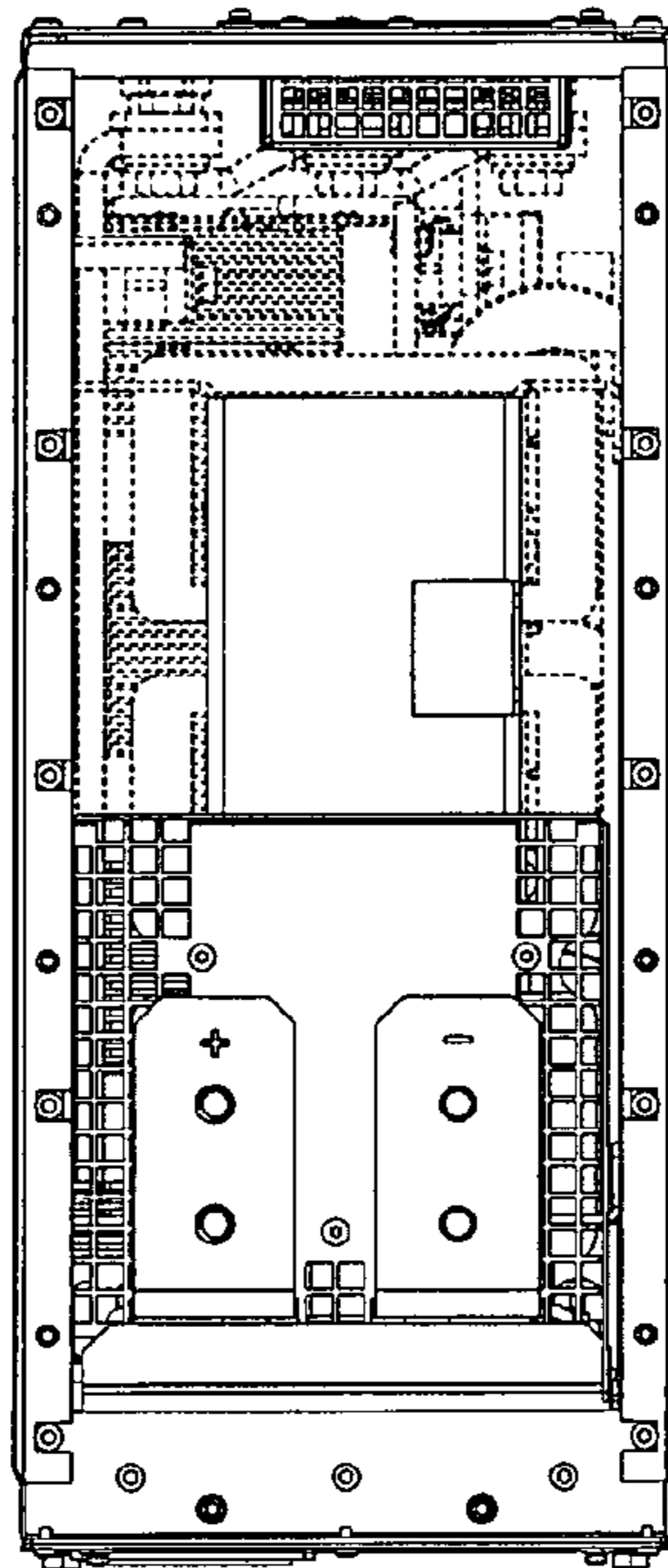


FIG. 13

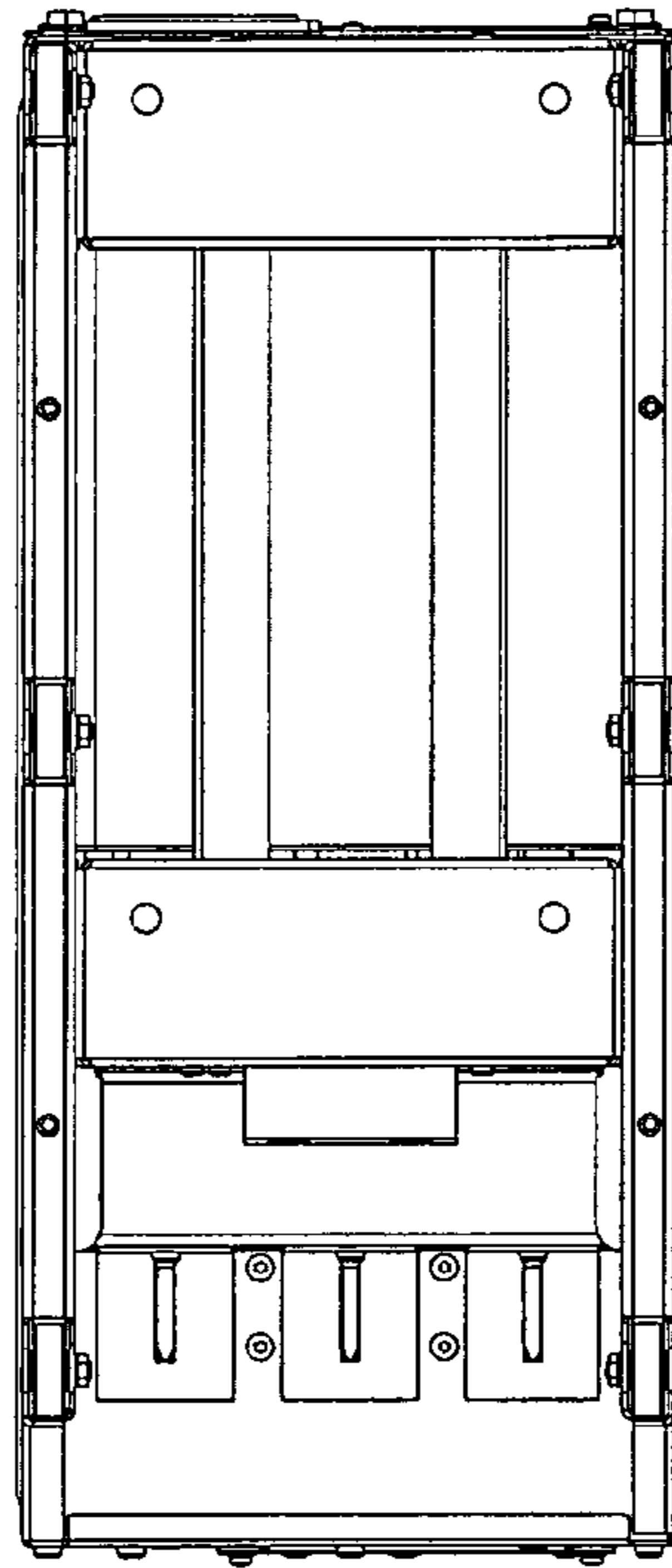


FIG. 14

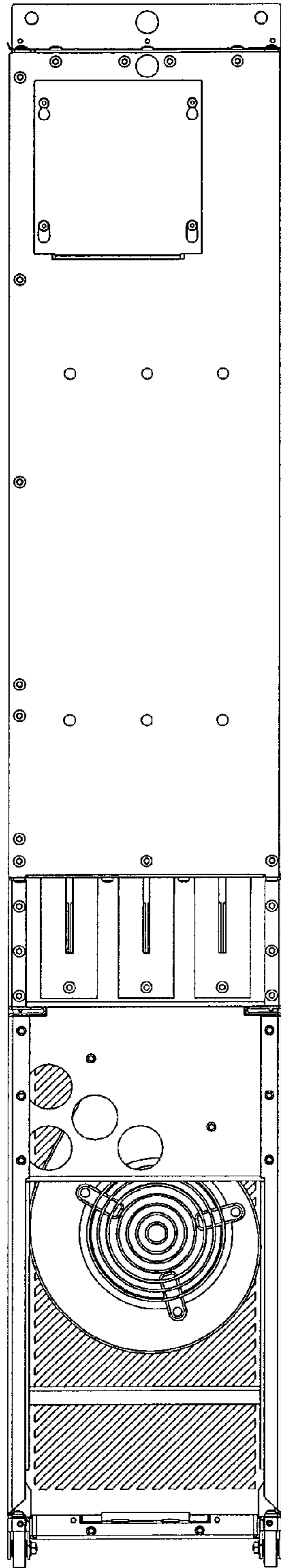


FIG. 15

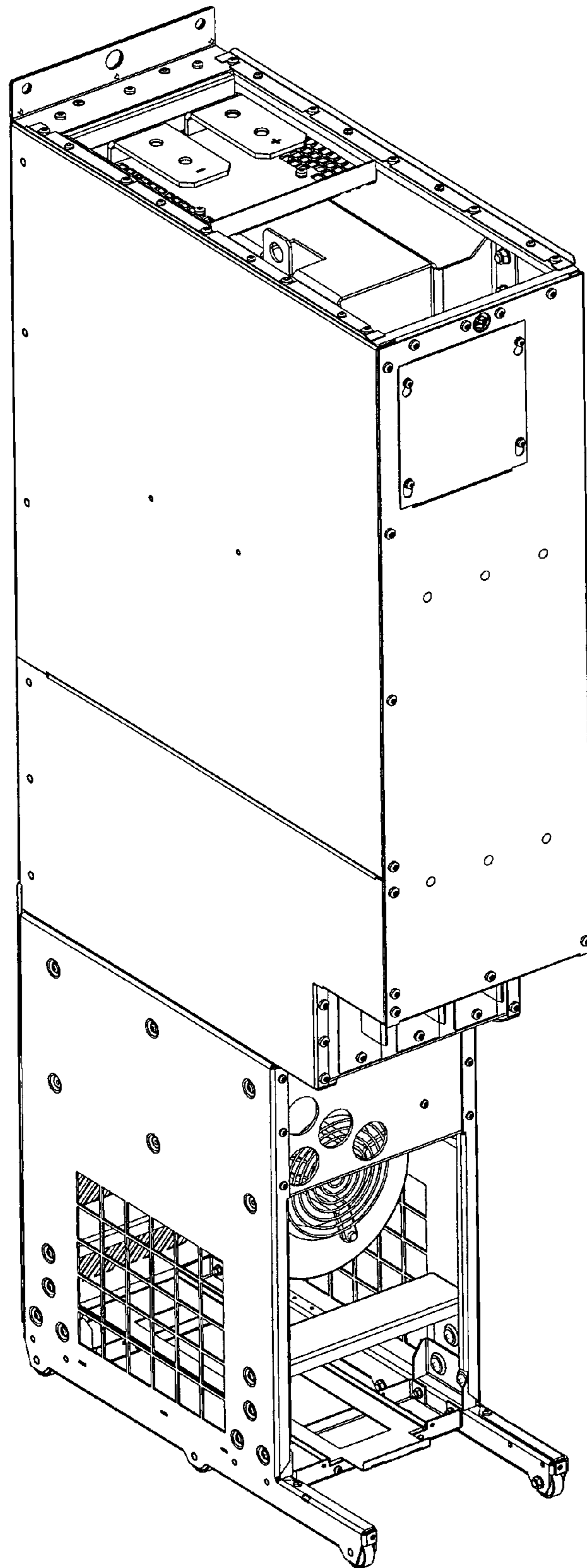


FIG. 16