



US00D691554S

(12) **United States Design Patent**  
**Tanaka**

(10) **Patent No.:** **US D691,554 S**

(45) **Date of Patent:** **\*\* Oct. 15, 2013**

(54) **SIGNAL CONVERTER**

(71) Applicant: **Yamaha Corporation**, Hamamatsu (JP)

(72) Inventor: **Soichiro Tanaka**, Shizuoka (JP)

(73) Assignee: **Yamaha Corporation**, Shizuoka (JP)

(\*\*) Term: **14 Years**

(21) Appl. No.: **29/445,098**

(22) Filed: **Feb. 7, 2013**

(30) **Foreign Application Priority Data**

Aug. 10, 2012 (JP) ..... 2012-019402

Aug. 10, 2012 (JP) ..... 2012-019404

(51) **LOC (9) Cl.** ..... **13-02**

(52) **U.S. Cl.**  
USPC ..... **D13/110**

(58) **Field of Classification Search**

USPC ..... D13/110, 118, 123, 160, 164, 184, 199;  
D14/265, 355, 441, 442, 443, 444,  
D14/445; 174/50, 53, 59; 361/600, 601,  
361/622, 676, 678, 679.01, 679.02, 683,  
361/688, 692; 363/141, 142

See application file for complete search history.

(56) **References Cited**

**U.S. PATENT DOCUMENTS**

D368,068 S \* 3/1996 Alden et al. .... D13/110  
5,793,627 A \* 8/1998 Caldes et al. .... 363/146  
D403,301 S \* 12/1998 Lehmann et al. .... D13/110  
D423,452 S \* 4/2000 Fujisawa et al. .... D13/110  
6,431,765 B1 \* 8/2002 Chen et al. .... 385/92  
D475,681 S \* 6/2003 Ho ..... D13/118

D551,165 S \* 9/2007 Albano et al. .... D13/110  
D585,374 S \* 1/2009 Kim ..... D13/123  
D615,037 S \* 5/2010 Liu et al. .... D13/110  
D661,249 S \* 6/2012 Smith et al. .... D13/110

**OTHER PUBLICATIONS**

Office Action dated Jan. 8, 2013, issued by the Japanese Patent Office in counterpart Japanese Design Application No. 2012-019404.

\* cited by examiner

*Primary Examiner* — Derrick Holland

(74) *Attorney, Agent, or Firm* — Sughrue Mion, PLLC

(57) **CLAIM**

The ornamental design for a signal converter, as shown and described.

**DESCRIPTION**

FIG. 1 is a front perspective view of the front, top and right side of a signal converter according to a first embodiment showing my new design;

FIG. 2 is a front view thereof;

FIG. 3 is a rear view thereof;

FIG. 4 is a left side view thereof;

FIG. 5 is a right side view thereof;

FIG. 6 is a top plan view thereof;

FIG. 7 is a bottom view thereof;

FIG. 8 is a front perspective view of the front, top and right side of a signal converter according to a second embodiment showing my new design;

FIG. 9 is a front view thereof;

FIG. 10 is a rear view thereof;

FIG. 11 is a left side view thereof;

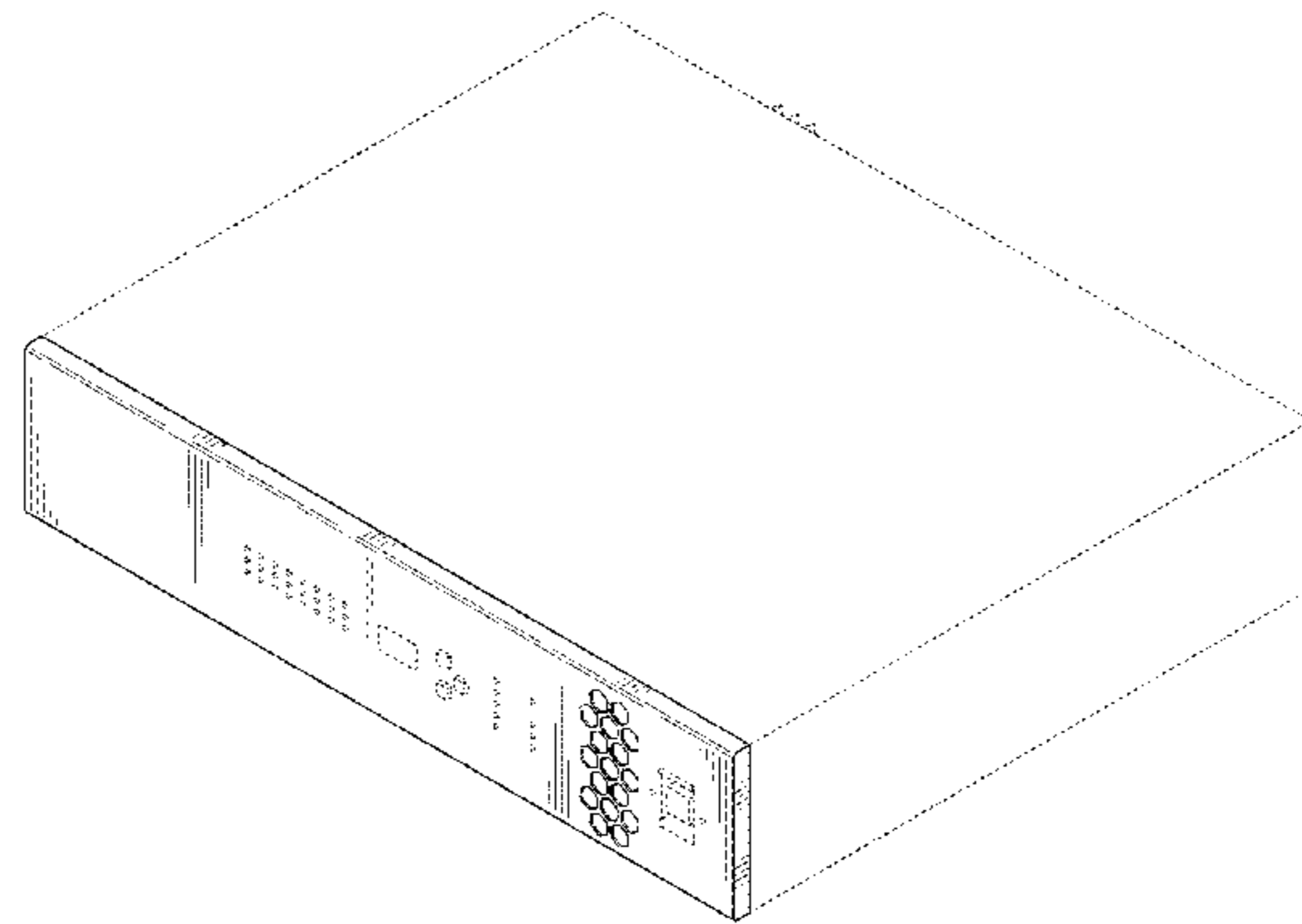
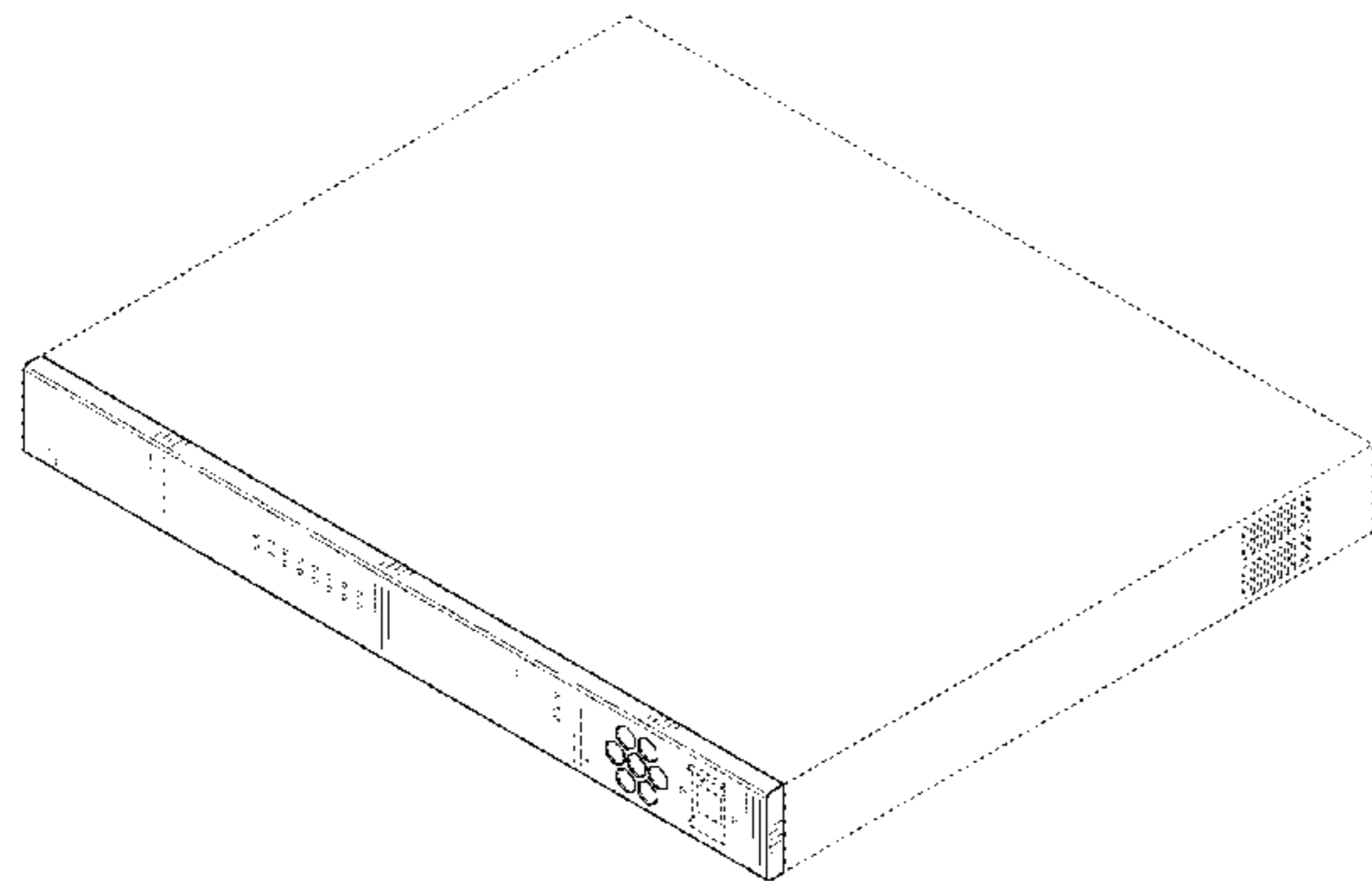
FIG. 12 is a right side view thereof;

FIG. 13 is a top plan view thereof; and,

FIG. 14 is a bottom view thereof.

The broken lines shown represent unclaimed subject matter and form no part of the claimed design.

**1 Claim, 6 Drawing Sheets**



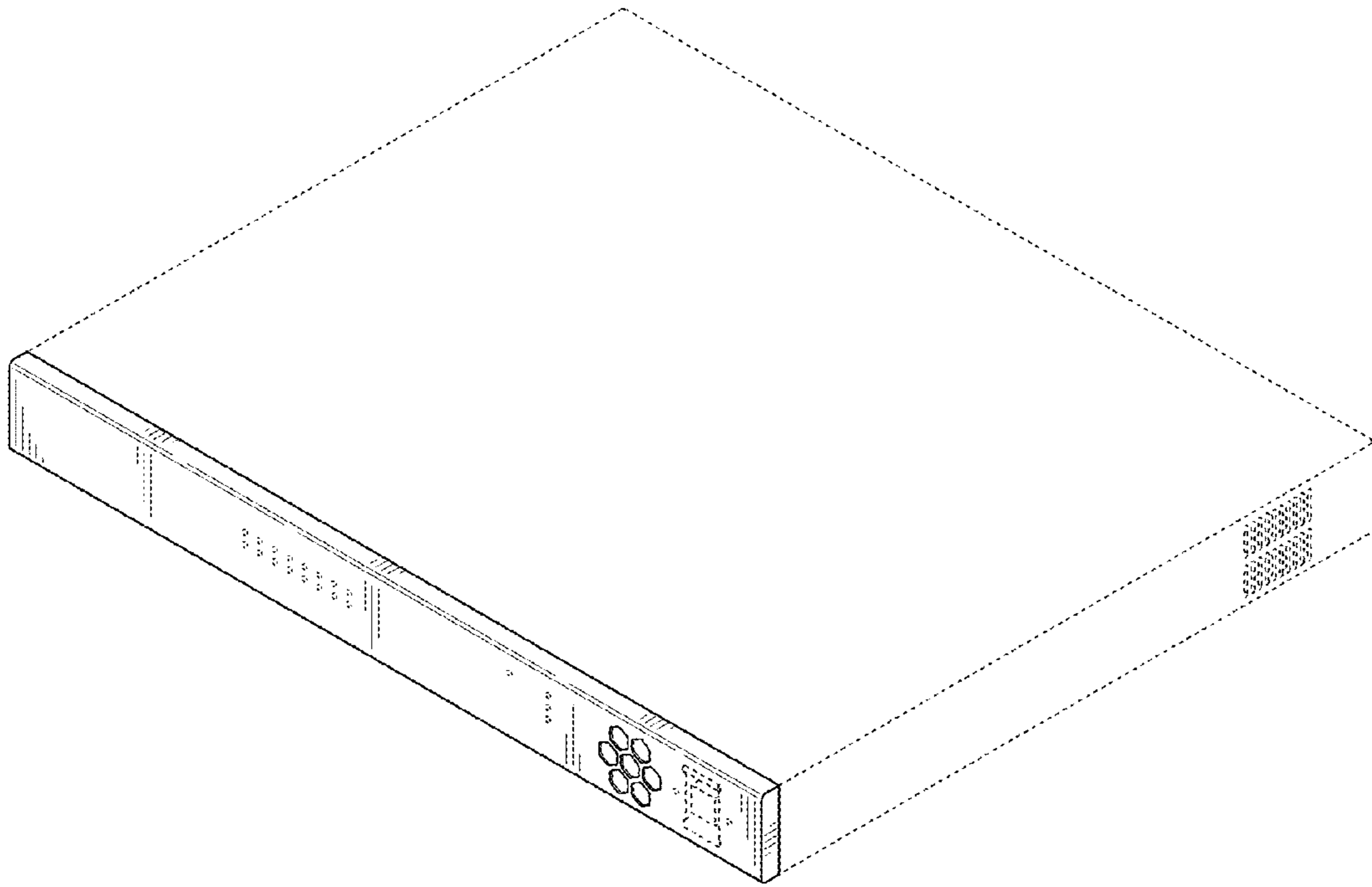


FIG. 1

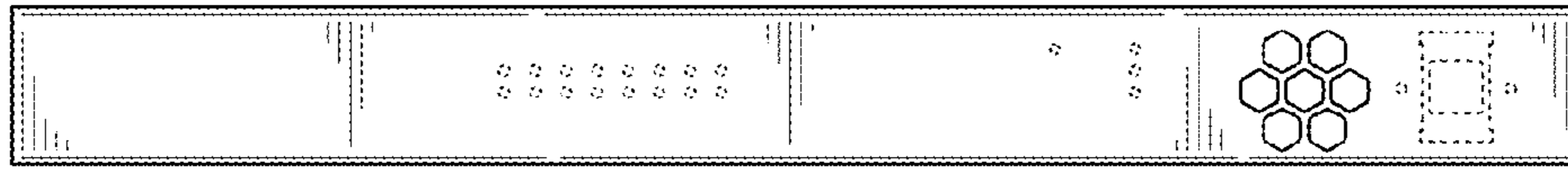


FIG. 2

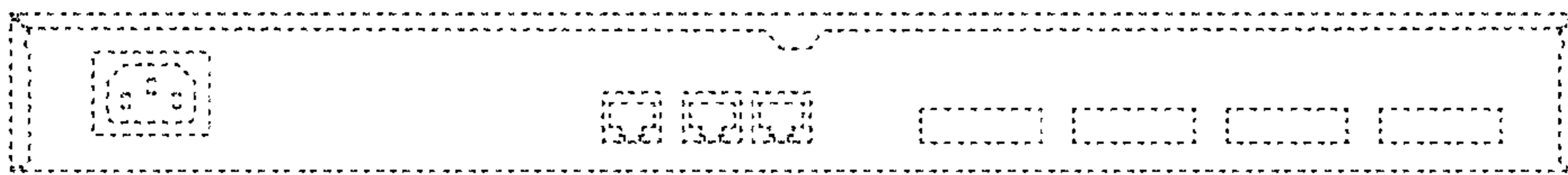


FIG. 3



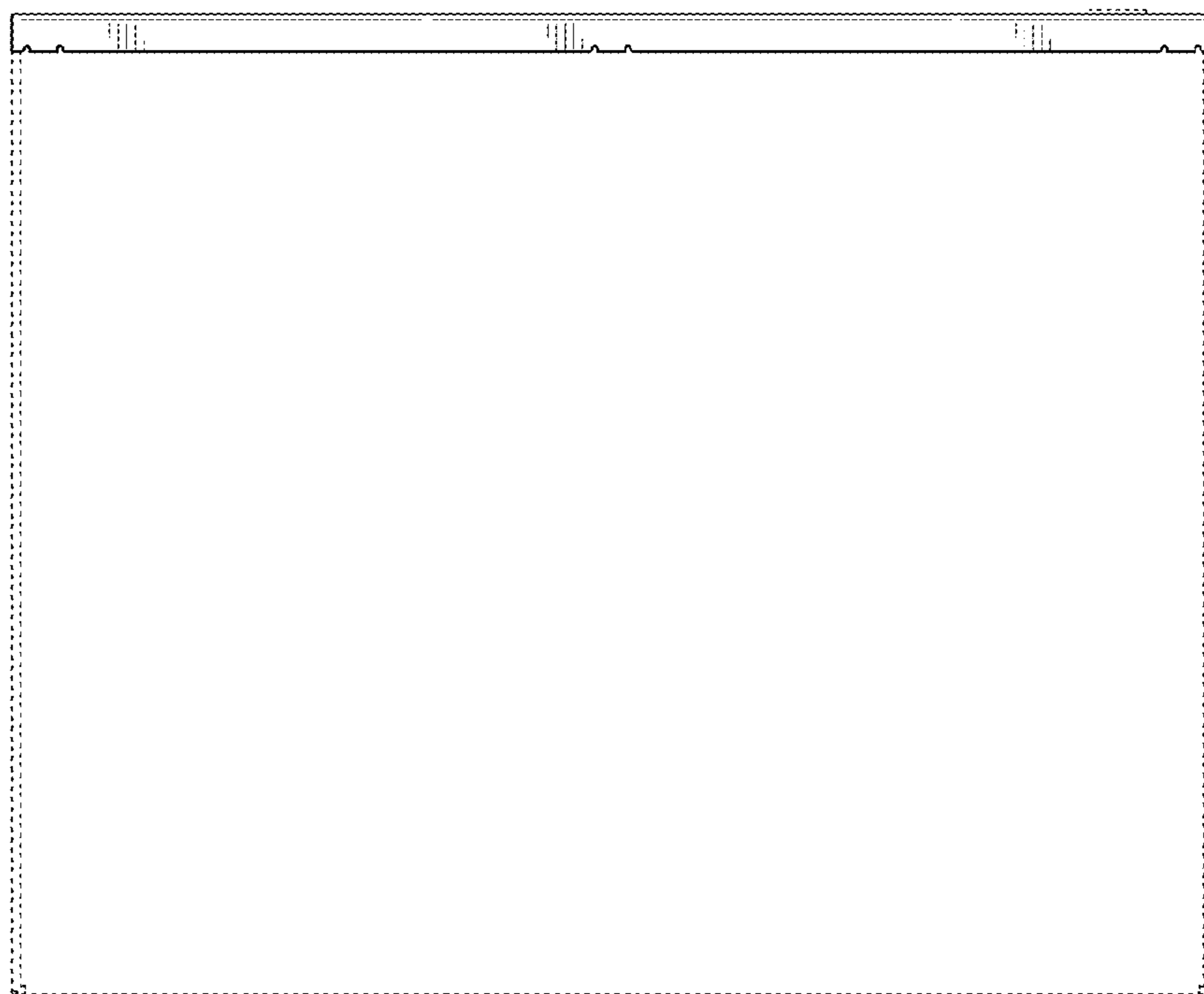
FIG. 4



FIG. 5



*FIG. 6*



*FIG. 7*

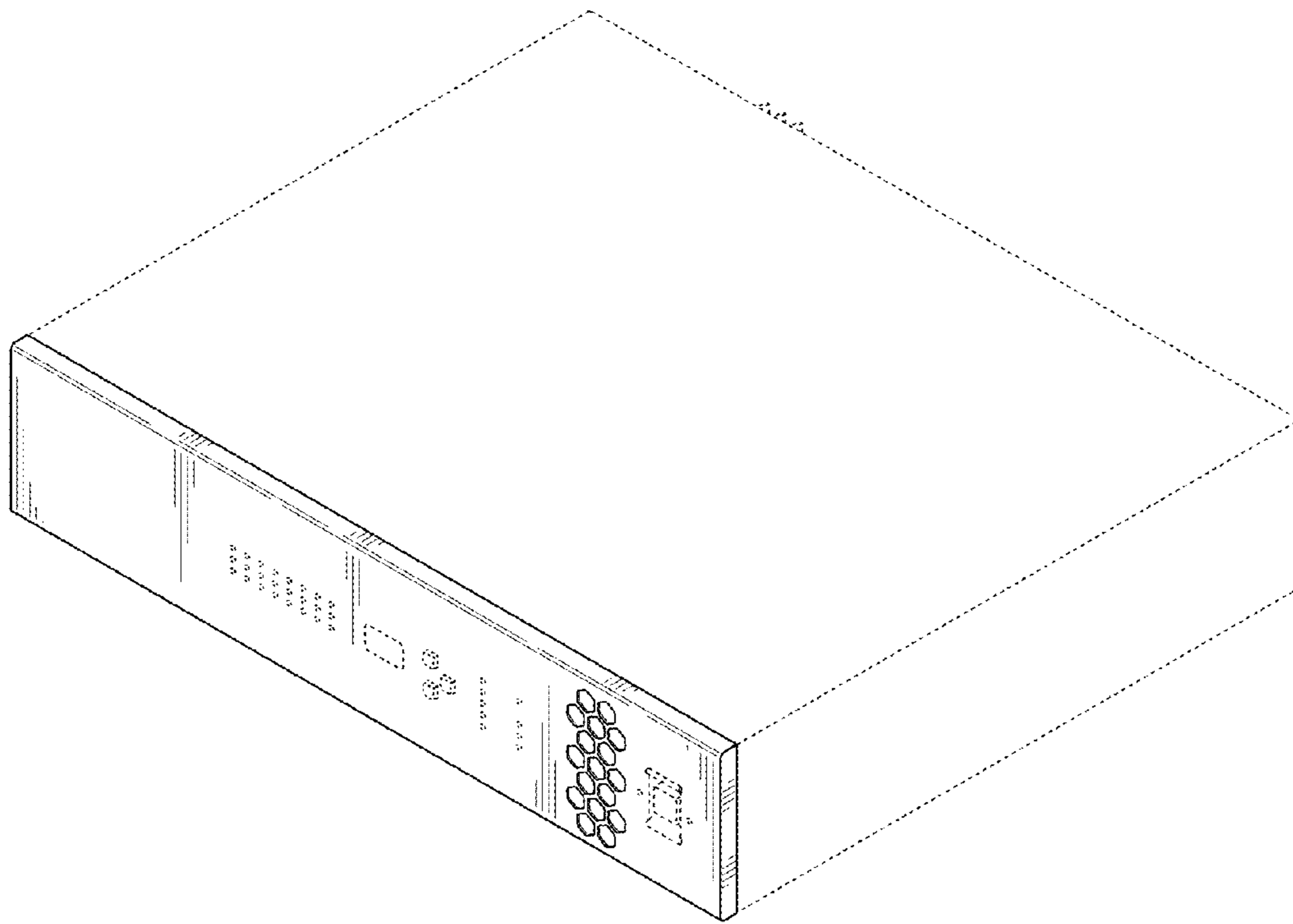


FIG. 8

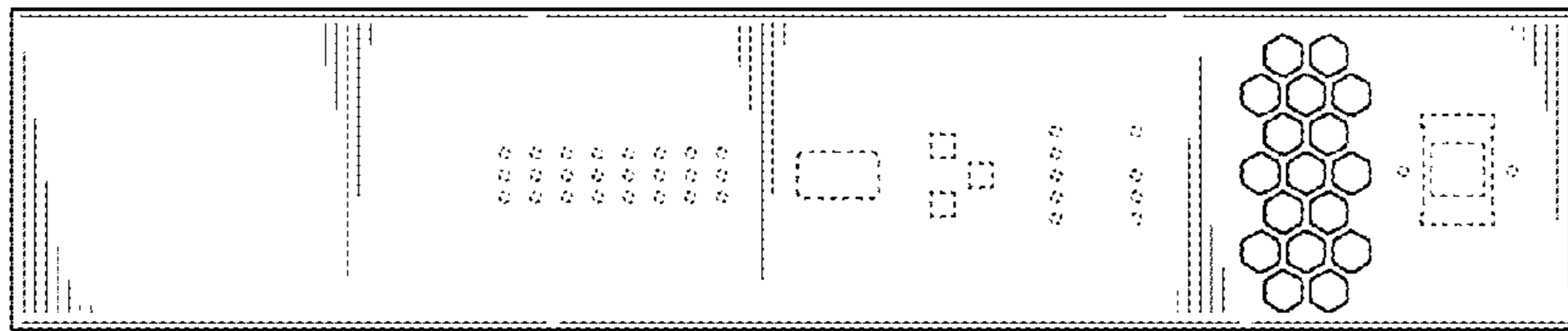


FIG. 9

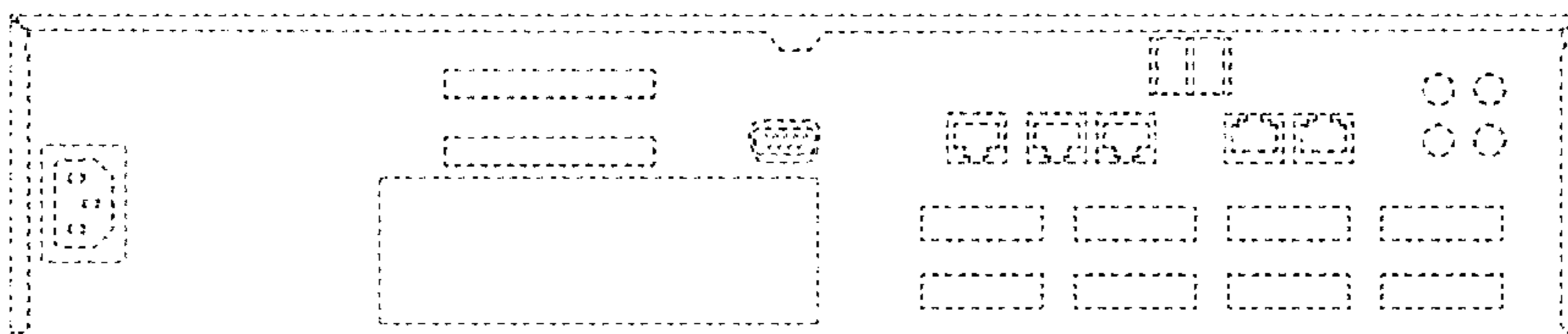


FIG. 10

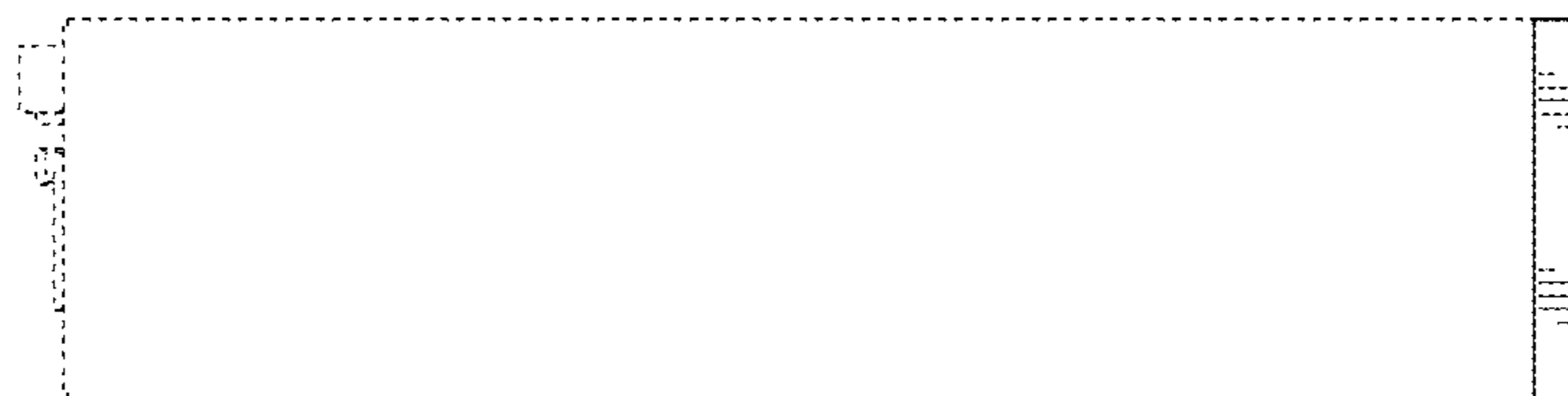


FIG. 11

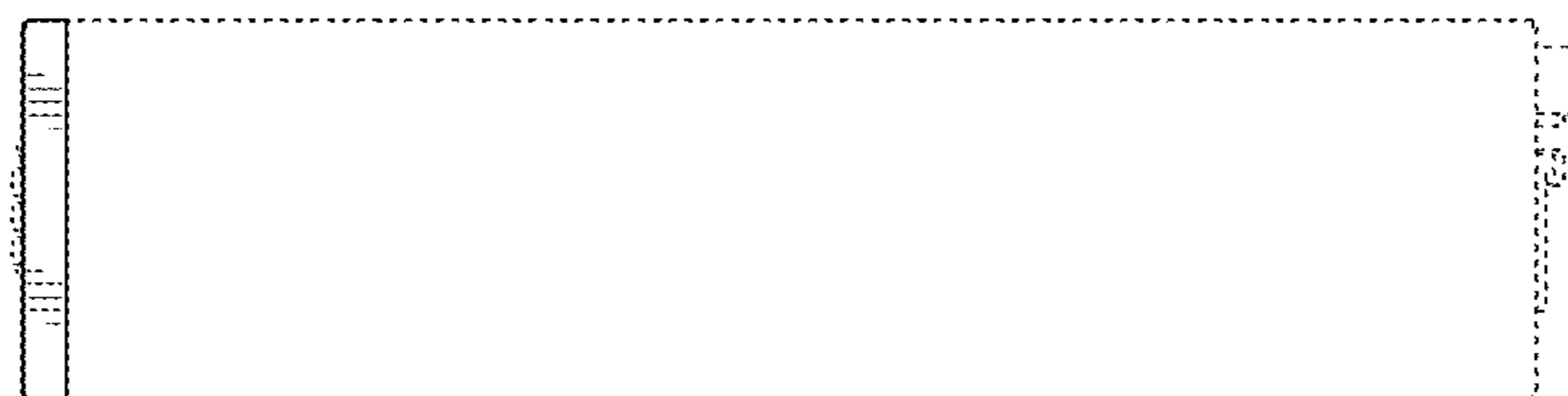
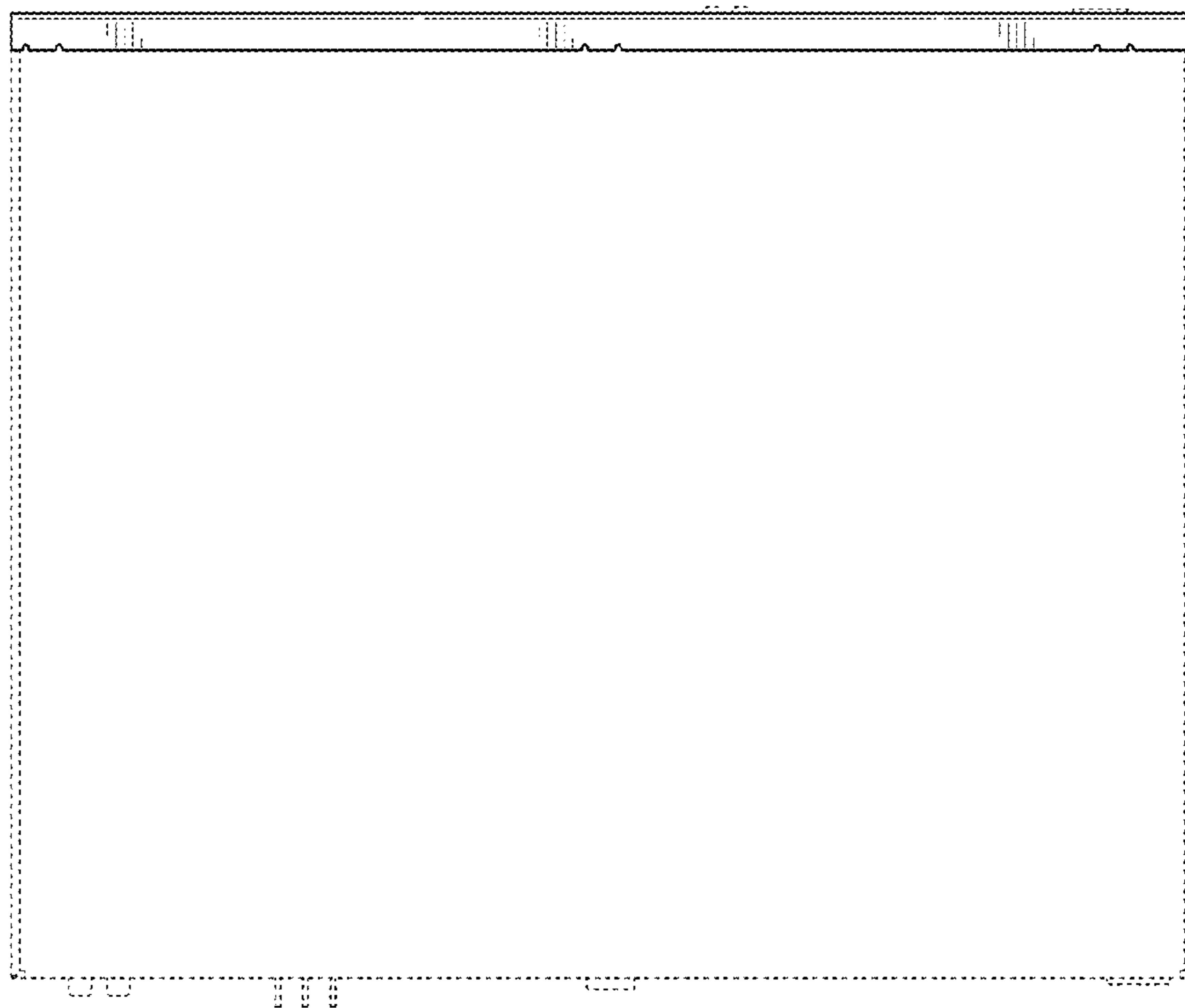


FIG. 12



*FIG. 13*



*FIG. 14*