



US00D691553S

(12) **United States Design Patent**
Deoksang et al.

(10) **Patent No.:** **US D691,553 S**

(45) **Date of Patent:** **** Oct. 15, 2013**

(54) **CHARGER FOR VACUUM CLEANER**

(56) **References Cited**

(71) Applicant: **Samsung Electronics Co., Ltd.**,
Suwon-si (KR)

U.S. PATENT DOCUMENTS

(72) Inventors: **Yun Deoksang**, Ansan-si (KR); **Chun Dongwon**, Paju-si (KR)

6,018,230	A	*	1/2000	Casey	320/114
D474,735	S	*	5/2003	Lee	D13/108
D510,066	S	*	9/2005	Hickey et al.	D13/108
D588,059	S	*	3/2009	Fujita et al.	D13/108
D639,237	S	*	6/2011	Lee et al.	D13/108
D639,735	S	*	6/2011	Lee et al.	D13/108
8,106,626	B2	*	1/2012	Li et al.	320/109
D675,154	S	*	1/2013	Nam et al.	D13/108

(73) Assignee: **Samsung Electronics Co., Ltd.**,
Suwon-Si (KR)

* cited by examiner

(**) Term: **14 Years**

Primary Examiner — Rosemary K Tarcza

(21) Appl. No.: **29/445,204**

(74) *Attorney, Agent, or Firm* — Ladas & Parry LLP

(22) Filed: **Feb. 8, 2013**

(57) **CLAIM**

The ornamental design for a charger for vacuum cleaner, as shown and described.

(30) **Foreign Application Priority Data**

DESCRIPTION

Aug. 30, 2012 (KR) 30-2012-0041652

(51) **LOC (9) Cl.** **13-02**

(52) **U.S. Cl.**
USPC **D13/108**

(58) **Field of Classification Search**
USPC D13/107–110, 118–119, 184, 199;
D14/217, 251, 253, 432, 434;
320/107–115

FIG. 1 is a front/right-side/top perspective view of a charger for vacuum cleaner showing our new design; FIG. 2 is a front-side elevational view thereof; FIG. 3 is a rear-side elevational view thereof; FIG. 4 is a left-side elevational view thereof; FIG. 5 is a right-side elevational view thereof; FIG. 6 is a top-side elevational view thereof; and, FIG. 7 is a bottom-side elevational view thereof.

The broken lines shown in the drawings are included for the purpose of illustrating environmental structure and form no part of the claimed design.

See application file for complete search history.

1 Claim, 5 Drawing Sheets

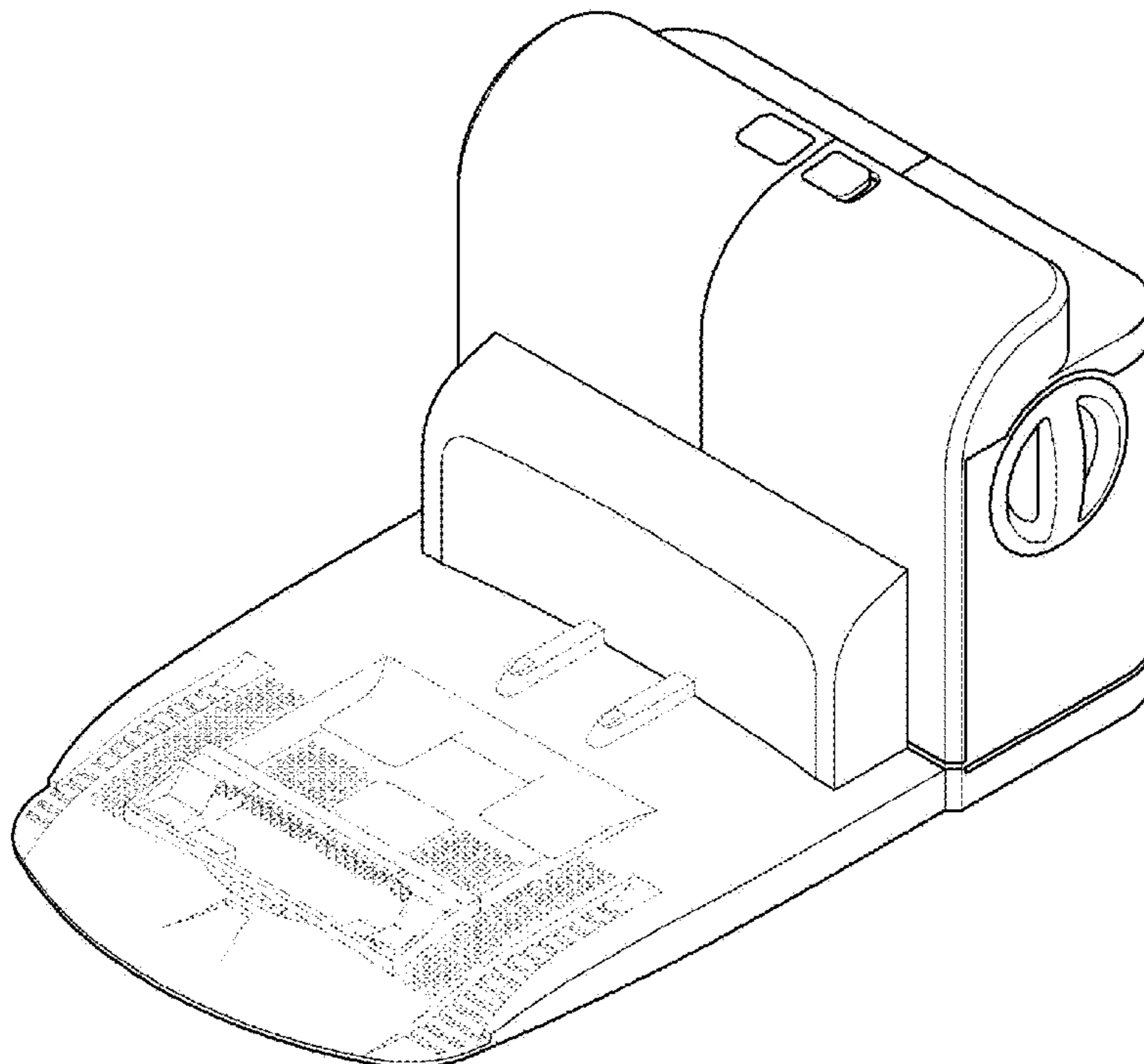


FIG. 1

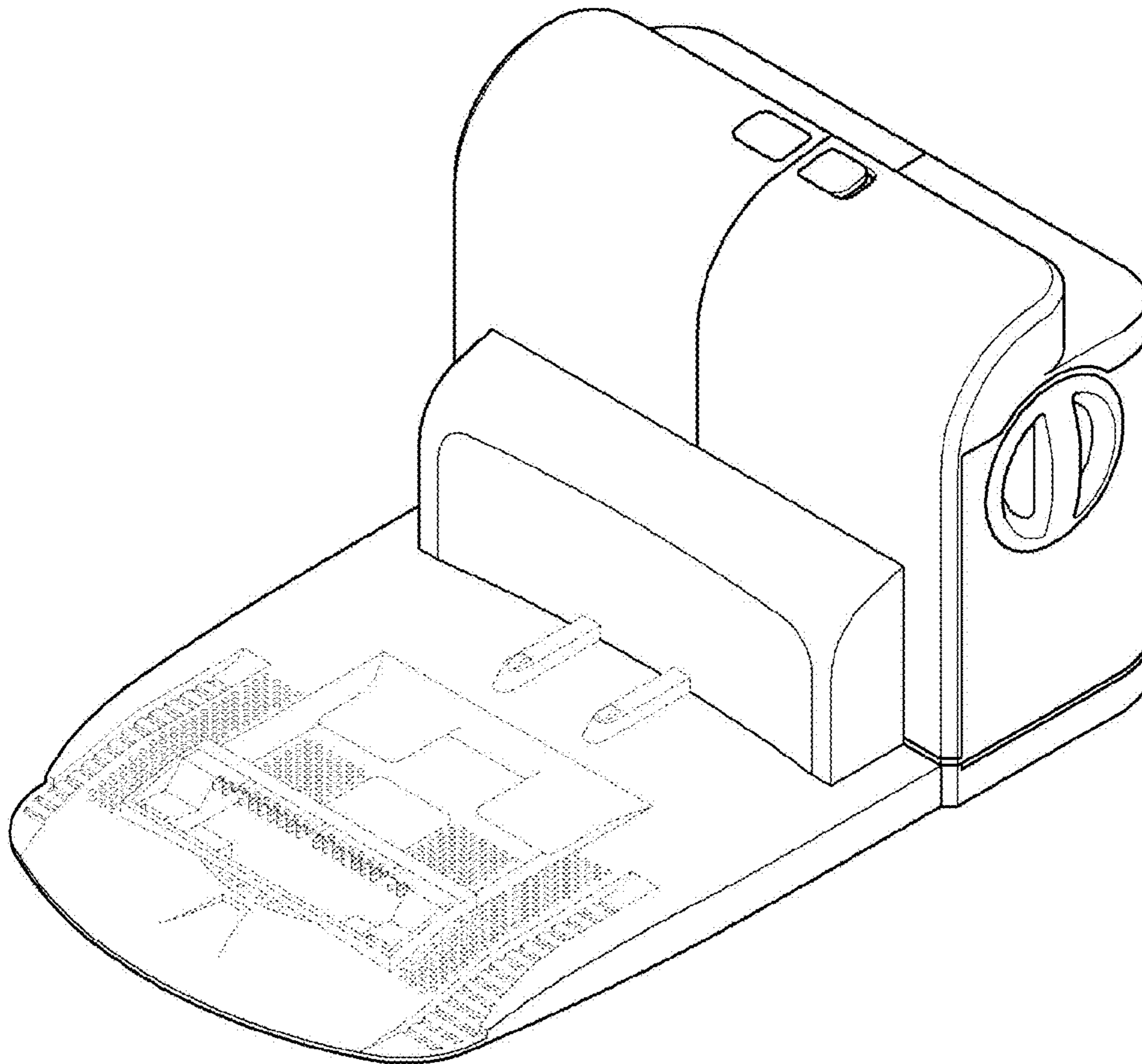


FIG. 2

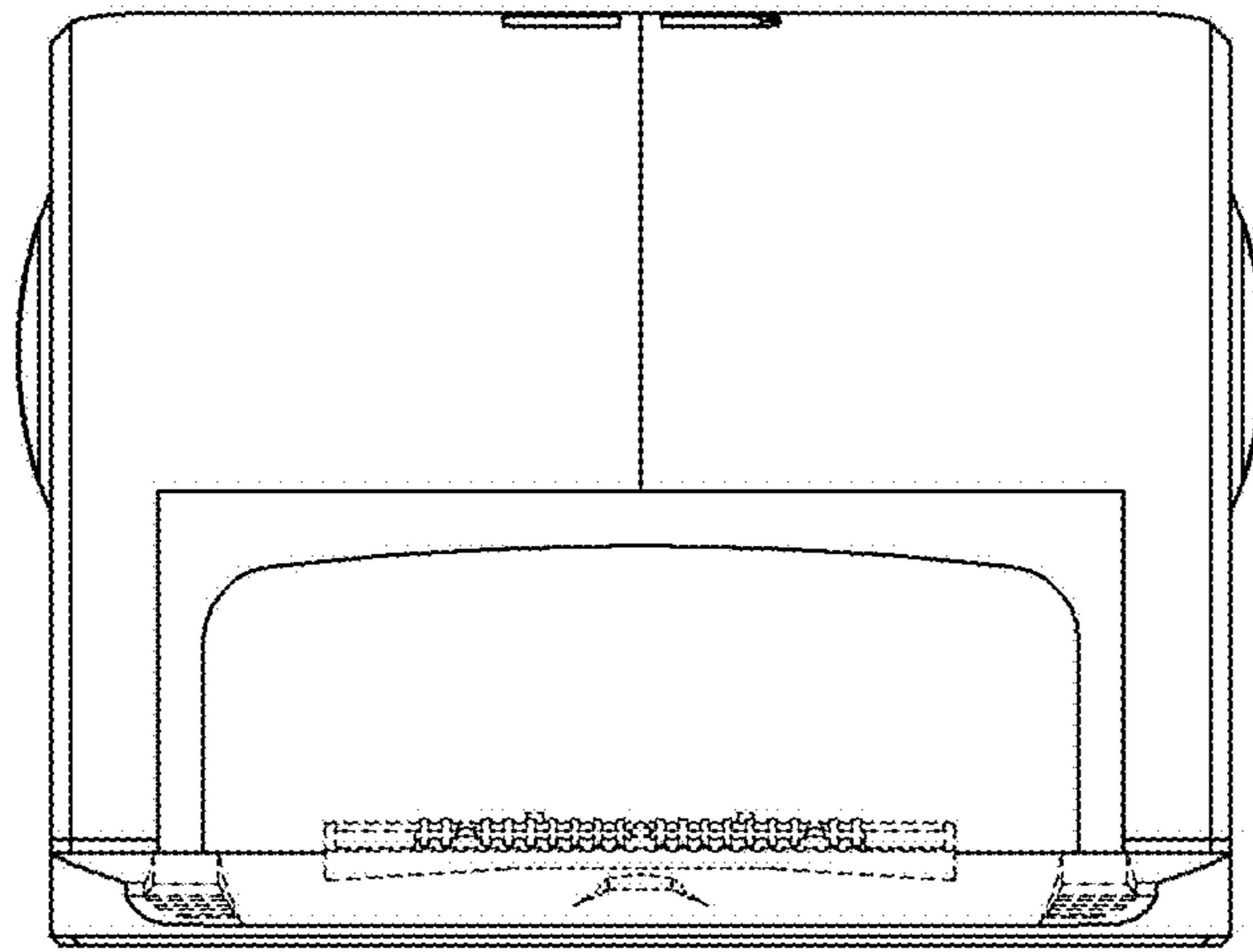


FIG. 3

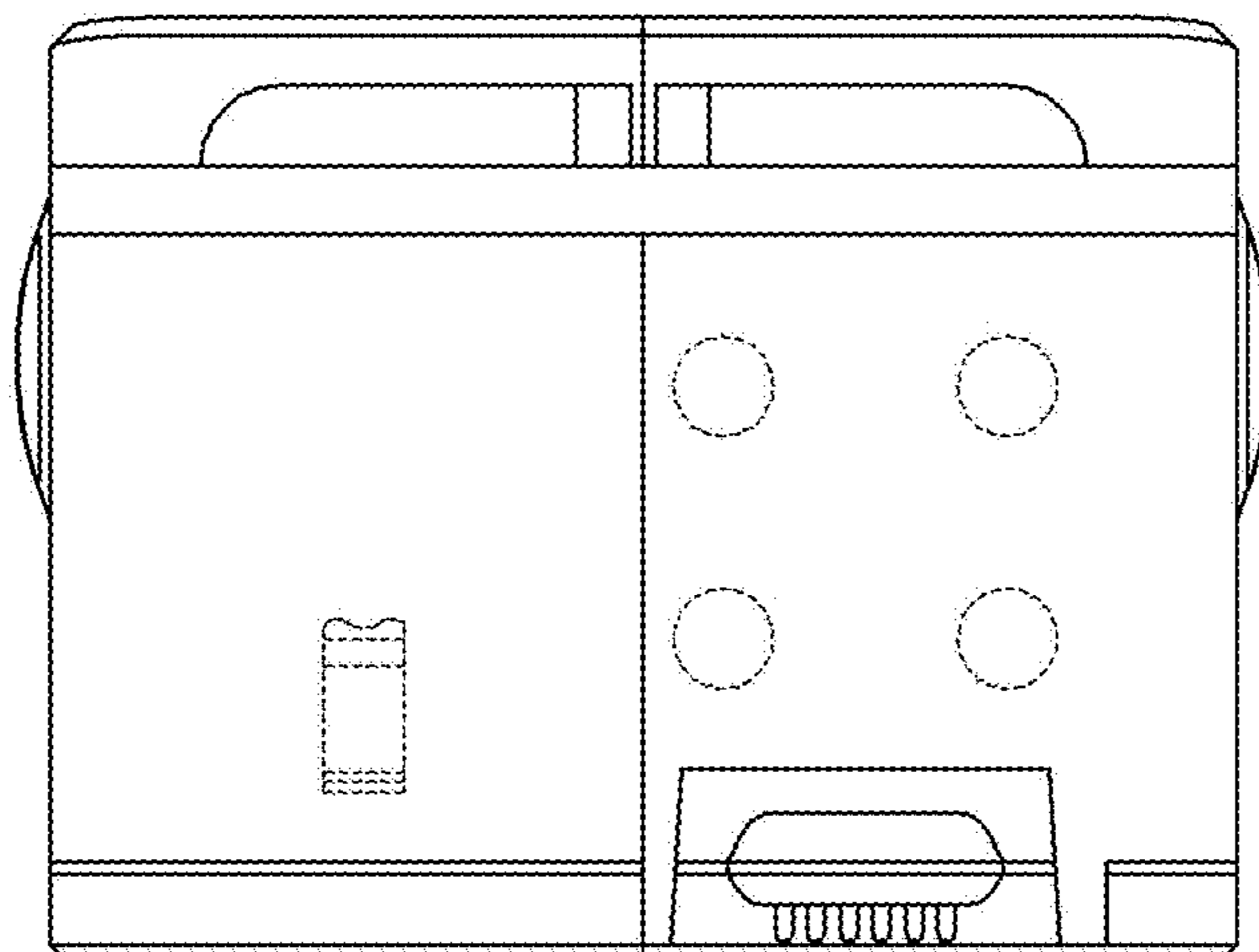


FIG. 4

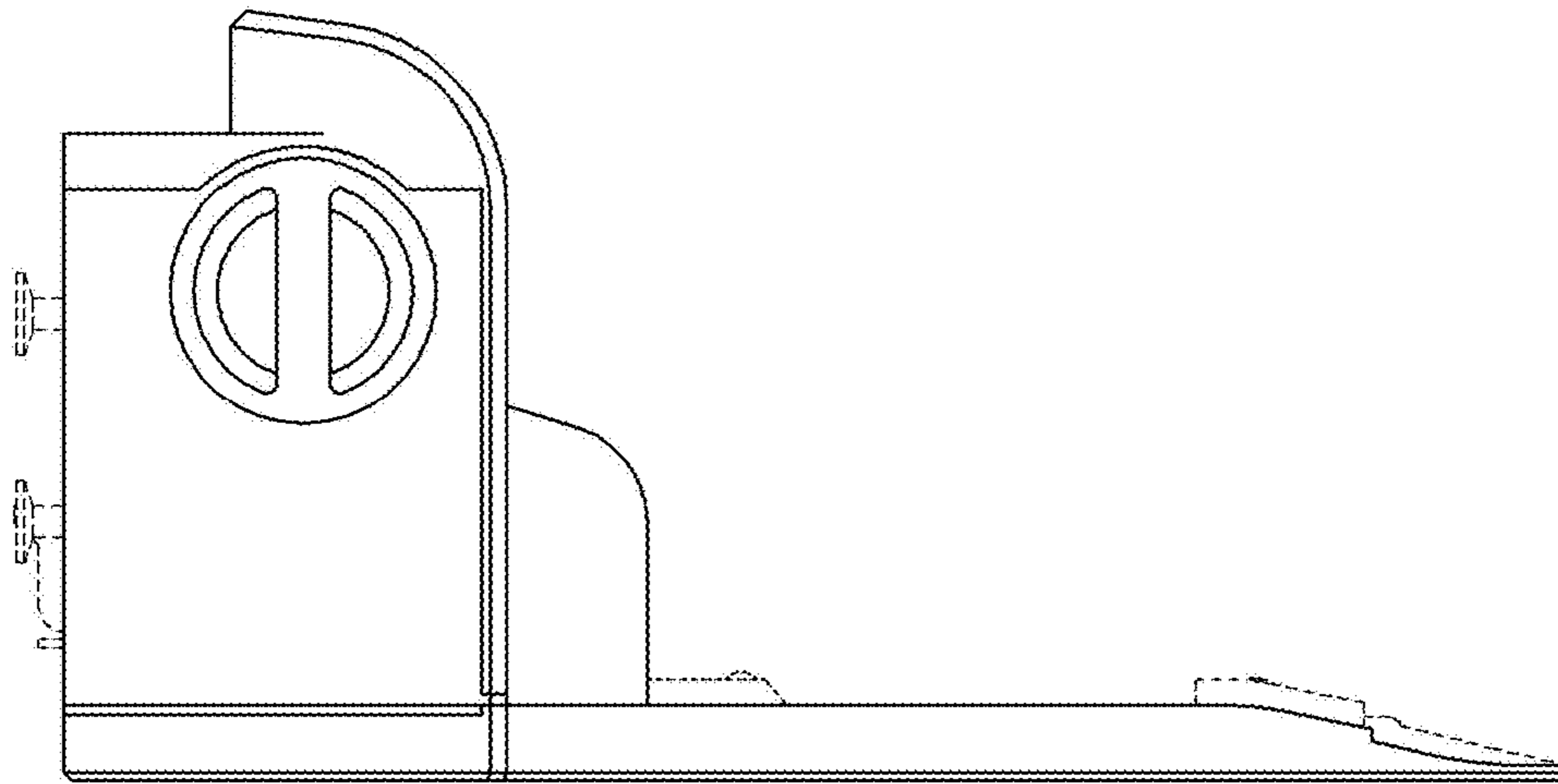


FIG. 5

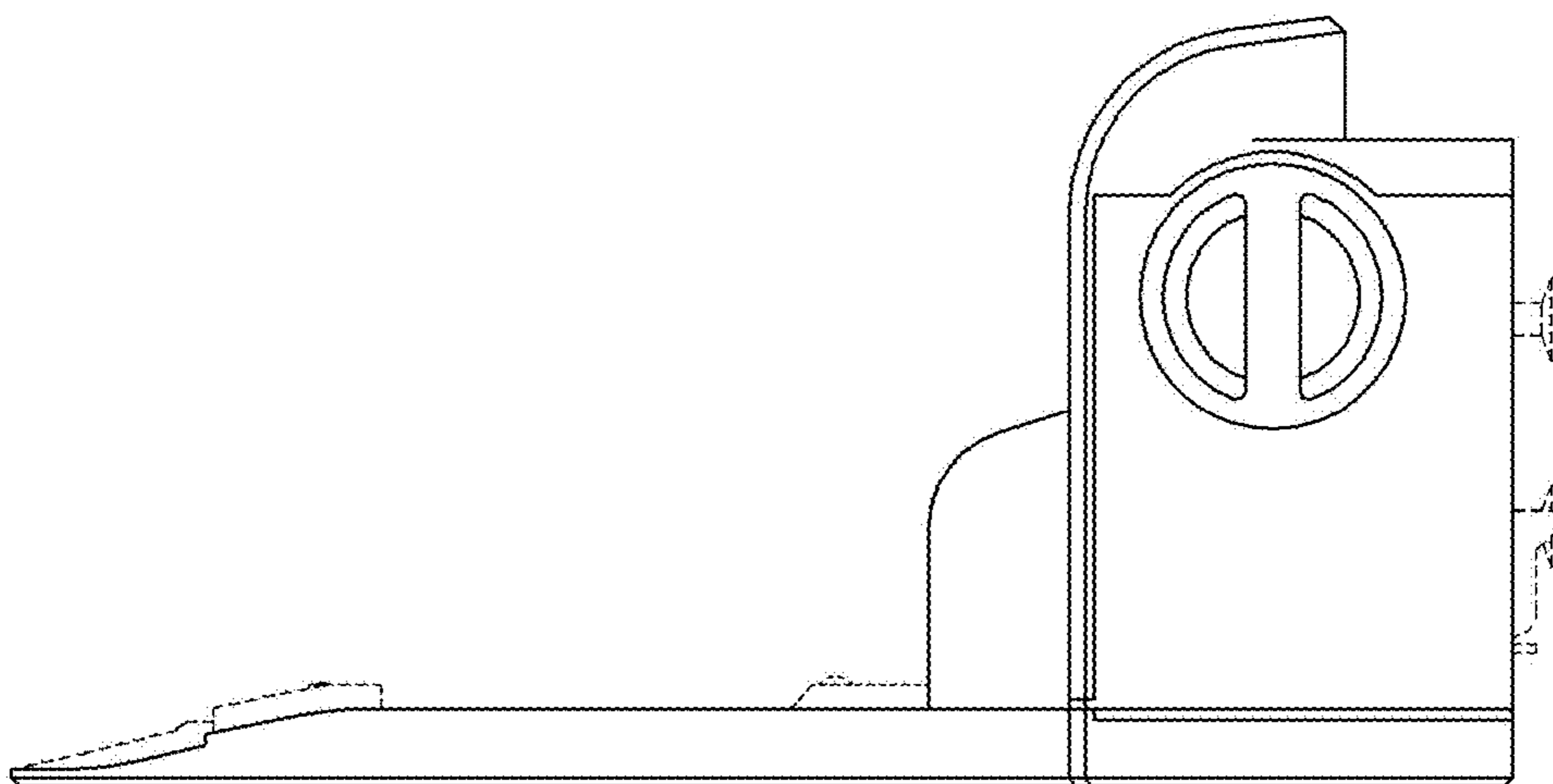


FIG. 6

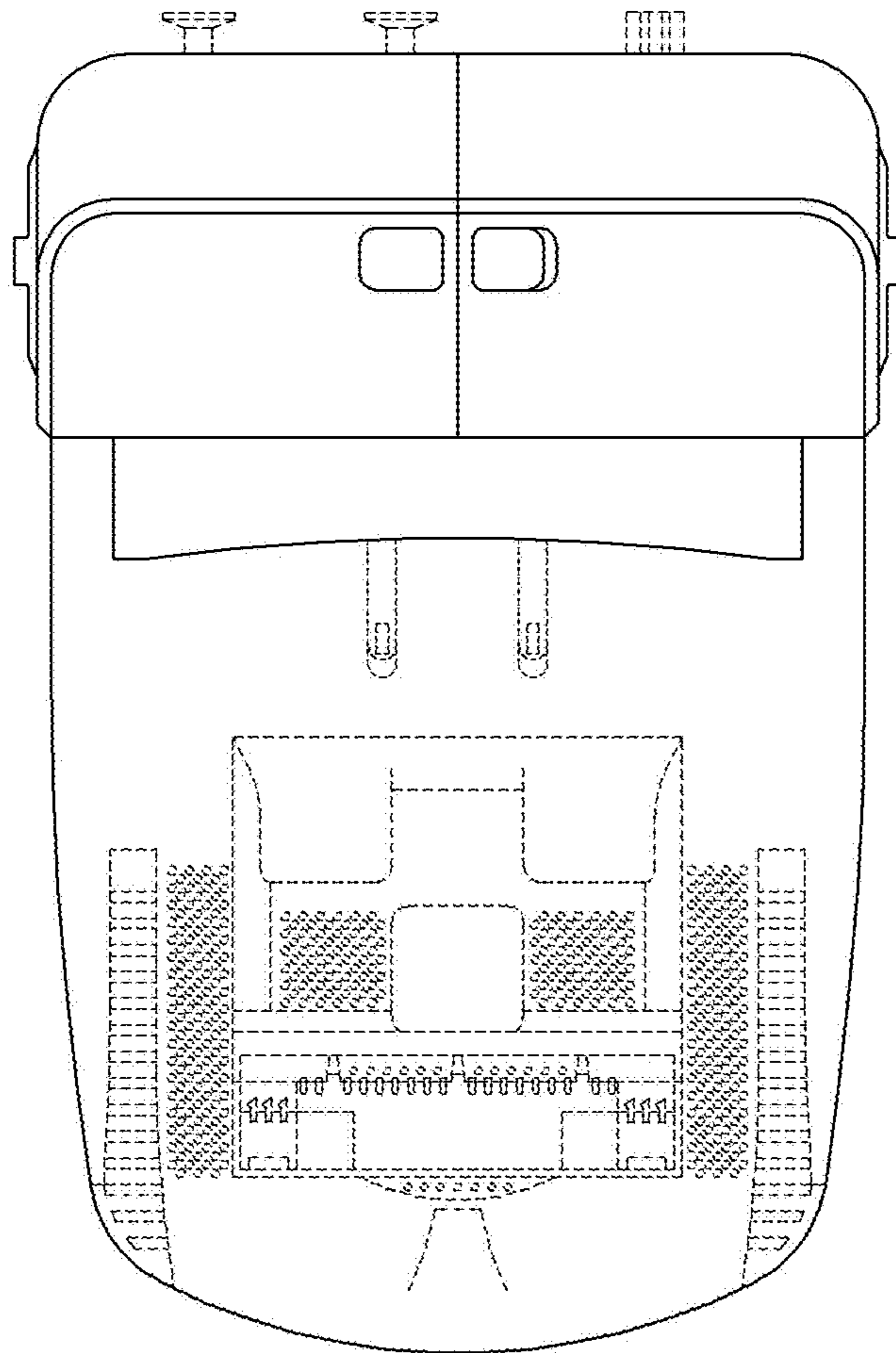


FIG. 7

