



US00D691549S

(12) **United States Design Patent**  
**Kara**

(10) **Patent No.:** **US D691,549 S**  
(45) **Date of Patent:** **\*\* Oct. 15, 2013**

(54) **COVER**

(75) Inventor: **Steven Kara**, Blackburn South (AU)

(73) Assignee: **Steven Kara**, Blackburn South (AU)

(\*\*) Term: **14 Years**

(21) Appl. No.: **29/403,502**

(22) Filed: **Oct. 6, 2011**

(51) **LOC (9) Cl.** ..... **12-16**

(52) **U.S. Cl.**  
USPC ..... **D12/402**

(58) **Field of Classification Search**  
USPC ..... D12/401-405; 160/370.21, 370.22,  
160/370.23; 280/770; 150/158, 165-167;  
296/98, 100.01-100.18, 136.01,  
296/136.05, 136.06, 136.07, 95.1, 77.1;  
135/88.01, 95

See application file for complete search history.

(56) **References Cited**

**U.S. PATENT DOCUMENTS**

5,094,257	A *	3/1992	Wilson et al.	.....	135/88.05
D332,294	S *	1/1993	Cantwell	.....	D21/834
5,507,121	A *	4/1996	Taylor	.....	52/66
6,349,732	B1 *	2/2002	Cooper	.....	135/133
D493,505	S *	7/2004	Arthur	.....	D21/834
D516,155	S *	2/2006	Goodwin et al.	.....	D21/834
7,640,942	B2 *	1/2010	Chu	.....	135/132
D627,480	S *	11/2010	Pinke et al.	.....	D25/18
D651,678	S *	1/2012	Muggleton	.....	D21/834
D679,771	S *	4/2013	Muggleton	.....	D21/834

**OTHER PUBLICATIONS**

Australian Design Application No. 201012931, registered Sep. 10, 2010, by Kara, two pages.

\* cited by examiner

*Primary Examiner* — Katrina A Betton

(74) *Attorney, Agent, or Firm* — Morrison & Foerster LLP

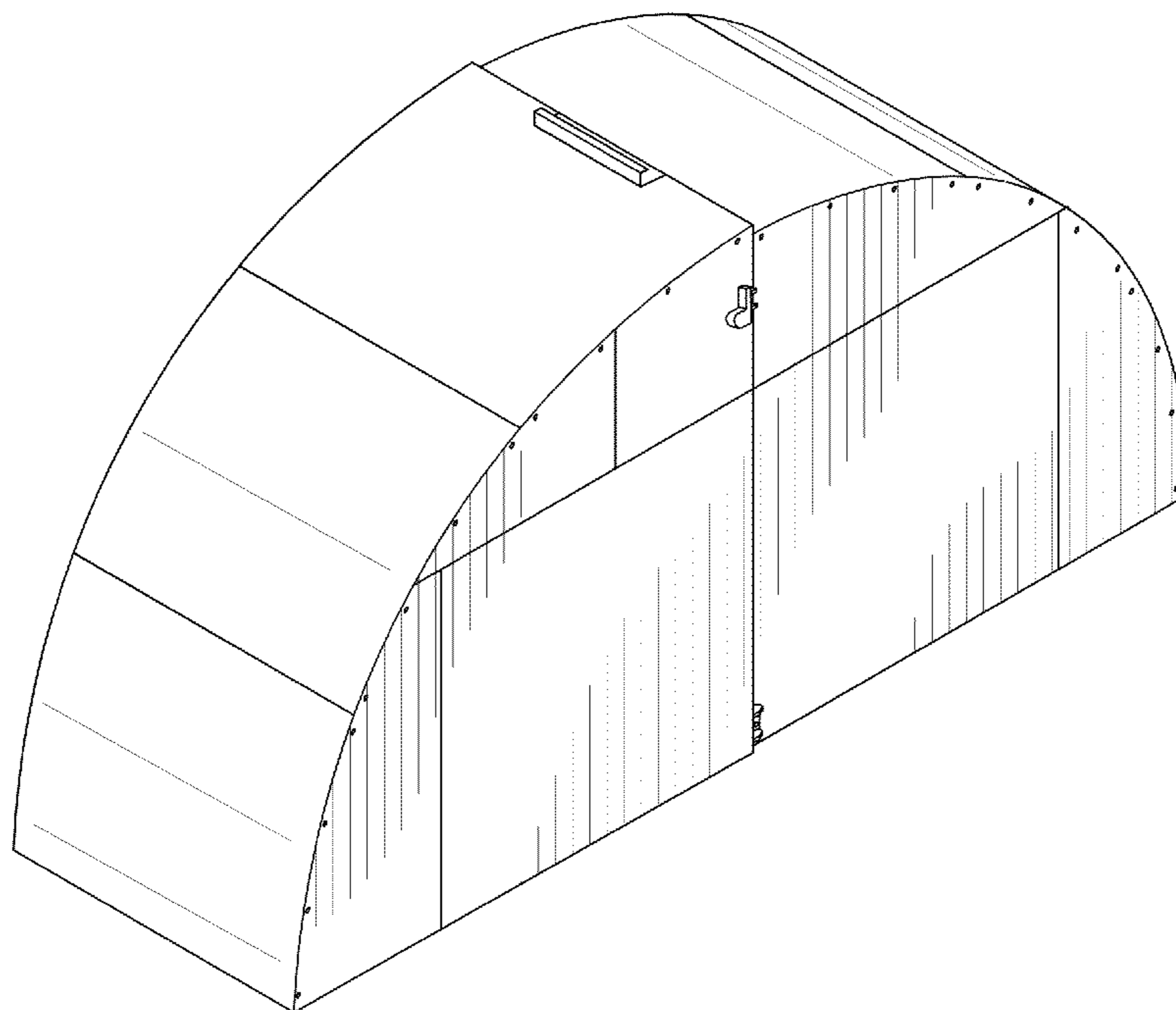
(57) **CLAIM**

The ornamental design for a cover, as shown and described.

**DESCRIPTION**

FIG. 1 is a perspective view of a cover for a motorcycle or the like, shown in a closed configuration;  
 FIG. 2 is a side view of the cover;  
 FIG. 3 is an opposite side view of the cover;  
 FIG. 4 is a top view of the cover;  
 FIG. 5 is an end view of the cover;  
 FIG. 6 is an opposite end view of the cover;  
 FIG. 7 is a perspective view of the cover shown in an open configuration;  
 FIG. 8 is a side view of the cover shown in the open configuration;  
 FIG. 9 is an opposite side view of the cover shown in the open configuration;  
 FIG. 10 is a top view of the cover shown in the open configuration;  
 FIG. 11 is an end view of the cover shown in the open configuration; and,  
 FIG. 12 is an opposite end view of the cover shown the open configuration.

**1 Claim, 8 Drawing Sheets**



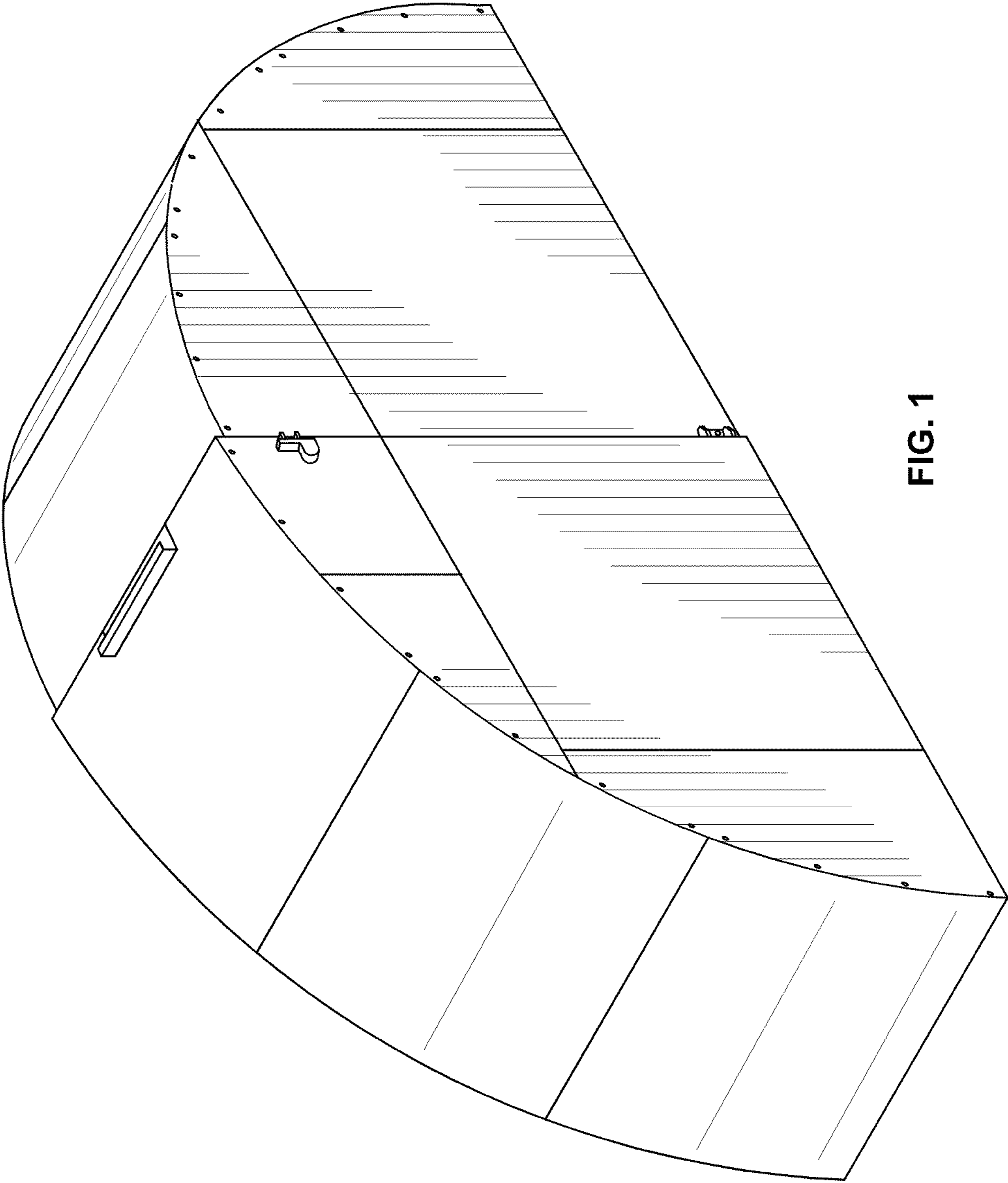


FIG. 1

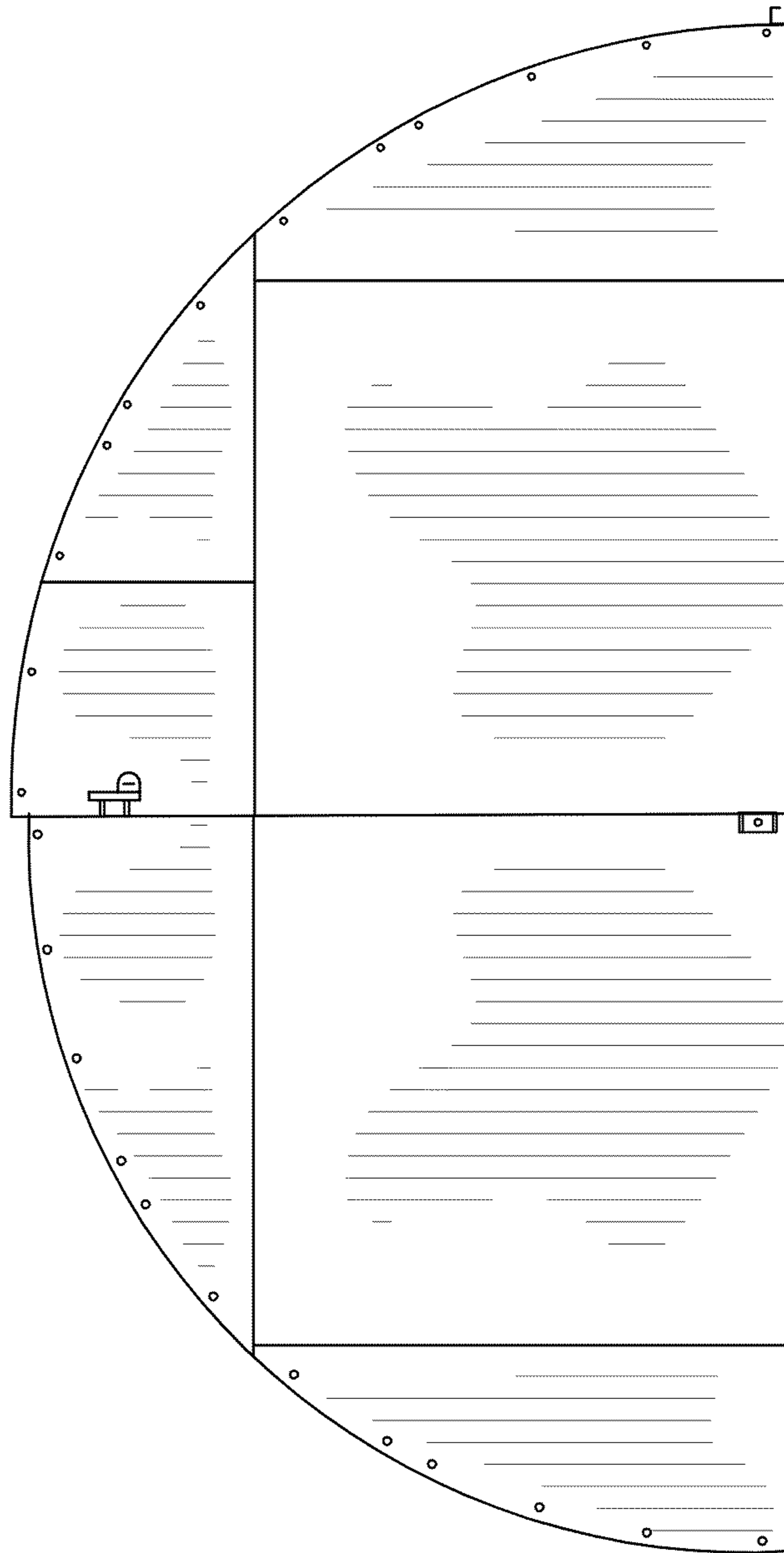


FIG. 2

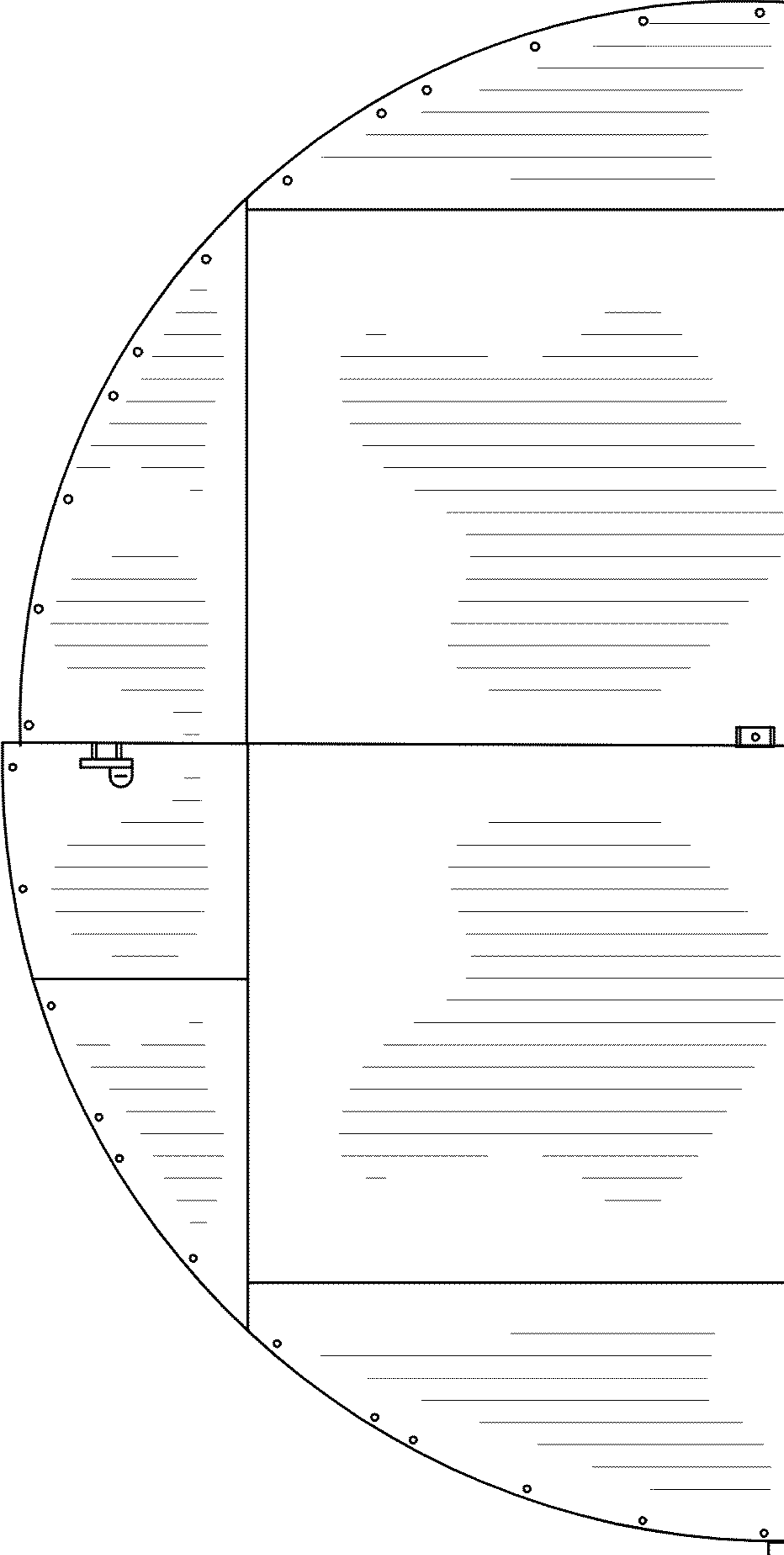


FIG. 3

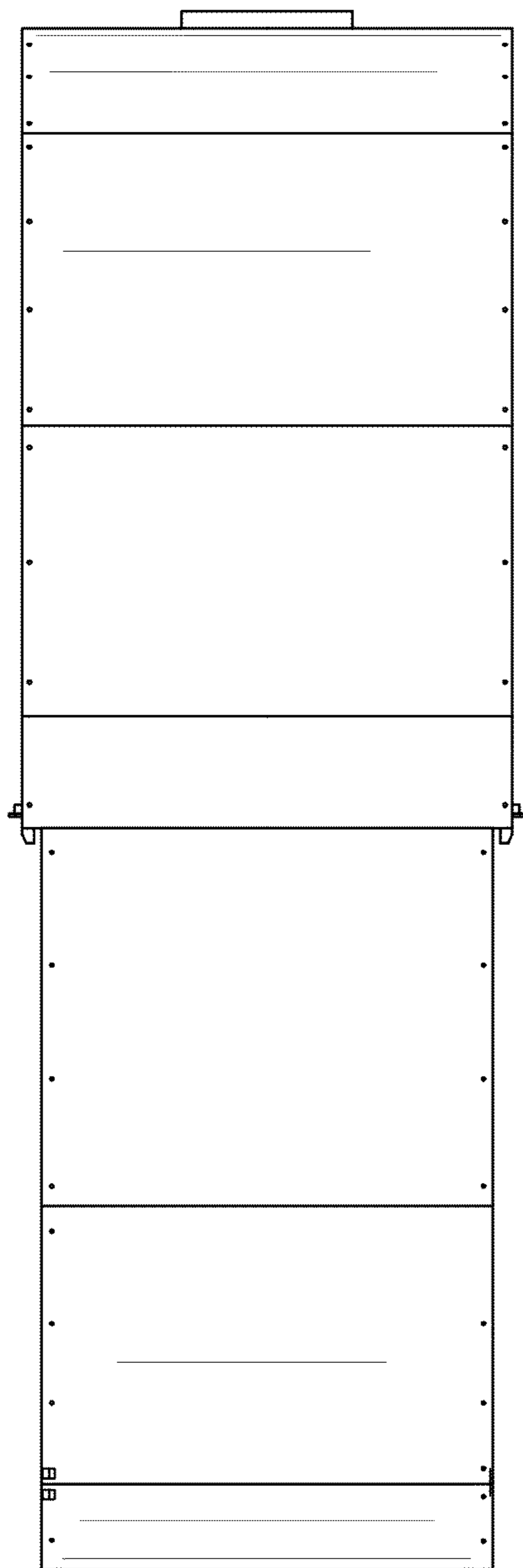


FIG. 4

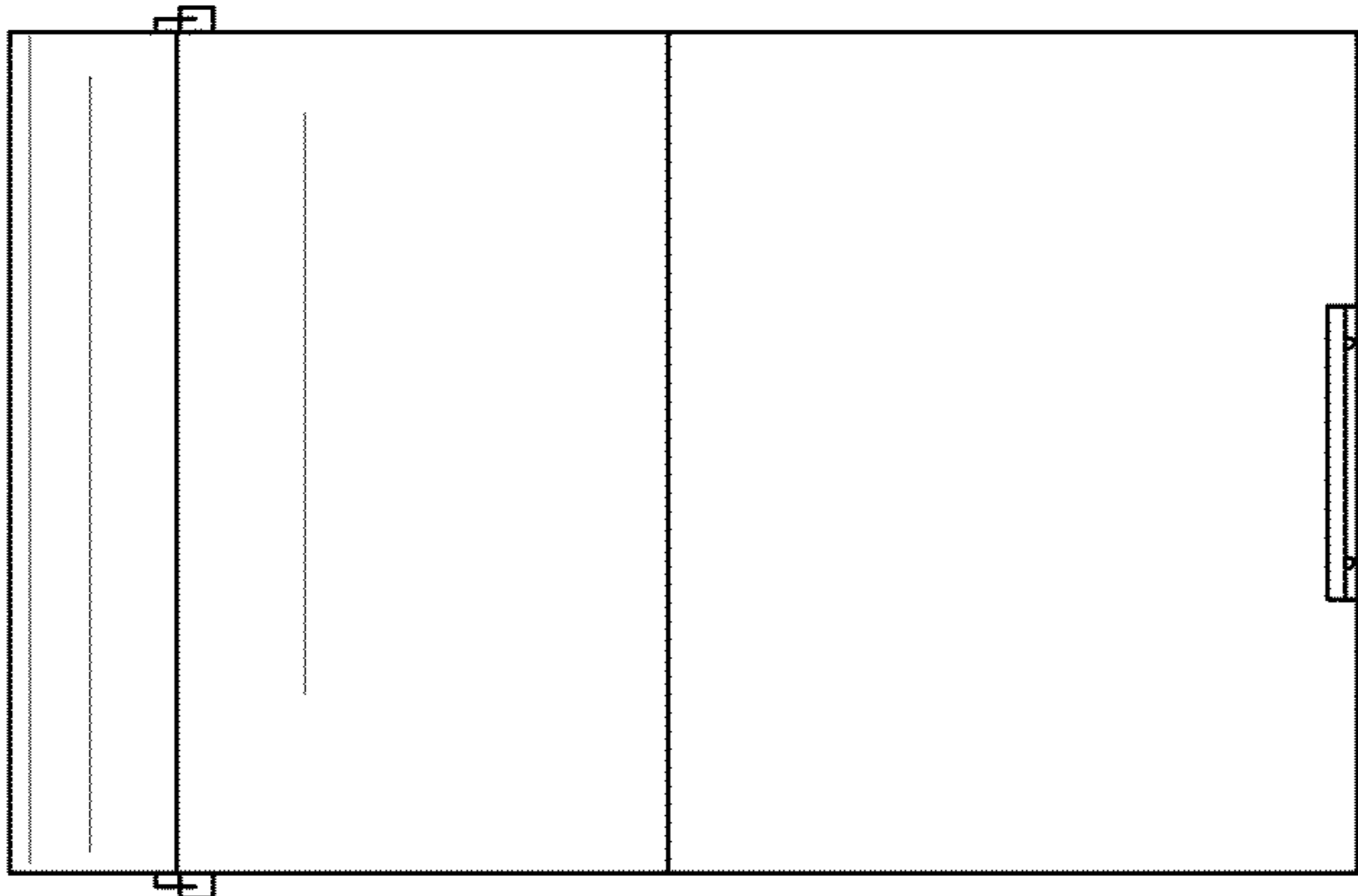


FIG. 6

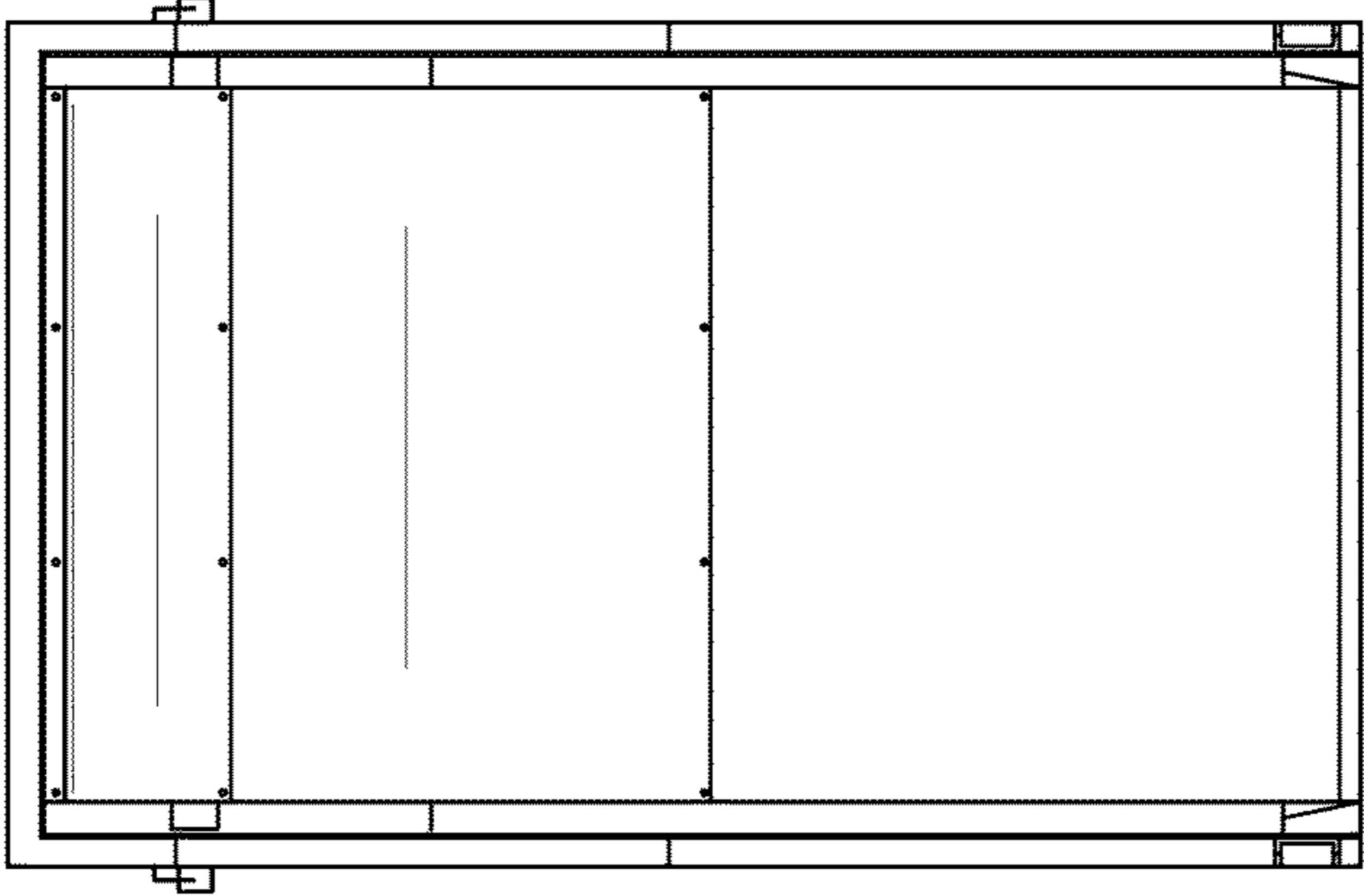


FIG. 5

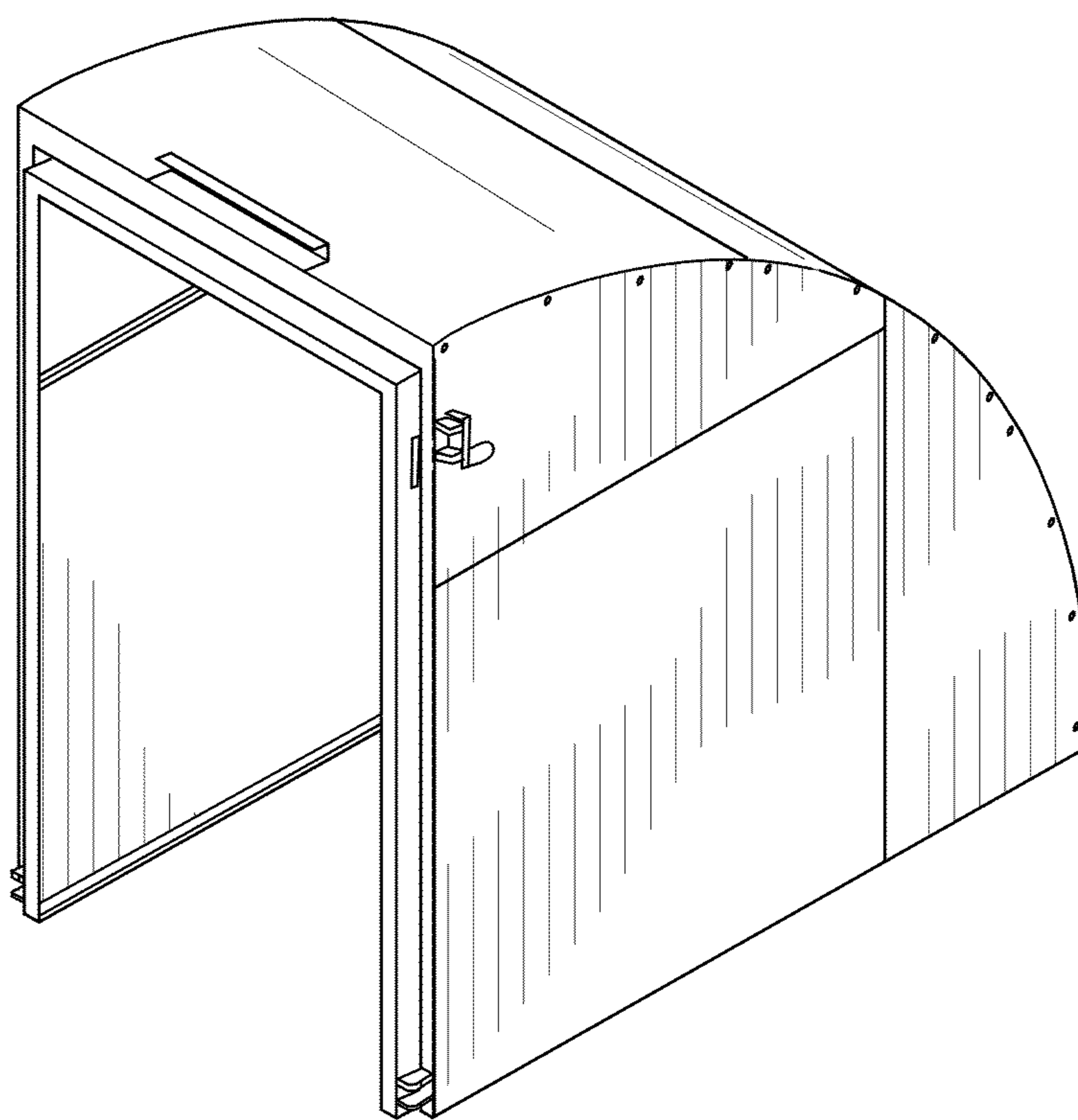


FIG. 7

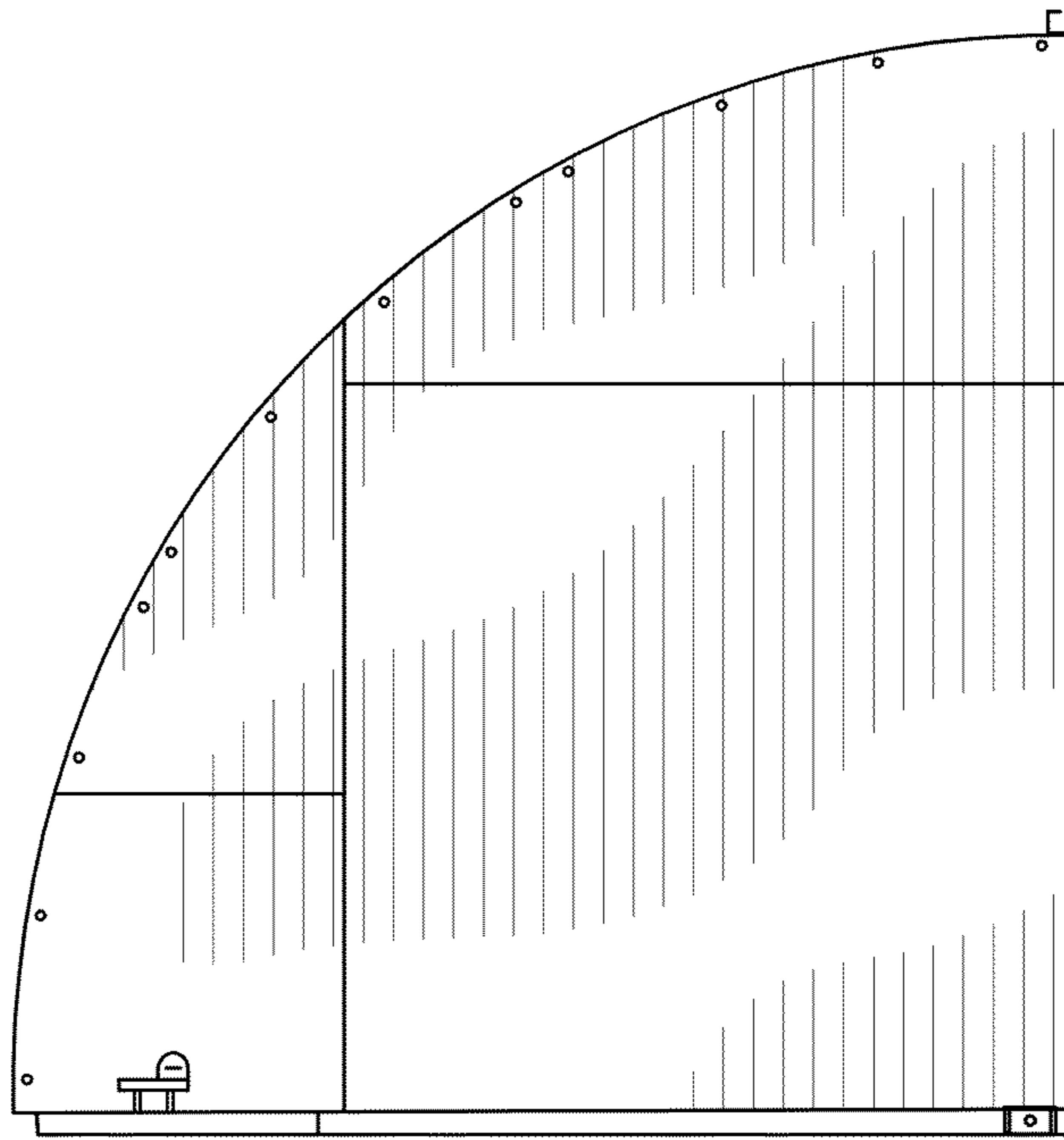


FIG. 8

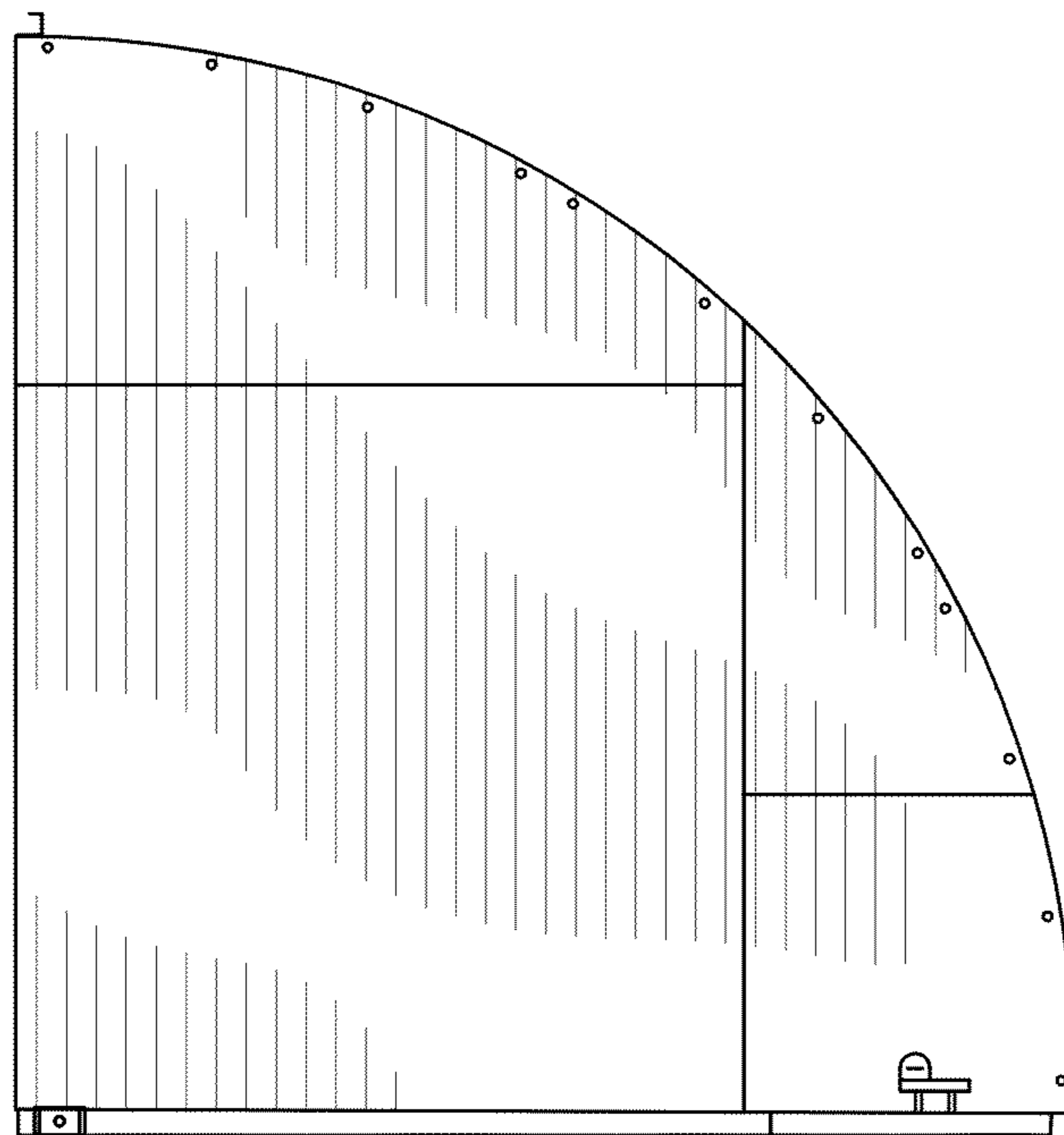


FIG. 9



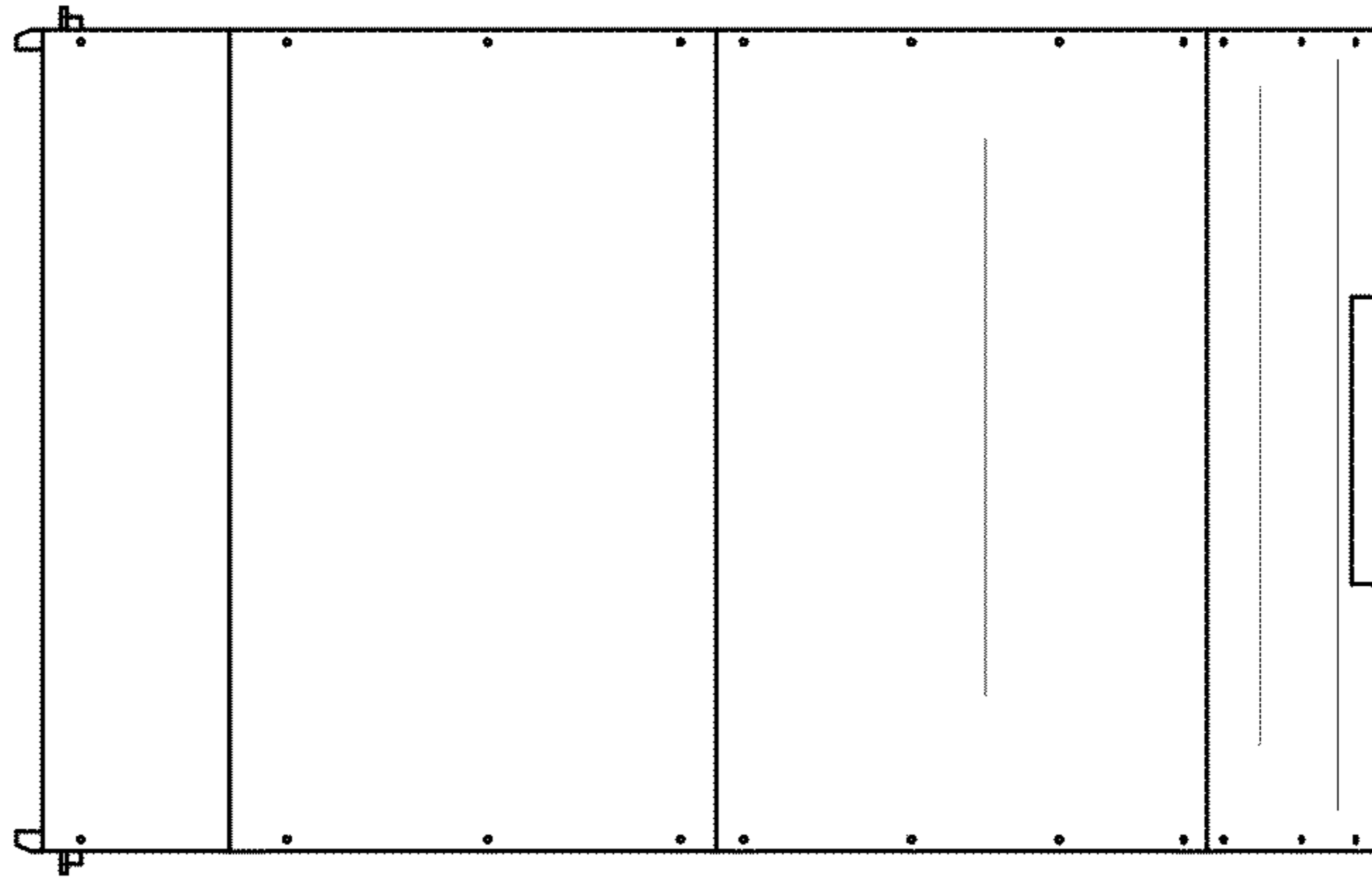


FIG. 10

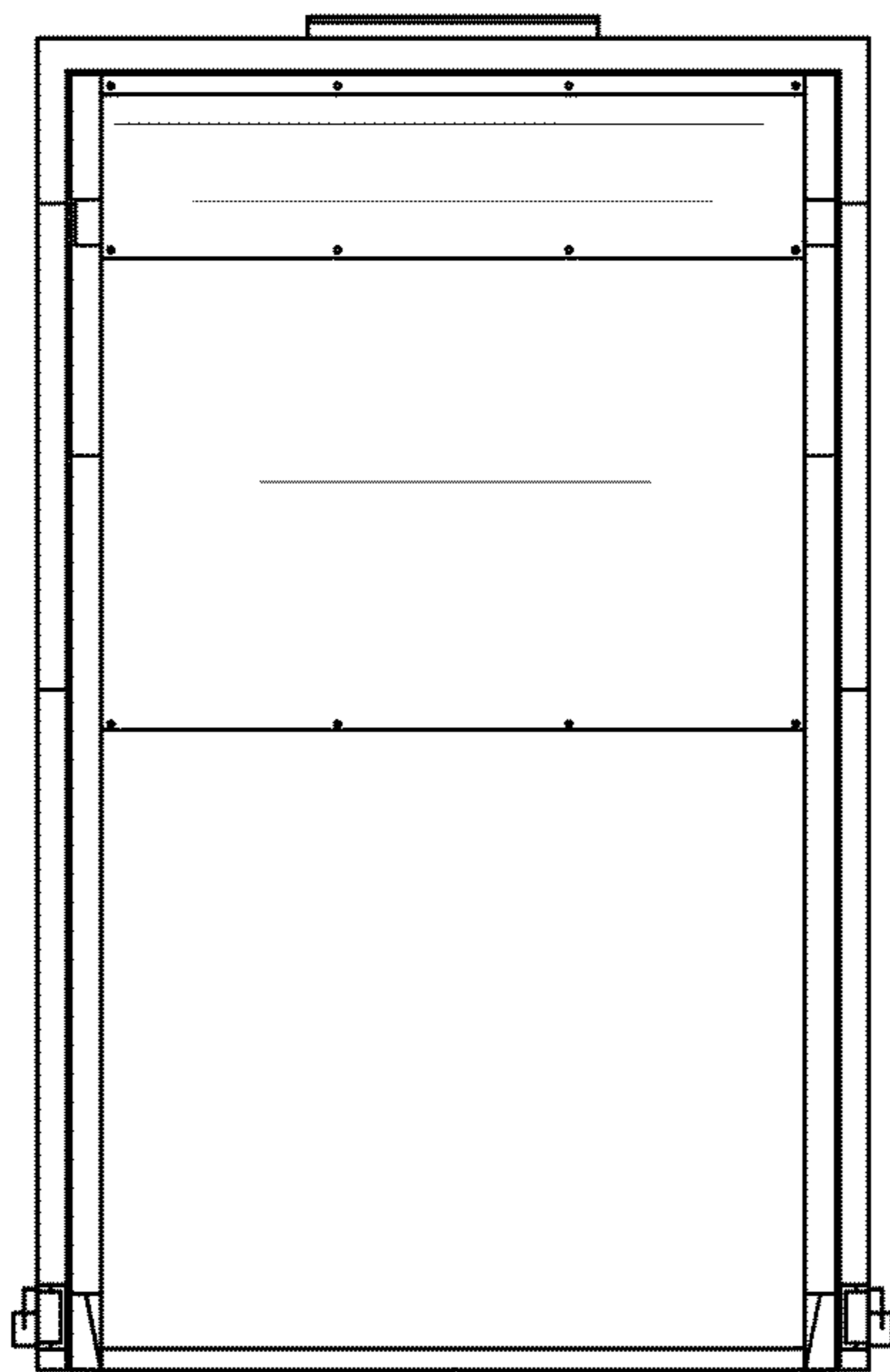


FIG. 11

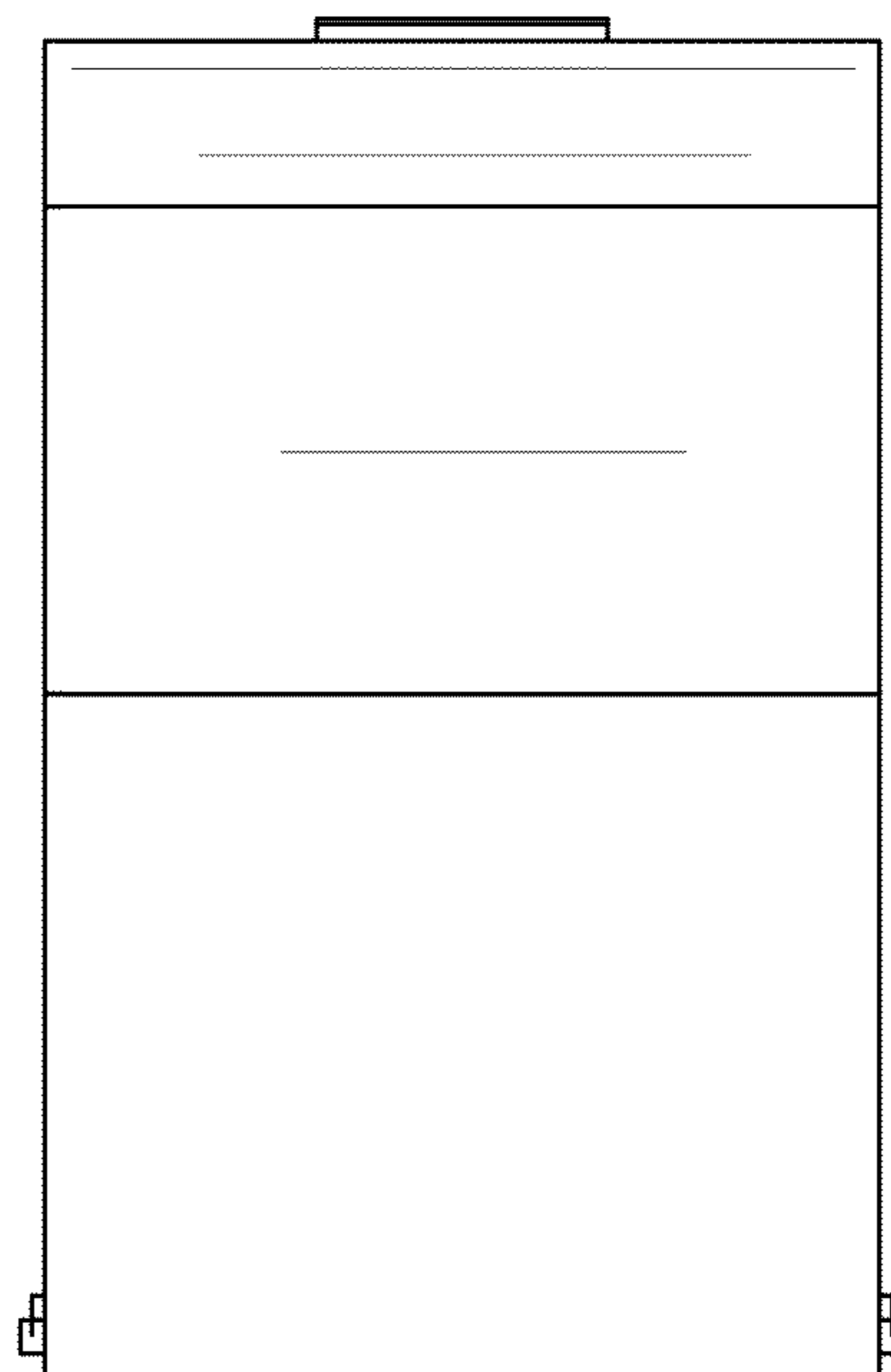


FIG. 12