

US00D691548S

(12) **United States Design Patent**  
**Kismarton**

(10) **Patent No.:** **US D691,548 S**  
(45) **Date of Patent:** **\*\* Oct. 15, 2013**

(54) **AIRCRAFT WINDOW**

(75) Inventor: **Max U. Kismarton**, Renton, WA (US)

(73) Assignee: **The Boeing Company**, Chicago, IL (US)

(\*\*) Term: **14 Years**

(21) Appl. No.: **29/386,883**

(22) Filed: **Mar. 4, 2011**

(51) **LOC (9) Cl.** ..... **12-07**

(52) **U.S. Cl.**  
USPC ..... **D12/345**

(58) **Field of Classification Search**  
USPC ..... D12/345, 319, 327, 343, 450, 341, 37,  
D12/40, 183, 303, 404; 244/55, 119, 118.5;  
362/471; D25/48.7  
See application file for complete search history.

(56) **References Cited**

**U.S. PATENT DOCUMENTS**

3,429,530	A	2/1969	Hertel	
D273,673	S *	5/1984	Olason et al.	D12/338
4,450,661	A *	5/1984	Whitener	52/206
5,443,229	A *	8/1995	O'Brien et al.	244/54
6,318,035	B1	11/2001	Jesse	
D463,357	S *	9/2002	Granzeier et al.	D12/345
6,547,184	B2 *	4/2003	Nieberle	244/119
6,736,352	B2	5/2004	Bladt et al.	
D512,365	S	12/2005	Bladt et al.	
7,083,143	B2 *	8/2006	Whitmer et al.	244/54
7,210,655	B2 *	5/2007	Novak et al.	244/119
7,380,752	B2 *	6/2008	Guard et al.	244/118.5
D589,872	S *	4/2009	Barrou	D12/345
D601,481	S *	10/2009	Barrou	D12/345
D610,522	S *	2/2010	Bladt et al.	D12/345
7,721,992	B2 *	5/2010	Keeler et al.	244/119
D617,724	S *	6/2010	Saint-Jalmes et al.	D12/343
8,104,715	B2 *	1/2012	Brownjohn et al.	244/129.3

8,398,910	B2	3/2013	Kastner et al.	
2003/0234322	A1	12/2003	Bladt et al.	
2005/0044712	A1 *	3/2005	Gideon et al.	29/897.32
2012/0223187	A1 *	9/2012	Kismarton	244/120

**FOREIGN PATENT DOCUMENTS**

DE	4408476	9/1995
EP	1375339	1/2004
WO	WO8301237	4/1983
WO	WO2007141176	12/2007
WO	WO2009098088	8/2009

**OTHER PUBLICATIONS**

Office Action for Serial No. 13/041,299 issued on Jun. 21, 2013.

\* cited by examiner

*Primary Examiner* — Cathron Brooks  
*Assistant Examiner* — Katie Mroczka

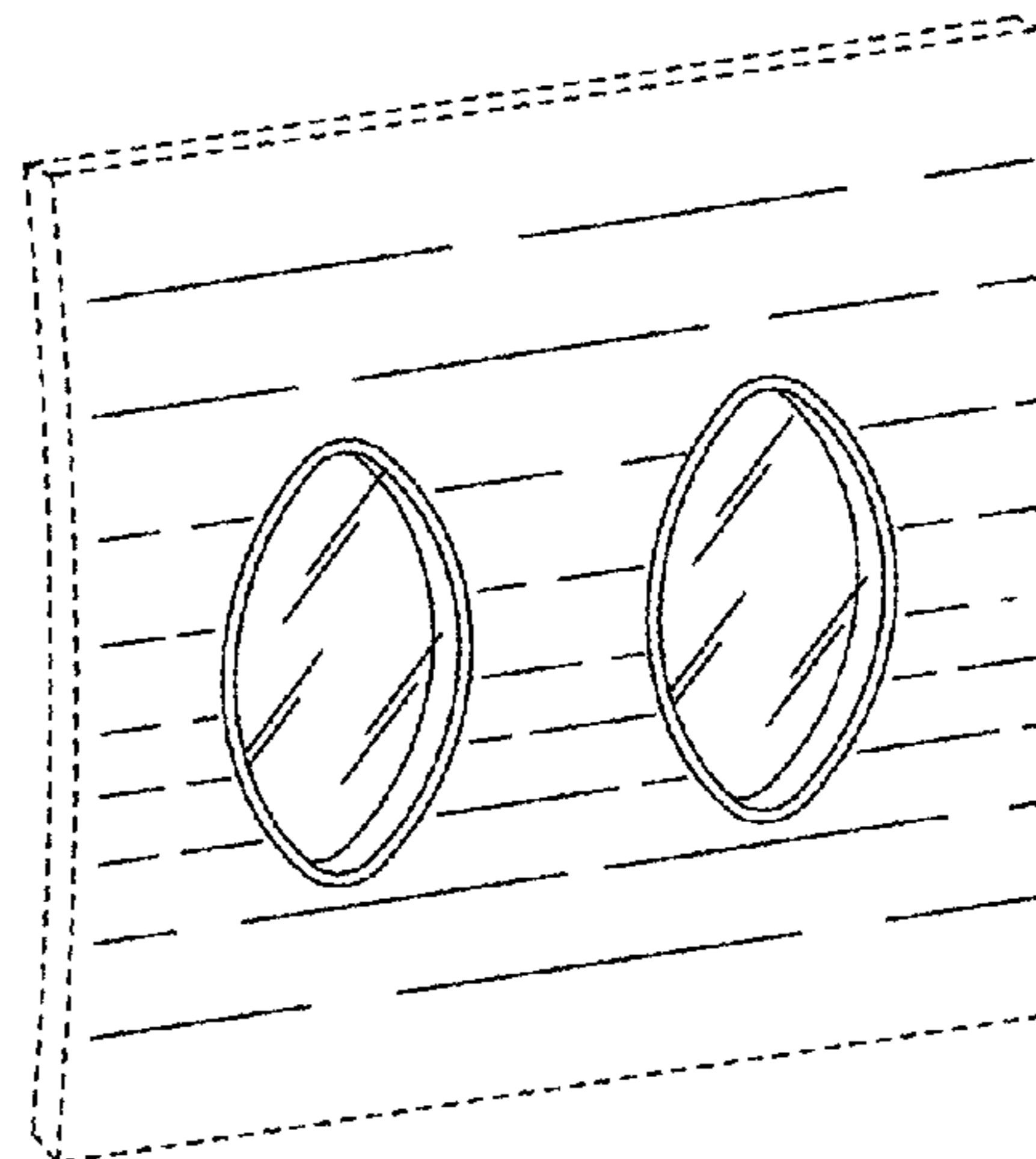
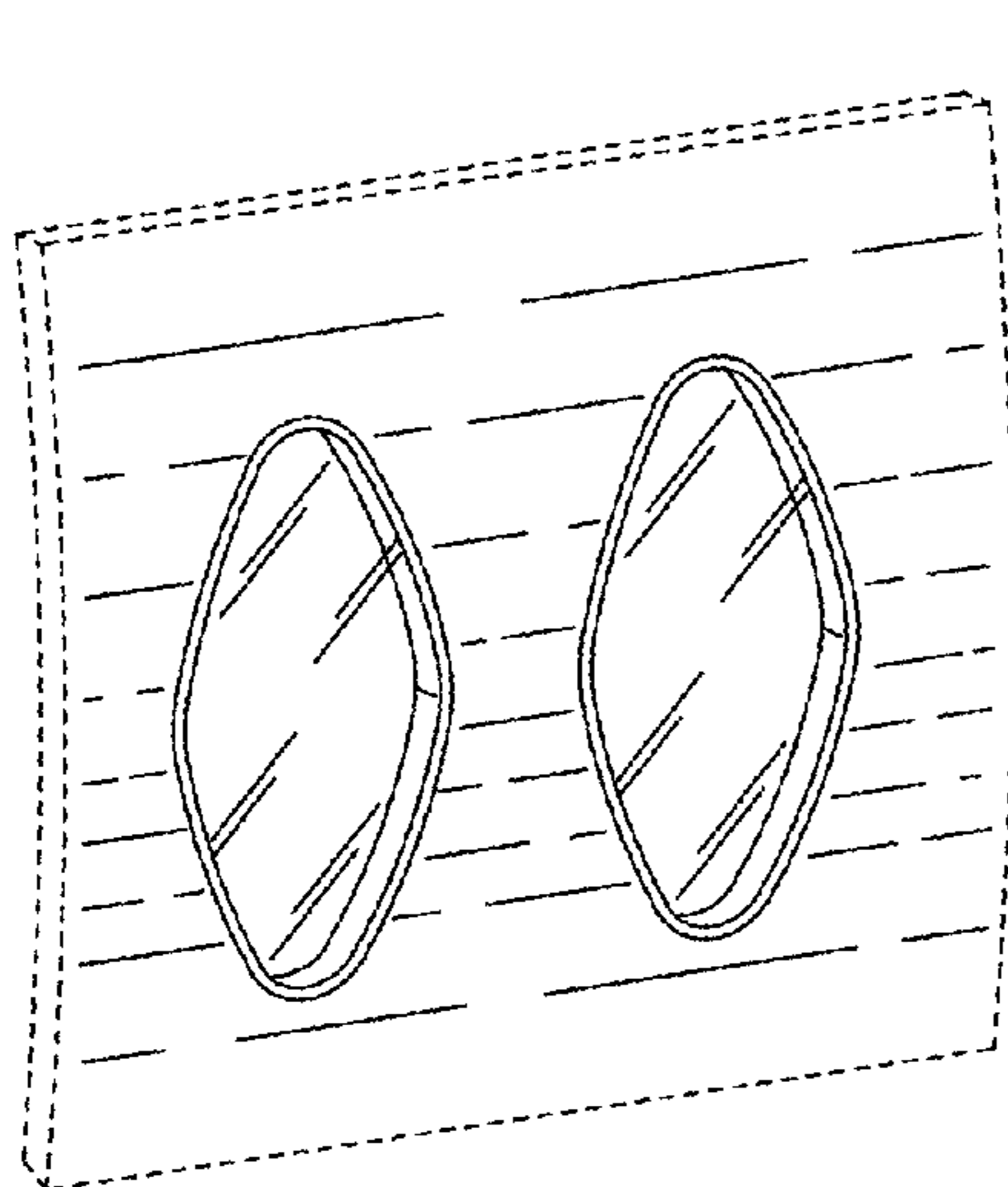
(57) **CLAIM**

The ornamental design for an aircraft window, as shown and described.

**DESCRIPTION**

FIG. 1 is an external side view of an embodiment of an aircraft window showing my new design.  
FIG. 2 is an external isometric view thereof.  
FIG. 3 is an external side view of another embodiment of an aircraft window showing my new design.  
FIG. 4 is an external isometric view thereof.  
FIG. 5 is an external side view of another embodiment of an aircraft window showing my new design; and,  
FIG. 6 is an external isometric view thereof.  
Broken lines shown in the drawings illustrate the environment of the aircraft window, and form no part of the claimed design.

**1 Claim, 2 Drawing Sheets**



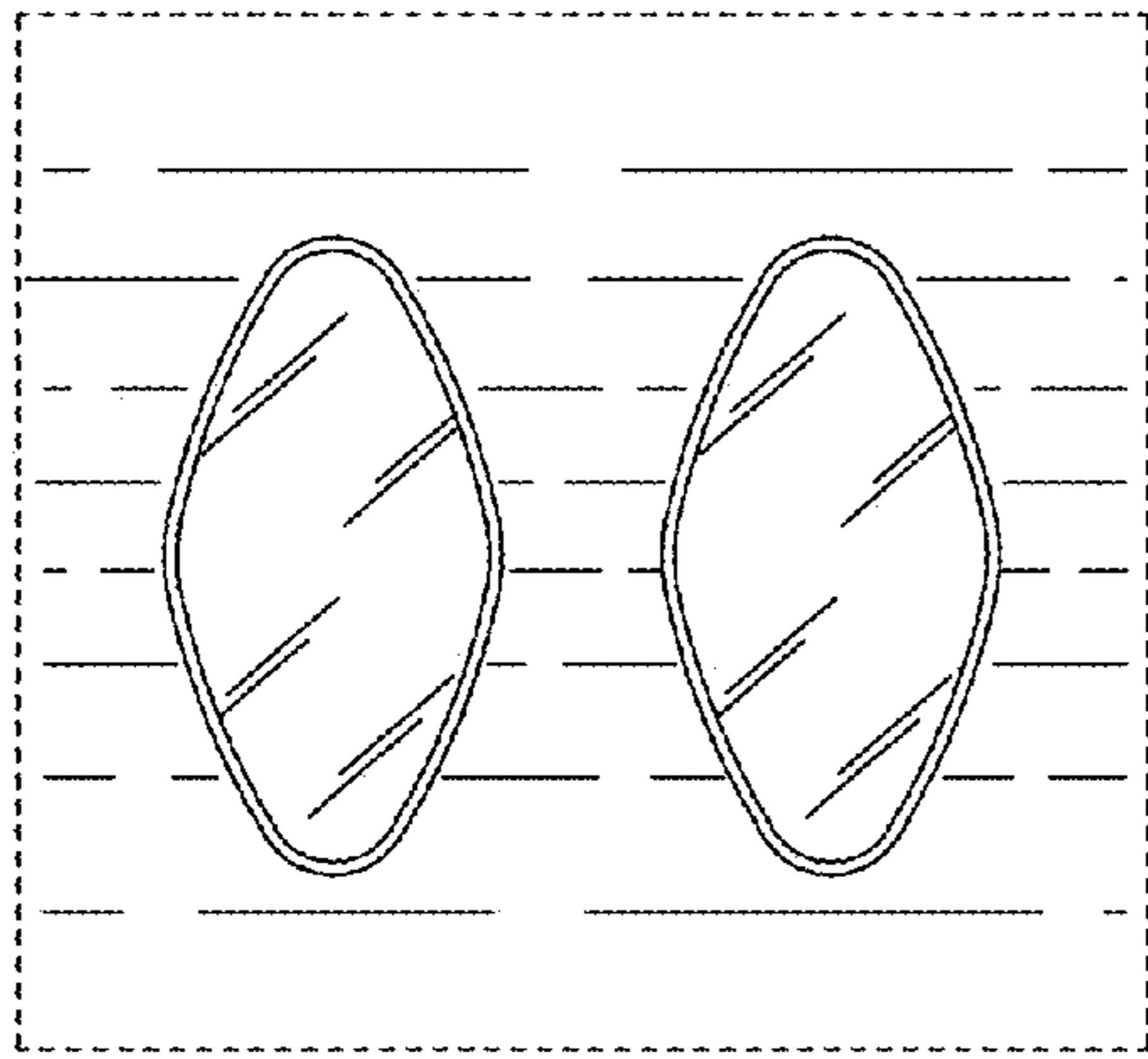


FIG. 1

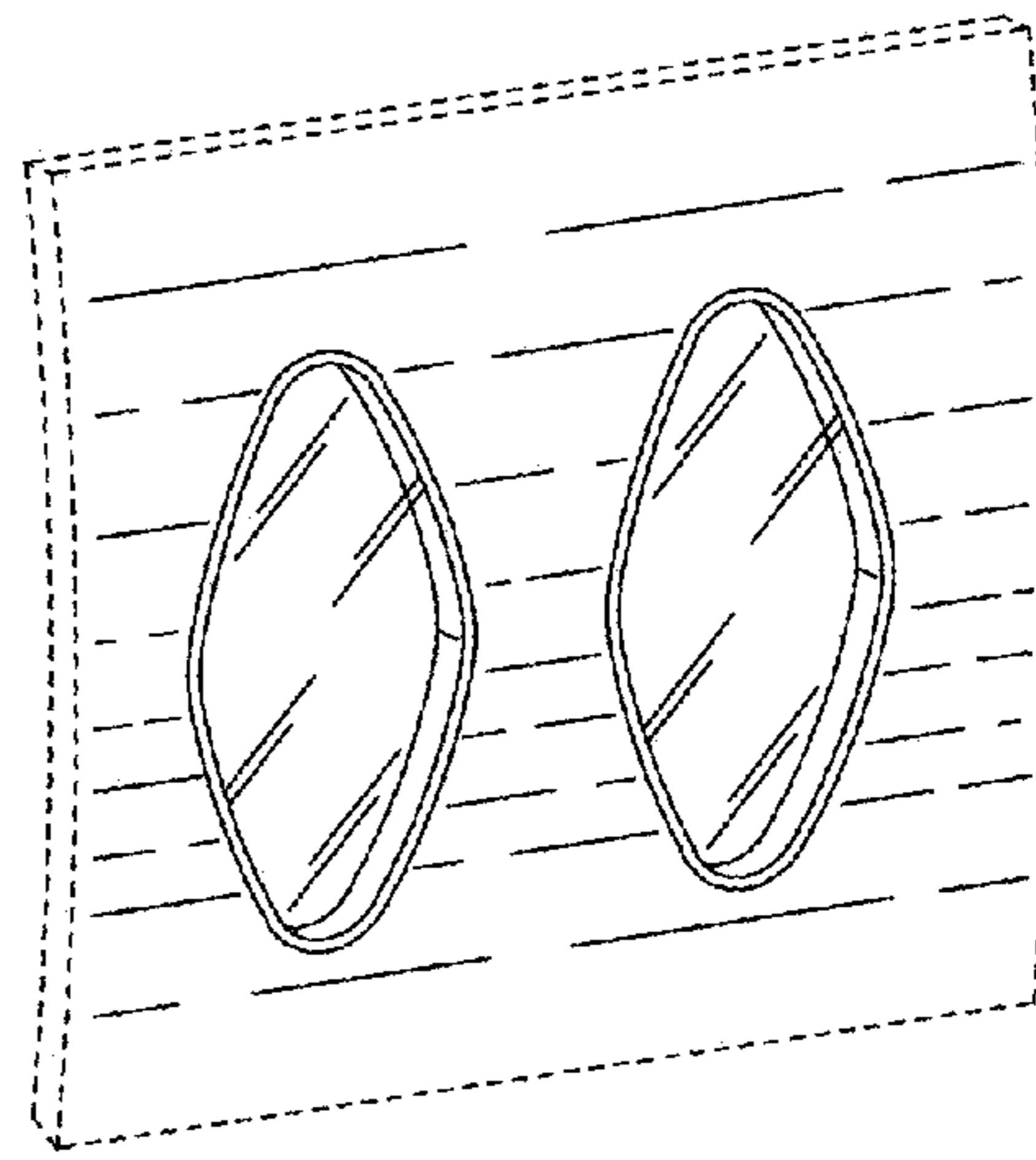


FIG. 2

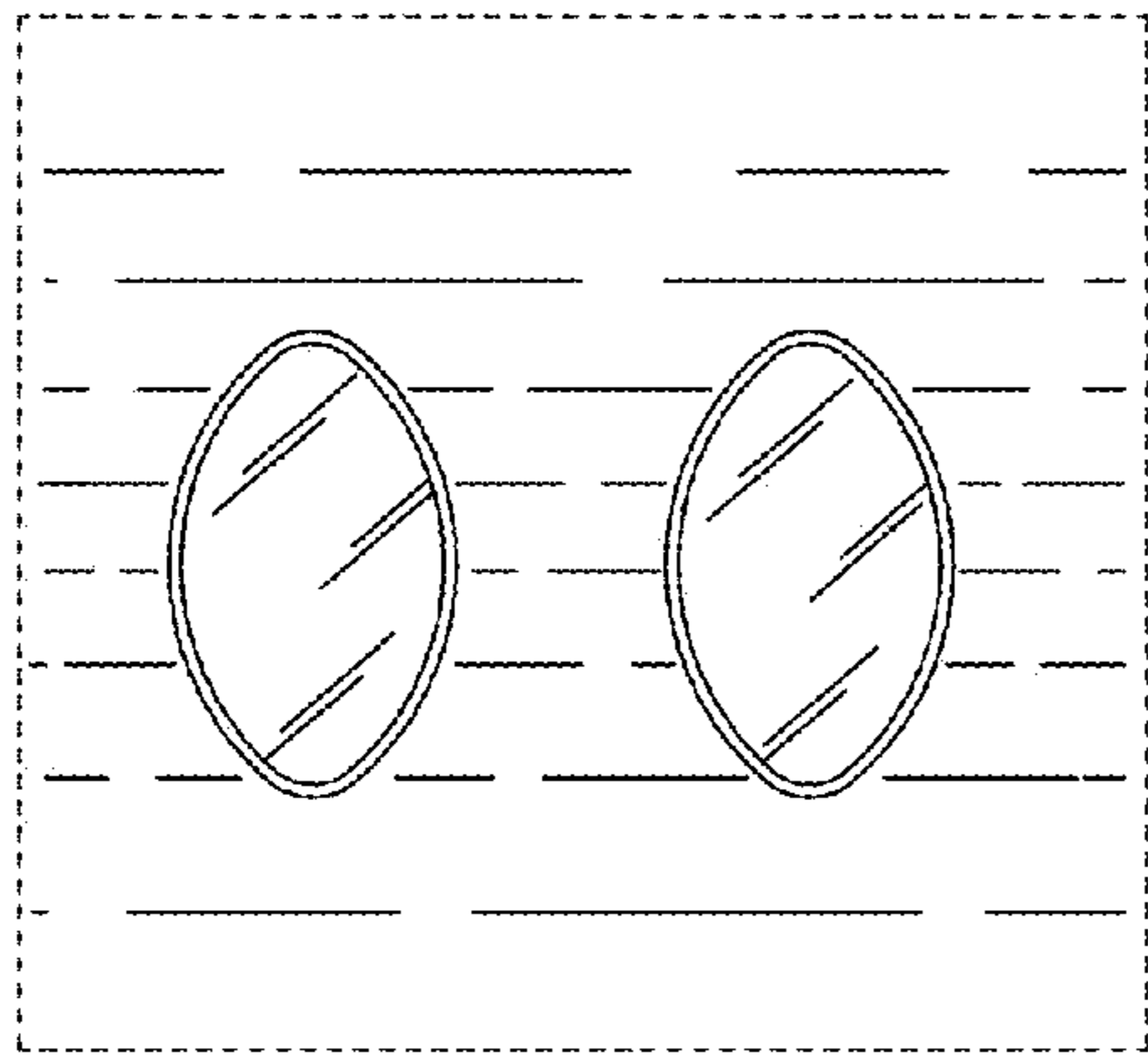


FIG. 3

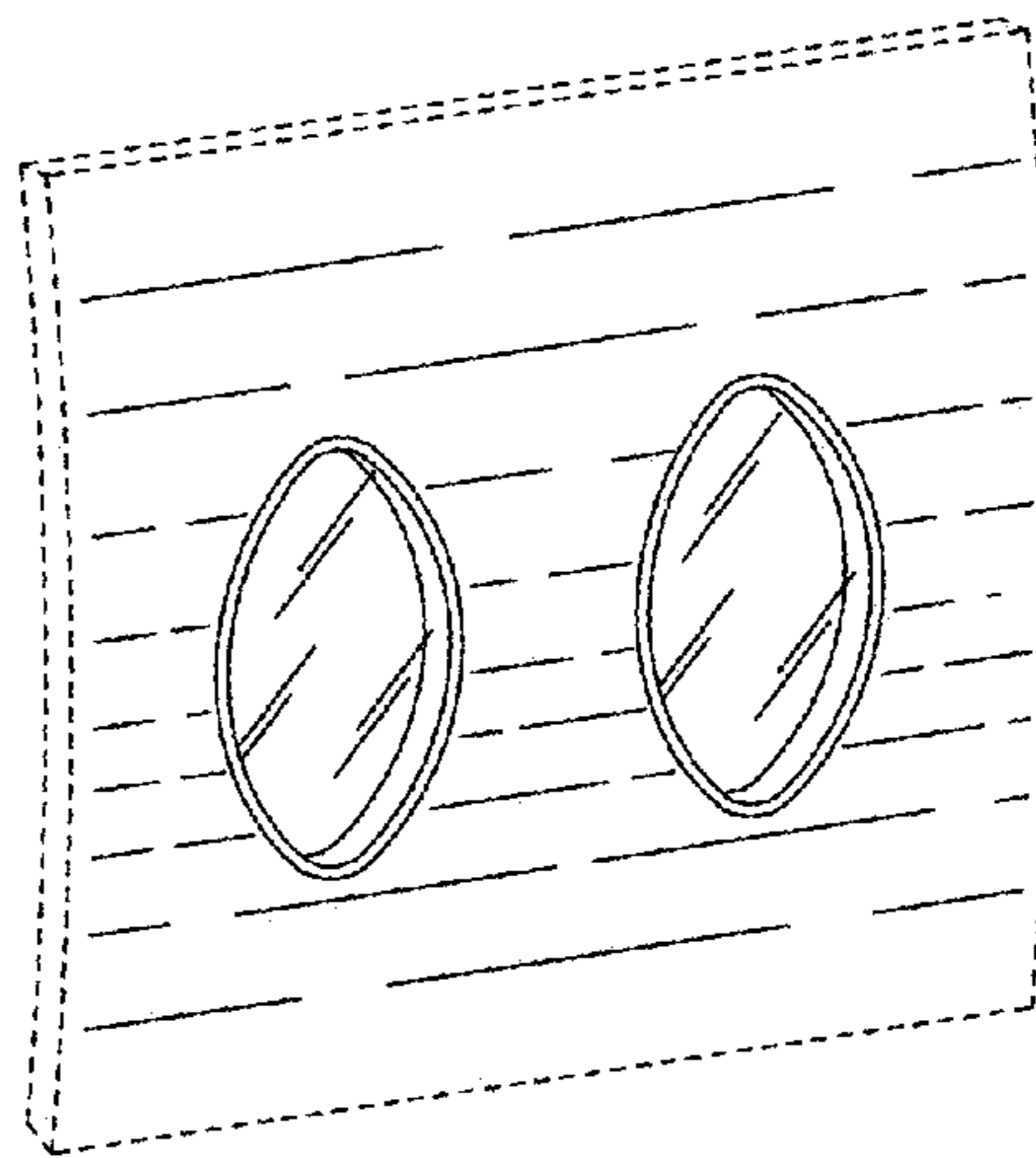


FIG. 4

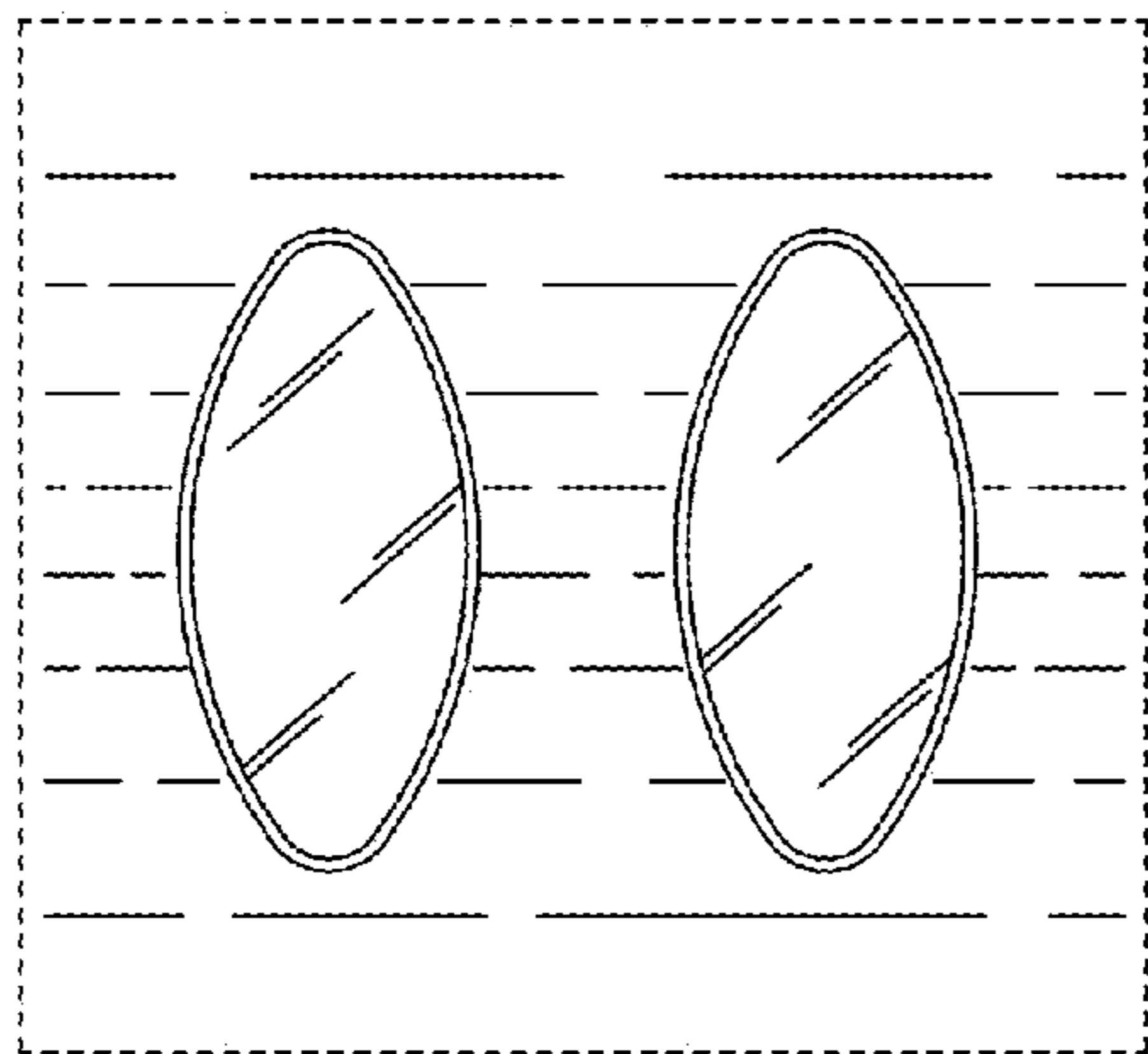


FIG. 5

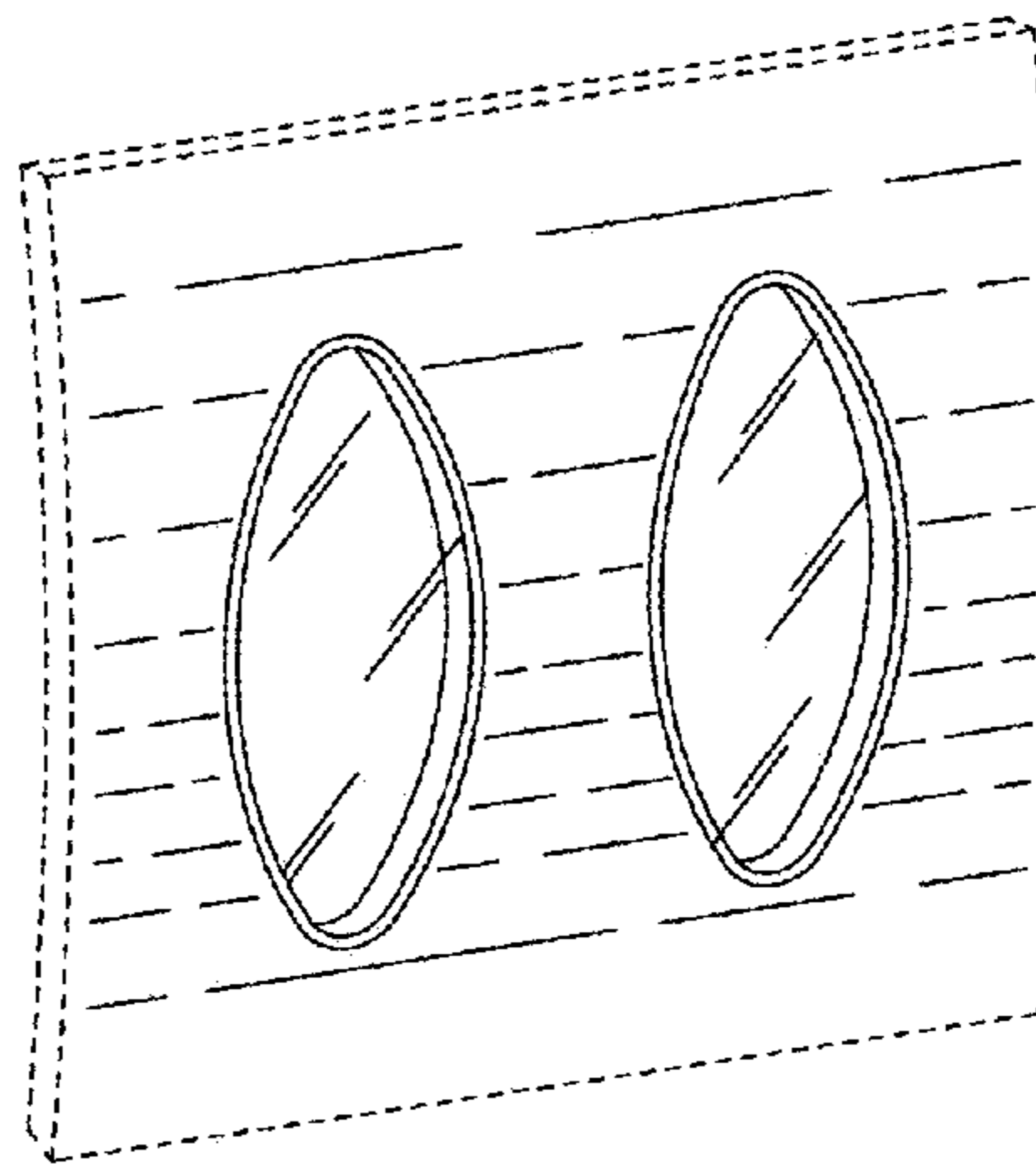


FIG. 6