



US00D691543S

(12) **United States Design Patent**  
**Gordon**

(10) **Patent No.:** **US D691,543 S**  
(45) **Date of Patent:** **\*\* Oct. 15, 2013**

(54) **VEHICLE WHEEL**

(71) Applicant: **Prestige Autotech Corporation**, Chino, CA (US)

(72) Inventor: **Chan Gordon**, Temple City, CA (US)

(73) Assignee: **Prestige Autotech Corporation**, Chino, CA (US)

(\*\*) Term: **14 Years**

(21) Appl. No.: **29/452,898**

(22) Filed: **Apr. 23, 2013**

(51) **LOC (9) Cl.** ..... **12-16**

(52) **U.S. Cl.**  
USPC ..... **D12/209**

(58) **Field of Classification Search**  
USPC ..... D12/204-213; 301/37.101, 64.101, 65,  
301/64.201

See application file for complete search history.

(56) **References Cited**

**U.S. PATENT DOCUMENTS**

D410,426 S *	6/1999	Frizzi .....	D12/211
D487,717 S *	3/2004	Lenz .....	D12/211
D579,846 S *	11/2008	Chung .....	D12/209
D582,829 S *	12/2008	Musser .....	D12/211
D590,317 S *	4/2009	Chung .....	D12/211
D597,462 S *	8/2009	Chung .....	D12/209

D617,252 S *	6/2010	Zhao .....	D12/211
D633,028 S *	2/2011	Kim .....	D12/211
D649,101 S *	11/2011	Hale, Jr. ....	D12/209
D649,107 S *	11/2011	Hale, Jr. ....	D12/211
D675,971 S *	2/2013	Lee .....	D12/209
D680,047 S *	4/2013	Hale, Jr. ....	D12/209

**OTHER PUBLICATIONS**

Prestigeautotechcorporation Catalog 2011/2012, cover and p. 4; enlarged photos of Item Nos. 904, 044, 522, 810 (chrome), 810 (black), 811 (chrome), 811 (black), 813 (black with red inserts), 813 (black), 814 (chrome), 814 (black with red inserts), 814 (black), appearing on p. 4, and 3 photographs of the center cap of each of the forgoing item Nos.

\* cited by examiner

*Primary Examiner* — Stacia Cadmus

(74) *Attorney, Agent, or Firm* — Fulwider Patton LLP

(57) **CLAIM**

The ornamental design for the “vehicle wheel,” as shown and described.

**DESCRIPTION**

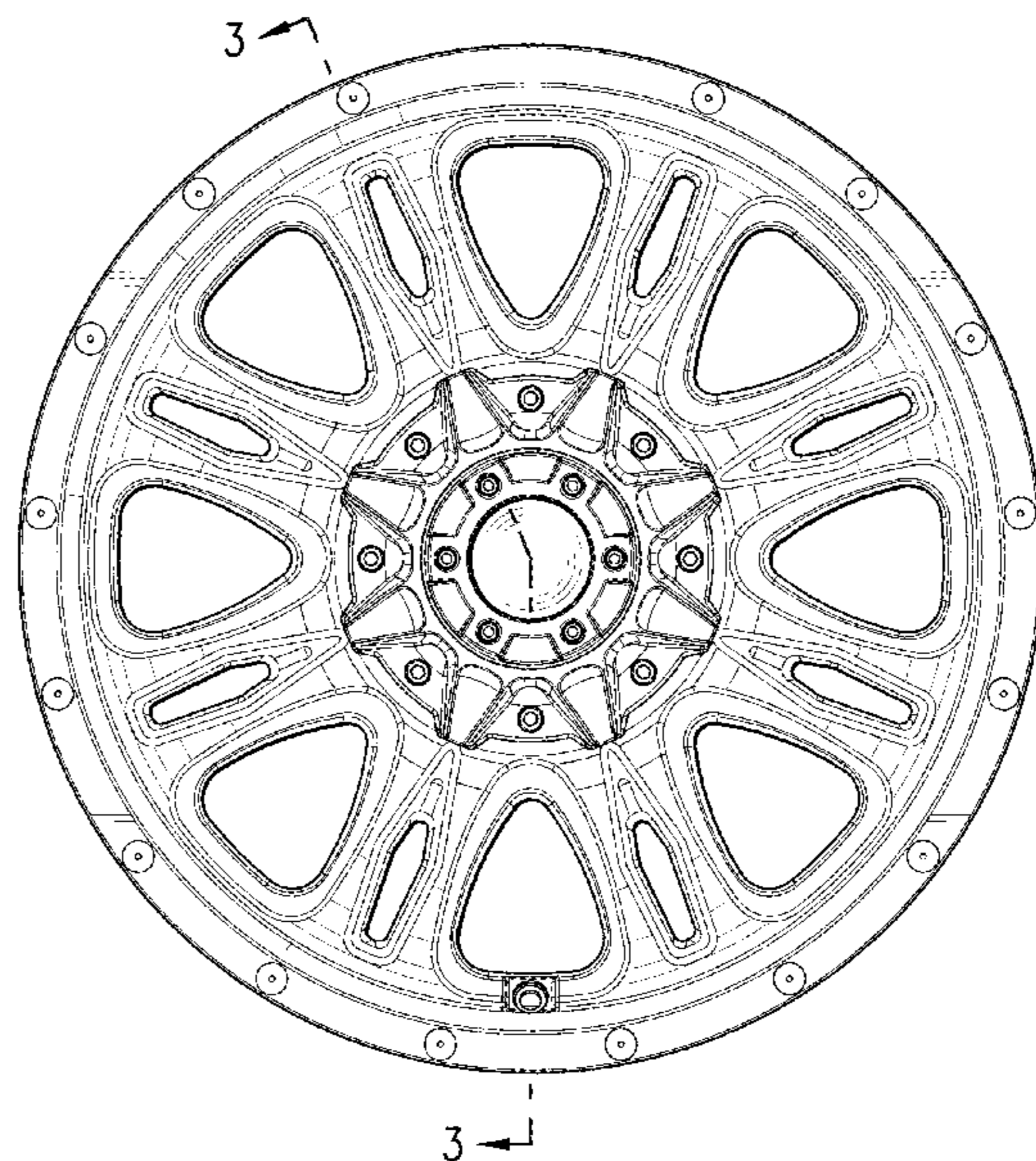
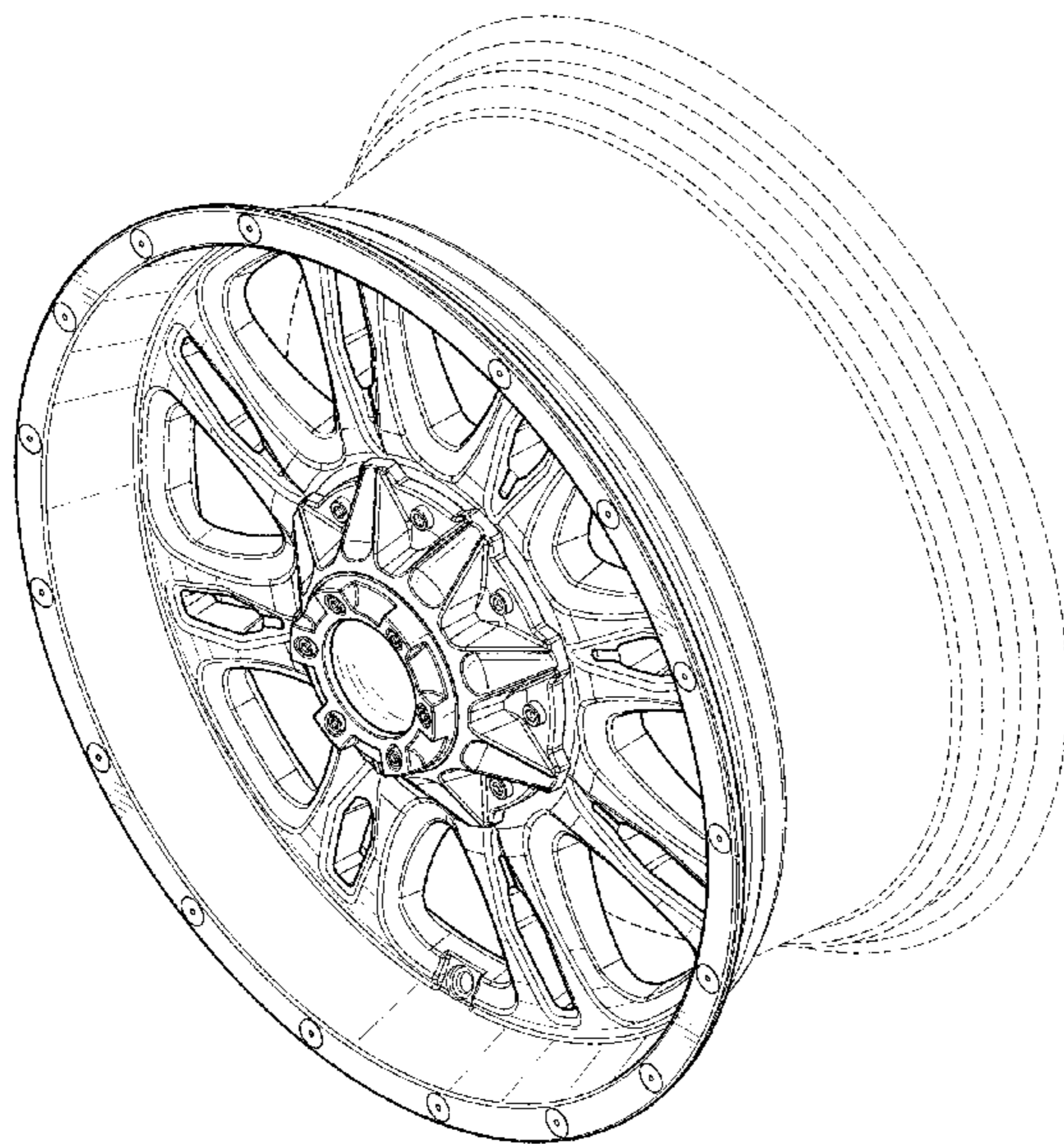
FIG. 1 is a perspective view of the vehicle wheel showing my new design;

FIG. 2 is a front elevational view thereof; and,

FIG. 3 is a cross-sectional view taken along the line 3-3 of FIG. 2.

The broken lines showing the environment are for illustrative purposes only and form no part of the claimed design.

**1 Claim, 3 Drawing Sheets**



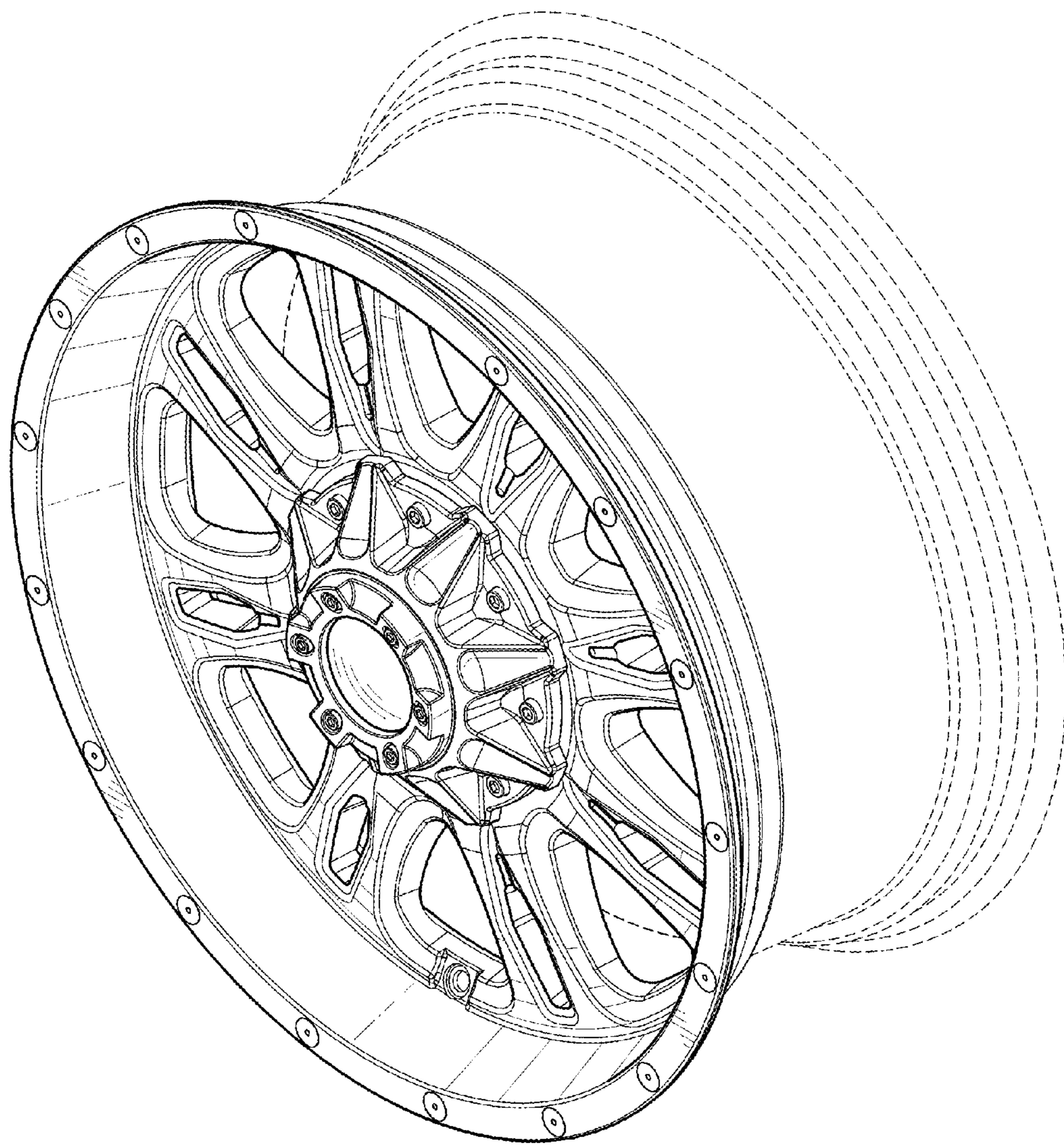


FIG. 1

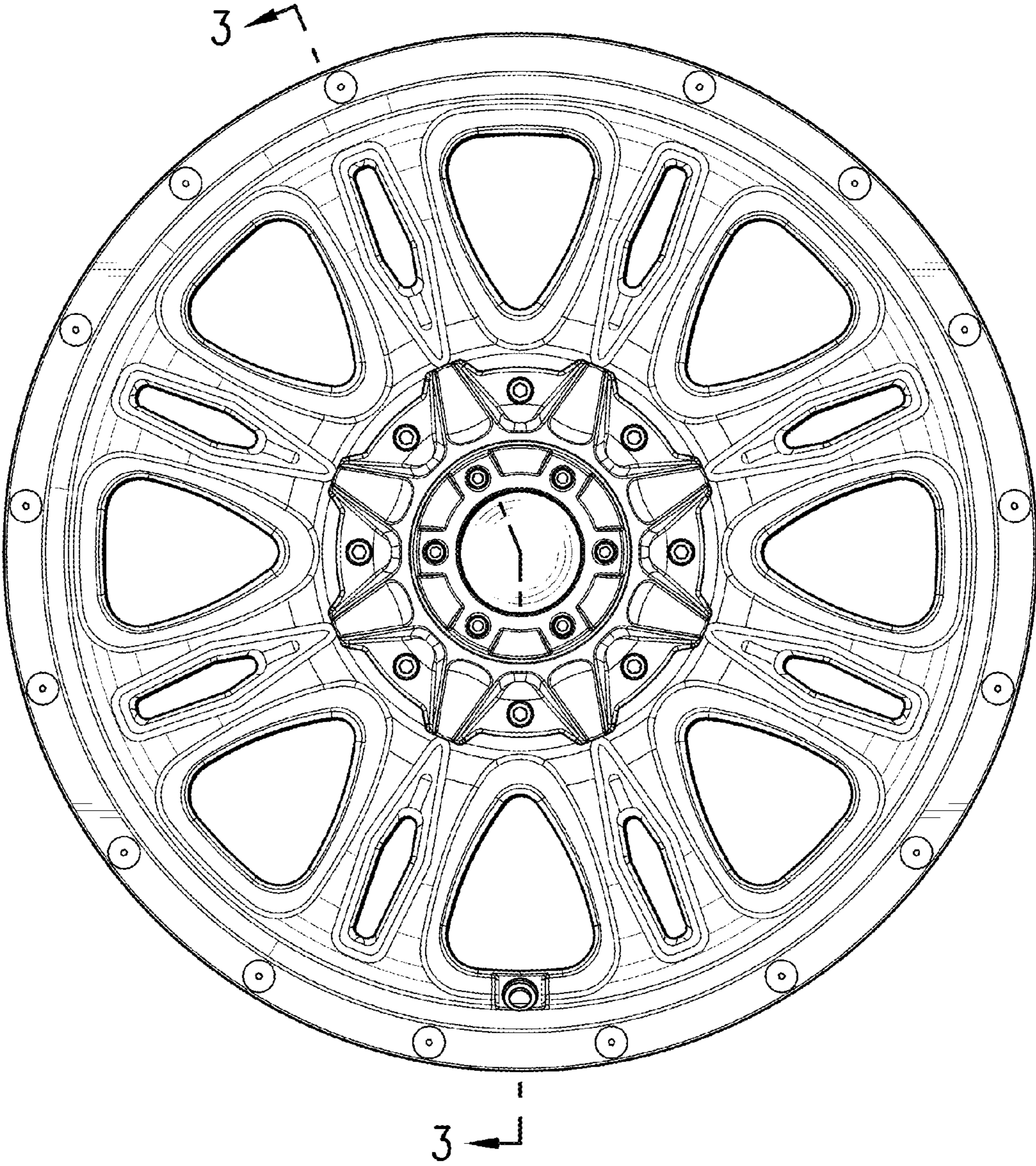


FIG. 2

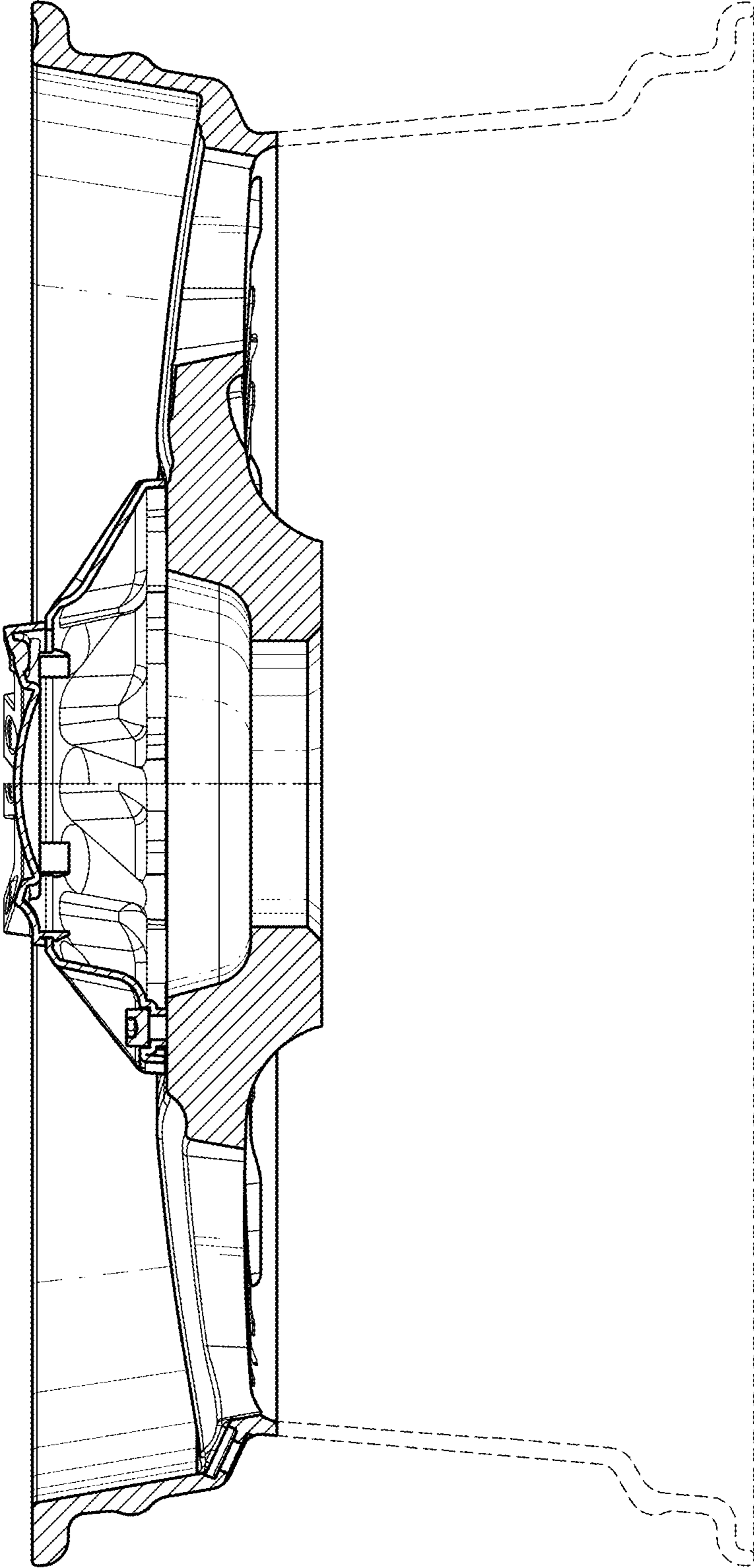


FIG. 3