



US00D691542S

(12) **United States Design Patent**
Chan

(10) **Patent No.:** **US D691,542 S**

(45) **Date of Patent:** **** Oct. 15, 2013**

(54) **VEHICLE WHEEL**

(71) Applicant: **Prestige Autotech Corporation**, Chino,
CA (US)

(72) Inventor: **Gordon Chan**, Temple City, CA (US)

(73) Assignee: **Prestige Autotech Corporation**, Chino,
CA (US)

(**) Term: **14 Years**

(21) Appl. No.: **29/452,897**

(22) Filed: **Apr. 23, 2013**

(51) **LOC (9) Cl.** **12-16**

(52) **U.S. Cl.**
USPC **D12/209**

(58) **Field of Classification Search**
USPC D12/204-213; 301/37.101, 64.101, 65,
301/64.201
See application file for complete search history.

(56) **References Cited**

U.S. PATENT DOCUMENTS

D514,052 S *	1/2006	Walbey, Jr.	D12/211
D543,922 S *	6/2007	Young	D12/209
D548,167 S *	8/2007	Groom	D12/211
D554,037 S *	10/2007	Chung	D12/211
D582,830 S *	12/2008	Musser	D12/211
D625,241 S *	10/2010	Zhao	D12/211
D629,347 S *	12/2010	Kim	D12/211
D639,222 S *	6/2011	Johnson	D12/209

D644,156 S *	8/2011	Johnson	D12/209
D659,064 S *	5/2012	Johnson	D12/209
D659,069 S *	5/2012	Johnson	D12/211
D671,483 S *	11/2012	Chung	D12/211
D680,940 S *	4/2013	Hale, Jr.	D12/211

OTHER PUBLICATIONS

Prestigeautotechcorporation Catalog 2011/2012, cover and p. 4; enlarged photos of Item Nos. 904, 044, 522, 810 (chrome), 810 (black), 811 (chrome), 811 (black), 813 (black with red inserts), 813 (black), 814 (chrome), 814 (black with red inserts), 814 (black), appearing on p. 4, and 3 photographs of the center cap of each of the forgoing item Nos.

* cited by examiner

Primary Examiner — Stacia Cadmus

(74) *Attorney, Agent, or Firm* — Fulwider Patton LLP

(57) **CLAIM**

The ornamental design for the “vehicle wheel,” as shown and described.

DESCRIPTION

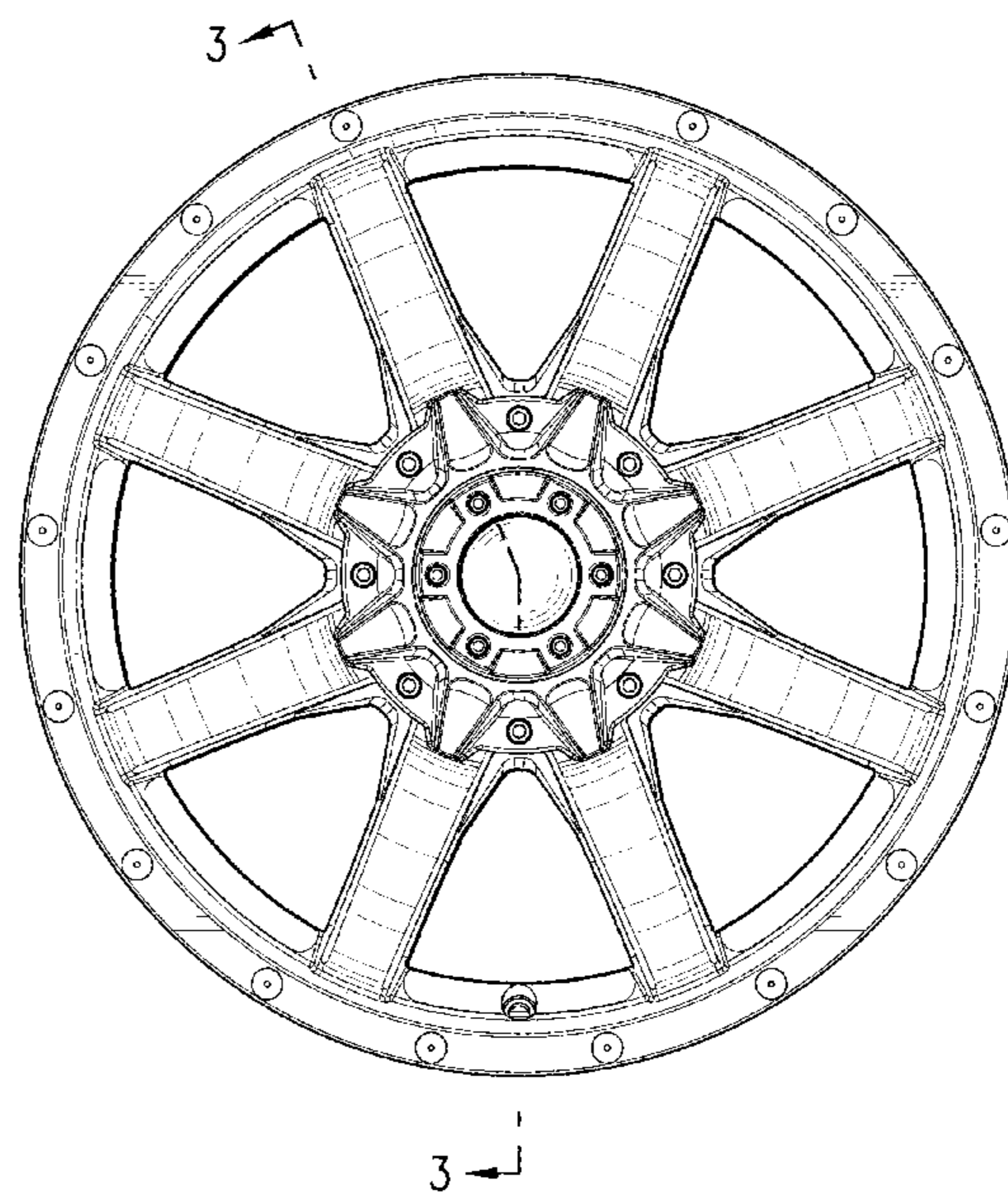
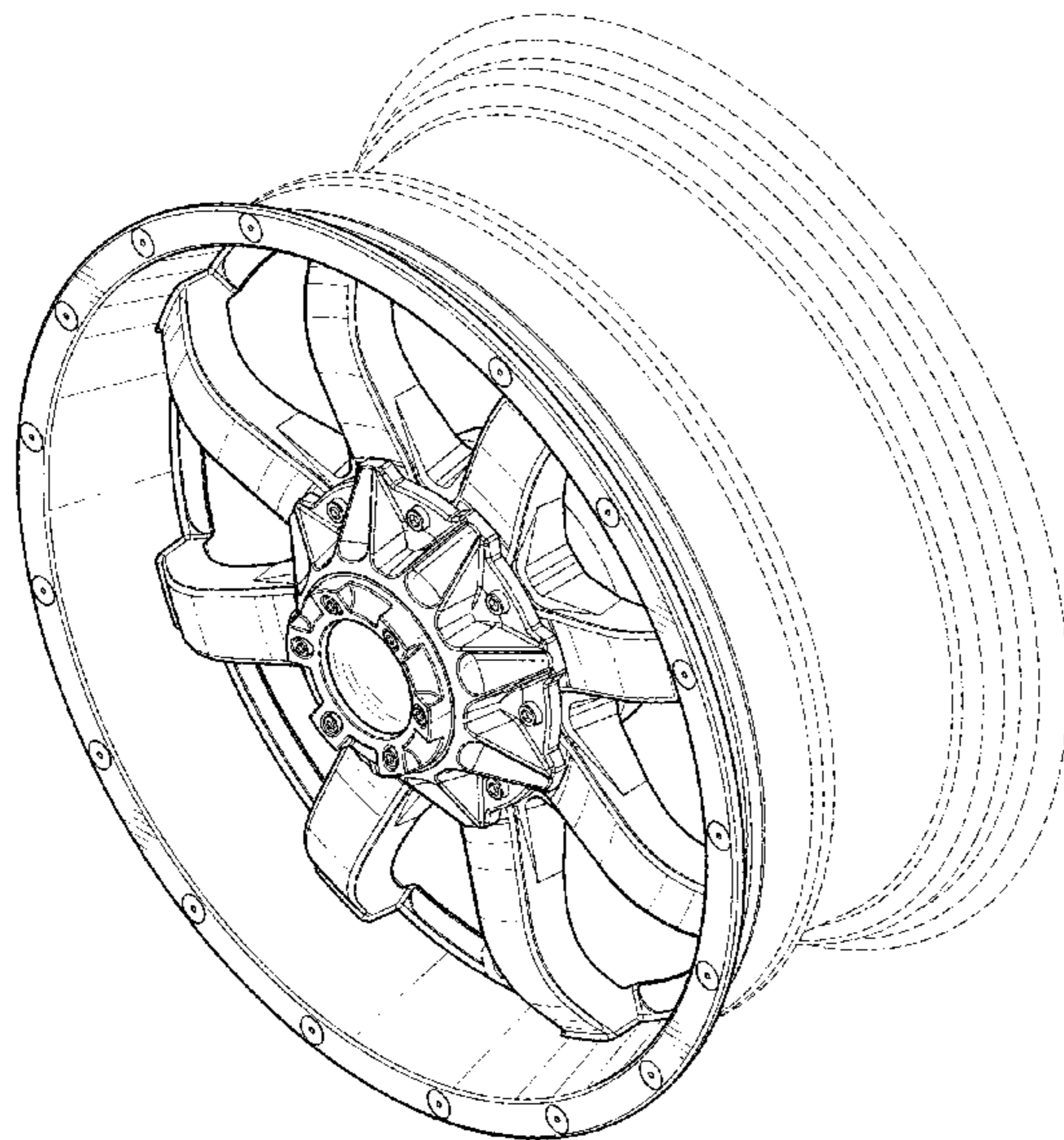
FIG. 1 is a perspective view of the vehicle wheel showing my new design;

FIG. 2 is a front elevational view thereof; and,

FIG. 3 is a cross-sectional view taken along the line 3-3 of FIG. 2.

The broken lines showing the environment are for illustrative purposes only and form no part of the claimed design.

1 Claim, 3 Drawing Sheets



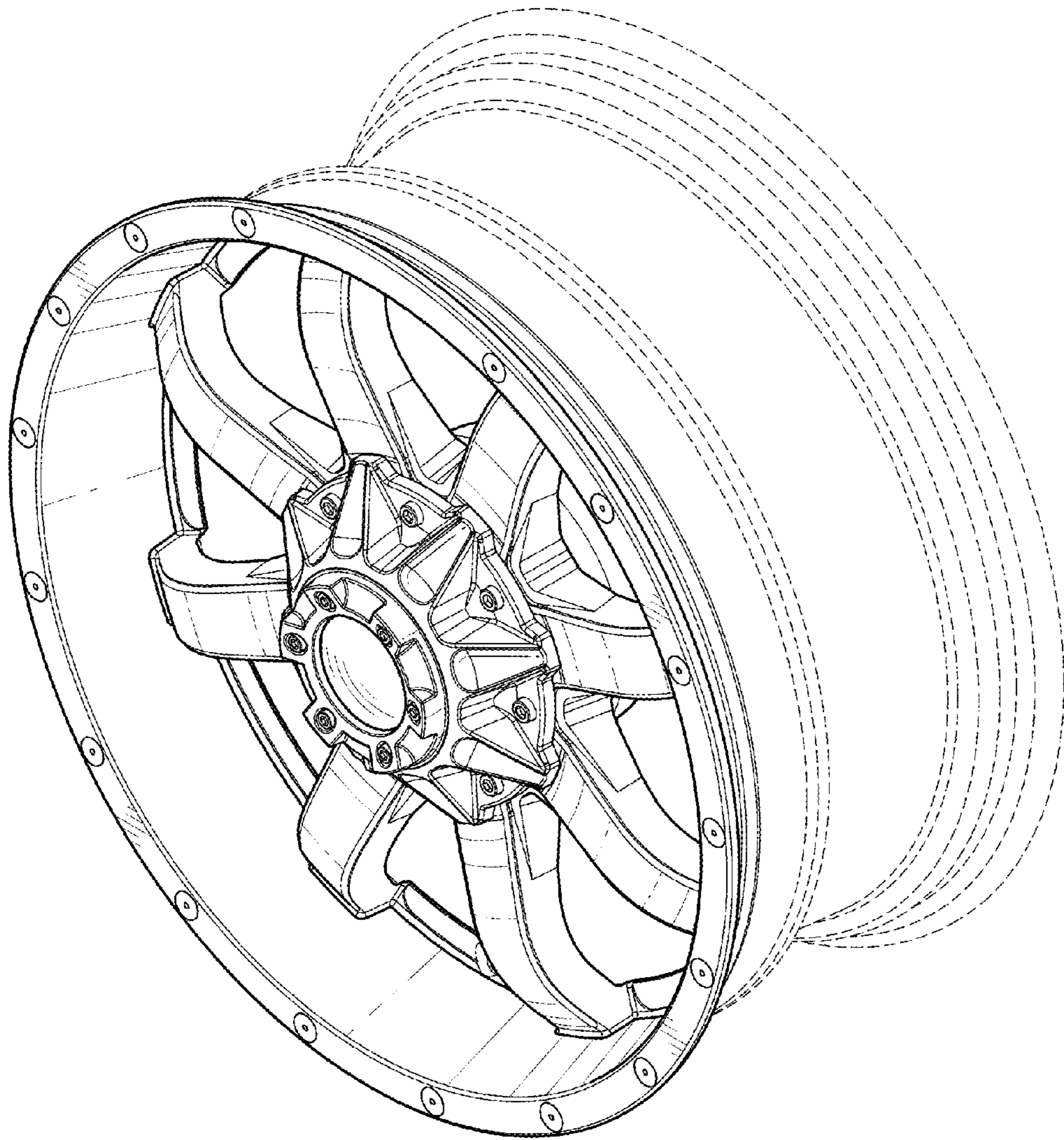
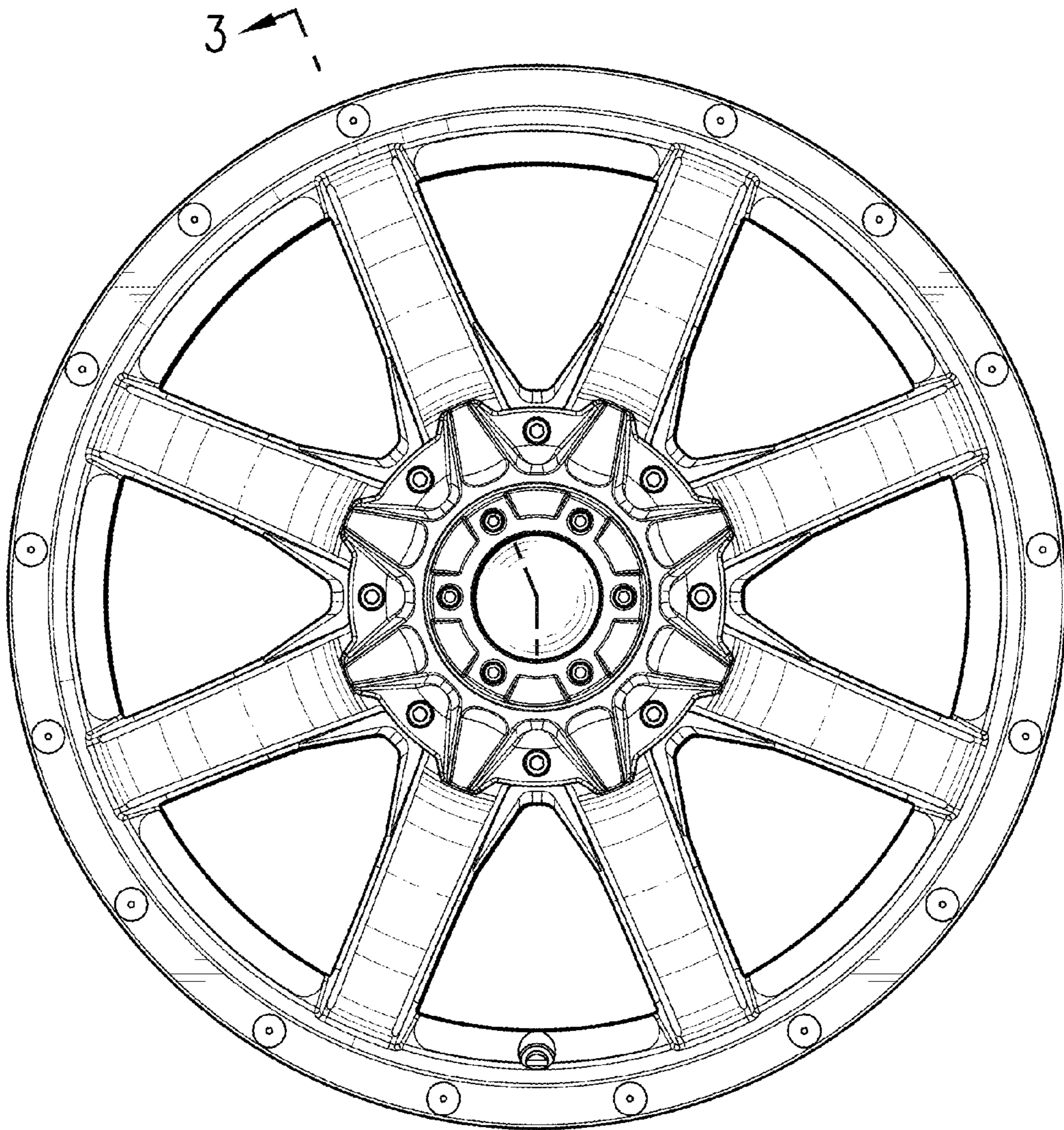


FIG. 1



3 ←

FIG. 2

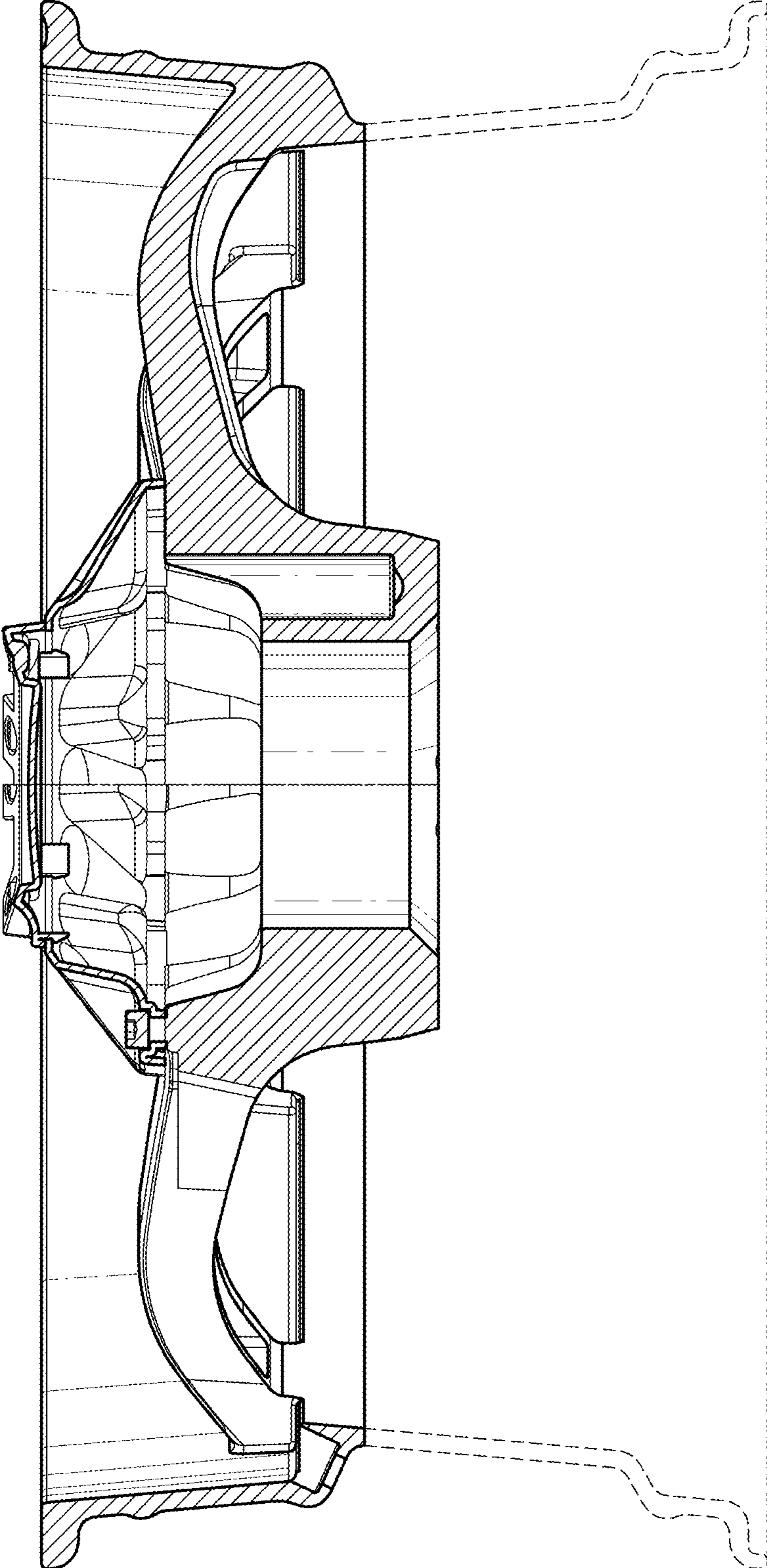


FIG. 3