

US00D691541S

(12) **United States Design Patent**  
**Behmer et al.**

(10) **Patent No.:** **US D691,541 S**  
(45) **Date of Patent:** **\*\* Oct. 15, 2013**

(54) **VEHICLE WHEEL**

(75) Inventors: **Darrell Paul Behmer**, Novi, MI (US);  
**Melvin Betancourt**, Shelby Township,  
MI (US); **Robert Gelardi**, Dearborn, MI  
(US); **John Kim**, Ann Arbor, MI (US)

(73) Assignee: **Ford Motor Company**, Dearborn, MI  
(US)

(\*\*) Term: **14 Years**

(21) Appl. No.: **29/406,166**

(22) Filed: **Nov. 10, 2011**

(51) **LOC (9) Cl.** ..... **12-16**

(52) **U.S. Cl.**  
USPC ..... **D12/209**

(58) **Field of Classification Search**  
USPC ..... D12/204-213; 301/37.101, 64.101, 65,  
301/64.201  
See application file for complete search history.

(56) **References Cited**

**U.S. PATENT DOCUMENTS**

D453,134 S \* 1/2002 Murkett et al. .... D12/209  
D606,477 S 12/2009 Gelardi

D629,346 S \* 12/2010 Szews ..... D12/211  
D644,588 S \* 9/2011 Schweizer ..... D12/211  
D648,254 S \* 11/2011 Barry ..... D12/209  
D649,503 S \* 11/2011 Platto et al. .... D12/209  
D649,923 S \* 12/2011 Hans et al. .... D12/211  
D651,956 S \* 1/2012 Ectors et al. .... D12/209  
D664,081 S \* 7/2012 Muller ..... D12/209  
D671,057 S \* 11/2012 Tanevski et al. .... D12/209  
D672,702 S \* 12/2012 Pollmann ..... D12/211

**OTHER PUBLICATIONS**

All About Cars and Trucks, Aug. 17, 2011, 2013 Ford Mustang Spy  
Photos.  
Car and Driver, undated, 2013 Ford Mustang Shelby GT500 (spy  
photo).  
Motorauthority, Jun. 19, 2011, 2013 Ford Mustang Shelby GT500  
spy shots.

\* cited by examiner

*Primary Examiner* — Stacia Cadmus

(74) *Attorney, Agent, or Firm* — Damian Porcari

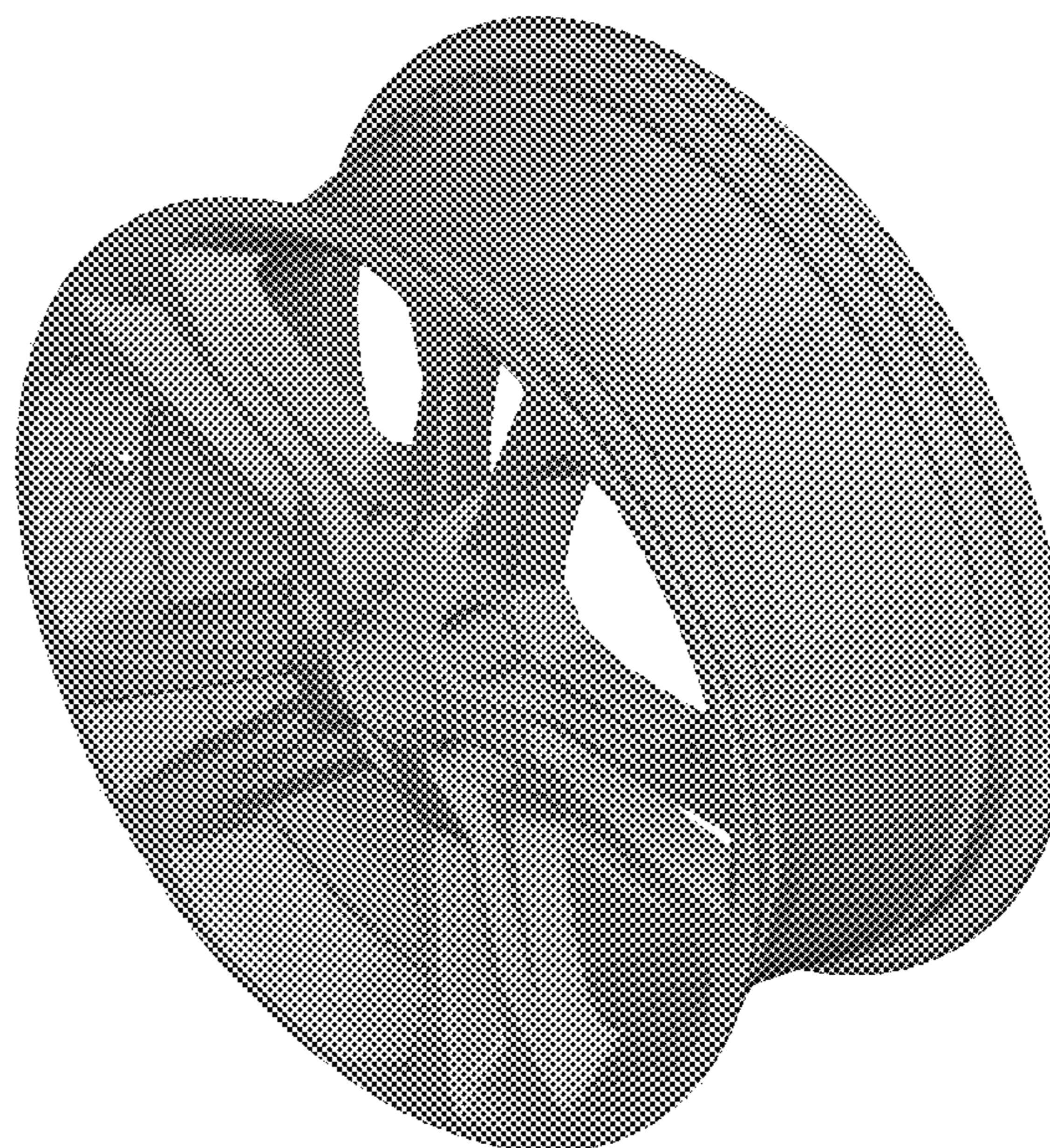
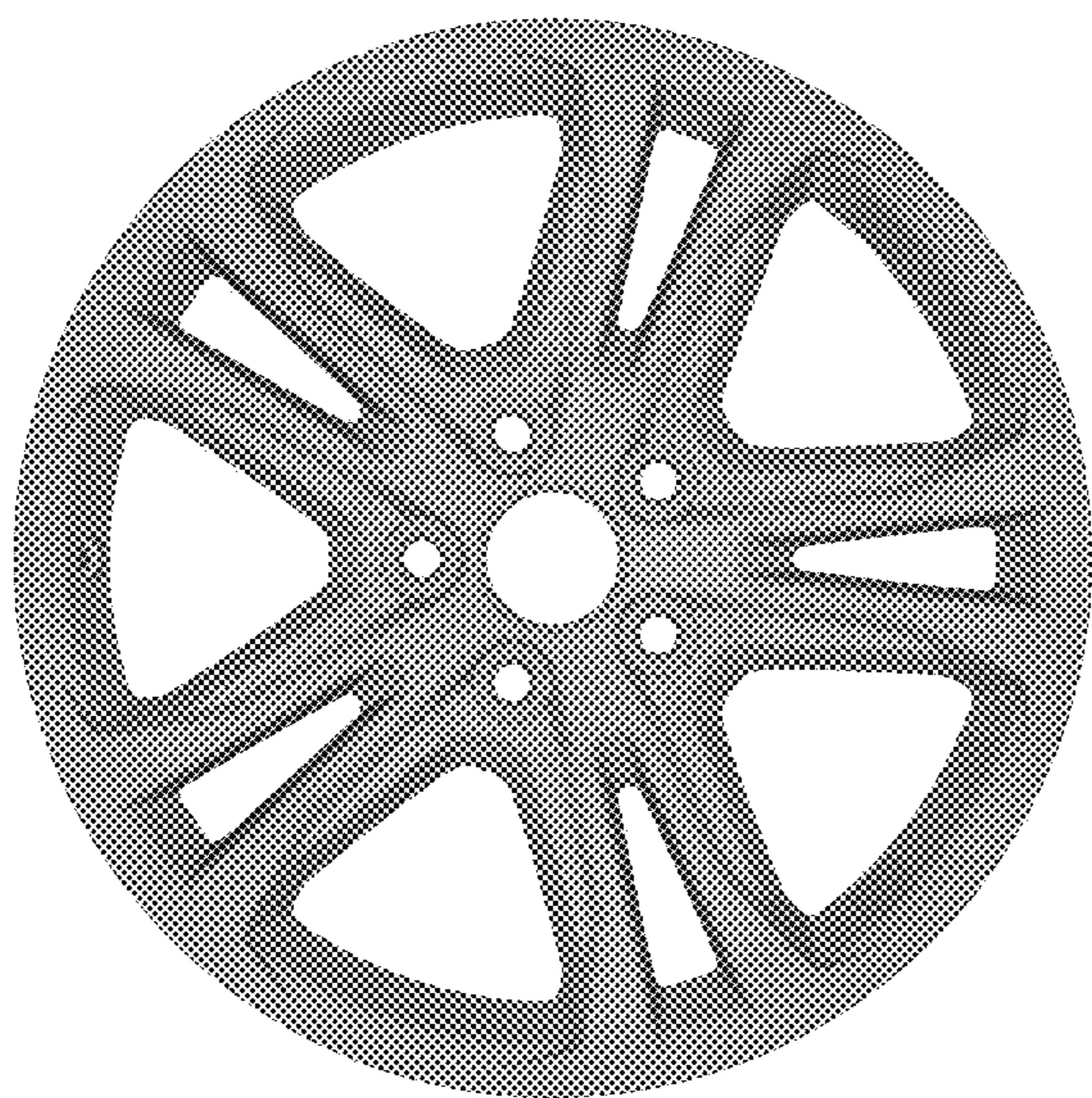
(57) **CLAIM**

The ornamental design for a vehicle wheel, as shown and  
described.

**DESCRIPTION**

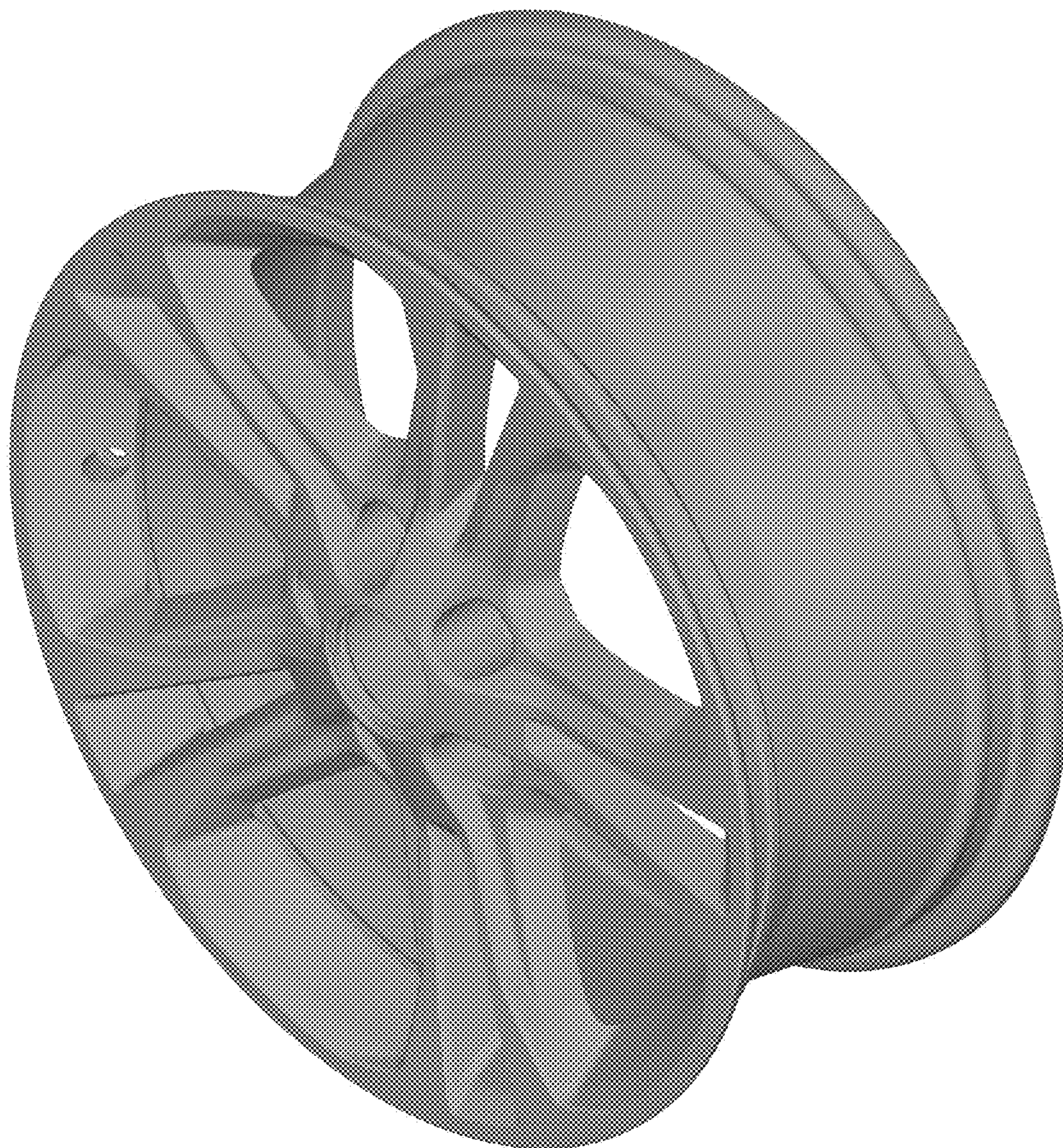
FIG. 1 is a front view of a vehicle wheel; and,  
FIG. 2 is a perspective view of the vehicle wheel.

**1 Claim, 2 Drawing Sheets**





*Figure 1*



*Figure 2*