



US00D691539S

(12) **United States Design Patent**
Kwon et al.

(10) **Patent No.:** **US D691,539 S**
(45) **Date of Patent:** **** Oct. 15, 2013**

(54) **DOOR PANEL SET FOR AN AUTOMOBILE**

(75) Inventors: **Pansoo Kwon**, Okazaki (JP); **Shinno Kato**, Miyoshi (JP)

(73) Assignee: **Toyota Jidosha Kabushiki Kaisha**, Toyota-shi (Aichi-ken) (JP)

(**) Term: **14 Years**

(21) Appl. No.: **29/425,112**

(22) Filed: **Jun. 20, 2012**

(30) **Foreign Application Priority Data**

Dec. 27, 2011 (JP) 2011-030123

(51) **LOC (9) Cl.** **12-16**

(52) **U.S. Cl.**
USPC **D12/196**

(58) **Field of Classification Search**
USPC D12/90, 91, 92, 184, 196; 280/152.1,
280/847, 848, 849, 851; 296/181.1, 181.5
See application file for complete search history.

(56) **References Cited**

U.S. PATENT DOCUMENTS

D468,247 S *	1/2003	Vandillen	D12/196
D620,841 S *	8/2010	Sakae et al.	D12/92
D626,456 S *	11/2010	Miyata et al.	D12/92
D645,804 S *	9/2011	Kubo et al.	D12/196
D654,419 S *	2/2012	Tomatsu et al.	D12/196
D655,228 S *	3/2012	Kumai et al.	D12/196
D658,556 S *	5/2012	Hakamata et al.	D12/196
D659,620 S *	5/2012	Matsumoto et al.	D12/196
D660,212 S *	5/2012	Ikuma et al.	D12/196
D671,469 S *	11/2012	Yamada et al.	D12/196
D676,367 S *	2/2013	Yamada et al.	D12/196
D679,221 S *	4/2013	Tomatsu et al.	D12/92

OTHER PUBLICATIONS

2013 Lexus EX. Innovation Elevated to an Art Form. Electronic Brochure. Aug. 16, 2012 [online], [retrieved on May 24, 2013]. Retrieved from the Internet <URL: http://www.auto-brochures.com/makes/lexus/ES/Lexus_US%20ES_2013.pdf>.*

2011 Lexus EX. Hundreds of Rational Reasons, Should You Need One. Electronic Brochure. Sep. 17, 2010 [online], [retrieved on May 24, 2013]. Retrieved from the Internet <URL: http://www.auto-brochures.com/makes/lexus/ES/Lexus_US%20ES_2011.pdf>.*

Pansoo Kwon et al., U.S. Appl. No. 29/425,158, filed Jun. 20, 2012, Door for an Automobile.

Pansoo Kwon et al., U.S. Appl. No. 29/425,156, filed Jun. 20, 2012, Door for an Automobile.

(Continued)

Primary Examiner — Philip S Hyder

Assistant Examiner — Darlington Ly

(74) *Attorney, Agent, or Firm* — Finnegan, Henderson, Farabow, Garrett & Dunner, LLP

(57) **CLAIM**

The ornamental design for door panel set for an automobile, as shown and described.

DESCRIPTION

FIG. 1 is a front perspective view of door panel set for an automobile showing our new design;

FIG. 2 is a rear perspective view thereof;

FIG. 3 is a front view thereof;

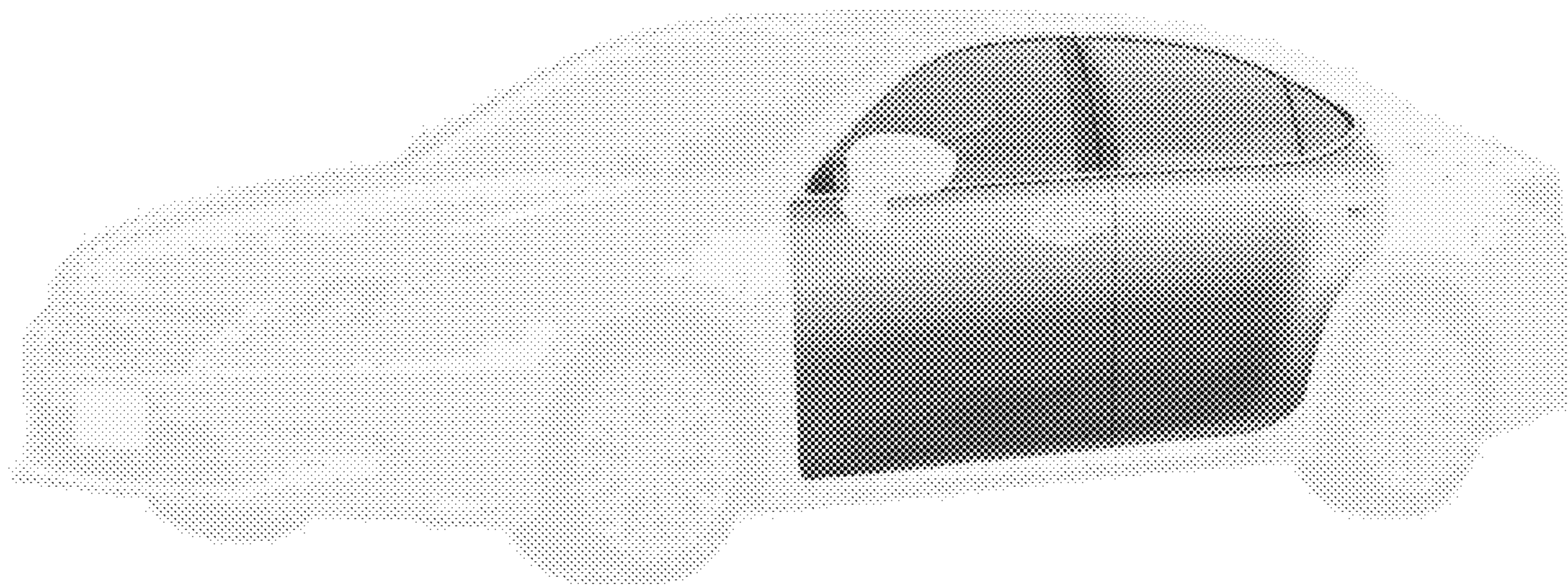
FIG. 4 is a rear view thereof;

FIG. 5 is a side view thereof; and,

FIG. 6 is a top plan view thereof.

The de-emphasized and halftone portions shown in the drawings illustrate environmental structure for the door panel for an automobile that form no part of claimed design.

1 Claim, 5 Drawing Sheets



(56)

References Cited

OTHER PUBLICATIONS

Pansoo Kwon et al., U.S. Appl. No. 29/425,116, filed Jun. 20, 2012, Body Portion of an Automobile.

Pansoo Kwon et al., U.S. Appl. No. 29/425,109, filed Jun. 20, 2012, Automobile and/or Toy Replica thereof.

Netcarshow.com; Audi A4; Mfg. Audi; http://www.netcarshow.com/audi/2009-a4/1024x768/wallpaper_03.htm; Mar. 2011.

BMW official site; BMW 5 series (Sedan); Mfg. BMW; <http://www.bmw.co.jp/jp/ja/newvehicles/5series/sedan/2010/showroom/gallery/index.html#medialD-1>; Mar. 2011.

Netcarshow.com; Audi 4A; Mfg. Audi; http://www.netcarshow.com/audi/2009-a4/1024x768/wallpaper_10.htm; Mar. 2011.

BMW official site; BMW 5 series (Sedan); Mfg. BMW; <http://www.bmw.co.jp/jp/ja/newvehicles/5series/sedan/2010/showroom/gallery/index.html#medialD-3>; Mar. 2011.

Netcarshow.com; Audi 4A; Mfg. Audi; http://www.netcarshow.com/audi/2009-a4/800x600/wallpaper_10.htm; Mar. 2011.

Netcarshow.com; BMW 5 series; Mfg. BMW; <http://www.bmw.co.jp/jp/ja/newvehicles/5series/sedan/2010/showroom/gallery/index.html#>; Mar. 2011.

Netcarshow.com; Lexus CT200h; Mfg. Toyota; http://www.netcarshow.com/lexus/2011-ct_200h.1280x960/wallpaper_31.htm; Mar. 2011.

* cited by examiner

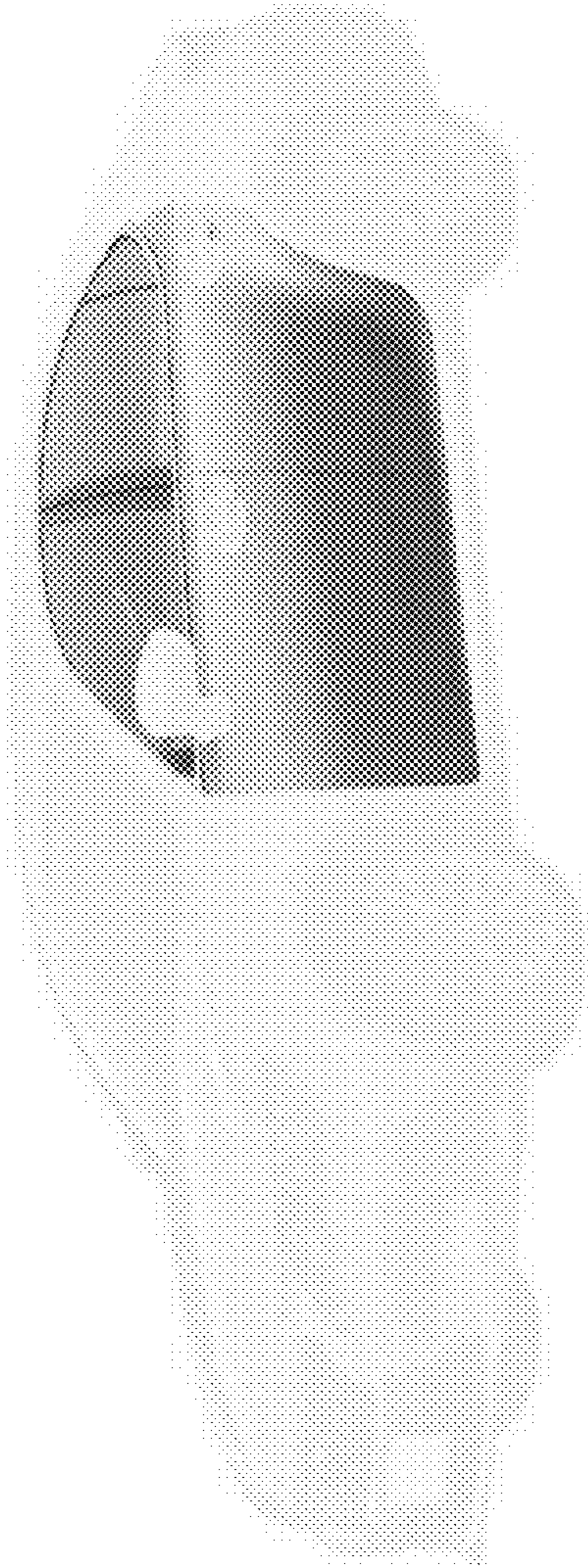


FIG. 1

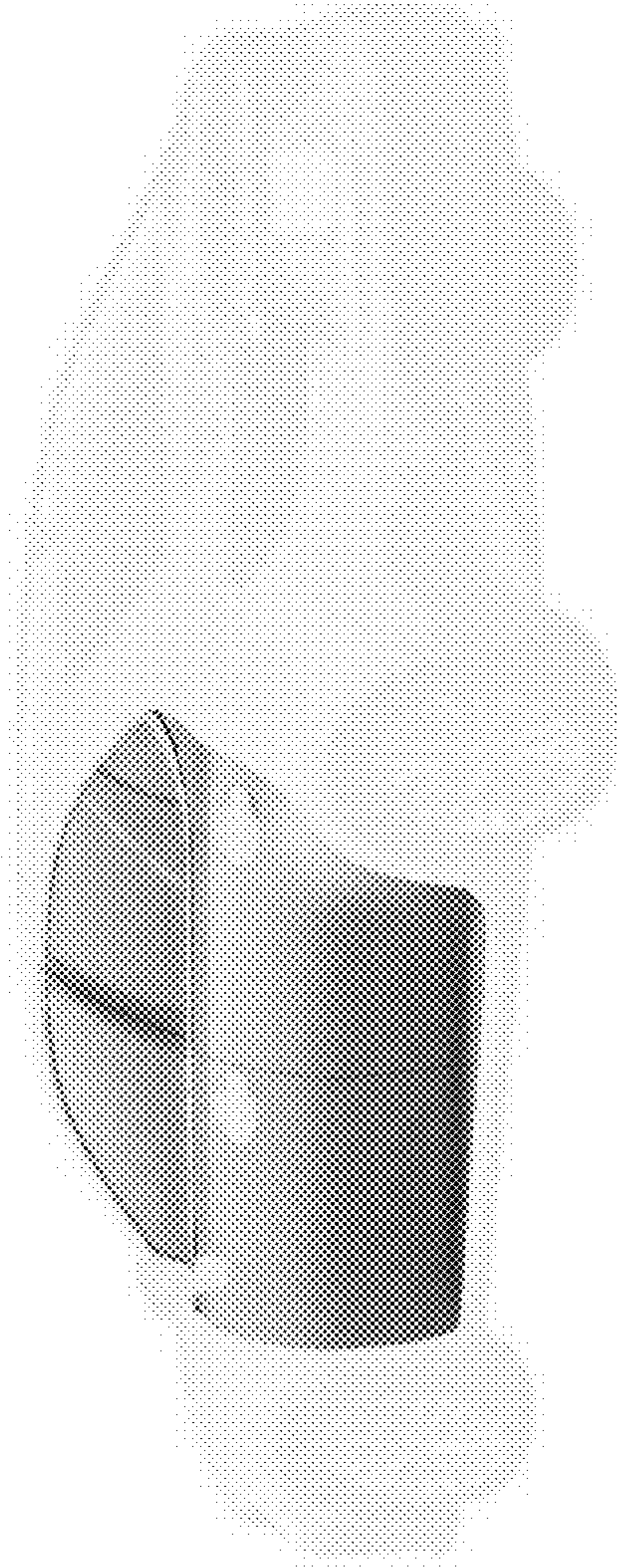


FIG. 2

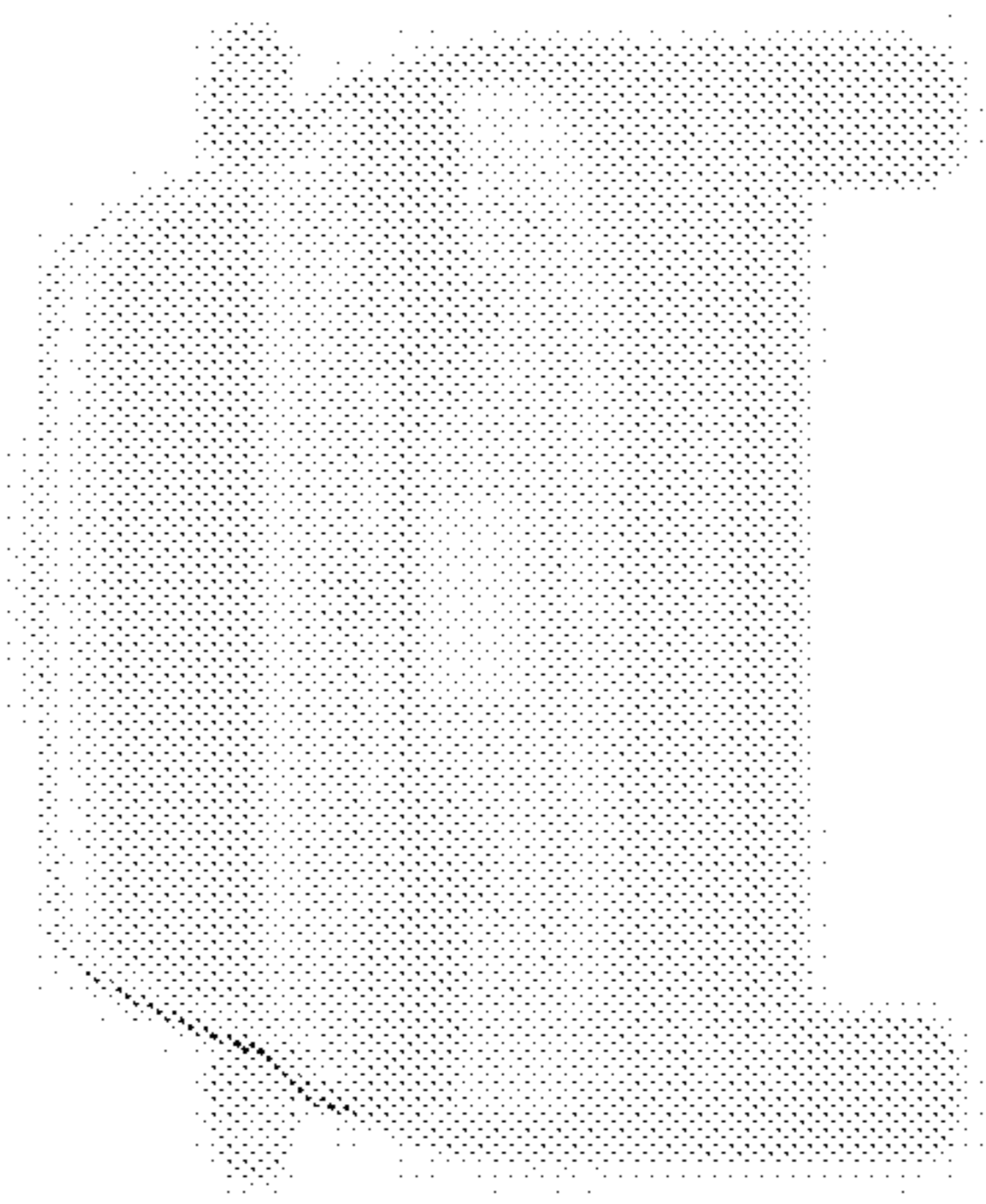


FIG. 4

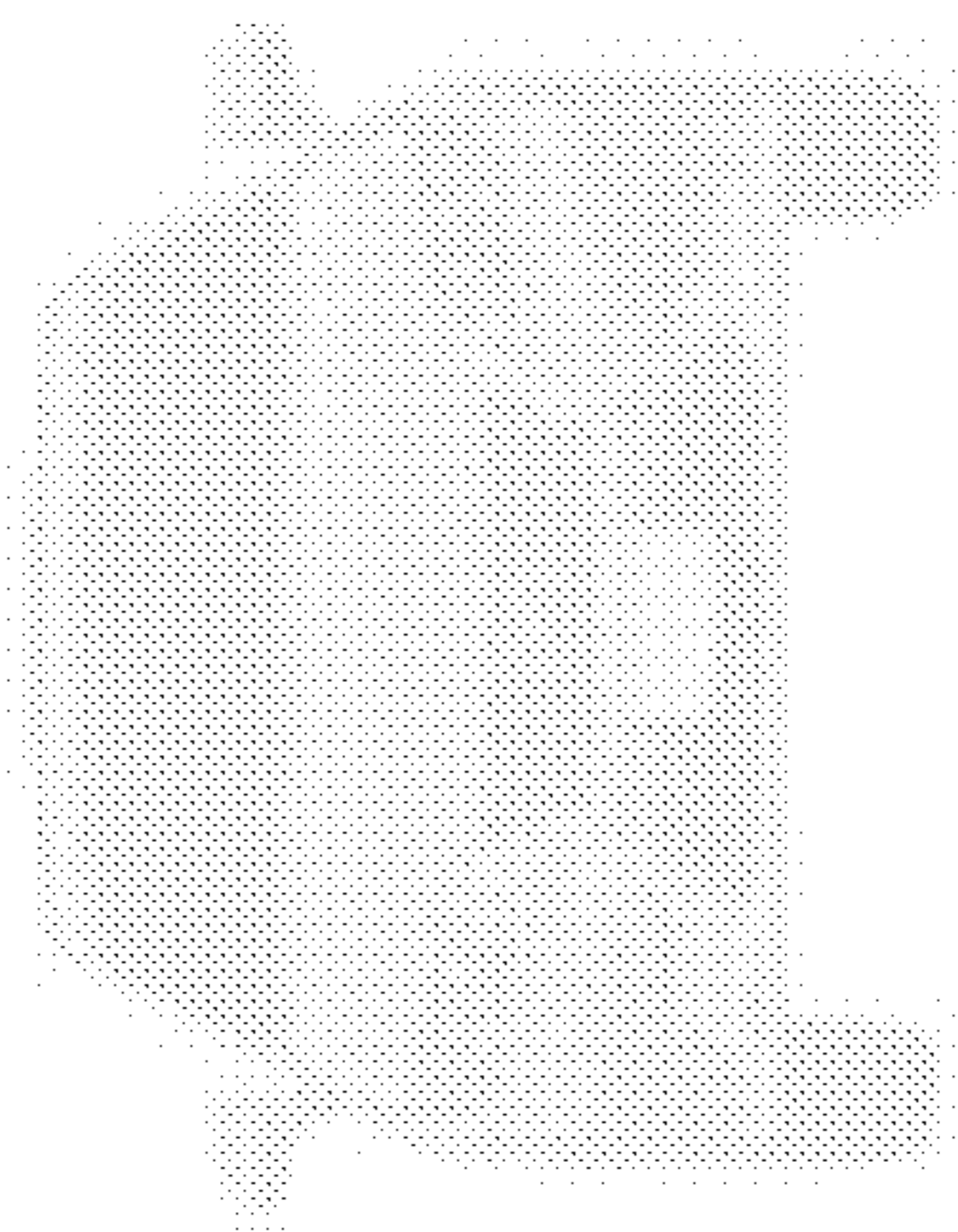


FIG. 3

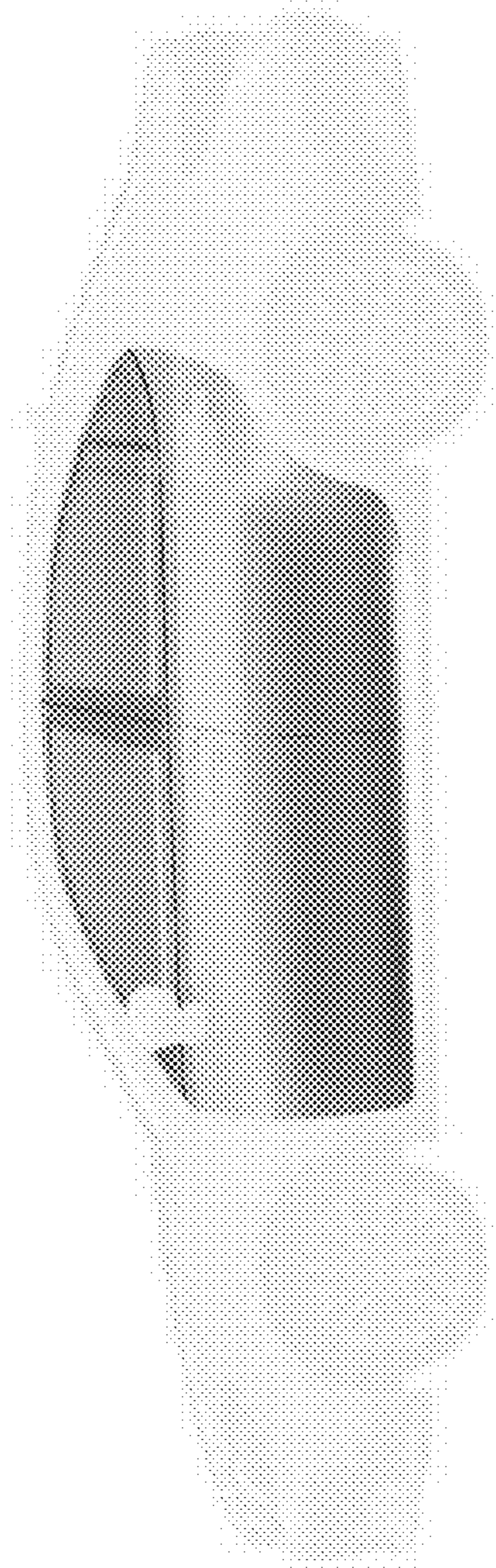


FIG. 5

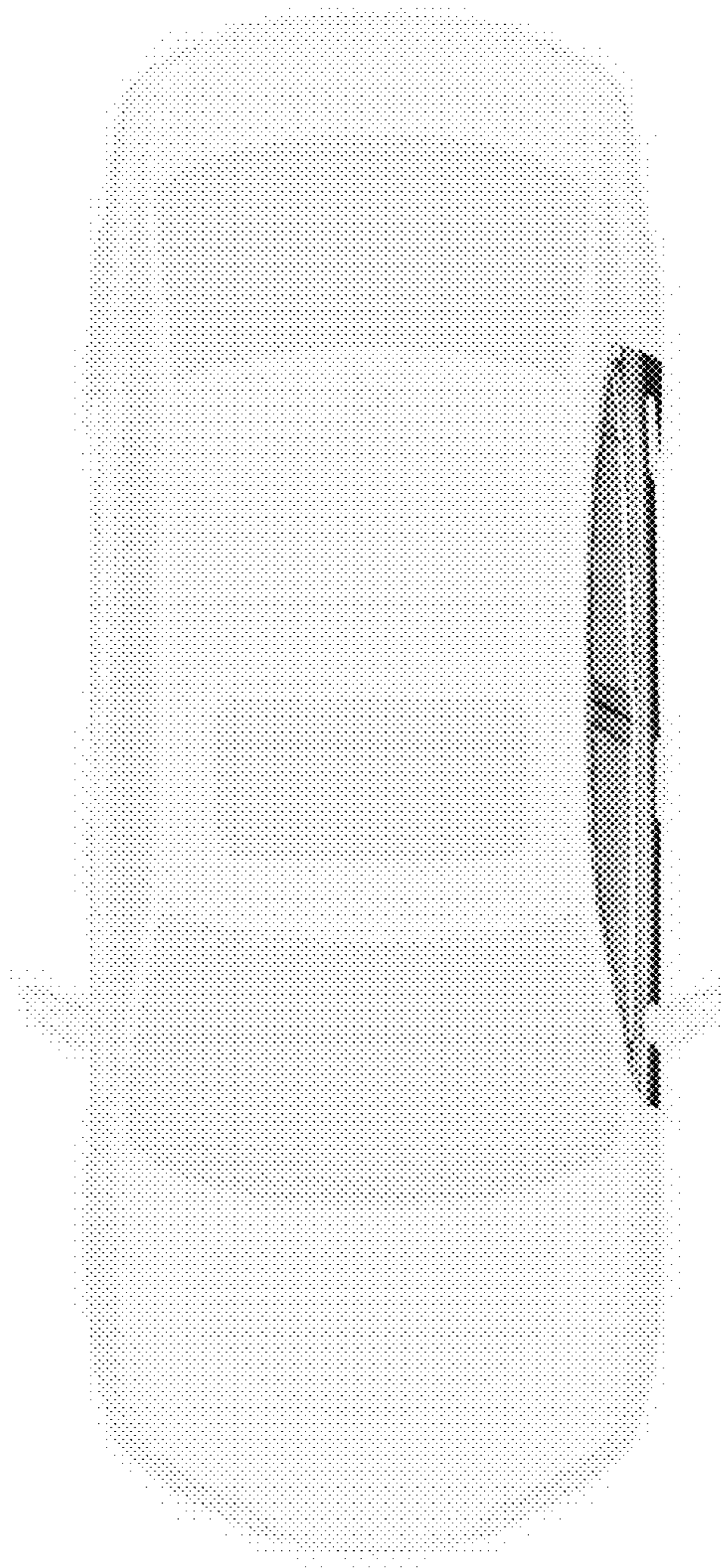


FIG. 6

UNITED STATES PATENT AND TRADEMARK OFFICE
CERTIFICATE OF CORRECTION

PATENT NO. : D691,539 S
APPLICATION NO. : 29/425112
DATED : October 15, 2013
INVENTOR(S) : Pansoo Kwon and Shinno Kato

Page 1 of 1

It is certified that error appears in the above-identified patent and that said Letters Patent is hereby corrected as shown below:

Title Page: Item (57)

CLAIM

In the claim, insert --a-- before “door panel set”

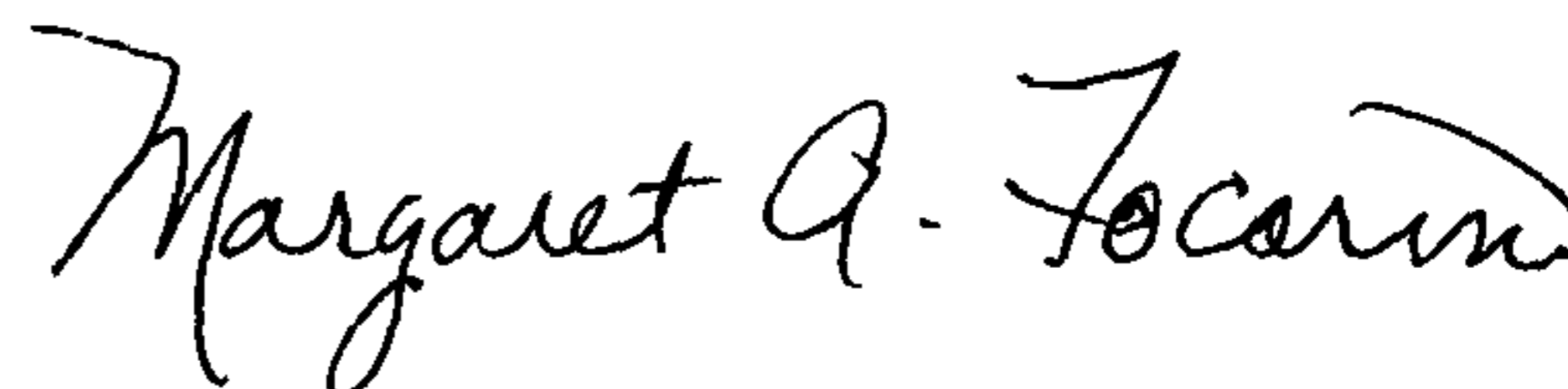
DESCRIPTION

In FIG. 1, insert --a-- before “door panel set”

At the end of the paragraph following the FIG. 6 description, insert the following:

--Our design includes a mirror image of the embodiment depicted.--

Signed and Sealed this
Seventh Day of January, 2014



Margaret A. Focarino
Commissioner for Patents of the United States Patent and Trademark Office