

US00D691537S

(12) **United States Design Patent**
Tada et al.

(10) **Patent No.:** **US D691,537 S**
(45) **Date of Patent:** **** Oct. 15, 2013**

(54) **SIDE PANEL FOR AN AUTOMOBILE**

(75) Inventors: **Hiroyuki Tada**, Nagoya (JP); **Masayuki Yamaji**, Miyoshi (JP)

(73) Assignee: **Toyota Jidosha Kabushiki Kaisha**, Toyota-shi (Aichi-ken) (JP)

(**) Term: **14 Years**

(21) Appl. No.: **29/424,118**

(22) Filed: **Jun. 7, 2012**

(30) **Foreign Application Priority Data**

Mar. 9, 2012 (JP) 2012-005410

(51) **LOC (9) Cl.** **12-16**

(52) **U.S. Cl.**
USPC **D12/196**

(58) **Field of Classification Search**
USPC D12/90, 91, 92, 184, 196; 280/152.1,
280/847, 848, 849, 851; 296/181.1, 181.5
See application file for complete search history.

(56) **References Cited**

U.S. PATENT DOCUMENTS

D563,275 S *	3/2008	Kim et al.	D12/91
D645,387 S *	9/2011	Kumai et al.	D12/196
D647,429 S *	10/2011	Yamaji et al.	D12/91
D647,836 S *	11/2011	Kubo et al.	D12/196
D658,558 S *	5/2012	Hakamata et al.	D12/196
D660,216 S *	5/2012	Ikuma et al.	D12/196
D671,873 S *	12/2012	Yamada et al.	D12/196

OTHER PUBLICATIONS

2012 Scion xB. Electronic Brochure. Aug. 26, 2011 [online], [retrieved on May 24, 2013]. Retrieved from the Internet <URL: http://www.auto-brochures.com/makes/Scion/xB/Scion_US%20xB_2012.pdf>.*

2012 Scion xD. Electronic Brochure. Aug. 26, 2011 [online], [retrieved on May 24, 2013]. Retrieved from the Internet <URL: http://www.auto-brochures.com/makes/Scion/xD/Scion_US%20xD_2012.pdf>.*
U.S. Appl. No. 29/424,044, filed Jun. 7, 2012, Hiroyuki Tada et al., Door for an Automobile.
U.S. Appl. No. 29/424,088, filed Jun. 7, 2012, Hiroyuki Tada et al., Door for an Automobile.
U.S. Appl. No. 29/424,095, filed Jun. 7, 2012, Syouta Asano et al., Door for an Automobile.
AutoCone.com; FunCargo; Mfg.: Toyota; <http://autoc-onejp/toyota/funcargo/photo/2/> (2004).
Yunyusa no subete 2007; KANGOO; Mfg.: Renault; Publisher: San-eishobo Publishing Co., Ltd.; (May 6, 2007).

* cited by examiner

Primary Examiner — Philip S Hyder

Assistant Examiner — Darlington Ly

(74) *Attorney, Agent, or Firm* — Finnegan, Henderson, Farabow, Garrett & Dunner, LLP

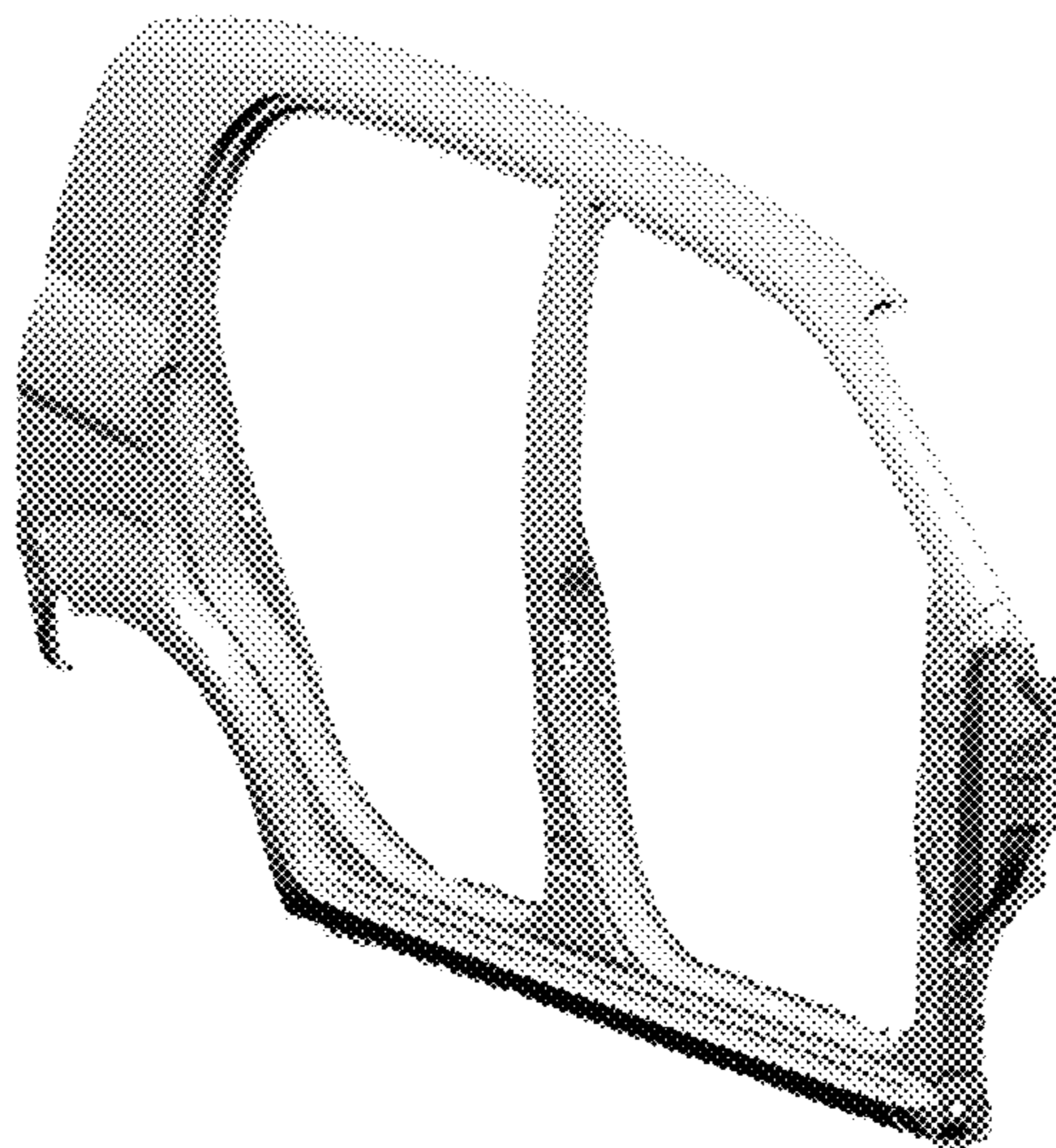
(57) **CLAIM**

The ornamental design for a side panel for an automobile, as shown and described.

DESCRIPTION

FIG. 1 is a perspective view of a side panel for an automobile showing our new design;
FIG. 2 is a front view thereof;
FIG. 3 is rear view thereof;
FIG. 4 is a left side view thereof;
FIG. 5 is a right side view thereof;
FIG. 6 is a top plan view thereof; and,
FIG. 7 is a bottom view.
Our design includes the mirror image of the embodiment depicted.

1 Claim, 5 Drawing Sheets



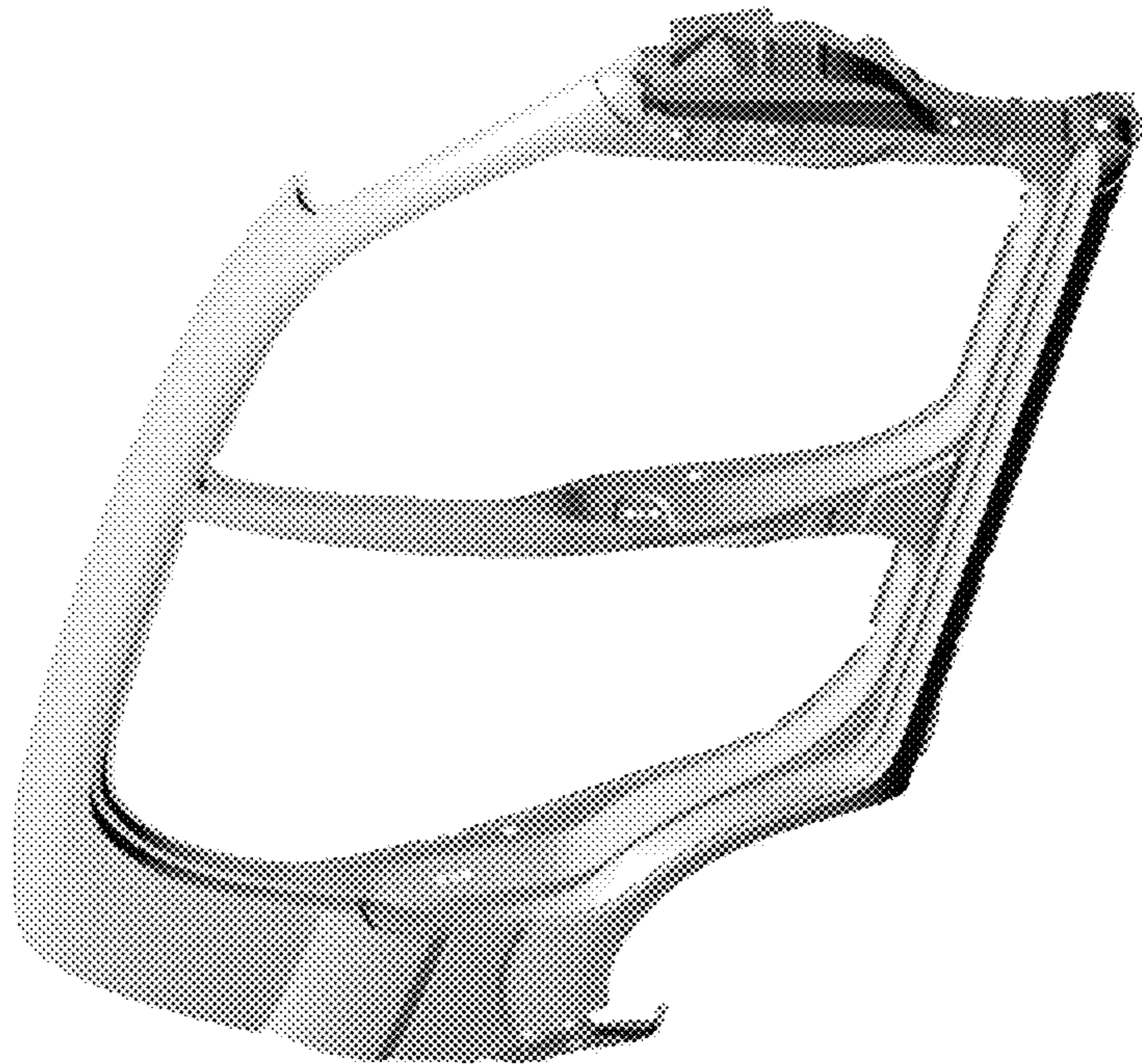


FIG. 1

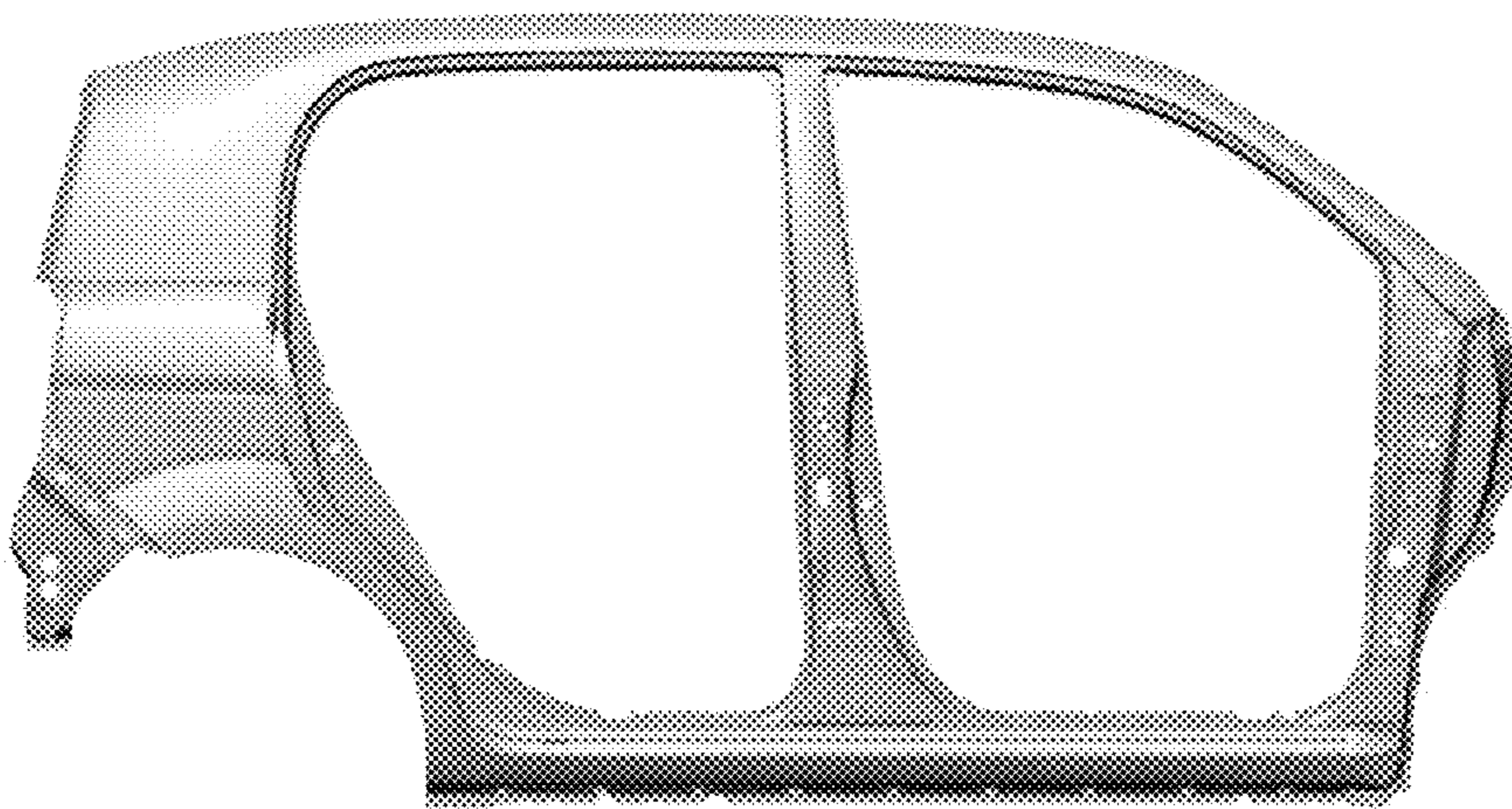


FIG. 2

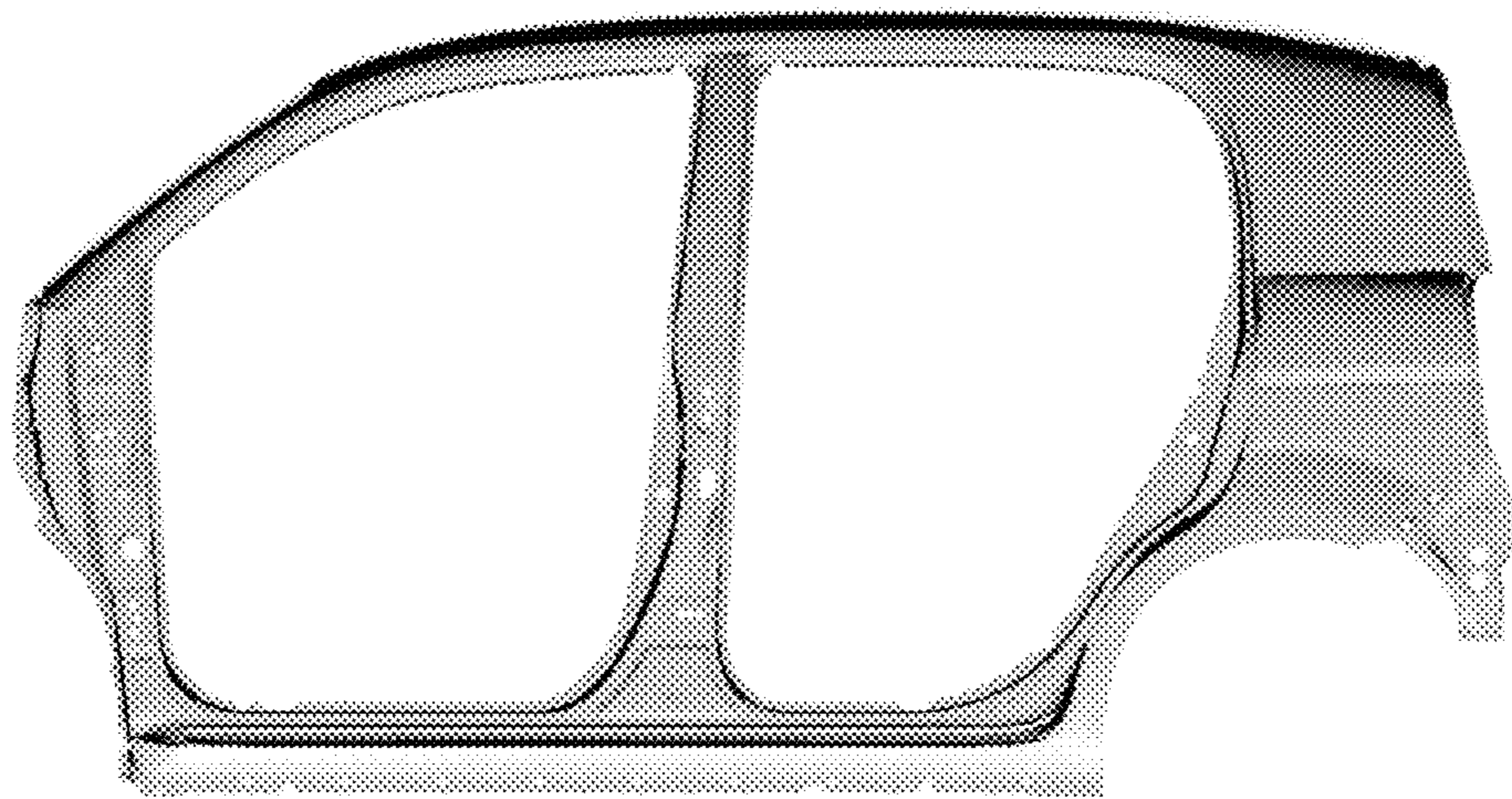


FIG. 3

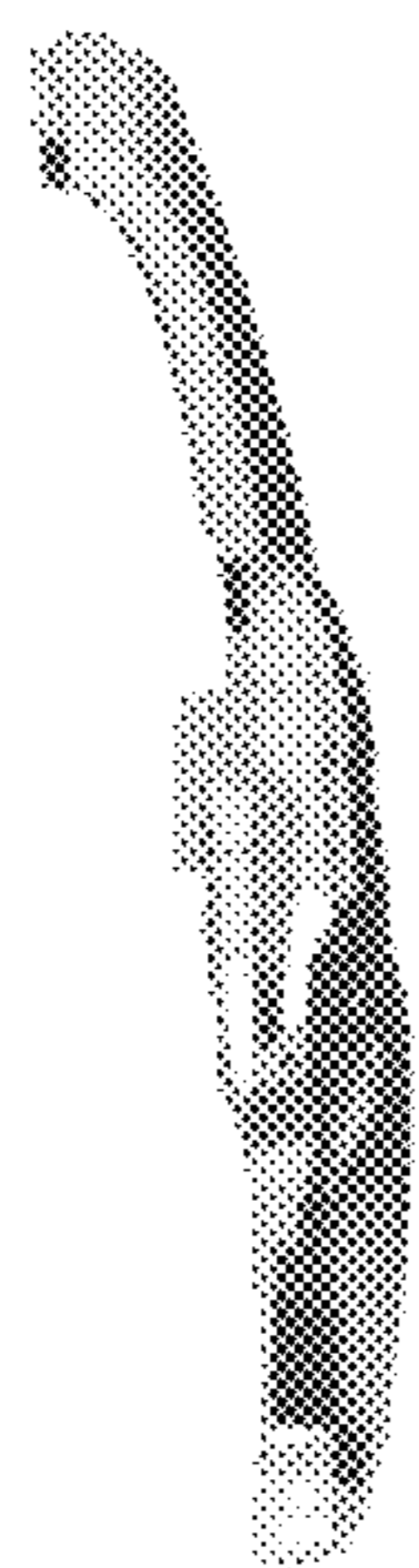


FIG. 4

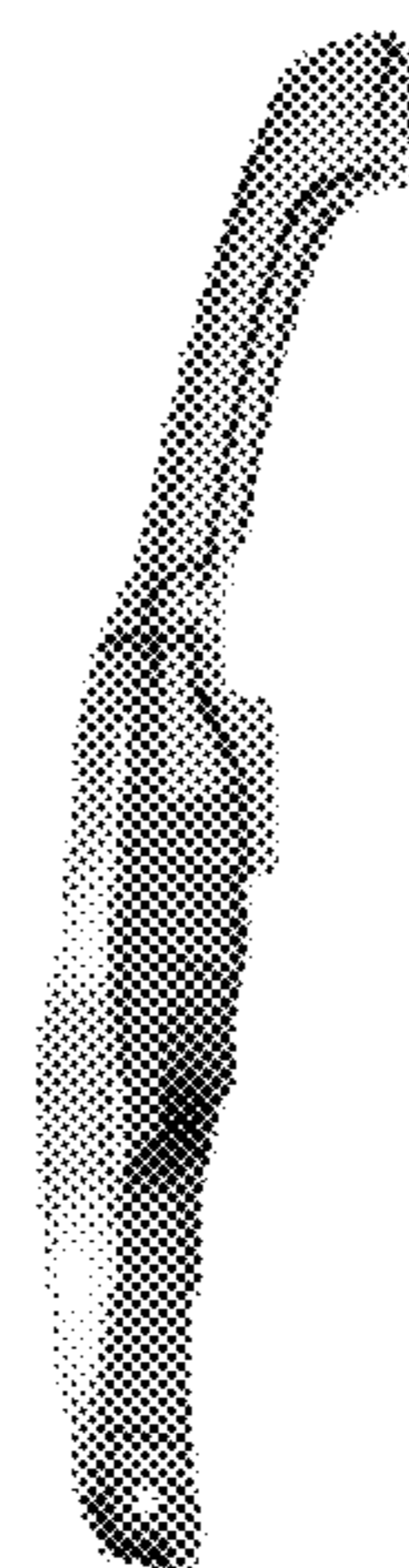


FIG. 5



FIG. 6



FIG. 7