



US00D691534S

(12) **United States Design Patent**
Spencer et al.

(10) **Patent No.:** **US D691,534 S**

(45) **Date of Patent:** **** Oct. 15, 2013**

(54) **LICENSE PLATE FRAME**

(71) Applicant: **Cruiser Accessories, LLC**, Monument, CO (US)

(72) Inventors: **Todd Spencer**, Monument, CO (US); **Eldon Goates**, Colorado Springs, CO (US); **Bret Zelenka**, Monument, CO (US); **Michael J. Schwartz**, Colorado Springs, CO (US)

(73) Assignee: **Cruiser Accessories, LLC**, Monument, CO (US)

(**) Term: **14 Years**

(21) Appl. No.: **29/442,990**

(22) Filed: **Jun. 26, 2013**

(51) **LOC (9) Cl.** **12-16**

(52) **U.S. Cl.**
USPC **D12/193**

(58) **Field of Classification Search**
USPC D12/193; D6/300-302, 310-314;
40/200-204, 207-214; D20/13;
348/148, 373

See application file for complete search history.

(56) **References Cited**

U.S. PATENT DOCUMENTS

D440,194 S * 4/2001 Hussaini et al. D12/193
D442,130 S * 5/2001 Hussaini et al. D12/193

D521,916 S * 5/2006 Spencer D12/193
D538,722 S * 3/2007 Tofer D12/193
D603,317 S * 11/2009 Lee D12/193
D619,948 S * 7/2010 Lee D12/193
D619,949 S * 7/2010 Lee D12/193
D650,729 S * 12/2011 Dong D12/193

* cited by examiner

Primary Examiner — Stacia Cadmus

(74) *Attorney, Agent, or Firm* — Linda Flewellen Gould

(57) **CLAIM**

The ornamental design for a license plate frame, as shown and described.

DESCRIPTION

FIG. 1 is a perspective front view showing our new design for a license plate frame.

FIG. 2 is magnified view of a portion of the license plate frame shown in FIG. 1.

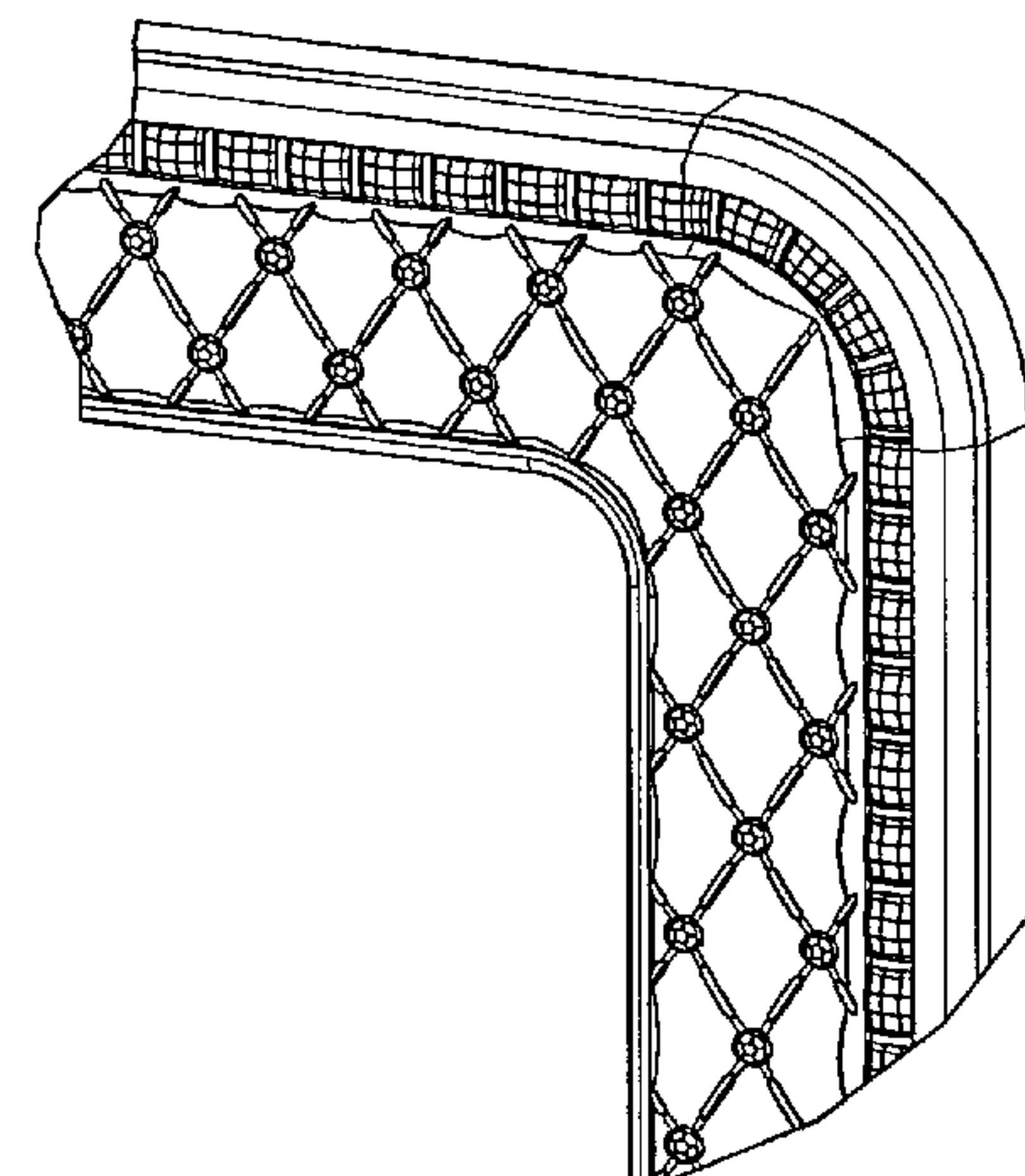
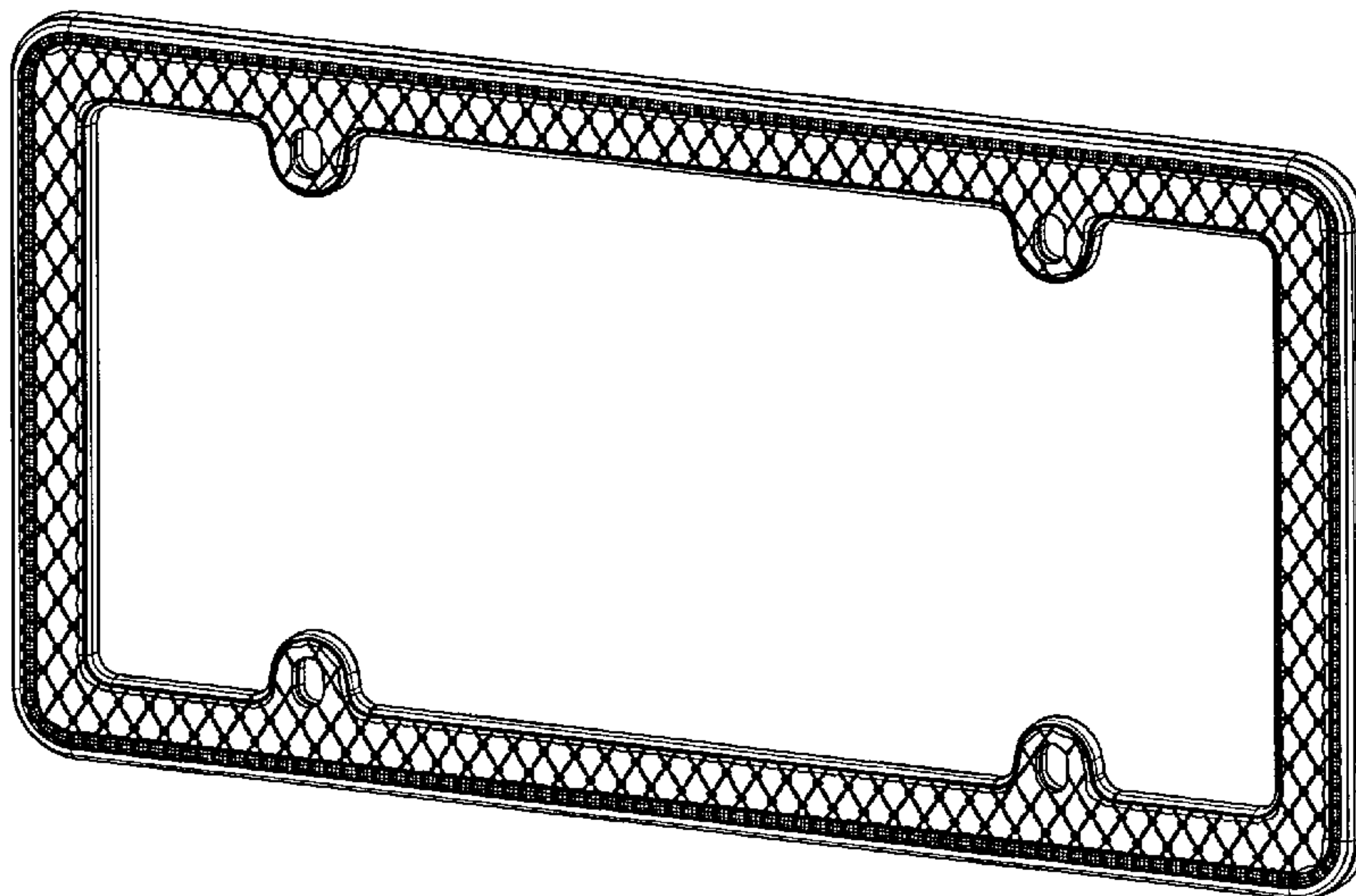
FIG. 3 is a front view of the license plate frame of the present invention.

FIG. 4 is a back view of the license plate frame of the present invention.

FIG. 5 is a right side view of the license plate frame of the present invention, the left side view being the mirror image thereof; and,

FIG. 6 is a top view of the license plate frame of the present invention, the bottom view being the mirror image thereof.

1 Claim, 3 Drawing Sheets



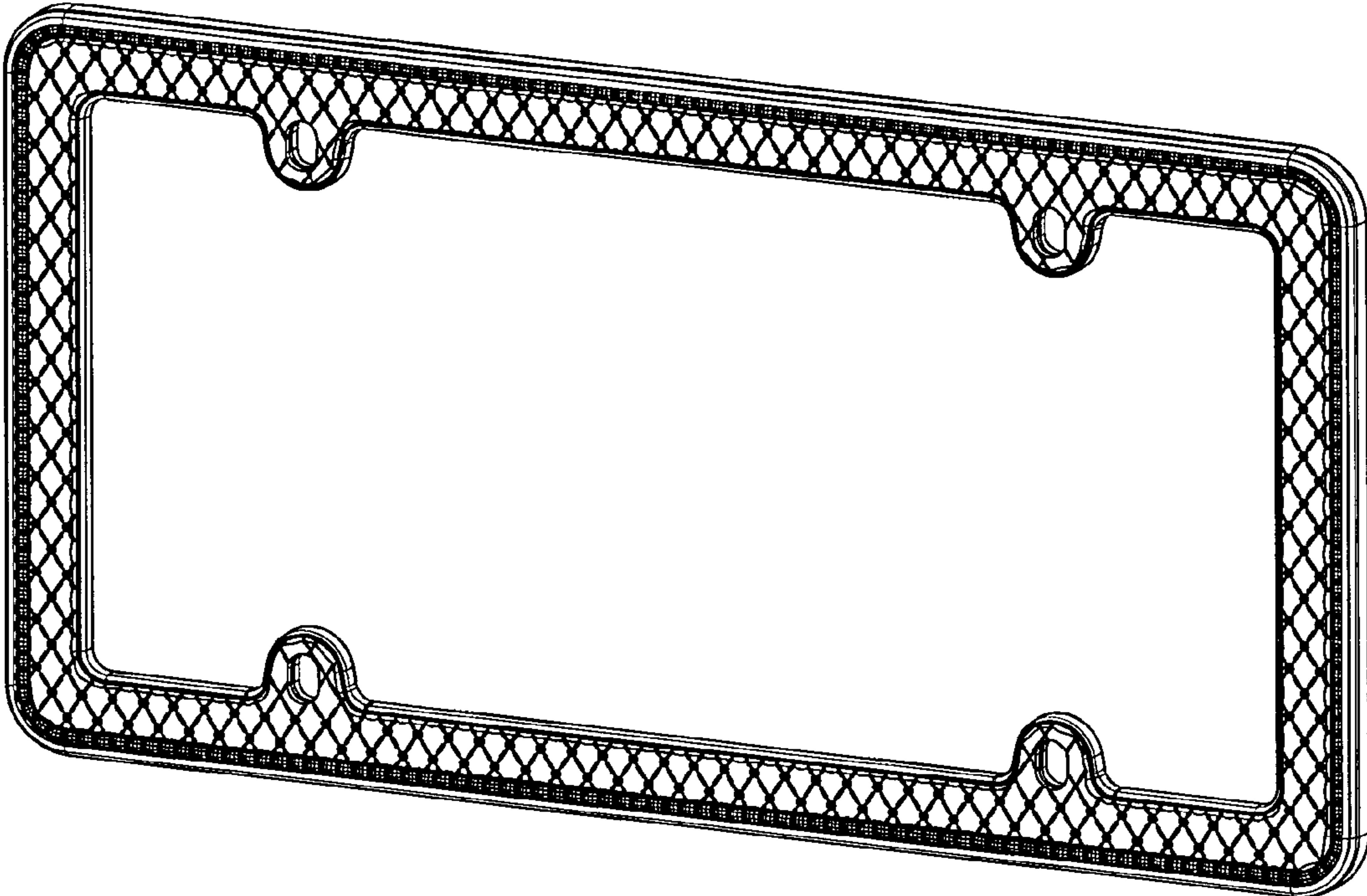


Figure 1

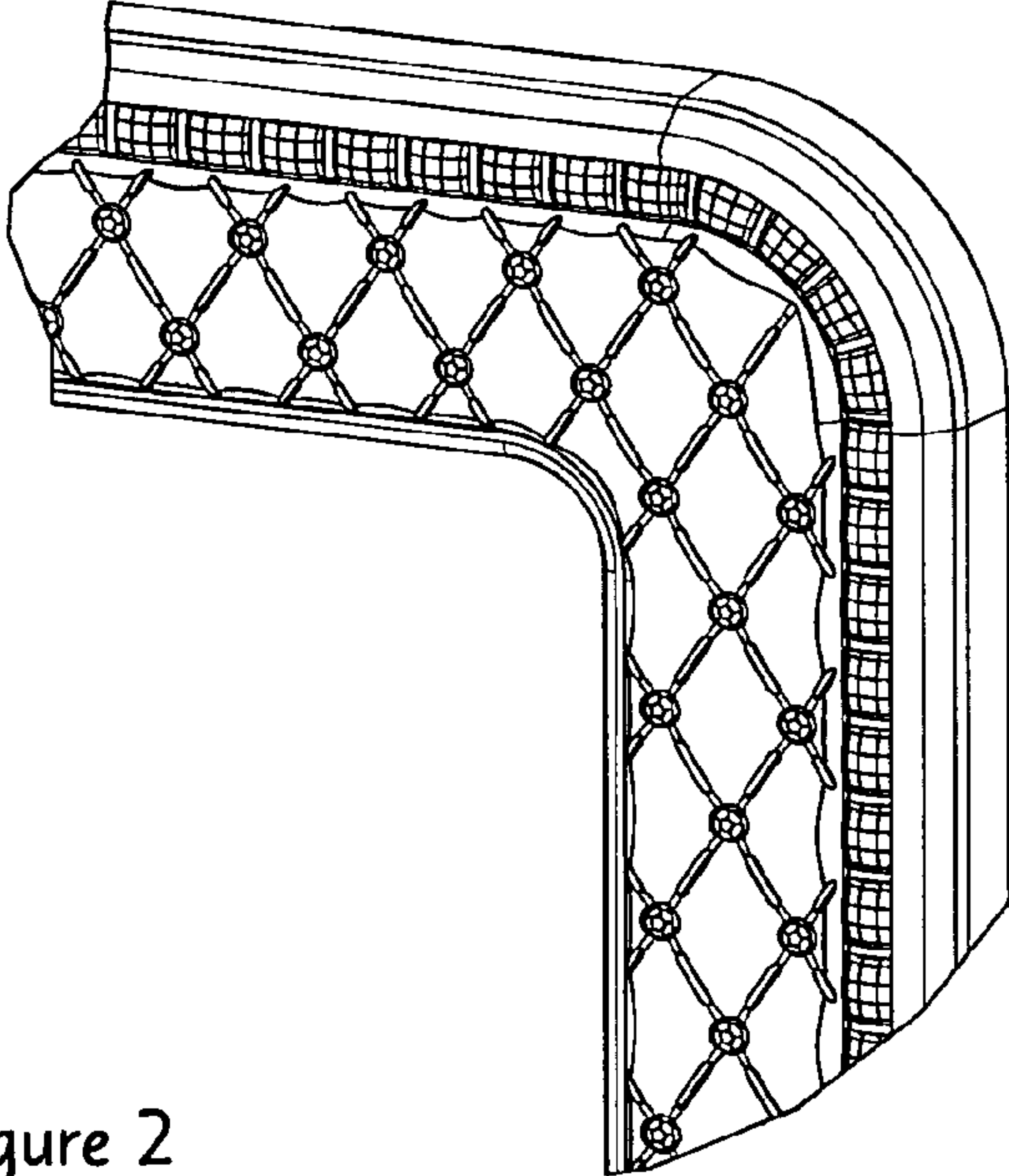


Figure 2

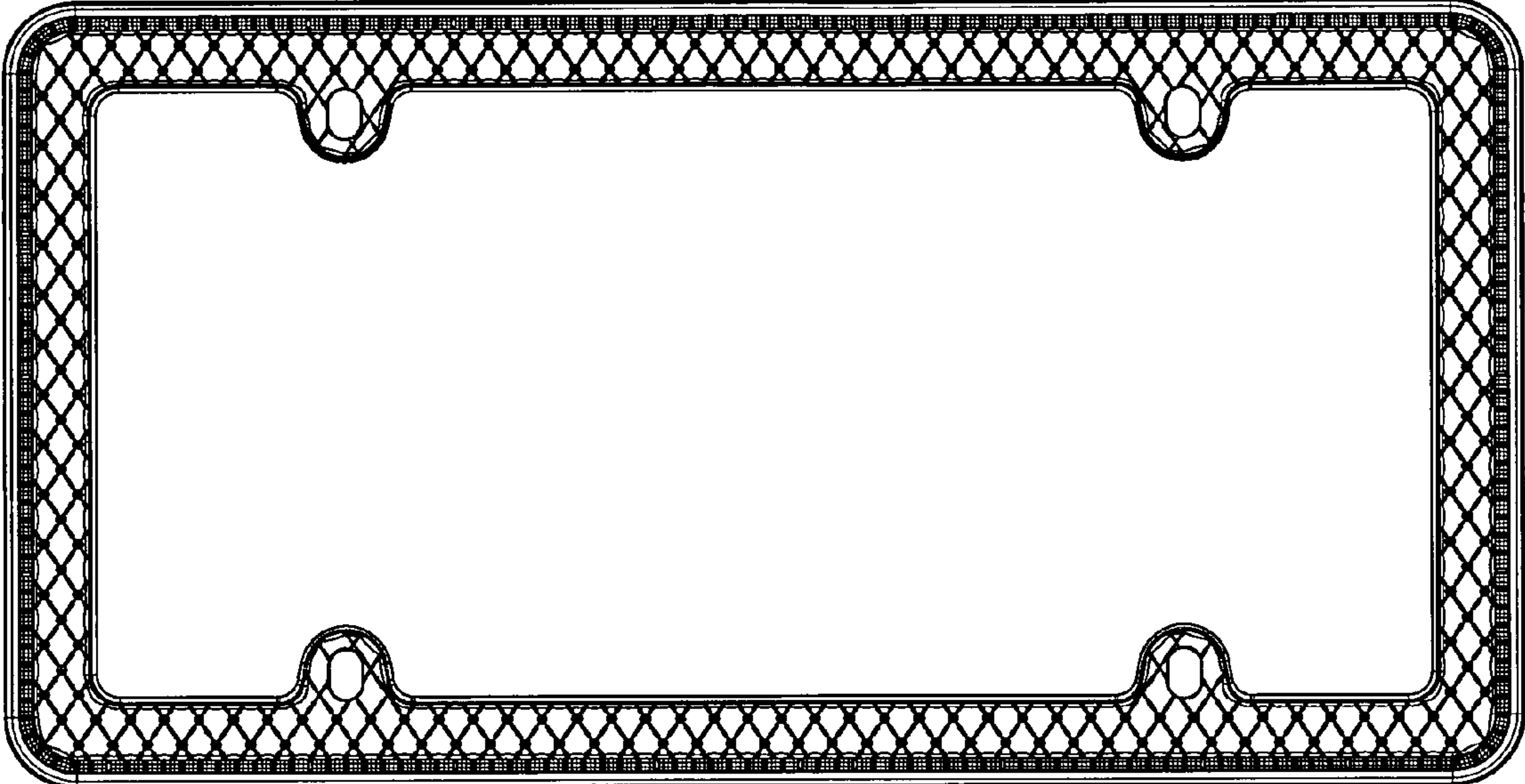


Figure 3

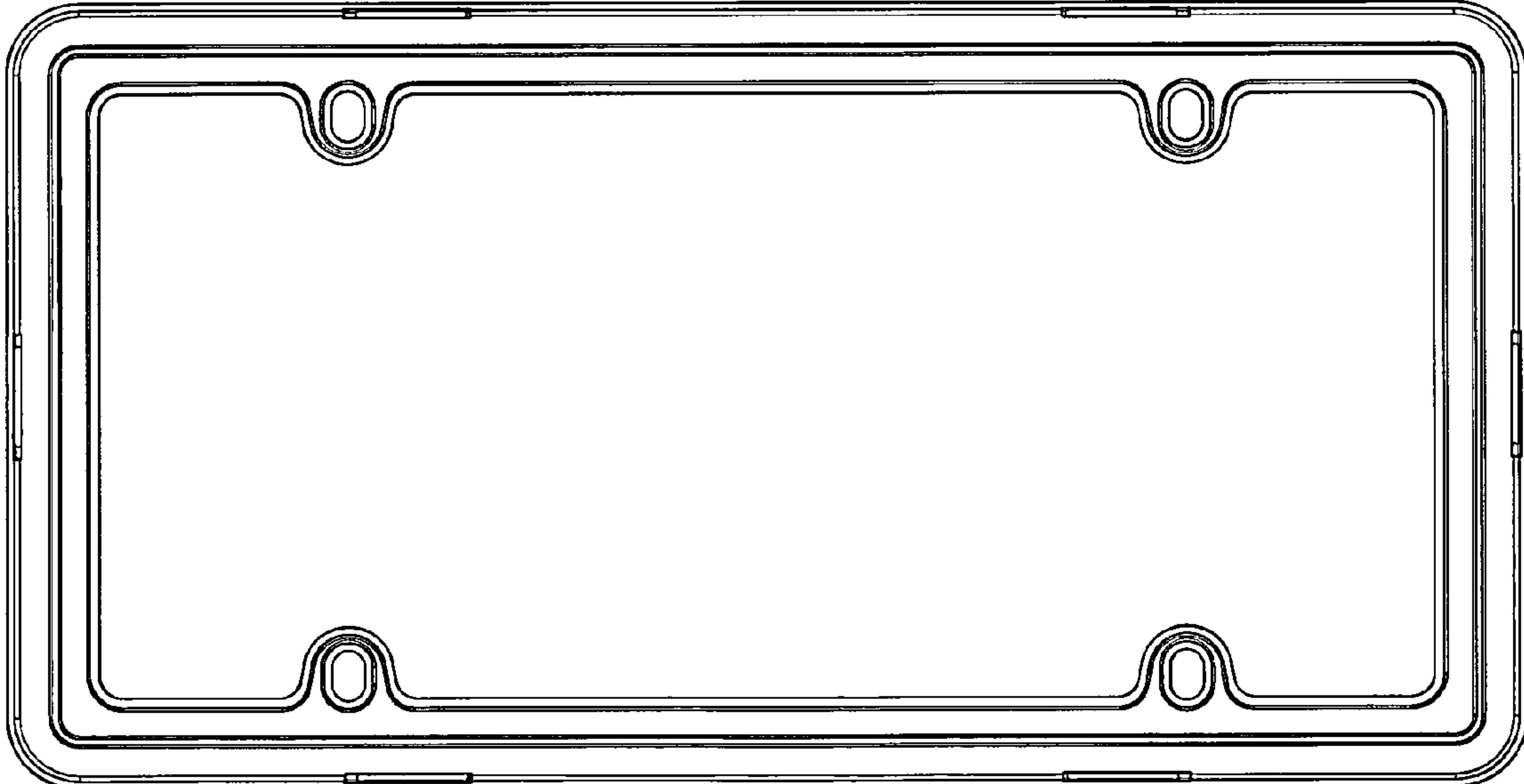


Figure 4

Figure 5

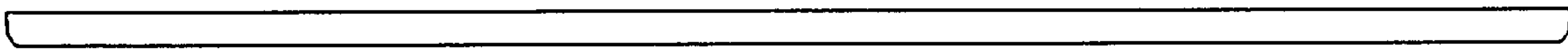
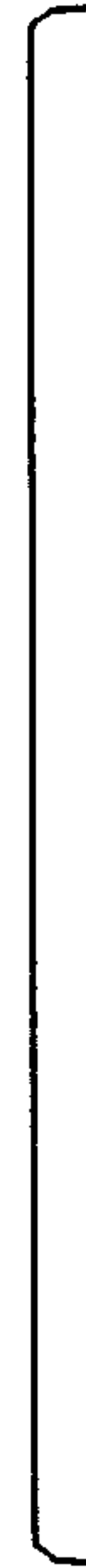


Figure 6