

US00D691522S

(12) **United States Design Patent**  
**Koepke**

(10) **Patent No.:** **US D691,522 S**  
(45) **Date of Patent:** **\*\* Oct. 15, 2013**

(54) **STORAGE LOCKER**

FOREIGN PATENT DOCUMENTS

(75) Inventor: **Timothy A. Koepke**, Winter Park, CO  
(US)  
(73) Assignee: **Advanced Locker Systems, LLC**,  
Greenwood Village, CO (US)

DE 4308760 A1 11/1993  
FR 2546123 A1 11/1984  
FR 2578803 A1 9/1986  
JP 249867 A 2/1990

(Continued)

(\*\*) Term: **14 Years**

OTHER PUBLICATIONS

(21) Appl. No.: **29/430,168**

U.S. Appl. No. 13/546,997, filed Jul. 11, 2012, 36 pages.

(22) Filed: **Aug. 22, 2012**

*Primary Examiner* — Susan M Lee

(51) **LOC (9) Cl.** ..... **12-11**

*Assistant Examiner* — Linda Brooks

(52) **U.S. Cl.**

(74) *Attorney, Agent, or Firm* — Steven M. Koehler;  
Westman, Champlin & Koehler, P.A.

USPC ..... **D12/115**

(58) **Field of Classification Search**

USPC ..... D12/115, 120; 211/5, 17-24, 85.7,  
211/181.1, 182; 248/153, 176.1, 175;  
52/282.1, 79.4, 648.1, 651.11, 652.1,  
52/653.1, DIG. 14; 312/215, 216, 204,  
312/100, 114, 117, 198-201, 135, 224

See application file for complete search history.

(57) **CLAIM**

The ornamental design for a storage locker, as shown and described.

(56) **References Cited**

**DESCRIPTION**

U.S. PATENT DOCUMENTS

1,232,501 A 7/1917 Colen  
3,682,523 A 8/1972 Esposito  
3,770,133 A 11/1973 Kolker  
D239,753 S 5/1976 Agundez, III  
3,967,425 A 7/1976 Wolverson et al.  
3,973,812 A 8/1976 Poltorak  
4,269,049 A 5/1981 Henderson  
4,316,544 A 2/1982 Goldstein  
D378,033 S 2/1997 Volk, Jr.  
5,690,234 A 11/1997 Rhead et al.  
5,802,889 A 9/1998 Arnold  
5,833,074 A \* 11/1998 Phillips ..... 211/21  
5,944,198 A 8/1999 Ihalainen  
6,164,459 A 12/2000 Liem  
6,779,310 B2 8/2004 Grover  
7,021,474 B2 4/2006 Simon et al.  
7,481,027 B2 1/2009 Blume

(Continued)

FIG. 1 is a perspective view of an embodiment of a storage locker;

FIG. 2 is a right side view of the storage locker illustrated in FIG. 1;

FIG. 3 is a left side view of the storage locker illustrated in FIG. 1 with some of the unclaimed subject matter removed;

FIG. 4 is a front view of the storage locker illustrated in FIG. 1;

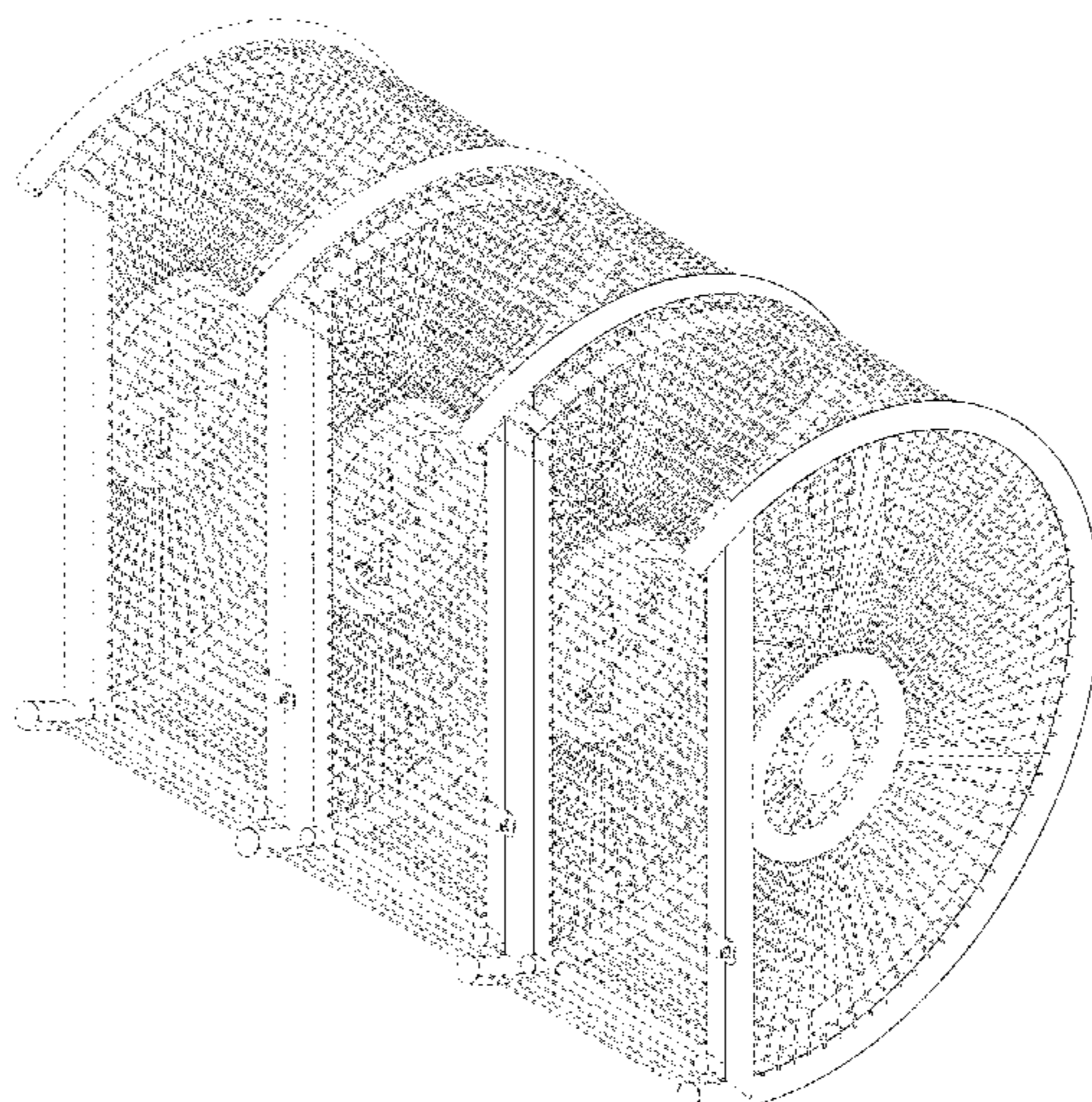
FIG. 5 is a rear view of the storage locker illustrated in FIG. 1;

FIG. 6 is a top view of the storage locker illustrated in FIG. 1; and,

FIG. 7 is a bottom view of the storage locker illustrated in FIG. 1.

The broken lines are included for purposes of illustration and form no part of the claimed design.

**1 Claim, 7 Drawing Sheets**



(56)

**References Cited**

FOREIGN PATENT DOCUMENTS

U.S. PATENT DOCUMENTS

7,694,830 B1 4/2010 Larson  
7,784,622 B2\* 8/2010 Bernard ..... 211/20  
2006/0108297 A1\* 5/2006 Gay ..... 211/20

JP 3128781 A 5/1991  
JP 3273981 A 12/1991  
WO 9714861 4/1997

\* cited by examiner

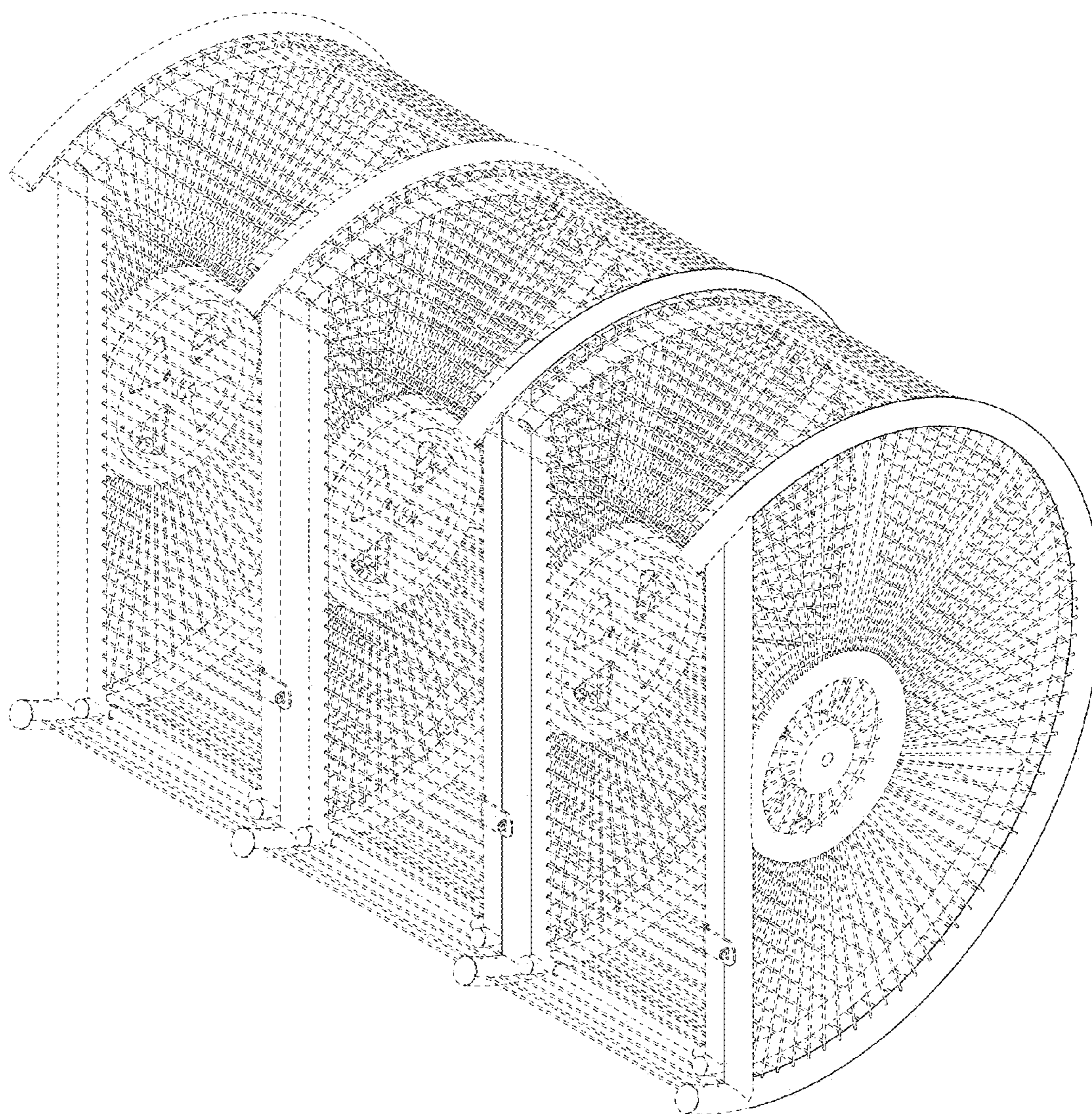


FIG. 1

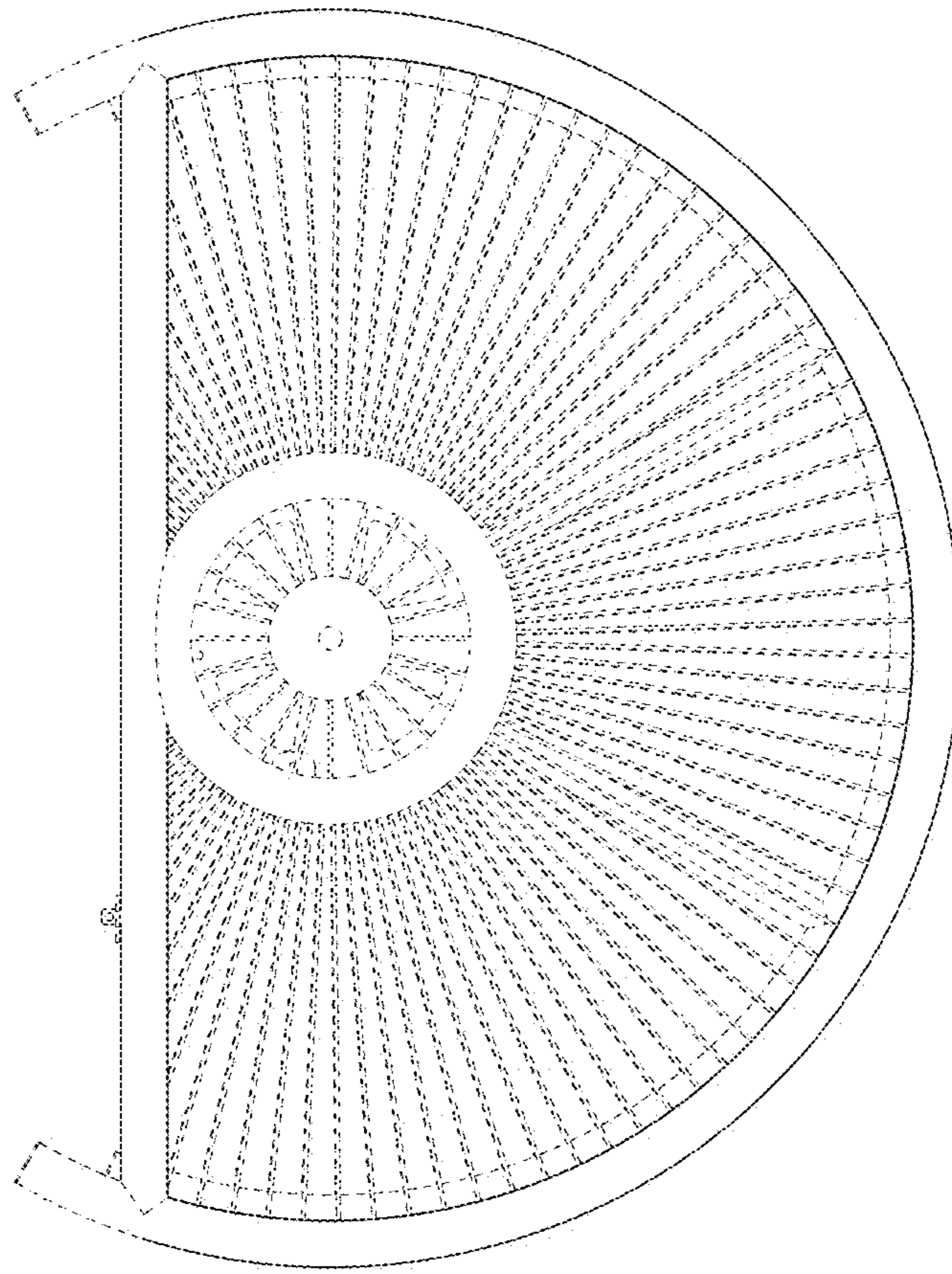


FIG. 2

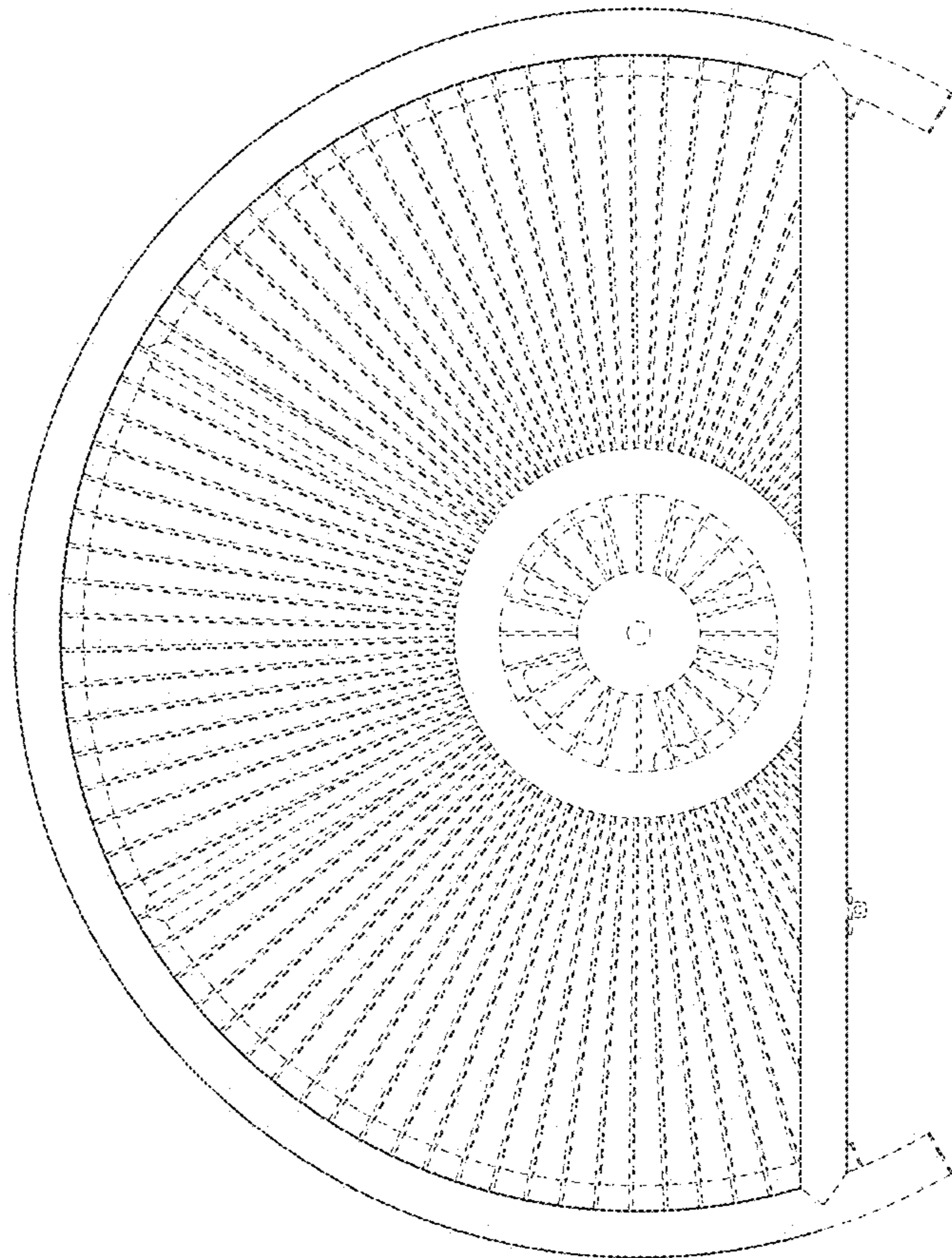


FIG. 3

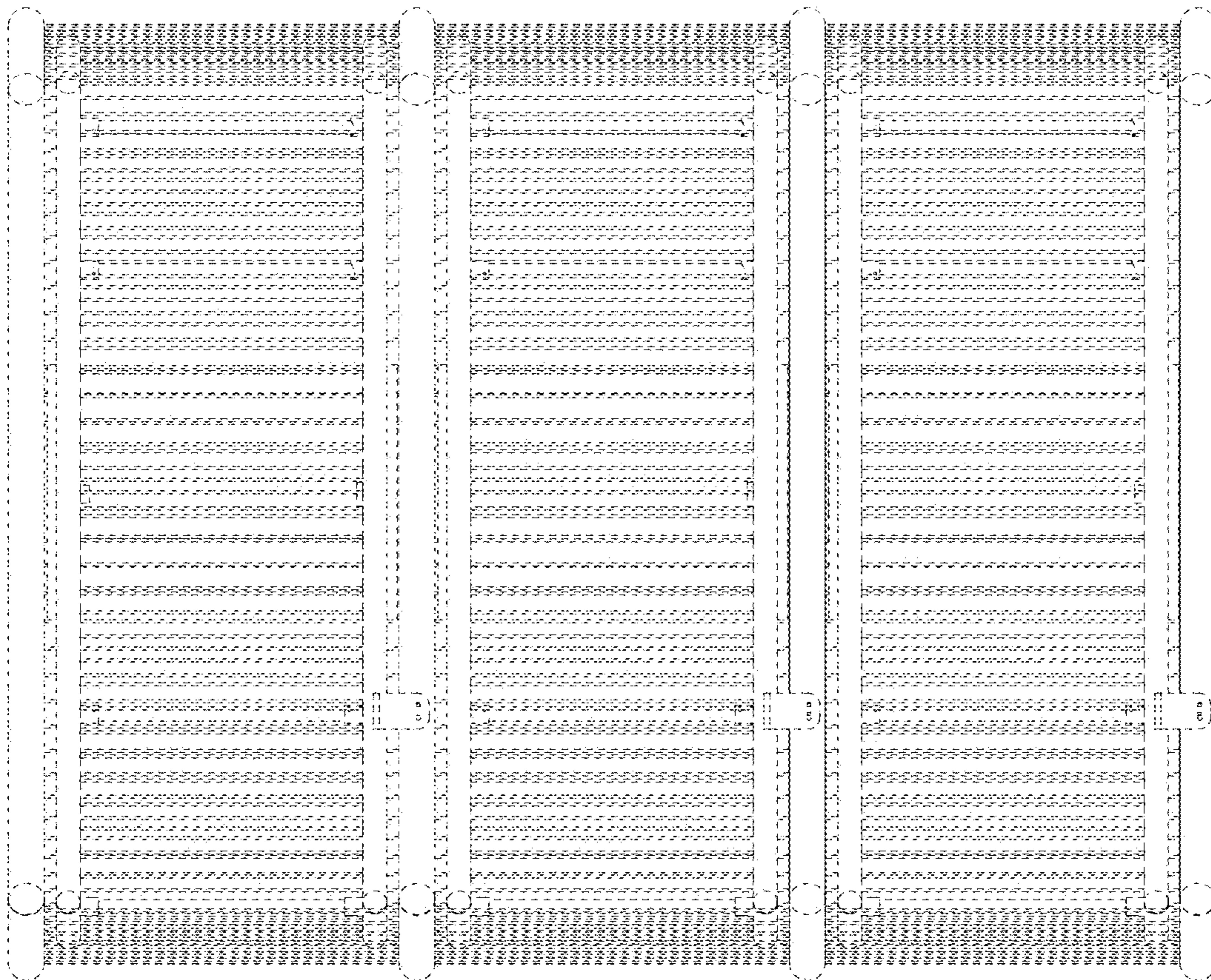


FIG. 4

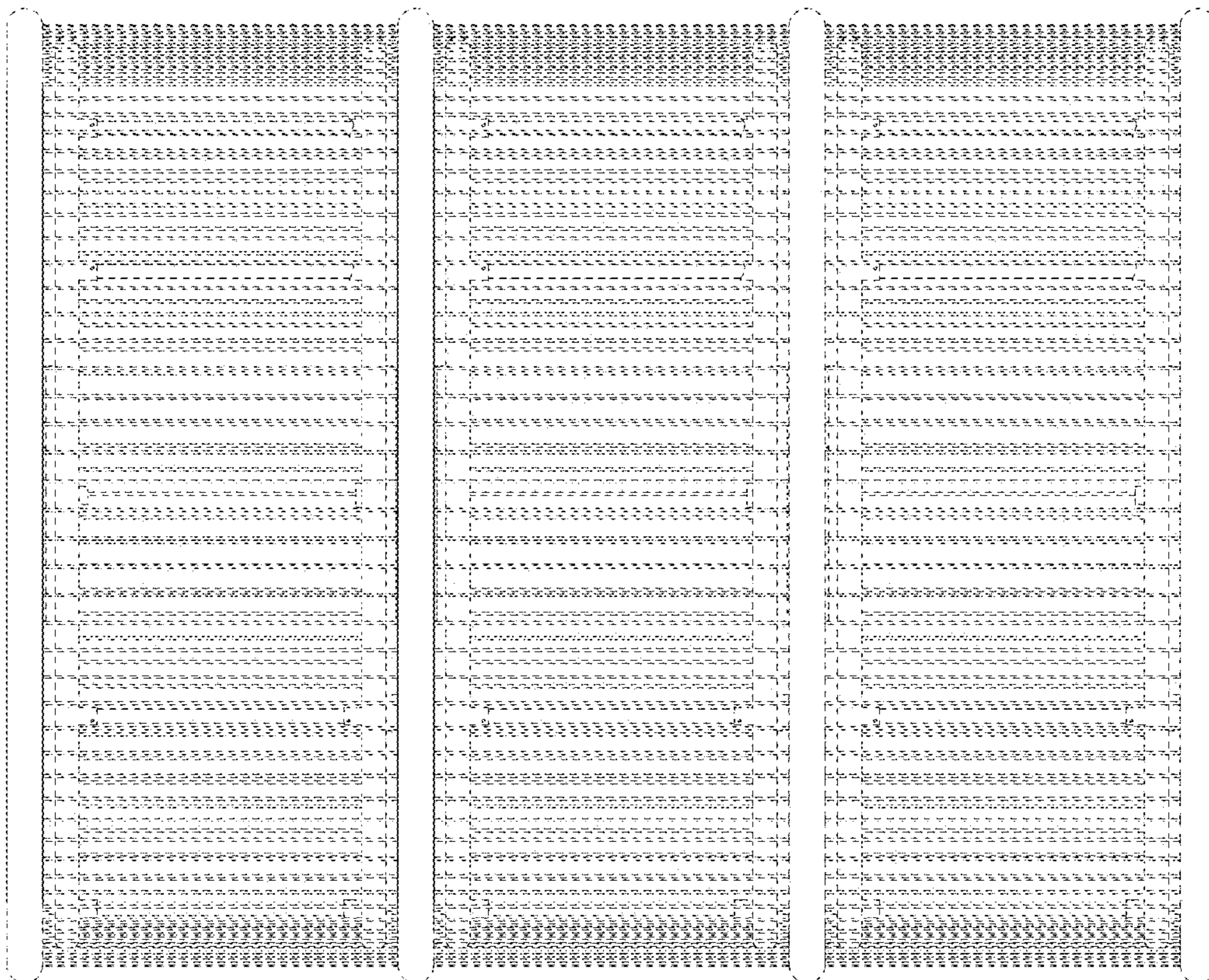


FIG. 5

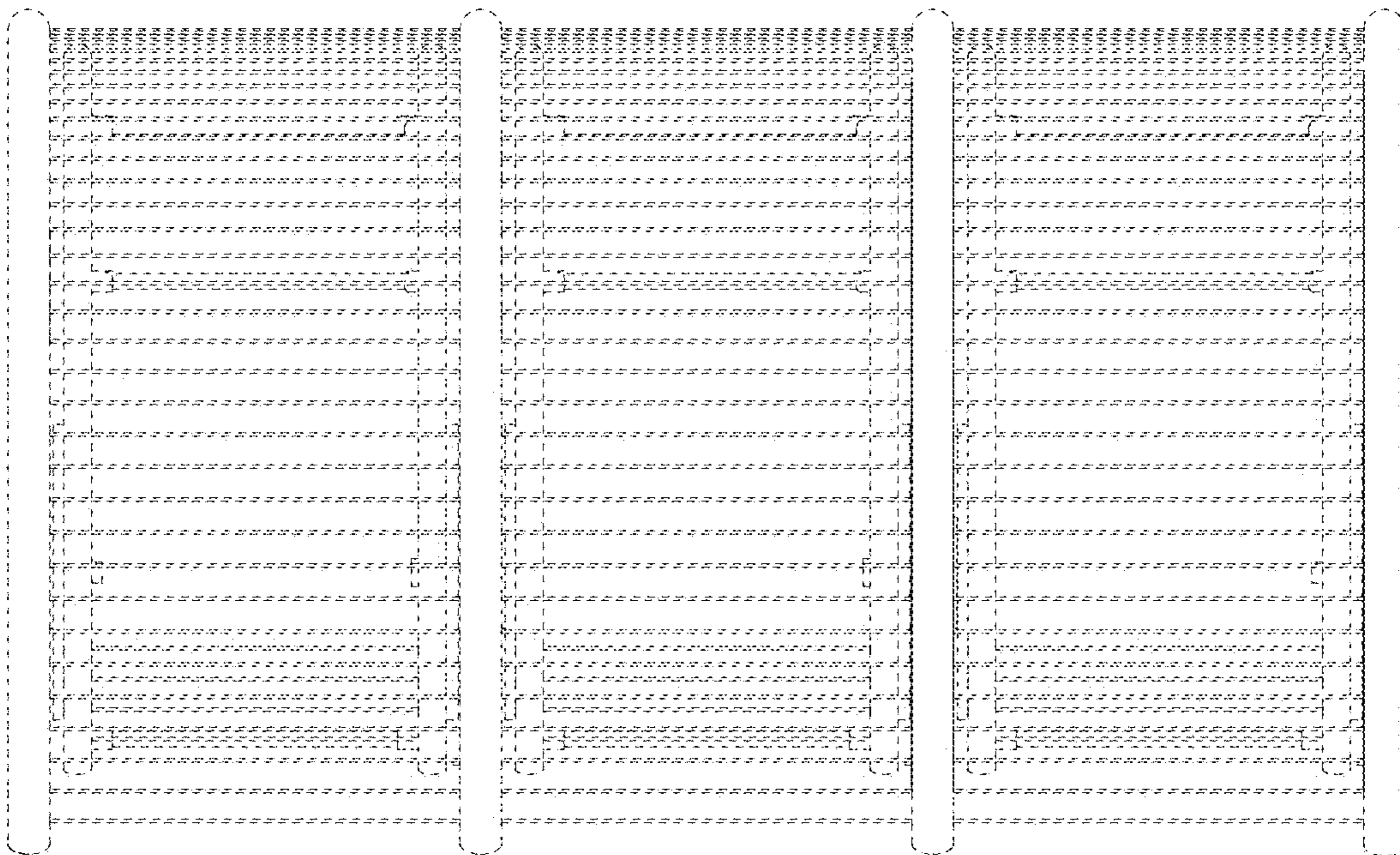


FIG. 6



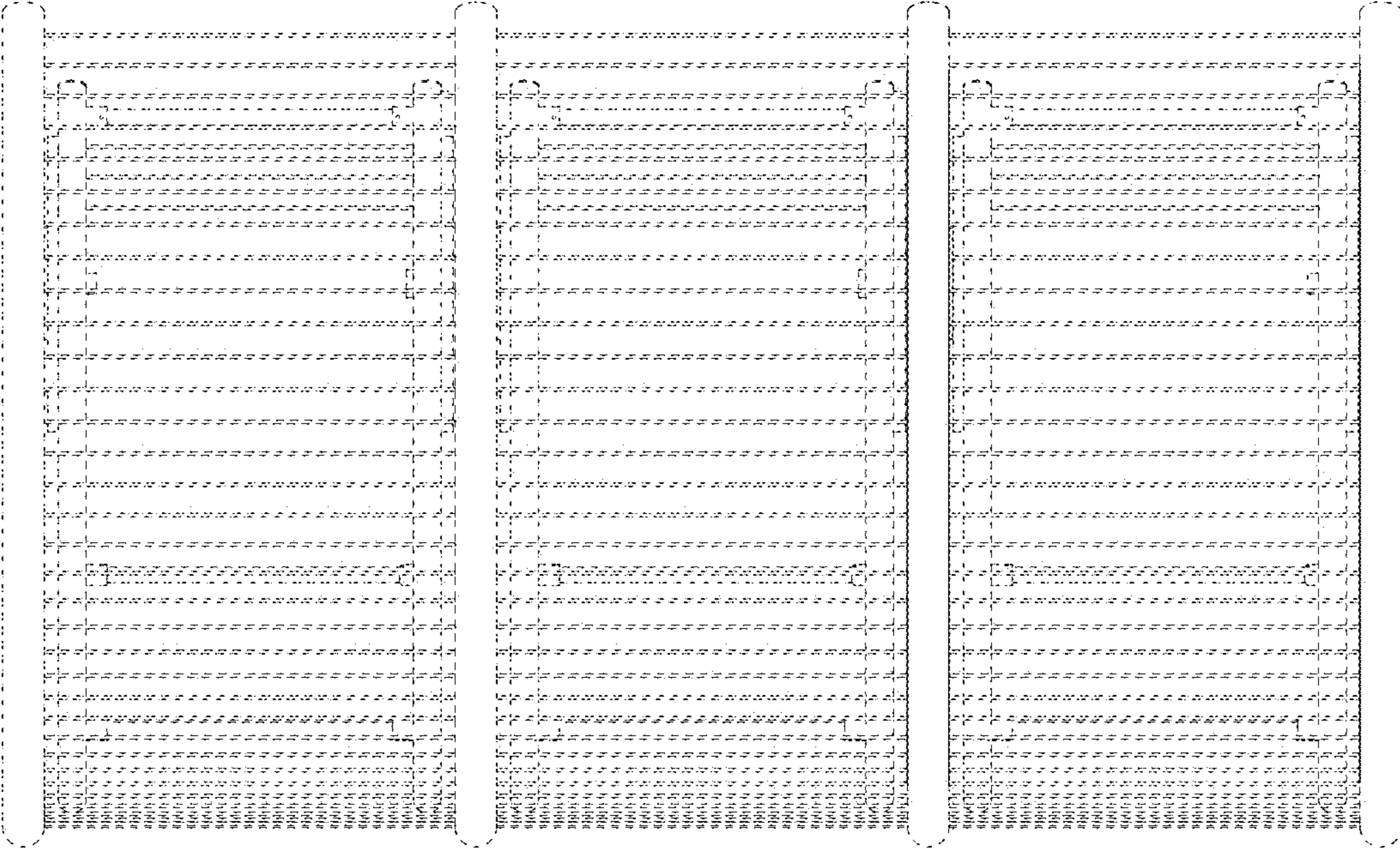


FIG. 7