



US00D691519S

(12) **United States Design Patent**  
**Fisher**

(10) **Patent No.:** **US D691,519 S**

(45) **Date of Patent:** **\*\* Oct. 15, 2013**

(54) **ALL TERRAIN VEHICLE**

\* cited by examiner

(75) Inventor: **Cameron D. Fisher**, Plymouth, MN  
(US)

*Primary Examiner* — Susan M Lee

*Assistant Examiner* — Linda Brooks

(73) Assignee: **Polaris Industries Inc.**, Medina, MN  
(US)

(74) *Attorney, Agent, or Firm* — Faegre Baker Daniels LLP

(\*\*) Term: **14 Years**

(57) **CLAIM**

I claim the ornamental design for the all terrain vehicle, as shown and described.

(21) Appl. No.: **29/419,484**

(22) Filed: **Apr. 27, 2012**

**DESCRIPTION**

(51) **LOC (9) Cl.** ..... **12-11**

(52) **U.S. Cl.**  
USPC ..... **D12/107**

(58) **Field of Classification Search**  
USPC ..... D12/107, 3, 86, 87, 110; 180/223, 225,  
180/229, 233, 311, 312, 315  
See application file for complete search history.

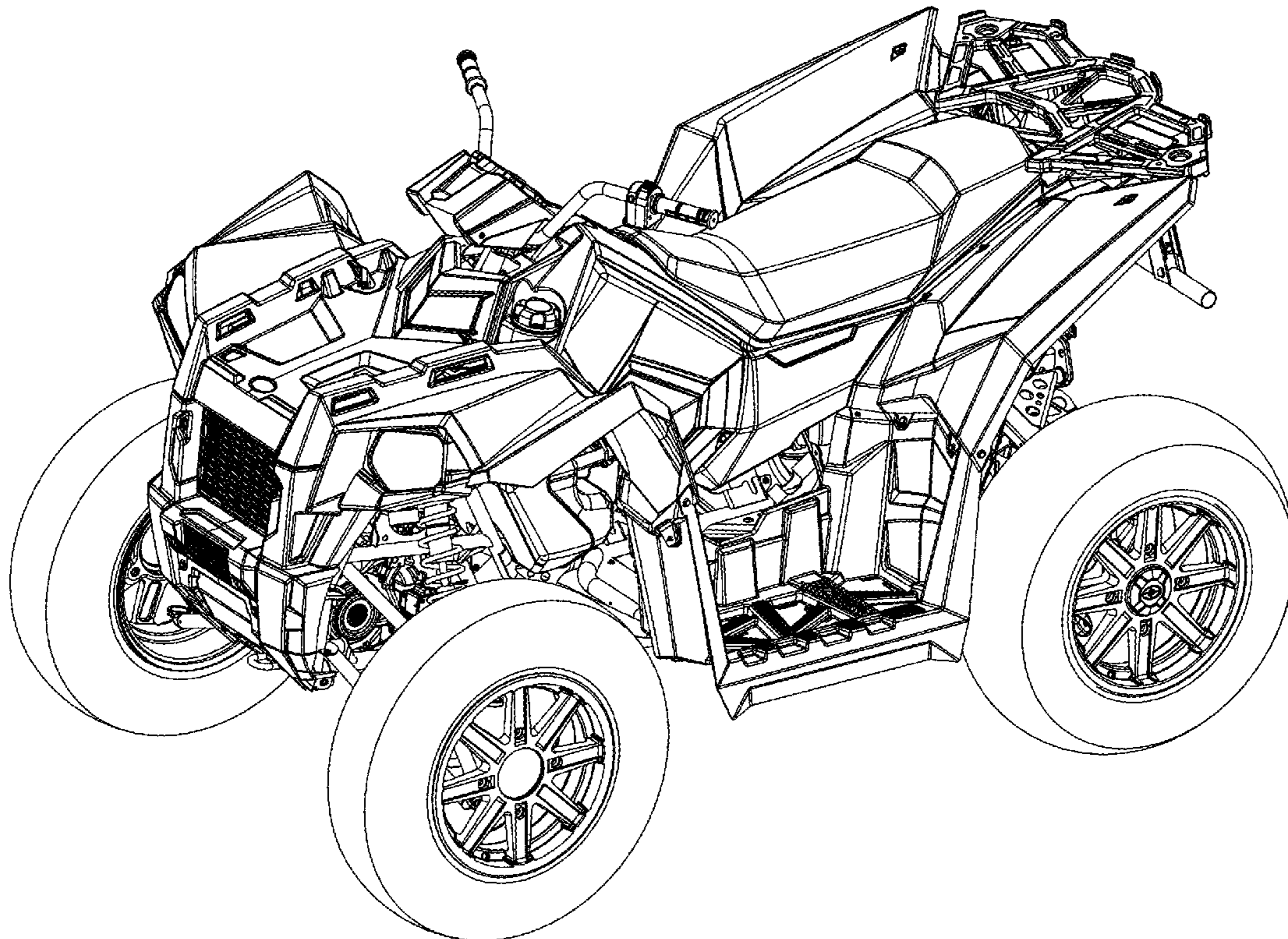
FIG. 1 shows a left front perspective view of the all terrain vehicle of the present design application;  
FIG. 2 shows a right rear perspective view of the all terrain vehicle of the present design application;  
FIG. 3 shows a left side view of the all terrain vehicle shown in FIG. 1;  
FIG. 4 shows a right side view of the all terrain vehicle shown in FIG. 1;  
FIG. 5 shows a top view of the all terrain vehicle shown in FIG. 1;  
FIG. 6 shows a front view of the all terrain vehicle shown in FIG. 1; and,  
FIG. 7 shows a rear view of the all terrain vehicle shown in FIG. 1.

(56) **References Cited**

**U.S. PATENT DOCUMENTS**

D496,308 S	*	9/2004	Wu	.....	D12/107
D516,467 S	*	3/2006	Wu	.....	D12/107
D529,414 S	*	10/2006	Wu et al.	.....	D12/107
D585,792 S	*	2/2009	Chao et al.	.....	D12/107
D620,399 S	*	7/2010	Wu et al.	.....	D12/107
D671,037 S	*	11/2012	Wu et al.	.....	D12/107

**1 Claim, 6 Drawing Sheets**





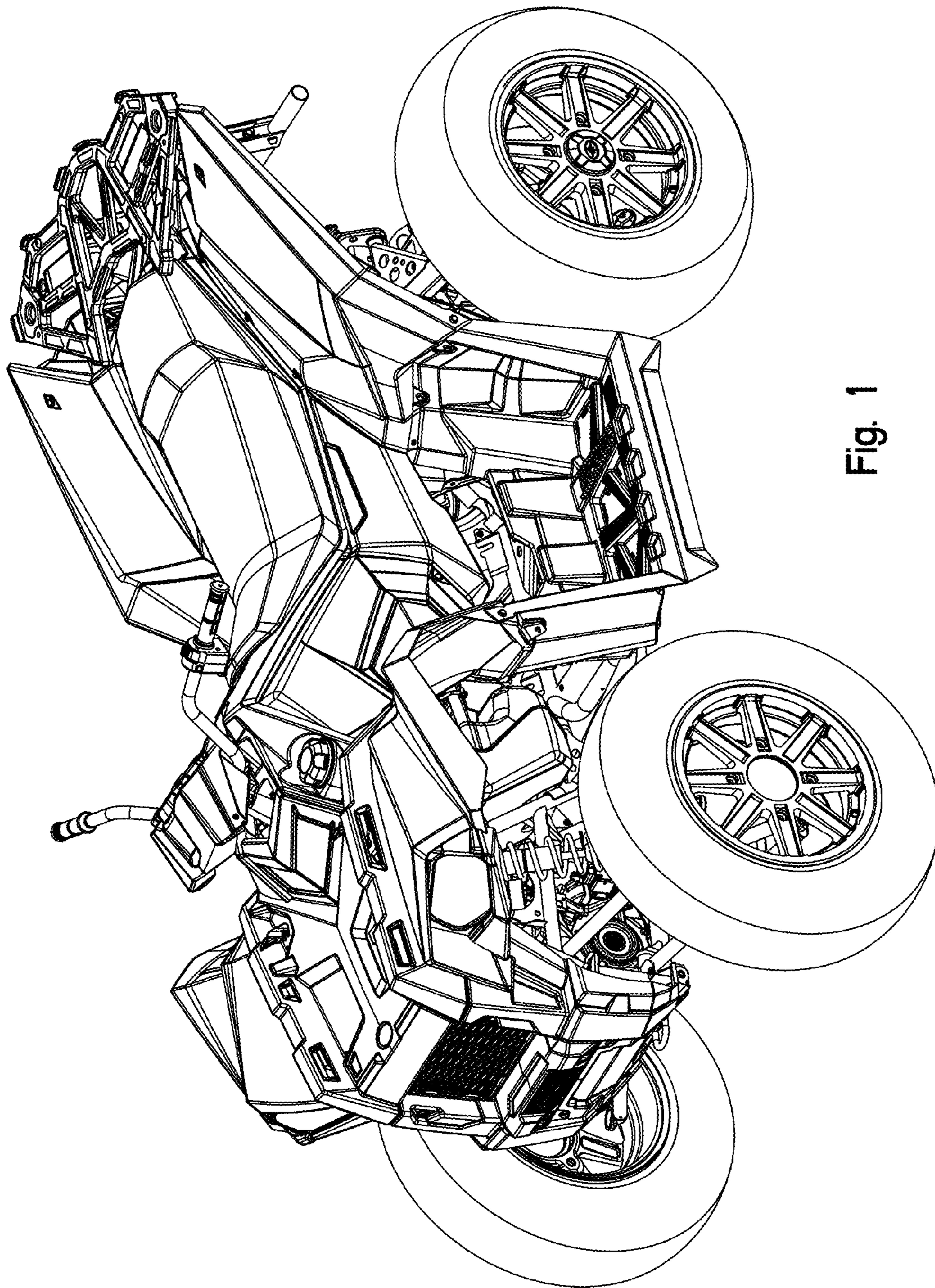


Fig. 1



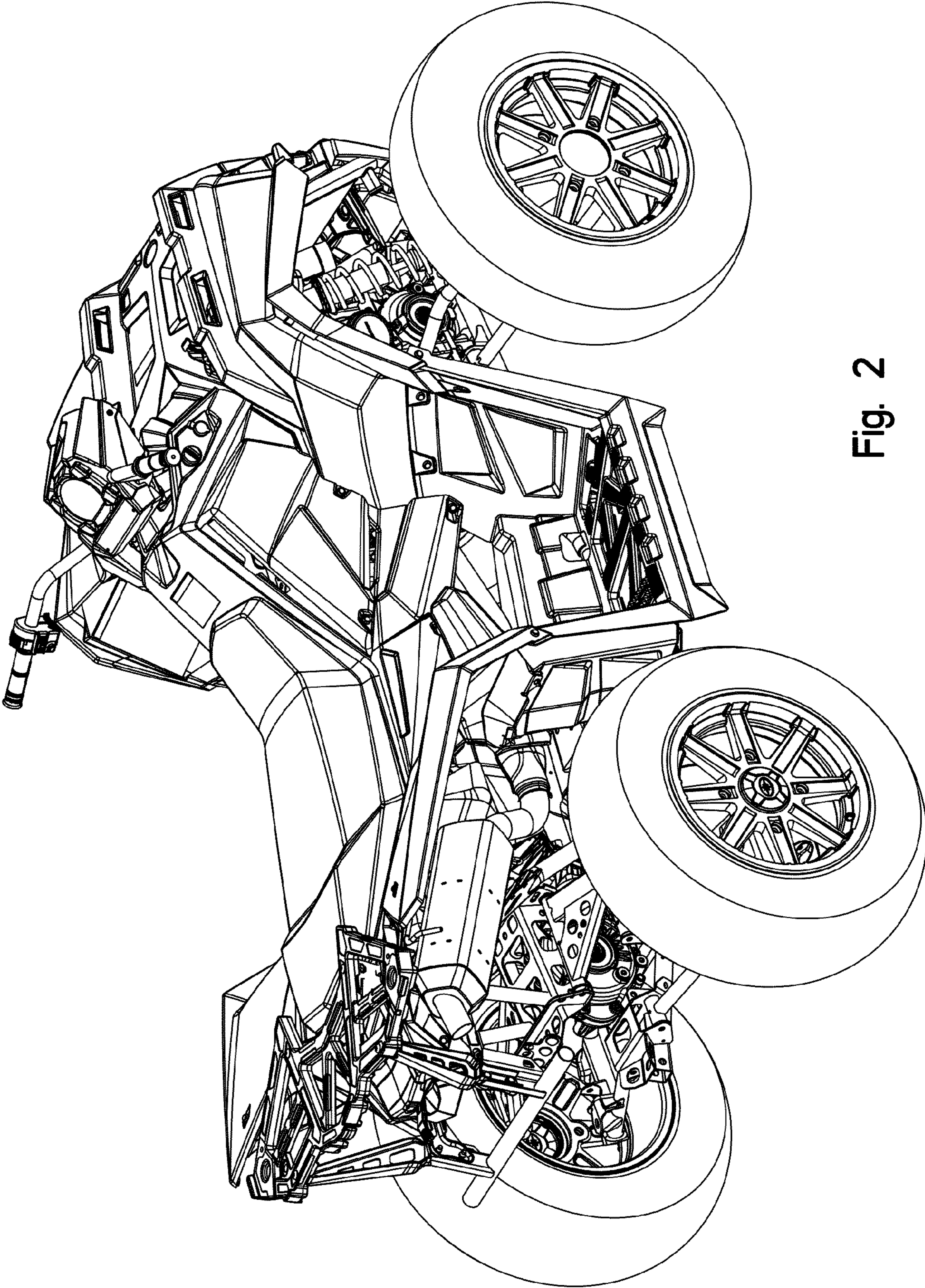


Fig. 2



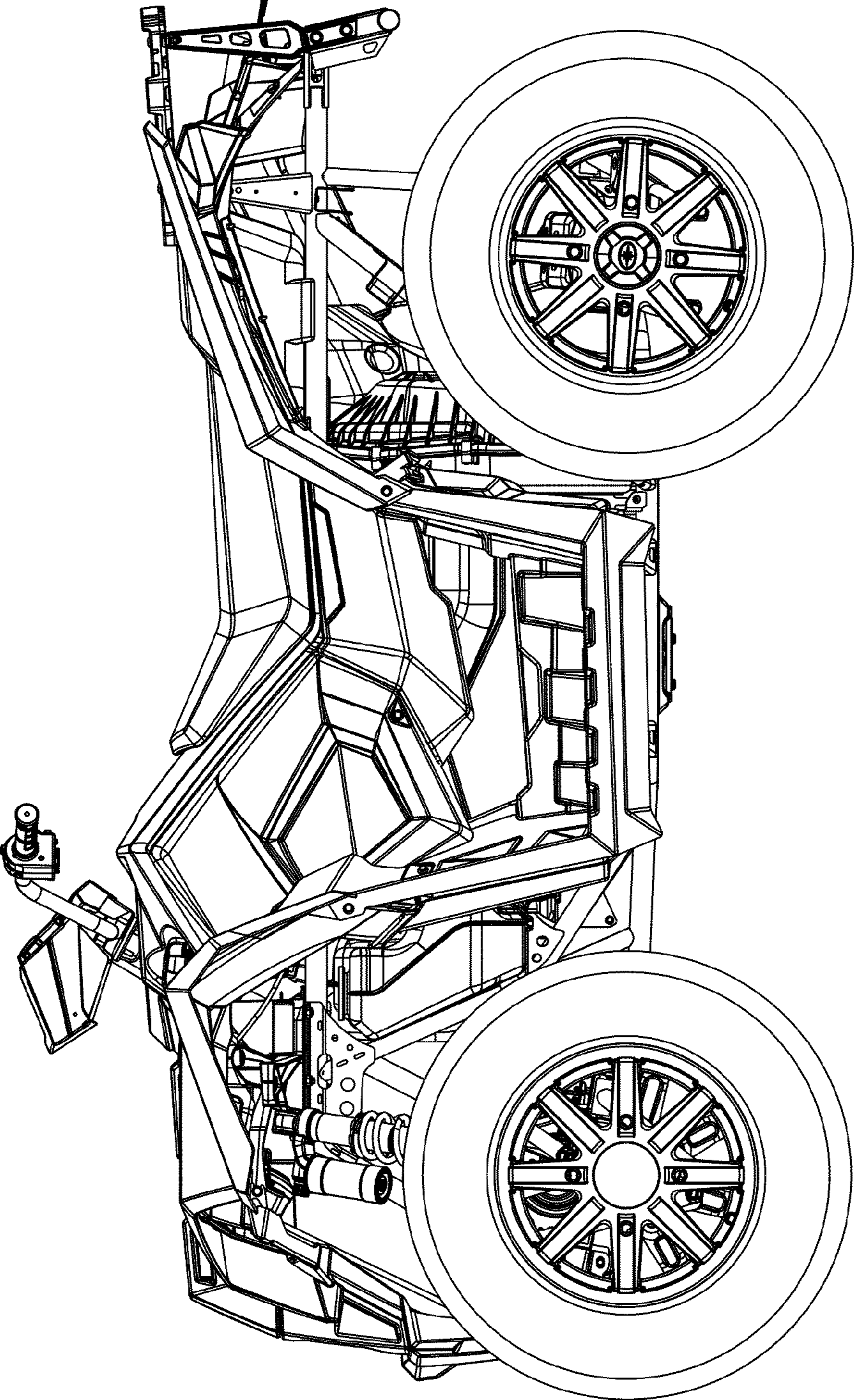


Fig. 3



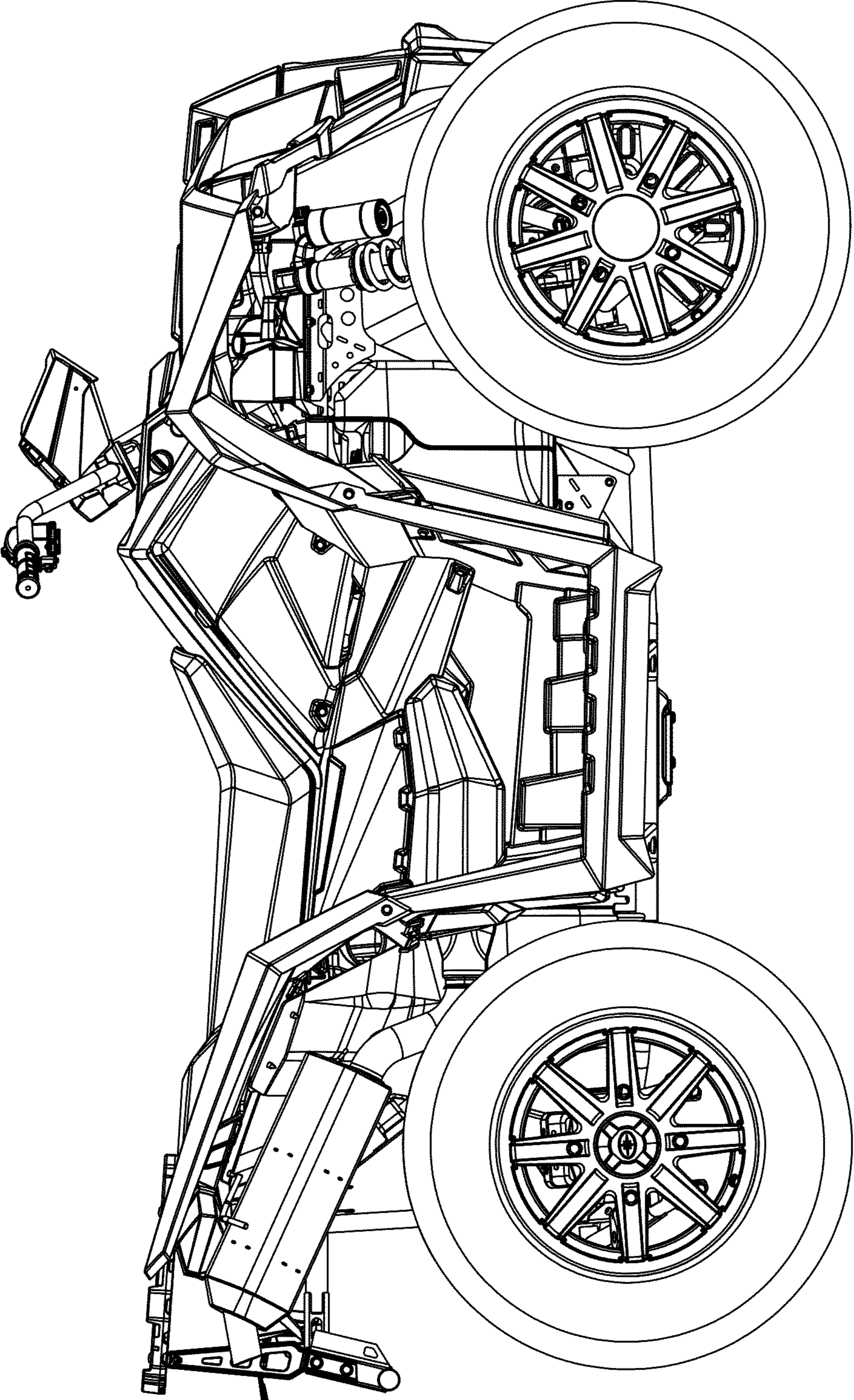


Fig. 4



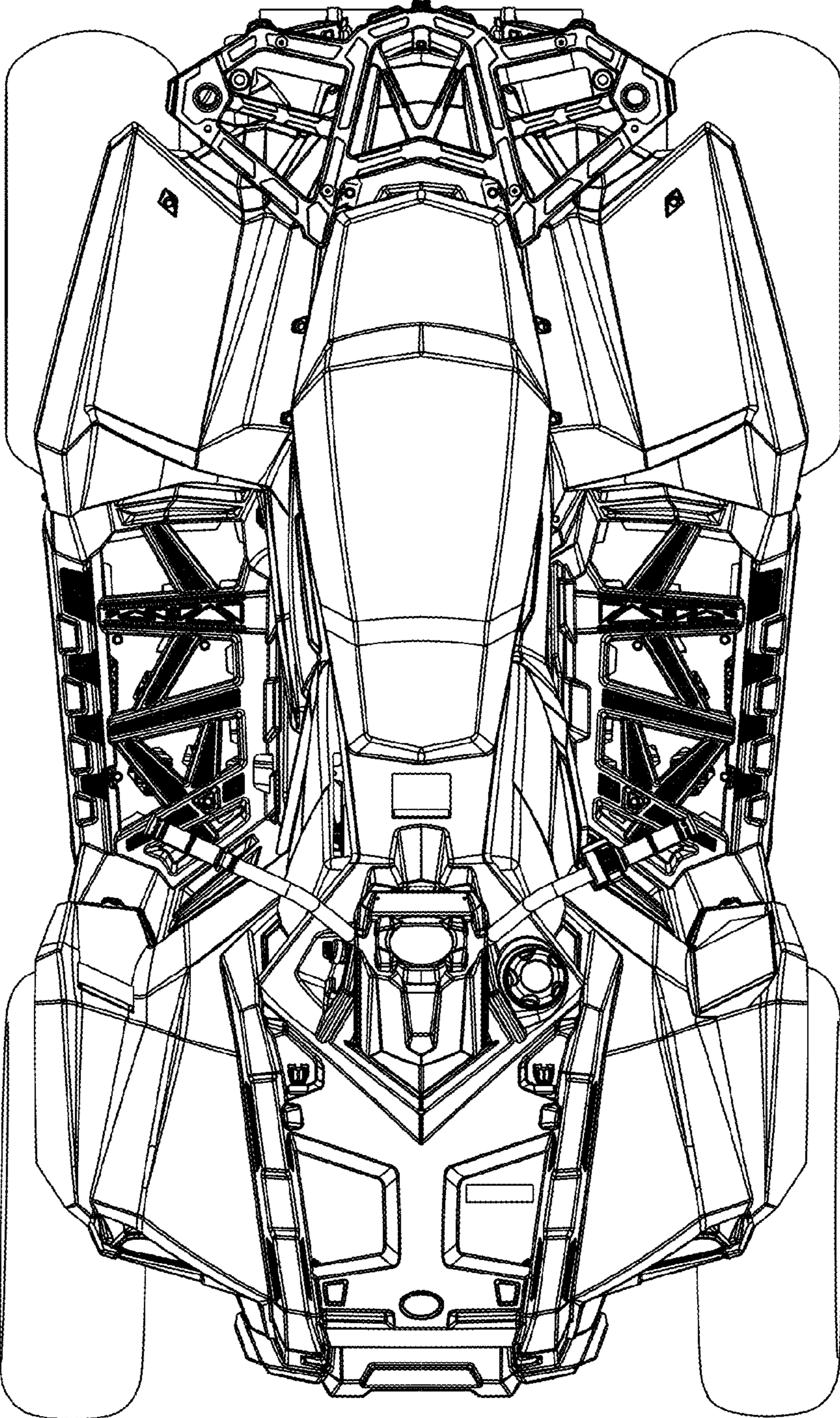


Fig. 5



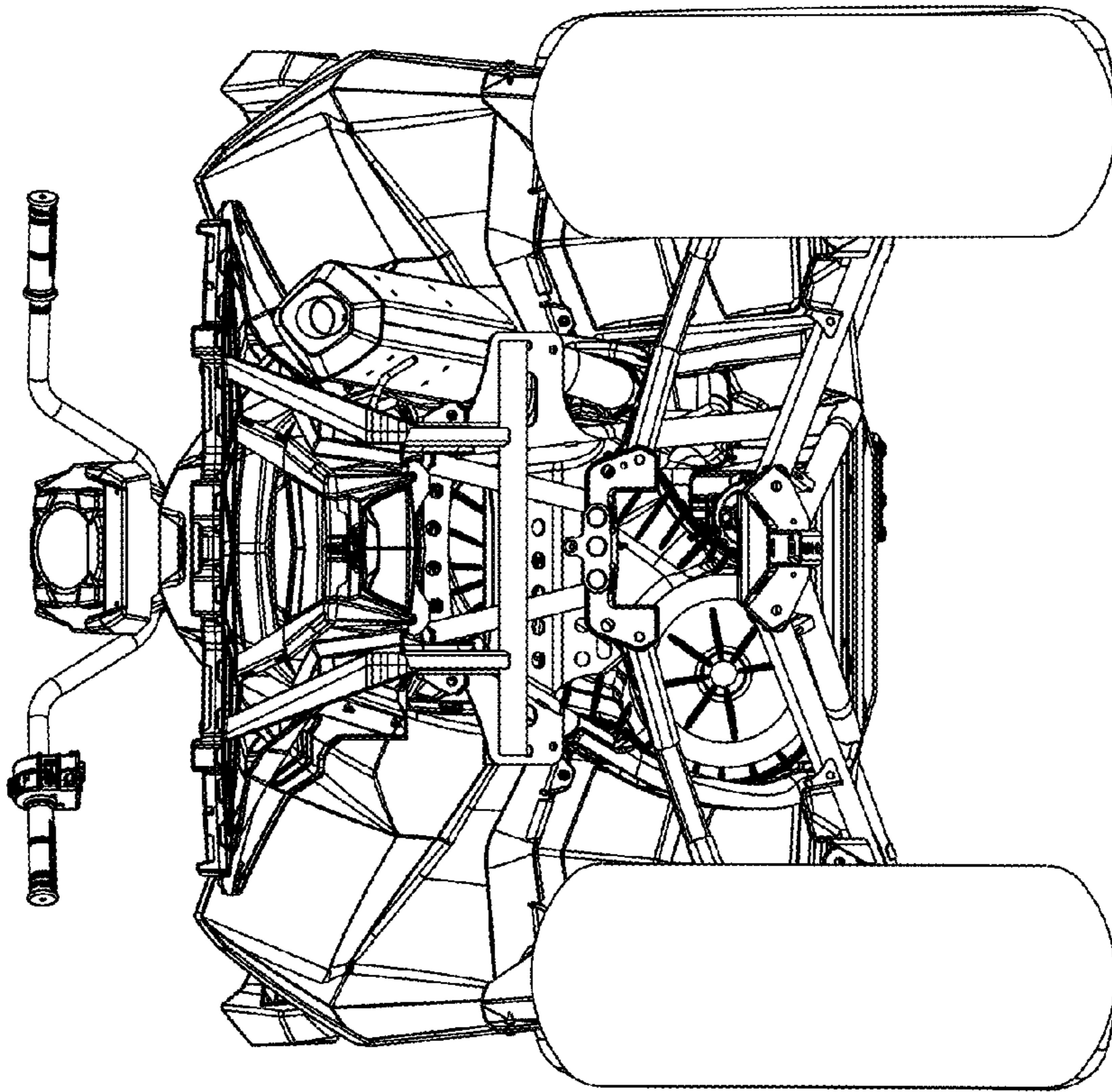


Fig. 6

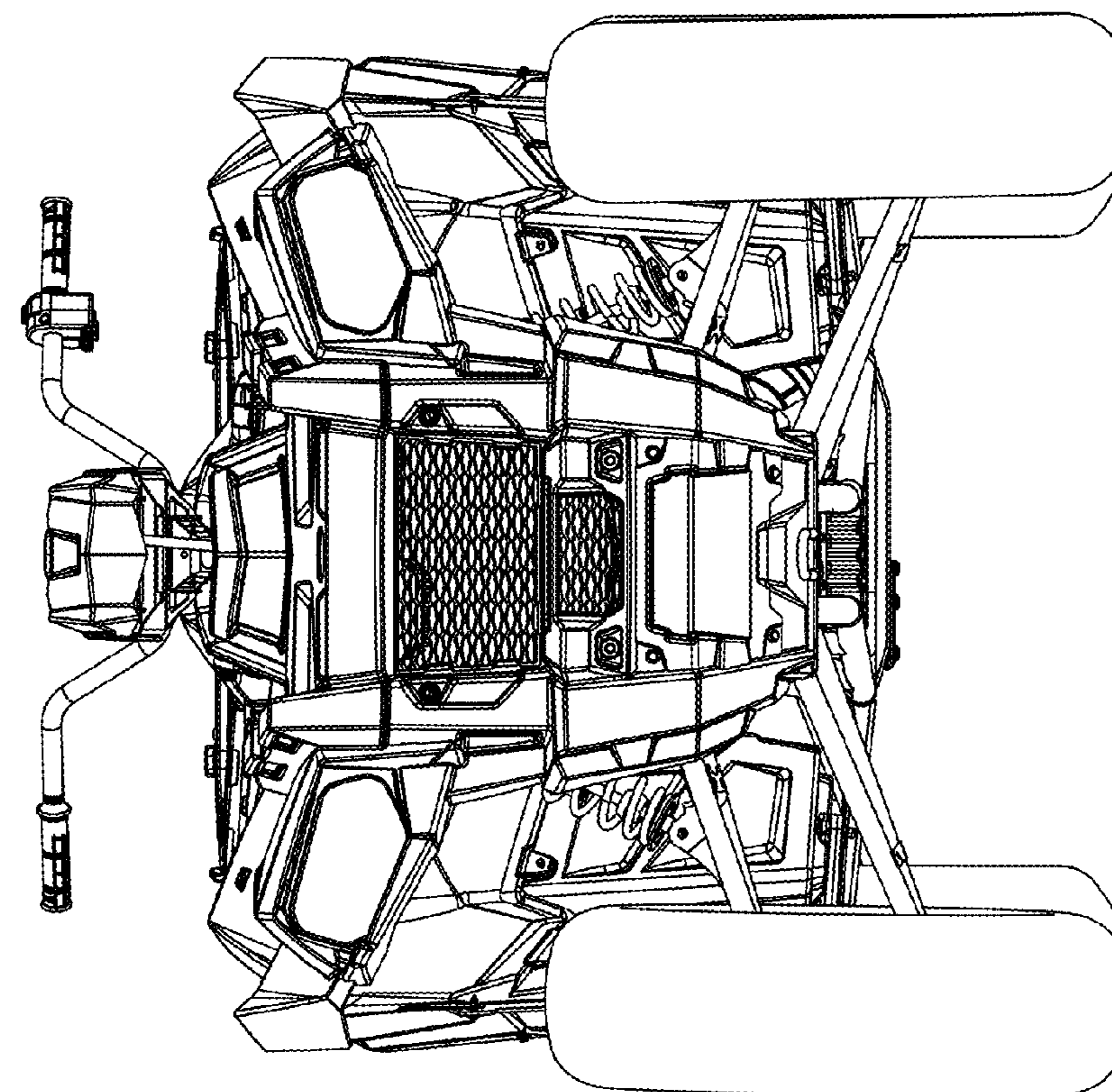


Fig. 7