



US00D691518S

(12) **United States Design Patent**
Monia et al.

(10) **Patent No.:** **US D691,518 S**

(45) **Date of Patent:** **** Oct. 15, 2013**

(54) **FOLDUP TRAILER**

(76) Inventors: **Mark Monia**, St. Louis, MO (US);
Ronald Walton, House Springs, MO
(US)

(**) Term: **14 Years**

(21) Appl. No.: **29/427,617**

(22) Filed: **Jul. 20, 2012**

(51) **LOC (9) Cl.** **12-10**

(52) **U.S. Cl.**
USPC **D12/101**

(58) **Field of Classification Search**
USPC D12/101-106, 19, 129, 111, 112;
D21/425, 435; D34/21-26, 12, 16-19;
280/204, 205, 63, 475, 482, 647;
296/168, 180, 180.2, 61, 10,
296/100.01-100.08

See application file for complete search history.

(56) **References Cited**

U.S. PATENT DOCUMENTS

D418,451 S *	1/2000	Konecheck	D12/101
D459,287 S *	6/2002	Beard et al.	D12/406
D513,717 S *	1/2006	Wittkowski	D12/101
D522,409 S *	6/2006	Wittkowski	D12/101
D574,755 S *	8/2008	Thurm	D12/101
7,452,000 B2 *	11/2008	Winter et al.	280/656

7,475,901 B2 *	1/2009	Winter et al.	280/656
D593,927 S	6/2009	Walton	
7,651,117 B1 *	1/2010	McGee	280/656
D660,748 S *	5/2012	Cooley	D12/101
2003/0062707 A1 *	4/2003	Koch	280/401
2005/0093273 A1 *	5/2005	McDonell	280/656

* cited by examiner

Primary Examiner — Katrina A Beton

(74) *Attorney, Agent, or Firm* — Charles McCloskey

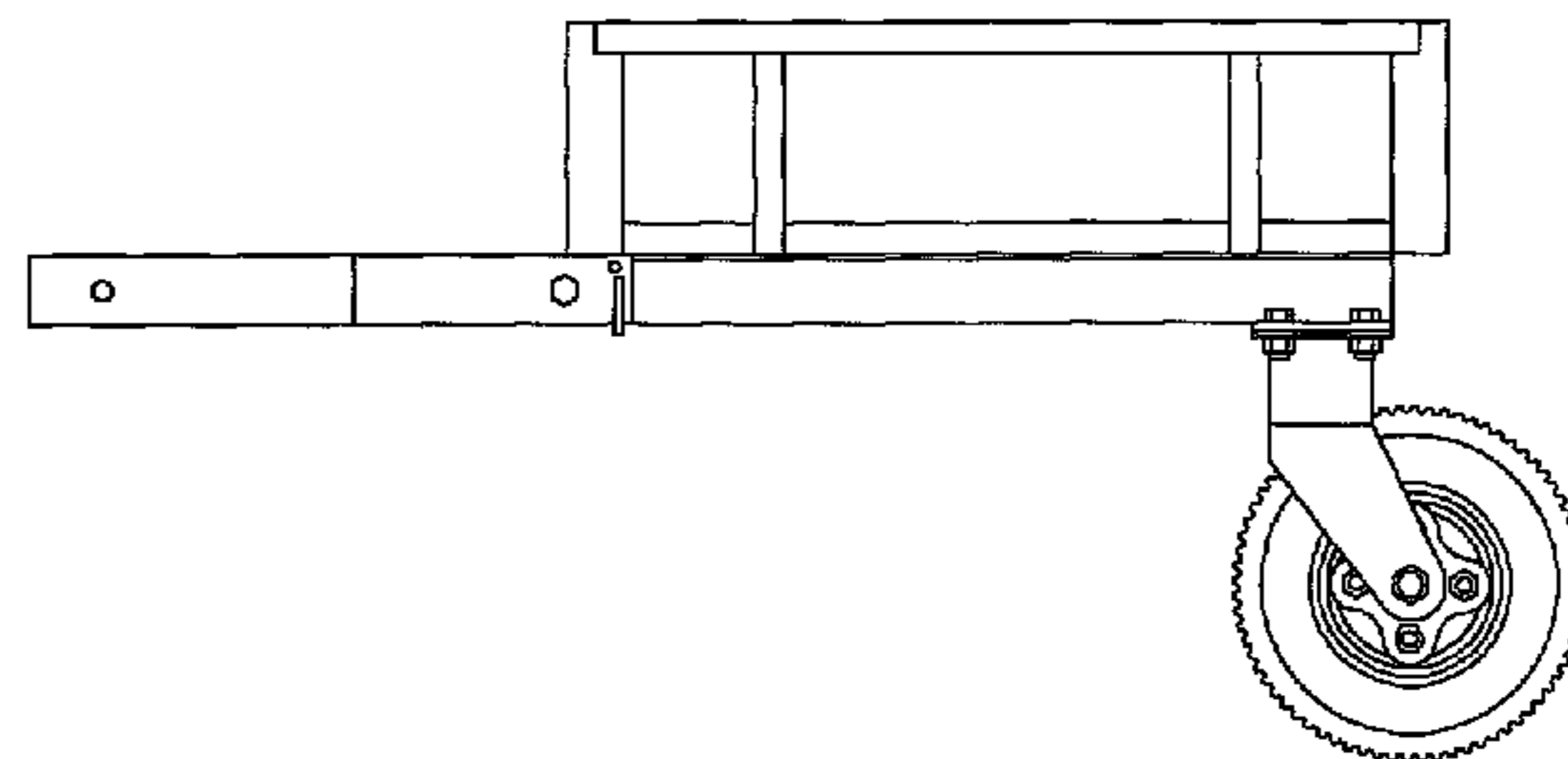
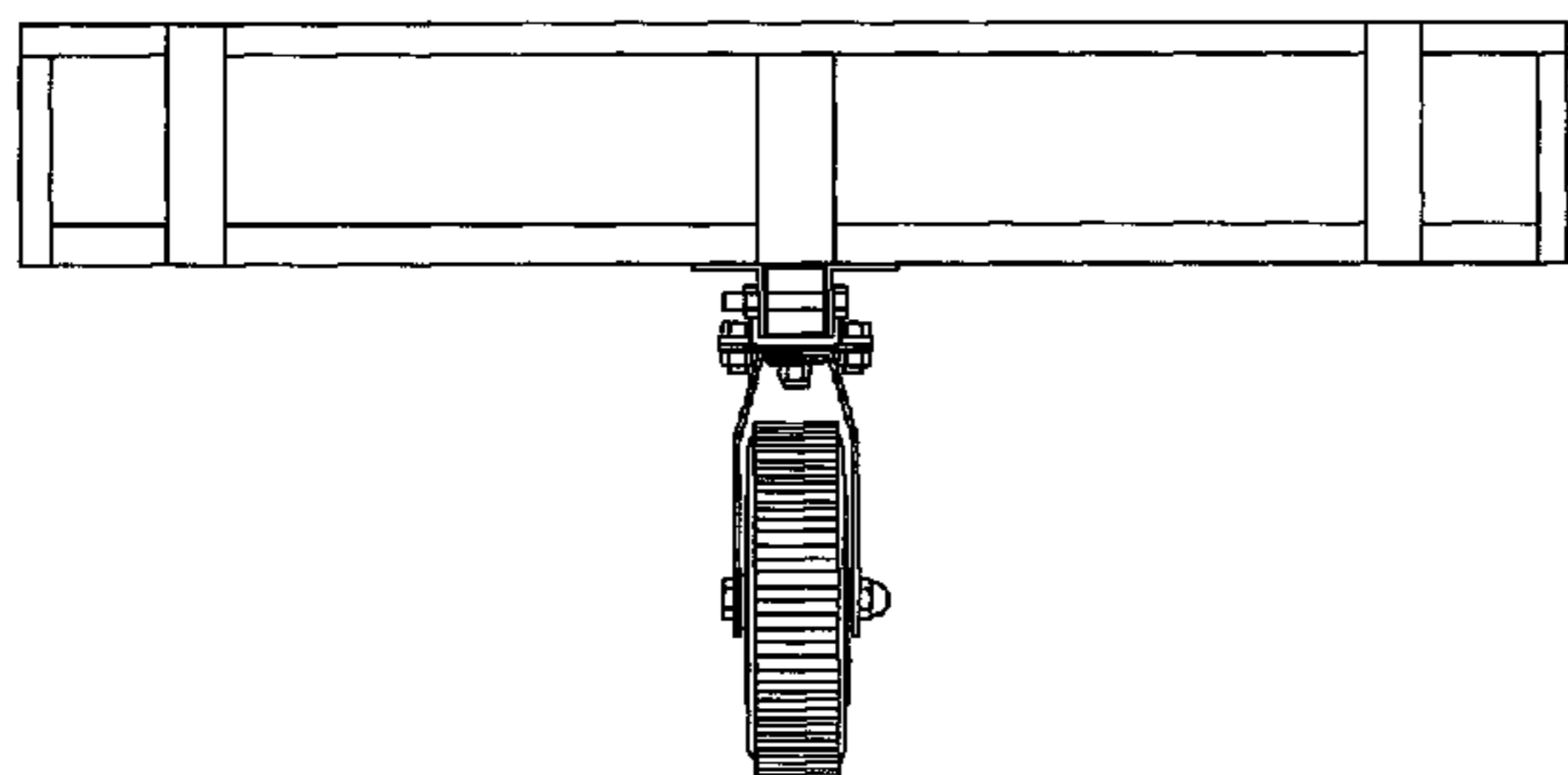
(57) **CLAIM**

The ornamental design for a foldup trailer, as shown and described.

DESCRIPTION

FIG. 1 is a front view;
 FIG. 2 is a rear view;
 FIG. 3 is a side view;
 FIG. 4 is an opposite side view;
 FIG. 5 is a top view;
 FIG. 6 is a bottom view;
 FIG. 7 is a front view with tongue folded up;
 FIG. 8 is a rear view with tongue folded up;
 FIG. 9 is a side view with tongue folded up;
 FIG. 10 is an opposite side view with tongue folded up;
 FIG. 11 is a top view with tongue folded up; and,
 FIG. 12 is a bottom view with tongue folded up.

1 Claim, 8 Drawing Sheets



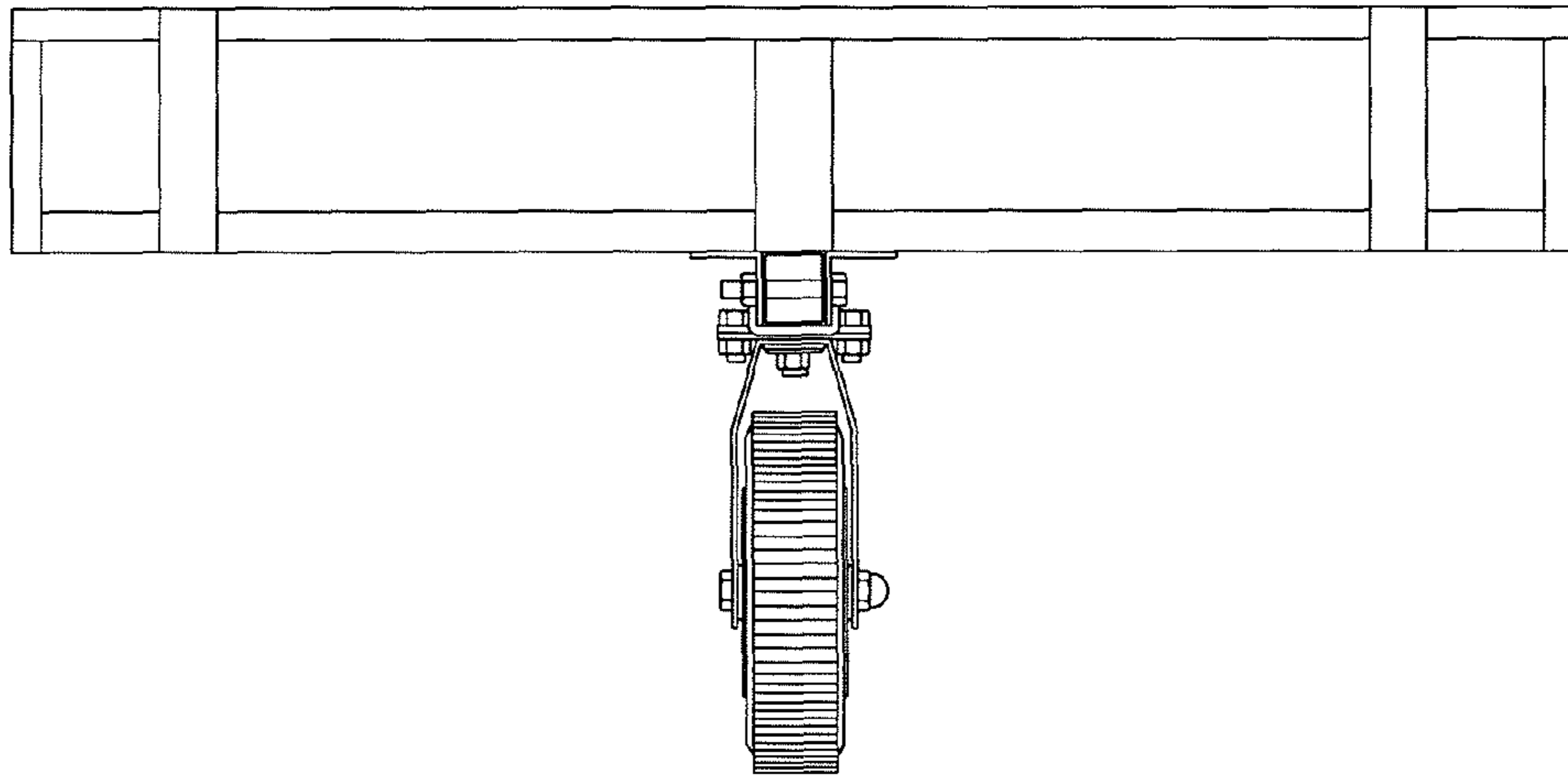


FIG. 1

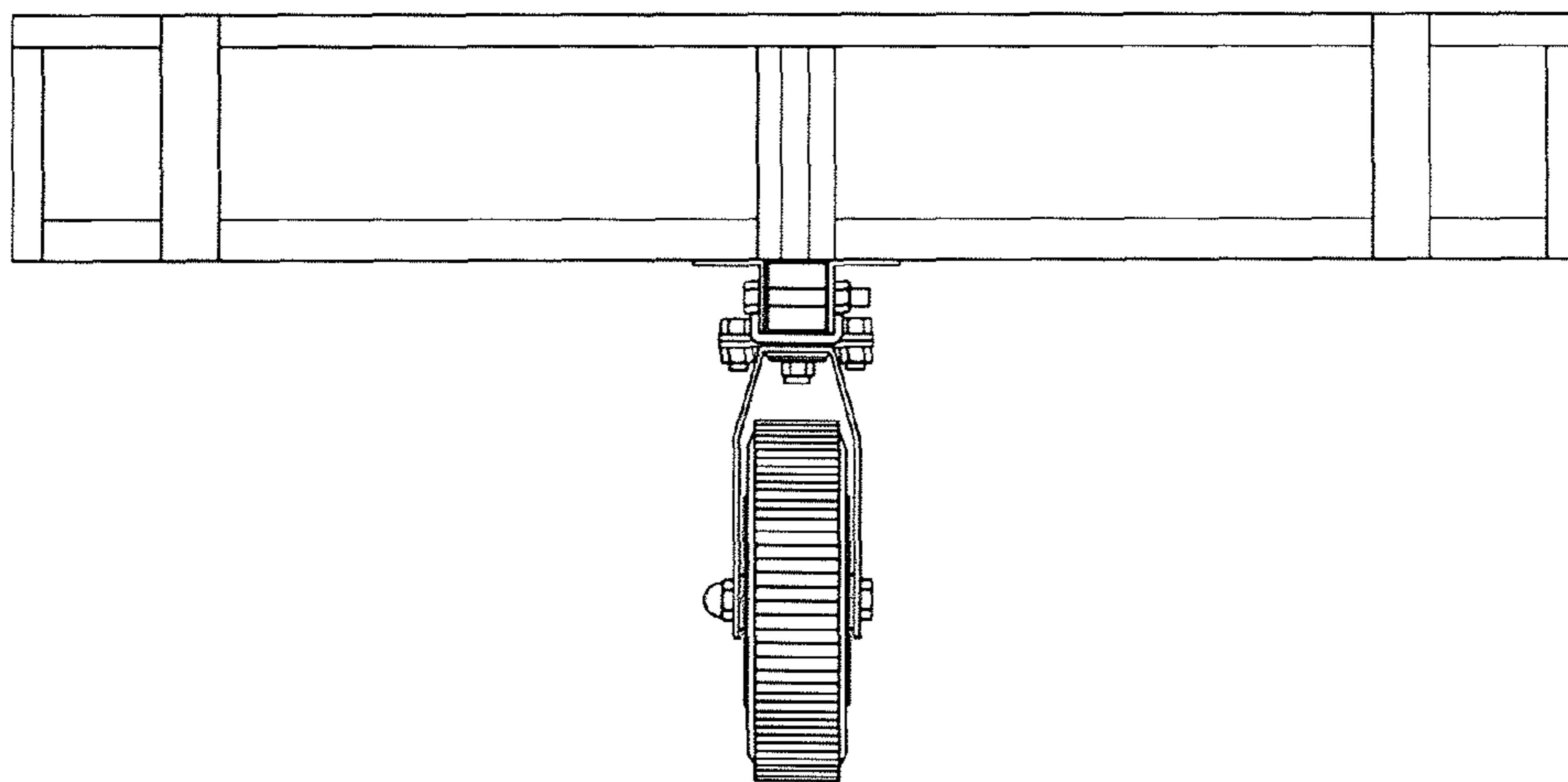


FIG. 2

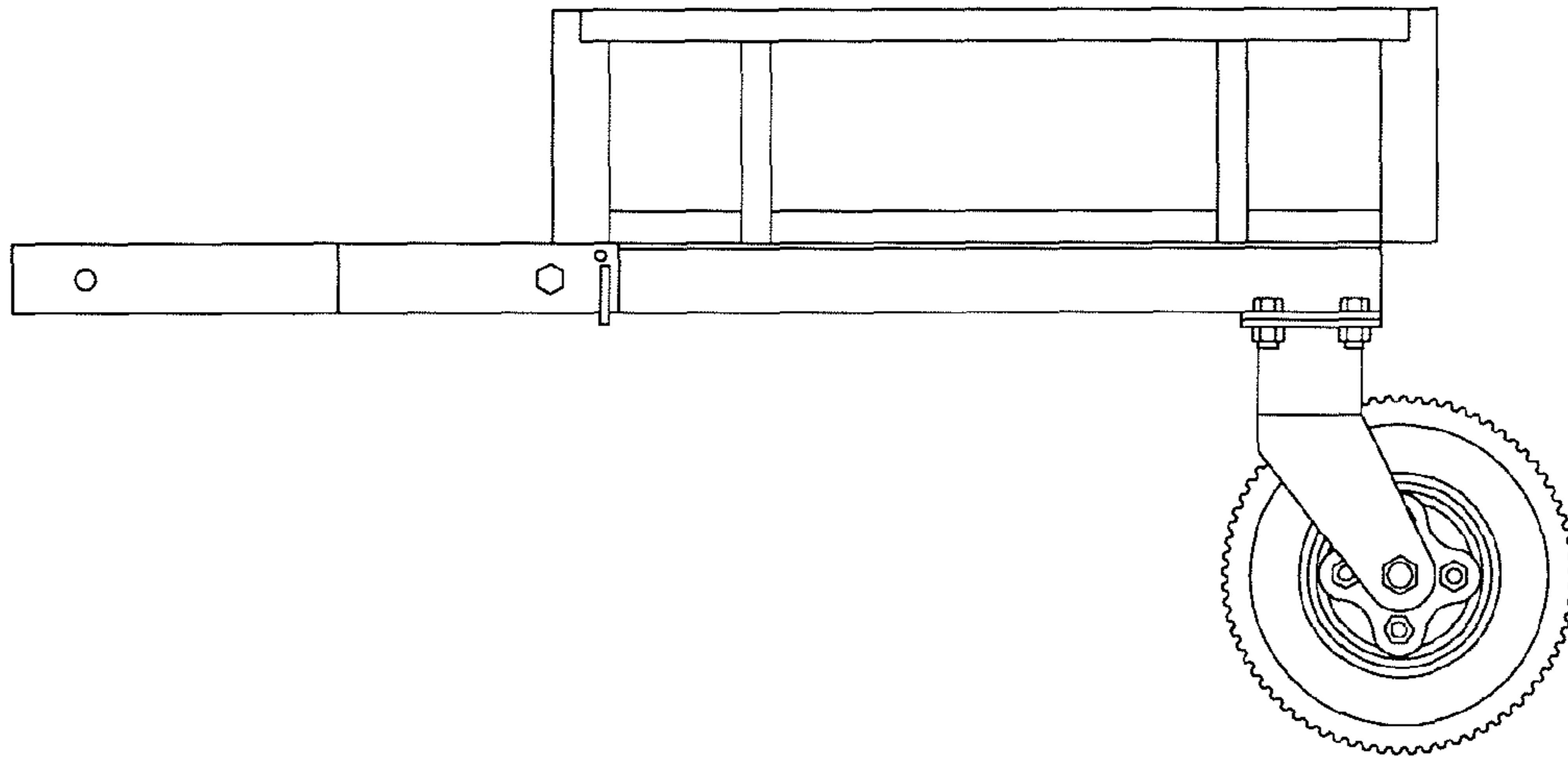


FIG. 3

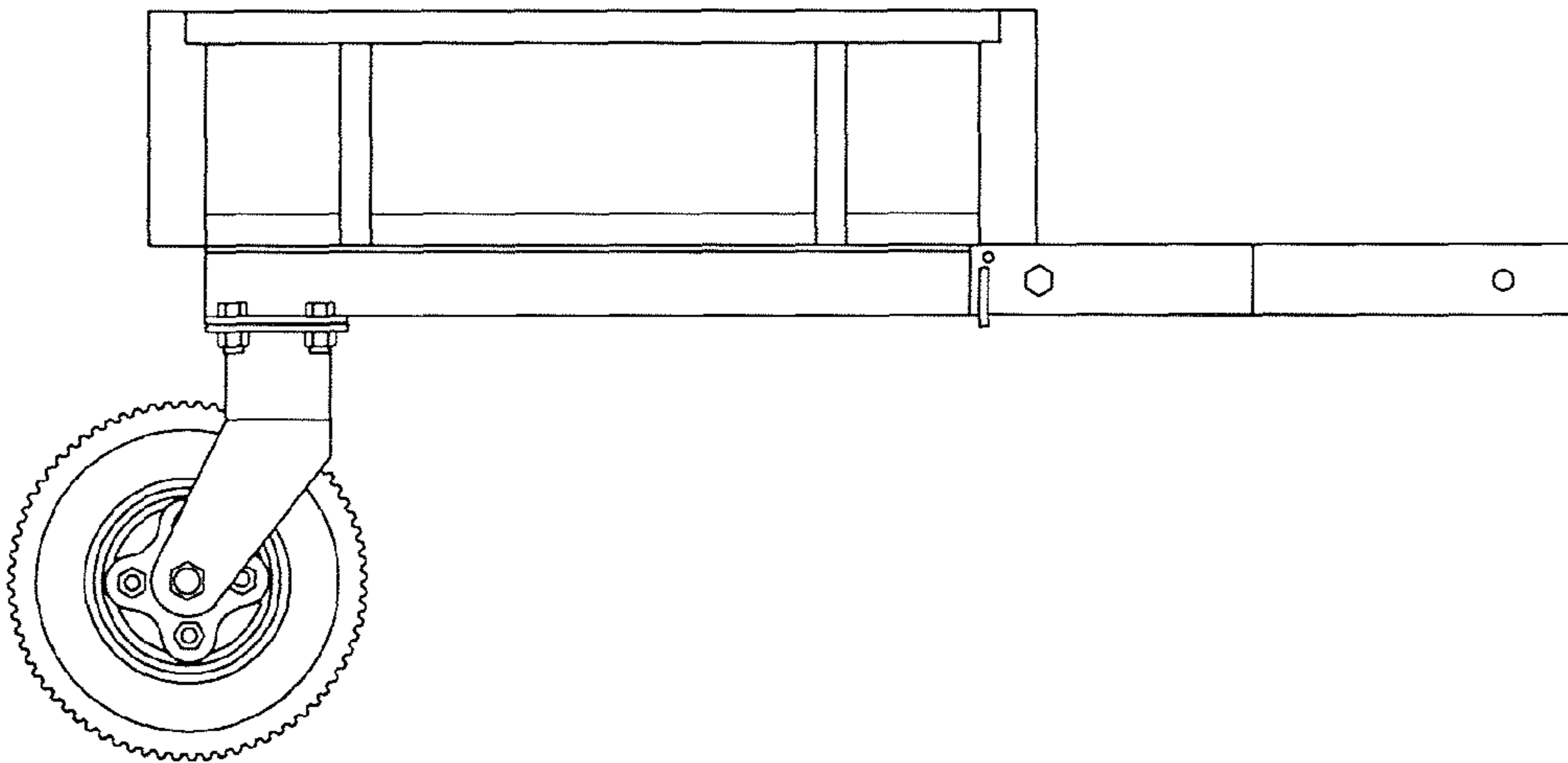


FIG. 4

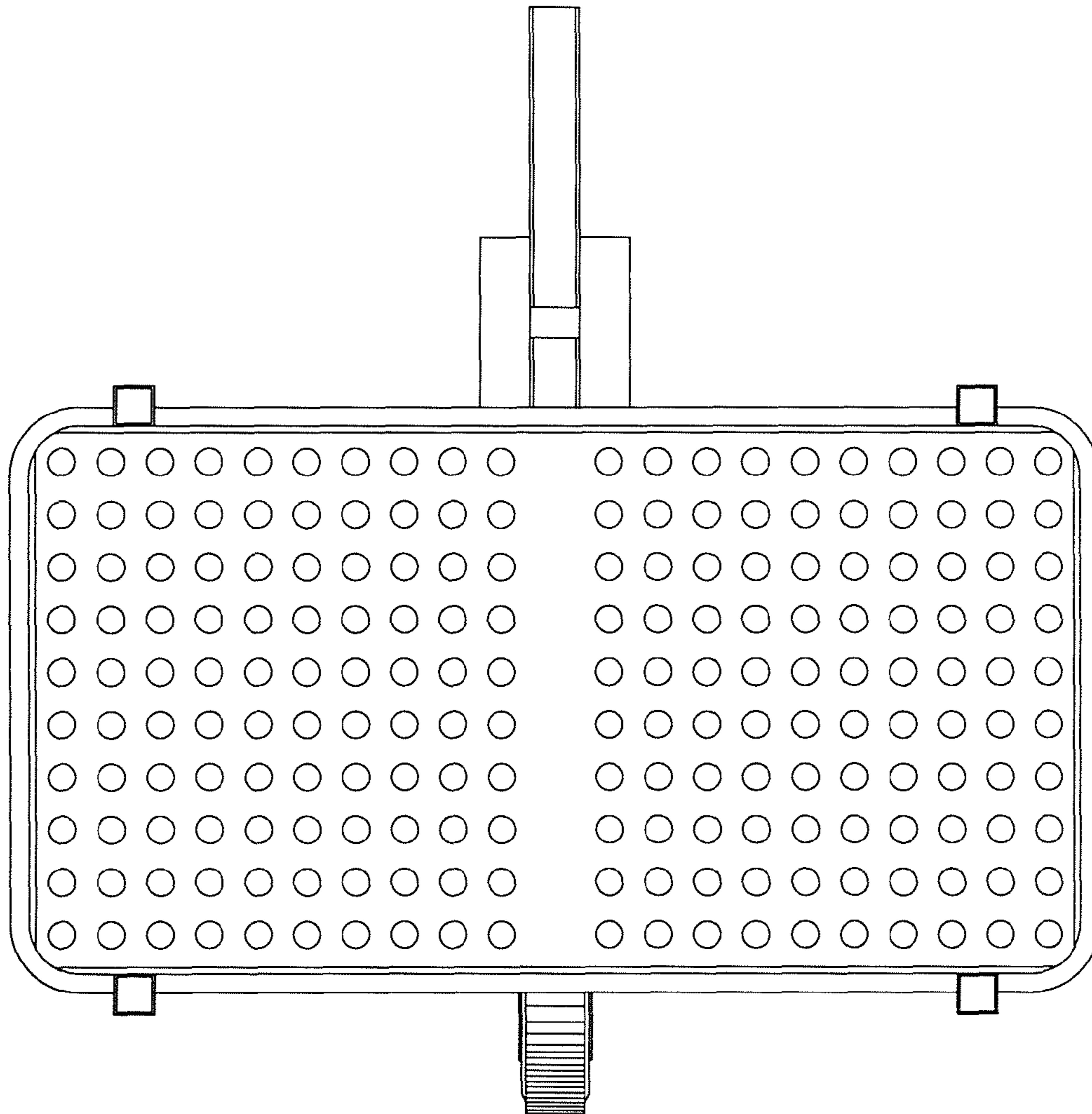


FIG. 5

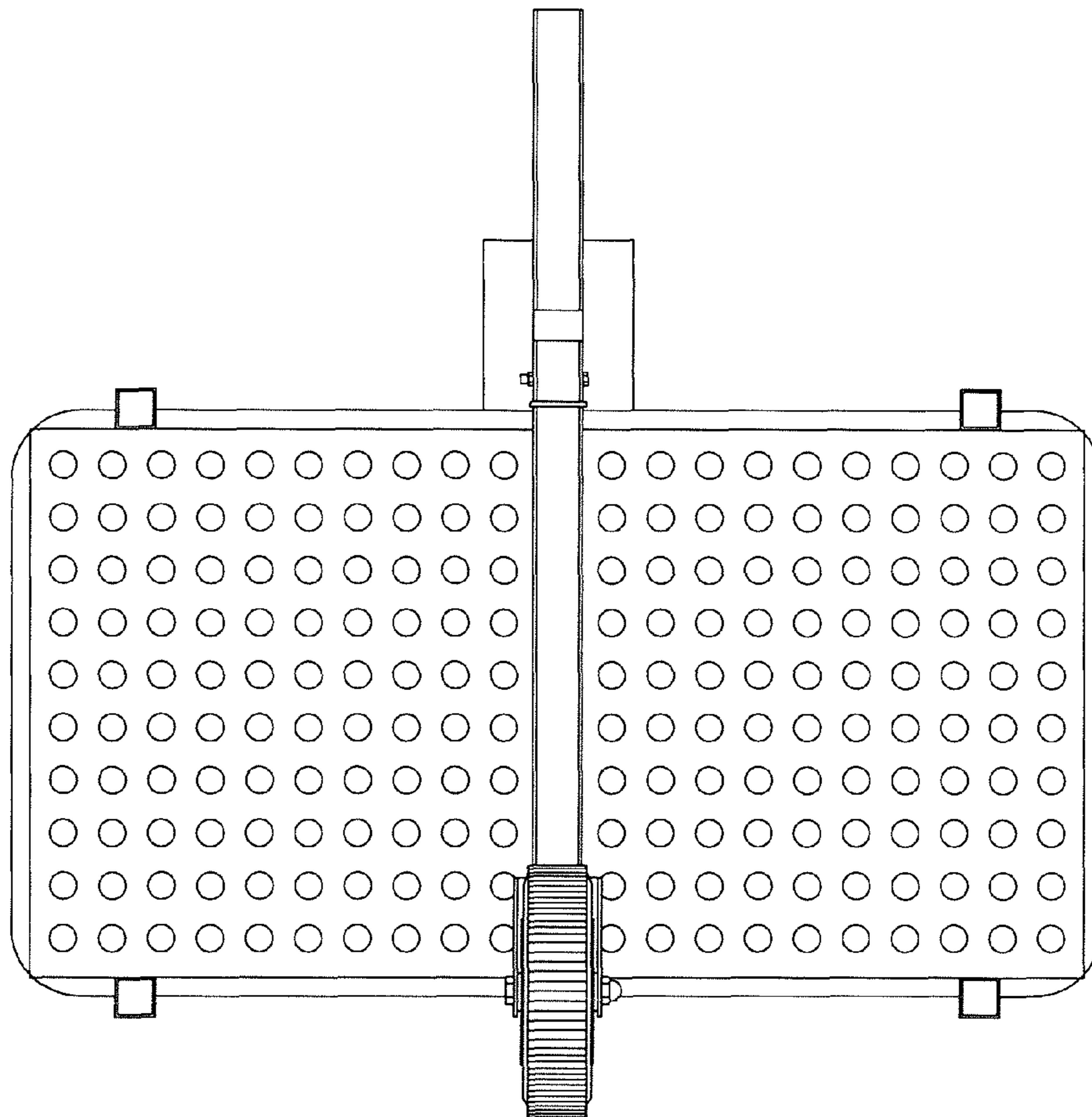


FIG. 6

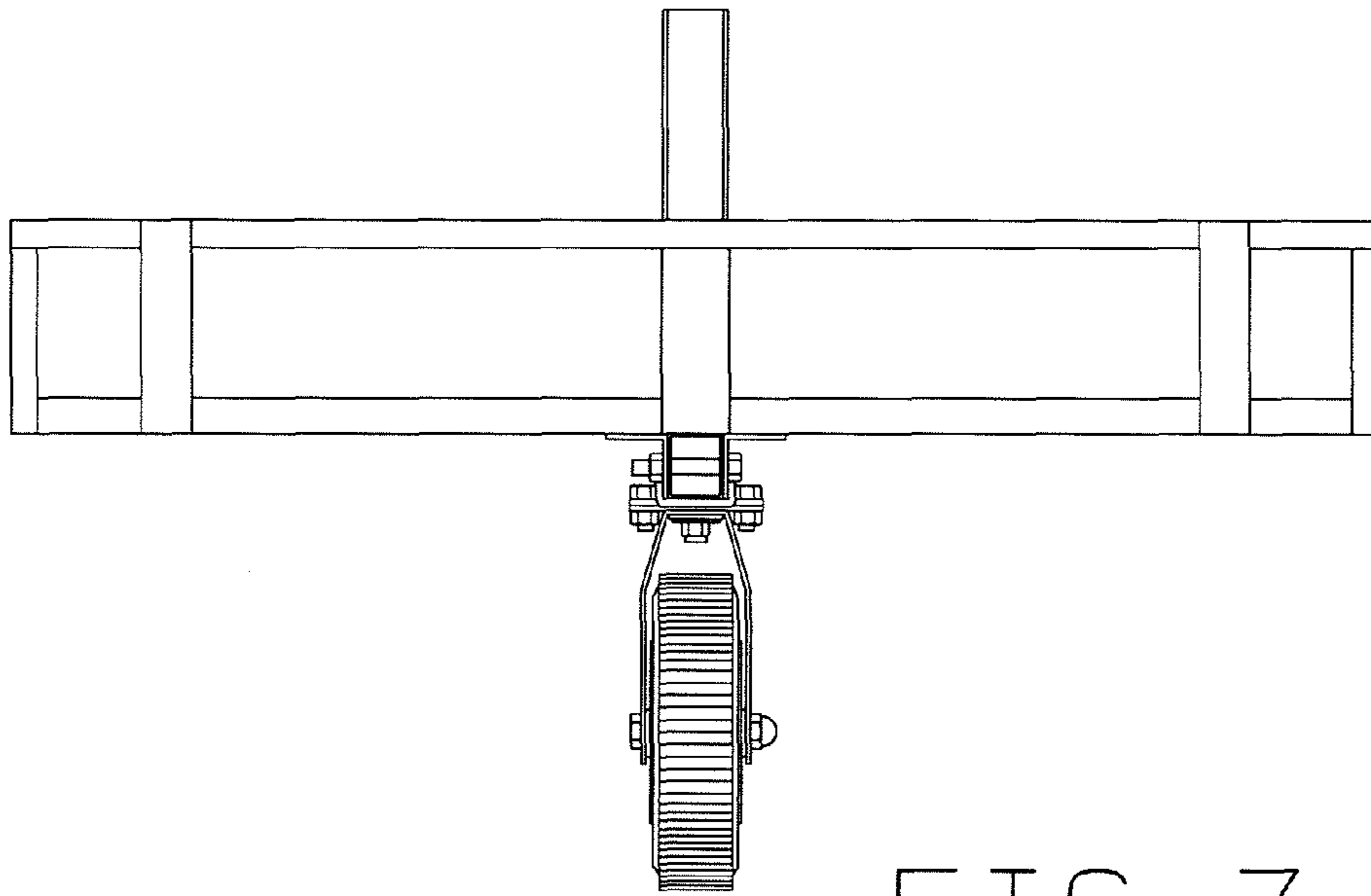


FIG. 7

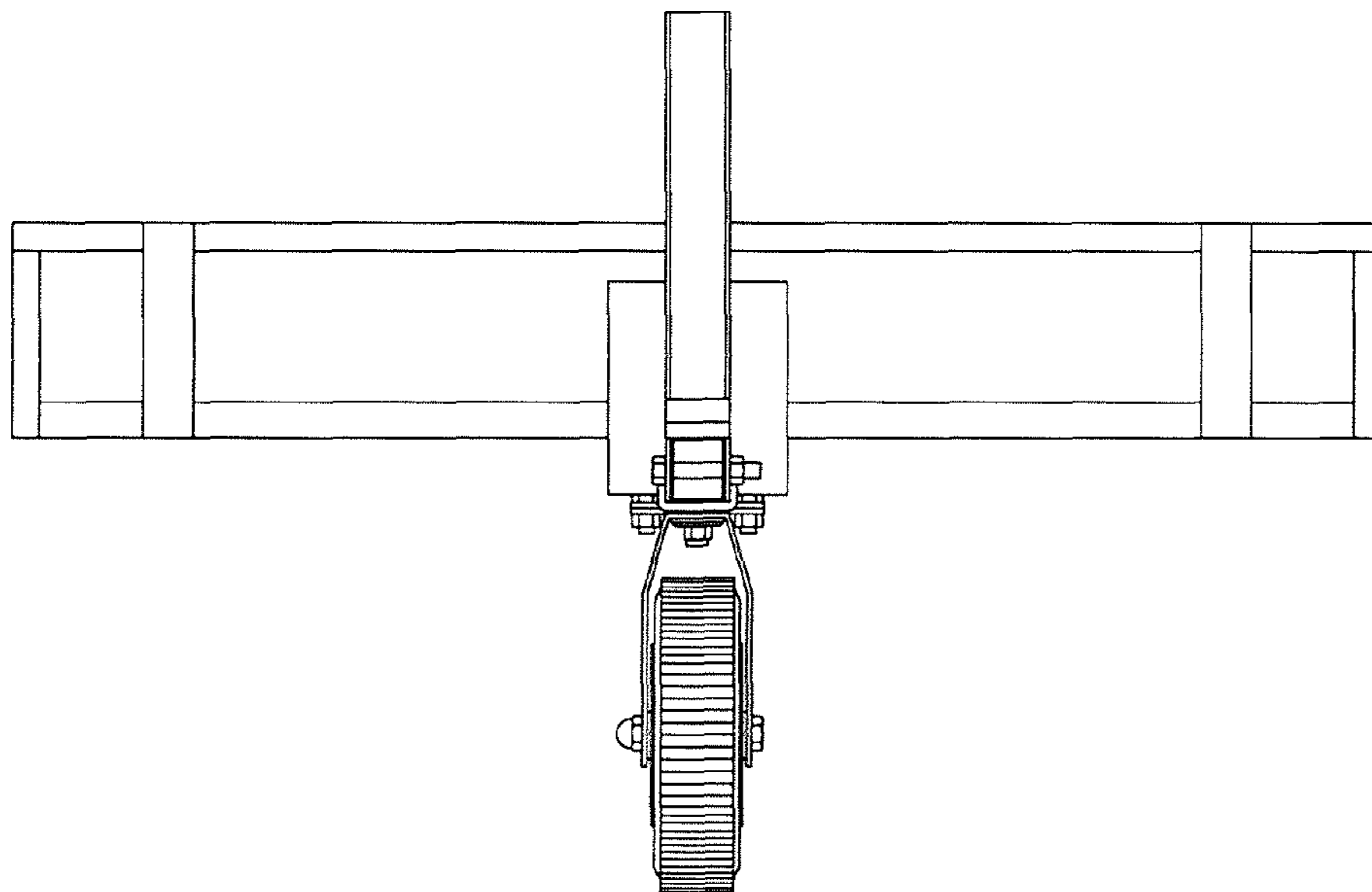


FIG. 8

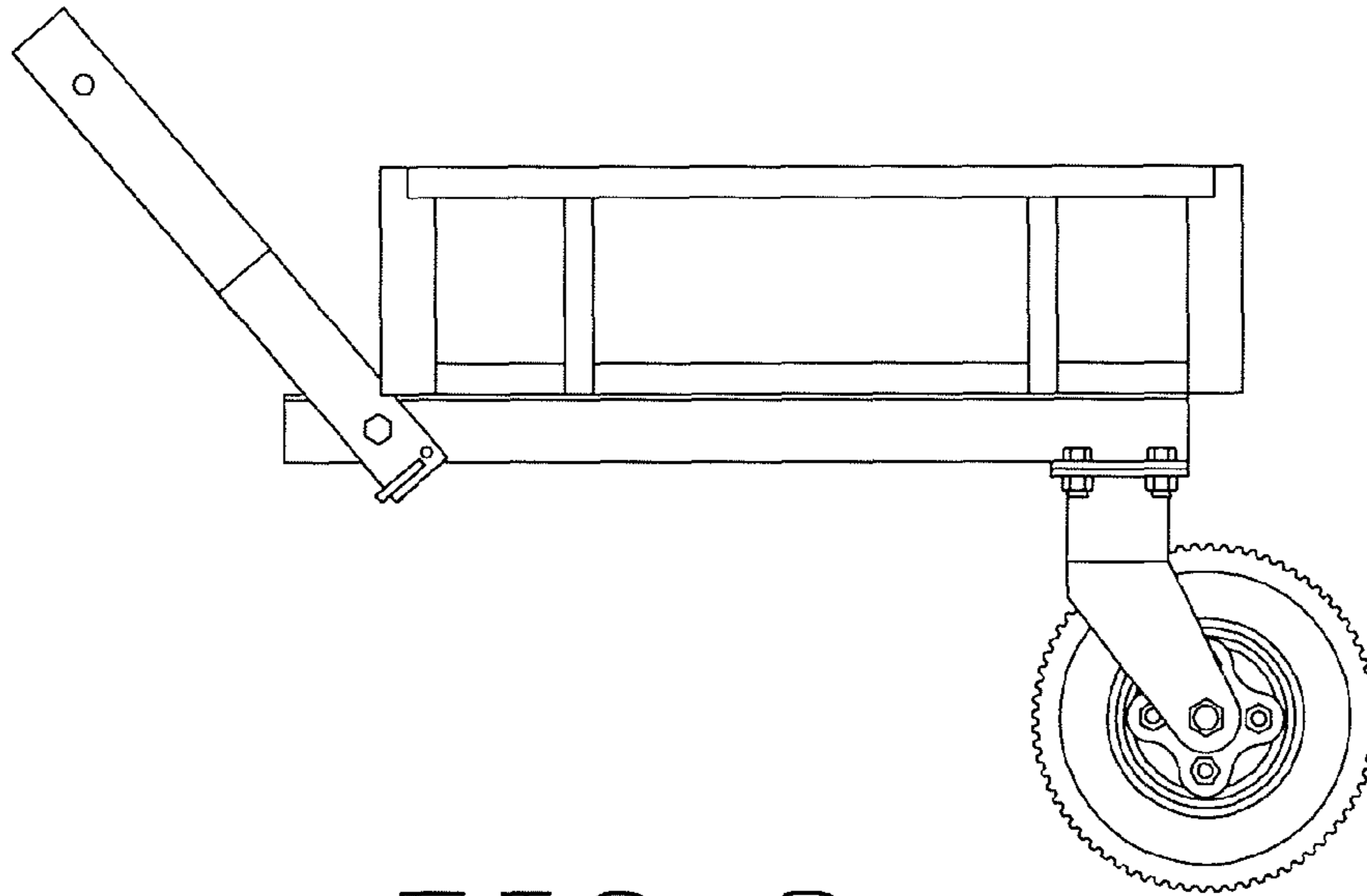


FIG. 9

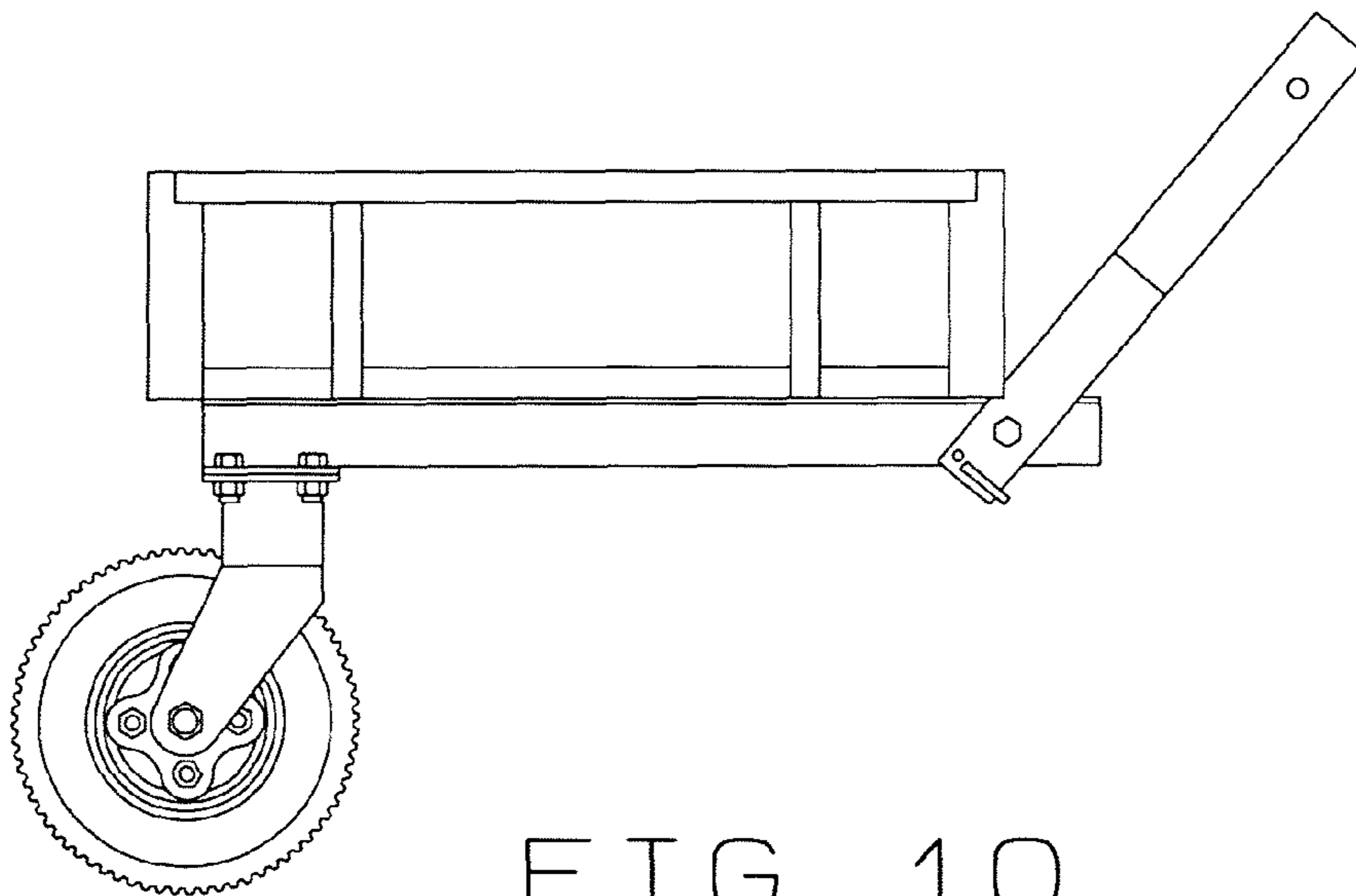


FIG. 10

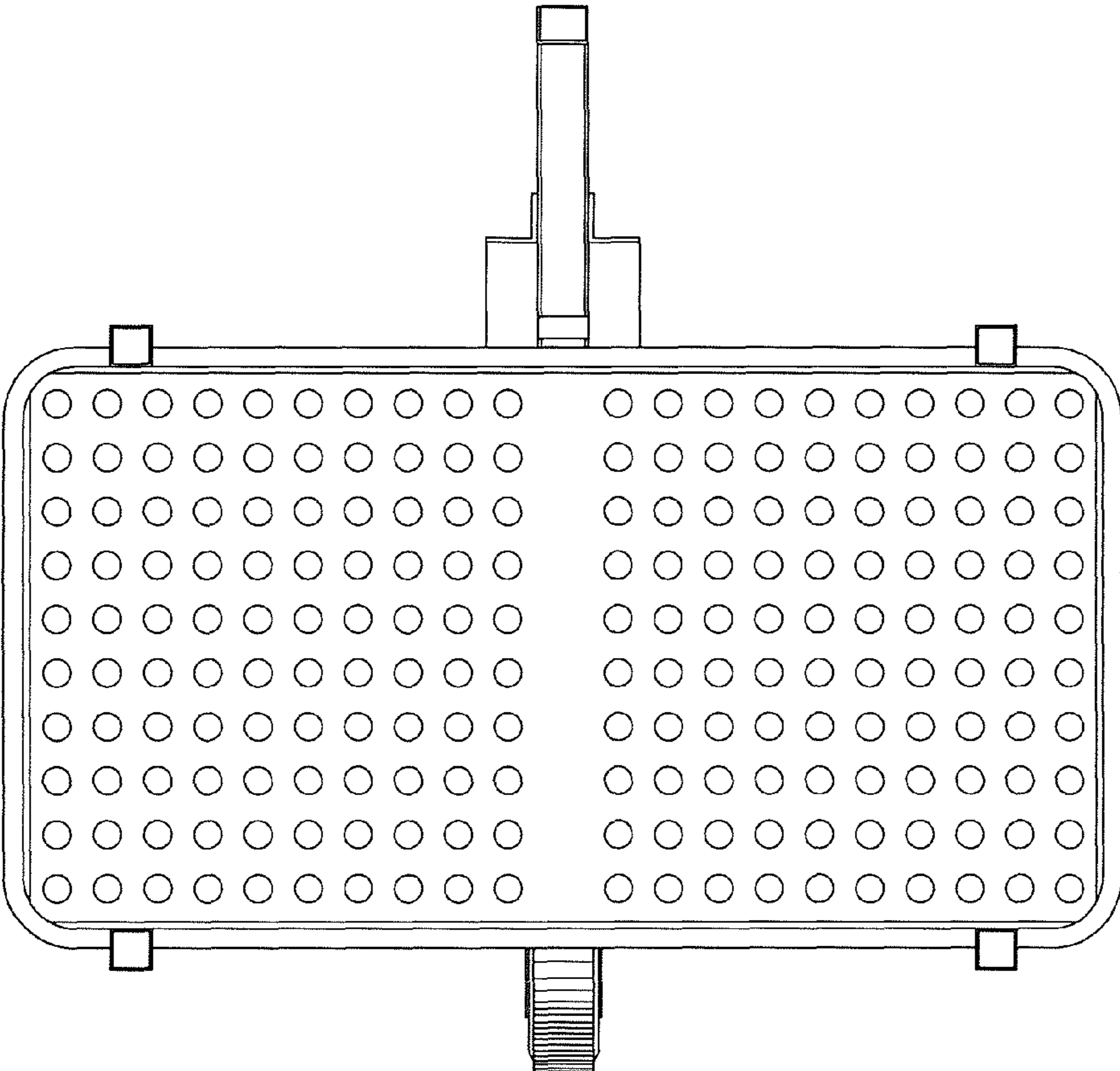


FIG. 11

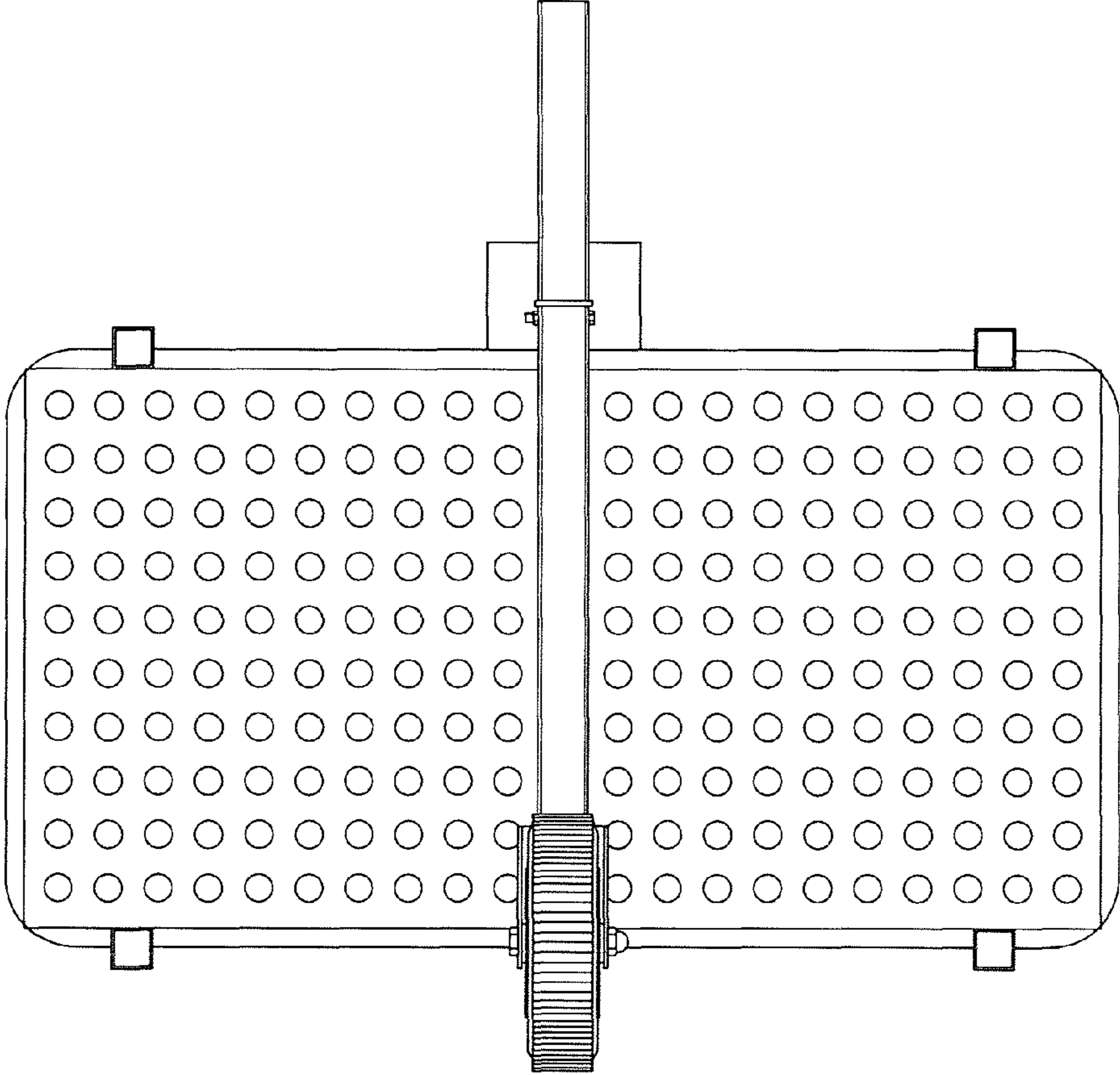


FIG. 12