

US00D691514S

(12) **United States Design Patent**  
**Wang et al.**

(10) **Patent No.:** **US D691,514 S**  
(45) **Date of Patent:** **\*\* Oct. 15, 2013**

(54) **ROTOR AIRCRAFT**

(71) Applicant: **SZ DJI Technology Co., Ltd.**, Shenzhen (CN)

(72) Inventors: **Tao Wang**, Shenzhen (CN); **Shaojie Chen**, Shenzhen (CN)

(73) Assignee: **SZ DJI Technology Co., Ltd.**, Shenzhen (CN)

(\*\*) Term: **14 Years**

(21) Appl. No.: **29/446,206**

(22) Filed: **Feb. 21, 2013**

(30) **Foreign Application Priority Data**

Sep. 6, 2012 (CN) ..... 2012 3 0425431

(51) **LOC (9) Cl.** ..... **12-07**

(52) **U.S. Cl.**  
USPC ..... **D12/16.1**; D12/326; D12/328; D21/442

(58) **Field of Classification Search**  
USPC ..... D12/16.1, 319, 320, 325, 326, 327, D12/328, 329, 345; D21/430, 436, 437, D21/441, 442, 443, 444, 447, 450, 451, 453; 244/2, 5, 6, 7 A, 7 R, 12.1, 12.2, 158.1-158.3, 244/17.11, 17.13, 17.17, 17.23, 17.25, 17.27, 244/23 C, 23 R, 53 R, 63; 446/36, 37, 46-48, 446/230, 231, 232, 233, 236; 280/1.12

See application file for complete search history.

(56) **References Cited**

**U.S. PATENT DOCUMENTS**

3,053,480 A \* 9/1962 Vanderlip ..... 244/17.13  
3,185,410 A \* 5/1965 Smart ..... 244/17.23  
3,211,399 A \* 10/1965 Eickmann ..... 244/17.23

3,253,806 A \* 5/1966 Eickmann ..... 244/17.23  
3,345,016 A \* 10/1967 Eickmann ..... 244/17.23  
3,768,757 A \* 10/1973 Eickmann ..... 244/17.23  
3,794,273 A \* 2/1974 Girard ..... 244/7 A  
4,173,321 A \* 11/1979 Eickmann ..... 244/17.23  
4,786,008 A \* 11/1988 Corbett ..... 244/53 R  
4,795,111 A \* 1/1989 Moller ..... 244/23 C  
4,799,629 A \* 1/1989 Mori ..... 244/23 C  
5,082,079 A \* 1/1992 Lissaman et al. .... 180/118  
6,260,796 B1 \* 7/2001 Klingensmith ..... 244/23 R  
D465,196 S \* 11/2002 Dammar ..... D12/328  
6,626,078 B2 \* 9/2003 Thornton ..... 89/1.13  
7,210,654 B1 \* 5/2007 Cox et al. .... 244/63  
D628,658 S \* 12/2010 Wurm ..... D21/442  
D648,808 S \* 11/2011 Seydoux et al. .... D21/441  
D659,771 S \* 5/2012 Seydoux et al. .... D21/441  
2007/0105474 A1 \* 5/2007 Gotou et al. .... 446/37  
2008/0048065 A1 \* 2/2008 Kuntz ..... 244/17.23  
2009/0283629 A1 \* 11/2009 Kroetsch et al. .... 244/17.23  
2010/0243794 A1 \* 9/2010 Jermyn ..... 244/17.23  
2012/0138732 A1 \* 6/2012 Olm et al. .... 244/17.23

\* cited by examiner

*Primary Examiner* — Caron D Veynar

*Assistant Examiner* — Martie K Holtje

(74) *Attorney, Agent, or Firm* — Syncoda LLC; Feng Ma

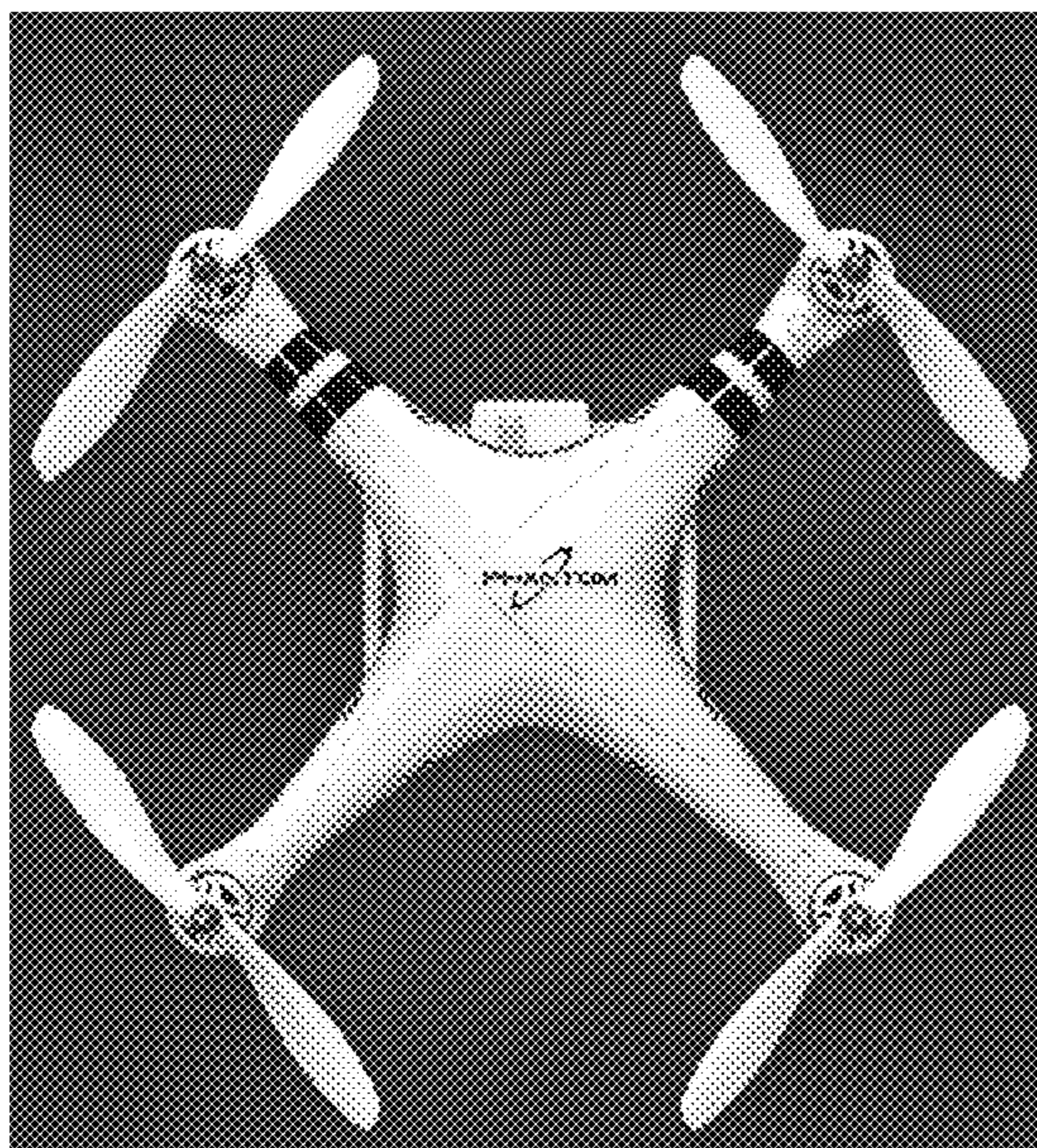
(57) **CLAIM**

The ornamental design for a rotor aircraft, substantially as shown and described.

**DESCRIPTION**

FIG. 1 is a front view;  
FIG. 2 is a rear view;  
FIG. 3 is a right side view;  
FIG. 4 is a left side view;  
FIG. 5 is a top view;  
FIG. 6 is a bottom view; and,  
FIG. 7 is a bottom perspective view thereof.

**1 Claim, 5 Drawing Sheets**



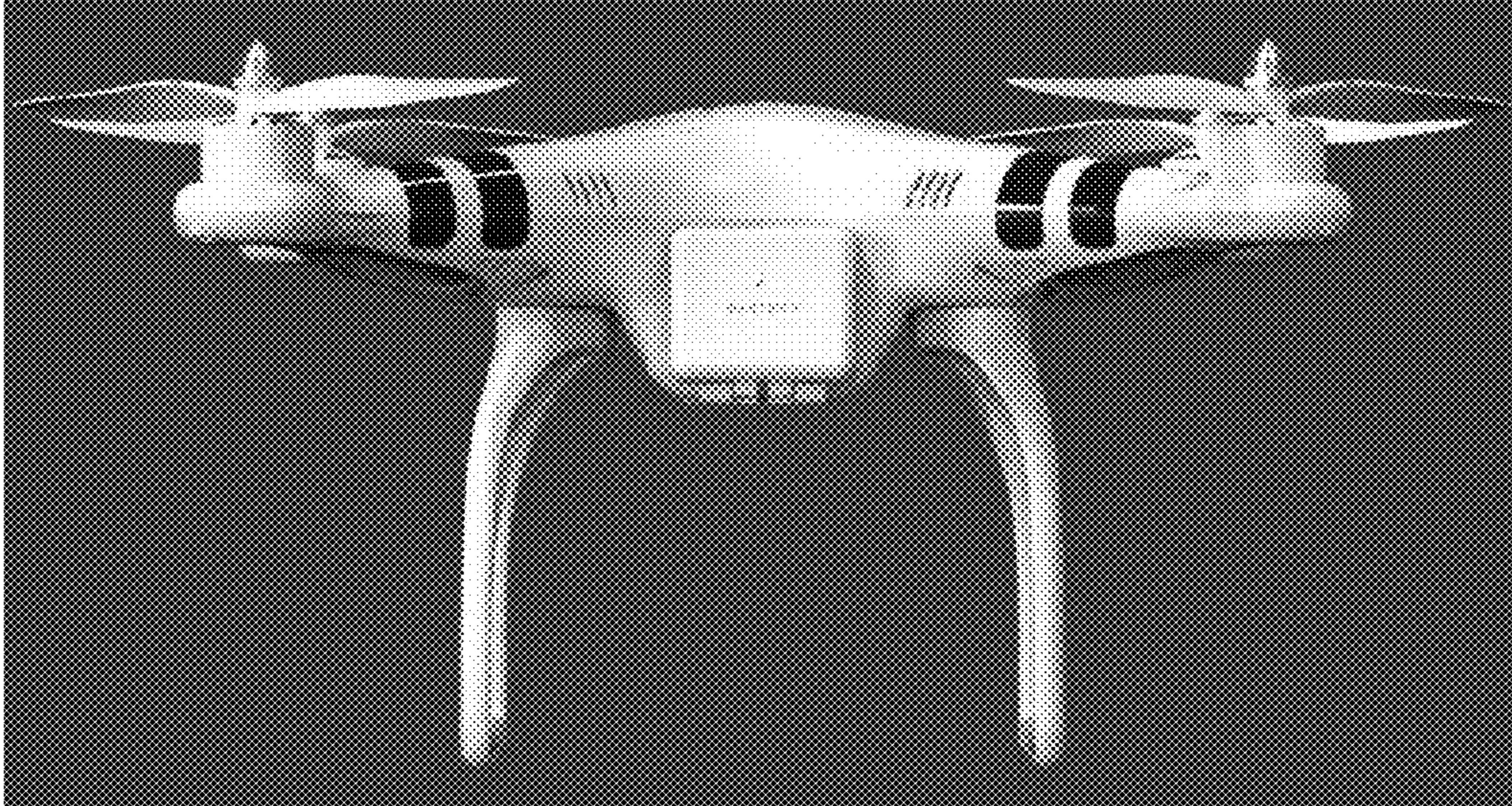


FIG. 1



FIG. 2

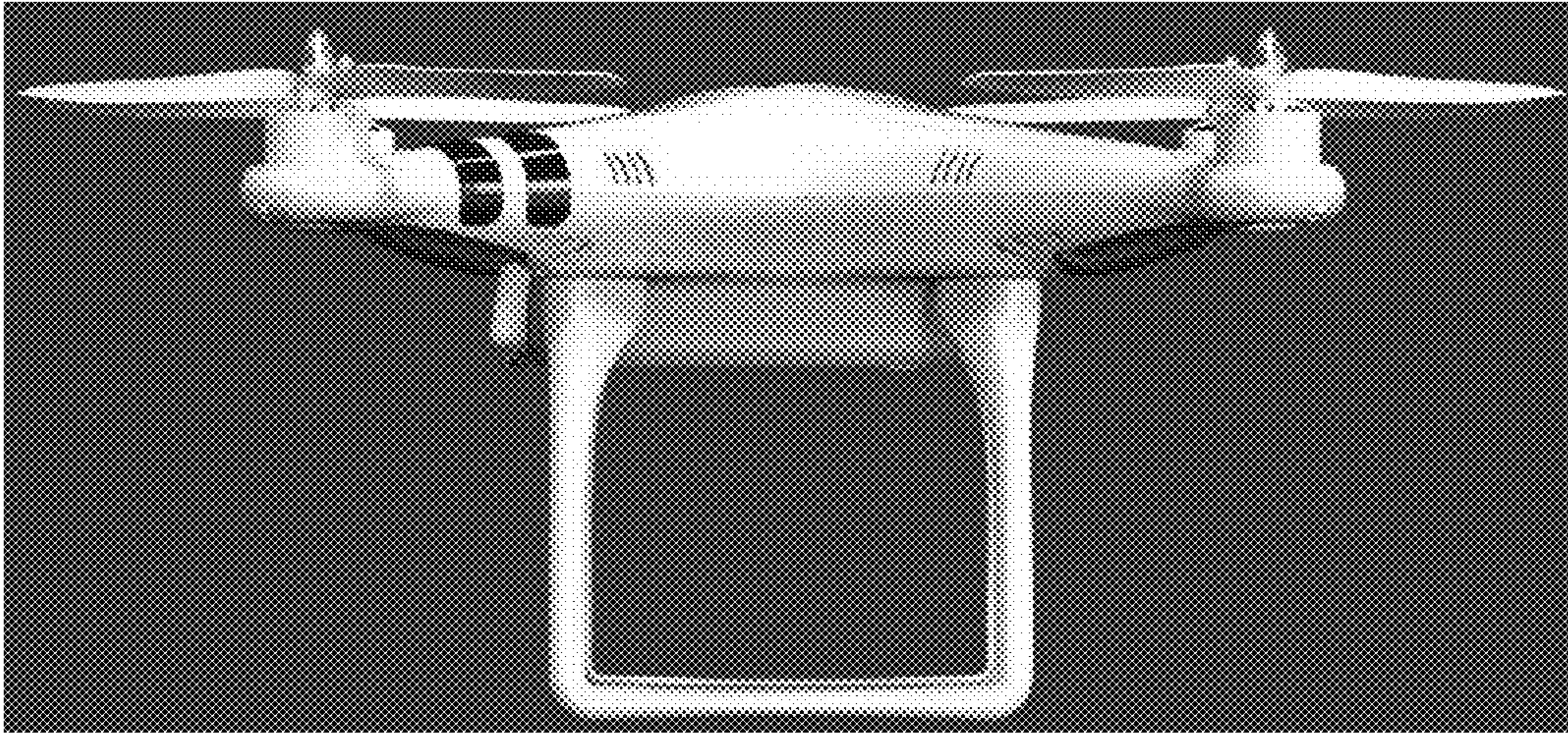


FIG. 3

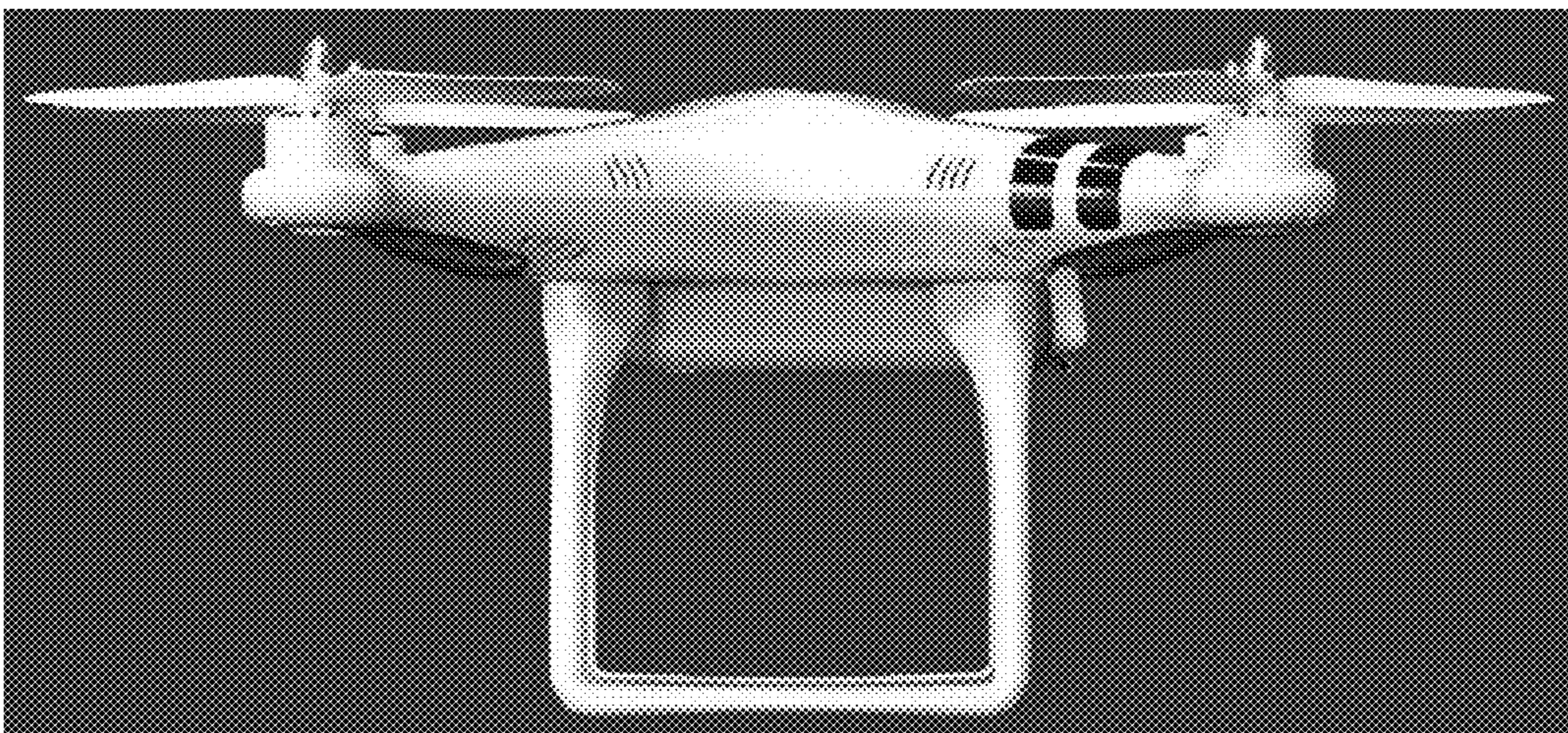


FIG. 4



FIG. 5

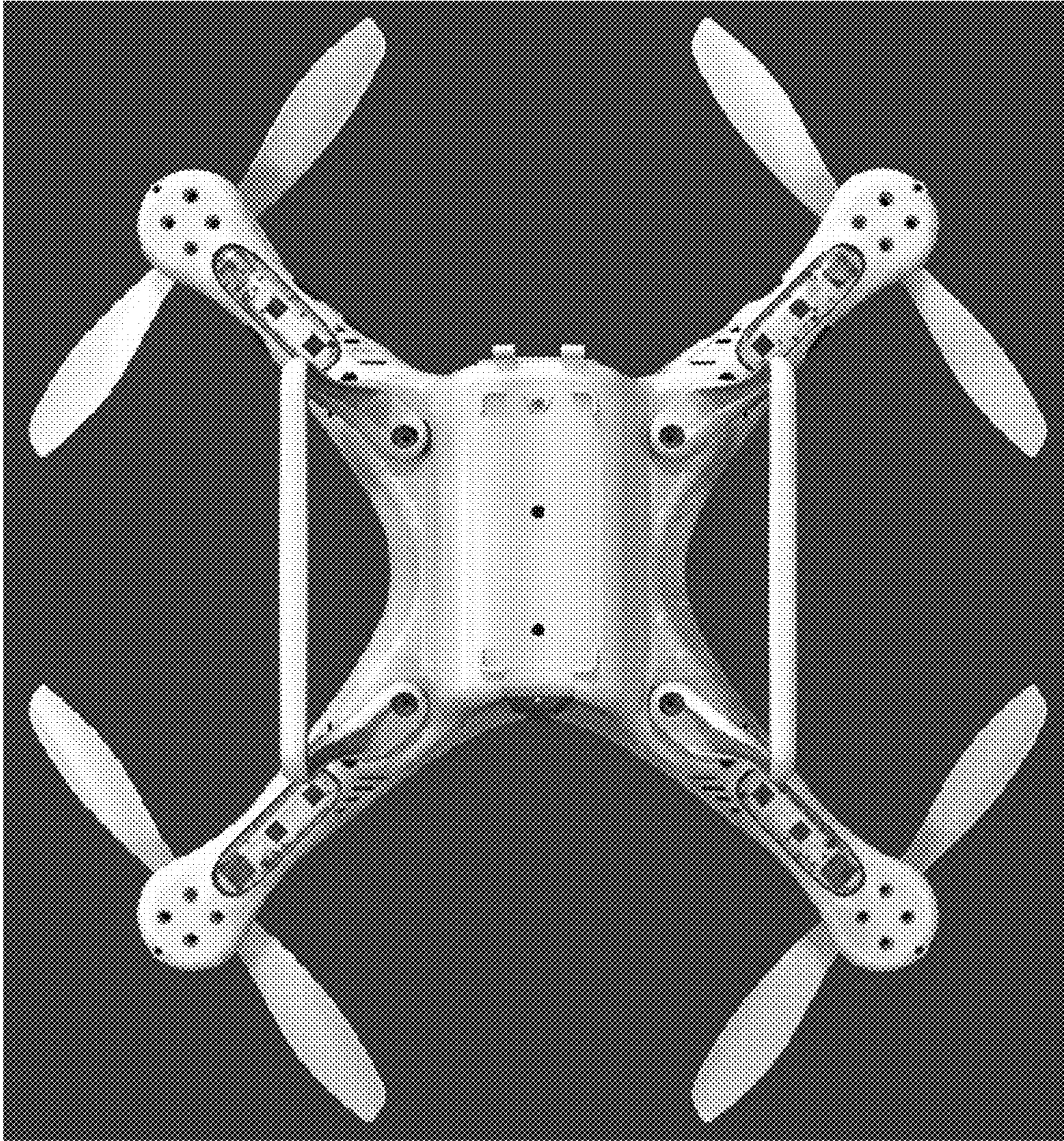


FIG. 6



FIG. 7