

US00D691513S

(12) **United States Design Patent**
Holloway et al.

(10) **Patent No.:** **US D691,513 S**
(45) **Date of Patent:** **** Oct. 15, 2013**

(54) **BUCKLE (BEA)**

D97,766 S * 12/1935 Freysinger D11/236
D479,489 S * 9/2003 Calvani D11/234
D621,868 S 8/2010 Gonzalez

(75) Inventors: **Simon Holloway**, London (GB); **Nicolas Baurain**, London (GB)

OTHER PUBLICATIONS

(73) Assignee: **J. Choo Limited**, London (GB)

J. Choo Limited—Clasp from Catherine Handbag—www.jim-mychoo.com, May 29, 2012.
Dupont lighter from Tanagra—photograph.

(**) Term: **14 Years**

* cited by examiner

(21) Appl. No.: **29/395,390**

Primary Examiner — Ralf Seifert

(22) Filed: **Jan. 11, 2012**

(74) *Attorney, Agent, or Firm* — Fross Zelnick Lehman & Zissu, P.C.; Lawrence E. Apolzon, Esq.

(30) **Foreign Application Priority Data**

(57) **CLAIM**

Jul. 15, 2011 (EM) 001892159-0031

The ornamental design for buckle (Bea), as shown and described.

(51) **LOC (9) Cl.** **02-07**

DESCRIPTION

(52) **U.S. Cl.**
USPC **D11/234**

FIG. 1 is a front perspective view of a buckle showing my new design;
FIG. 2 is a top view of the belt shown in FIG. 1;
FIG. 3 is a bottom view of the belt shown in FIG. 1;
FIG. 4 is a left side view of the belt shown in FIG. 1;
FIG. 5 is a right side view of the belt shown in FIG. 1;
FIG. 6 is a front view of the buckle shown in FIG. 1;
FIG. 7 is a rear view of the buckle shown in FIG. 1; and,
FIG. 8 is a perspective view of the buckle shown in FIG. 1, shown in a buckled position, and in the environment of a belt. The broken line showing of the buckle tongue, buckle hole, and portions of the belt in relevant drawings shows unclaimed subject matter for the design in those drawings.

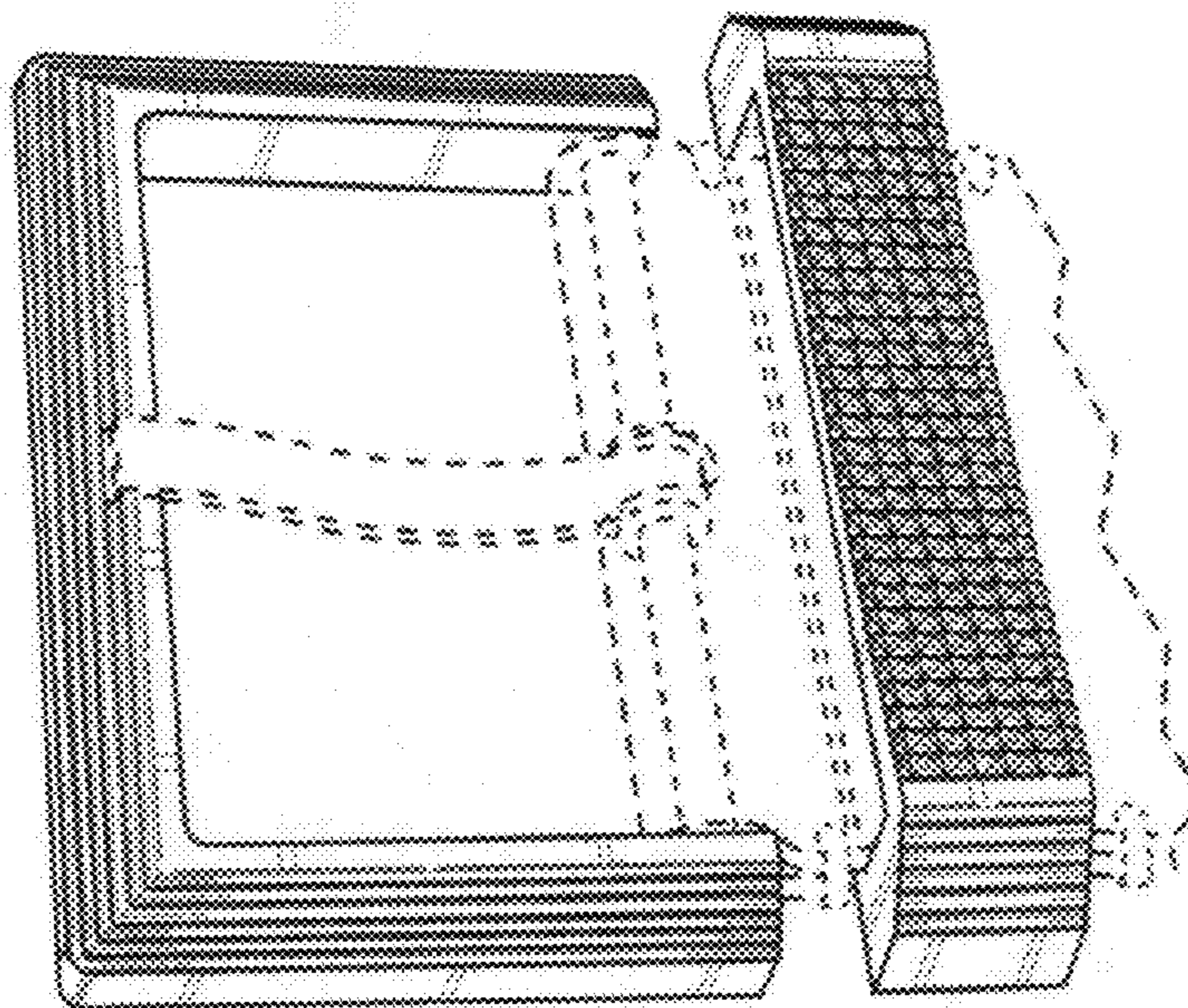
(58) **Field of Classification Search**
USPC D11/1–2, 200–201, 206–210, 214–218;
24/163 R, 169–171, 173, 177–179, 191,
24/194–195, 197, 200, 614–616, 625
See application file for complete search history.

(56) **References Cited**

U.S. PATENT DOCUMENTS

D89,634 S * 4/1933 Fromm D11/237
D89,635 S * 4/1933 Fromm D11/237

1 Claim, 4 Drawing Sheets



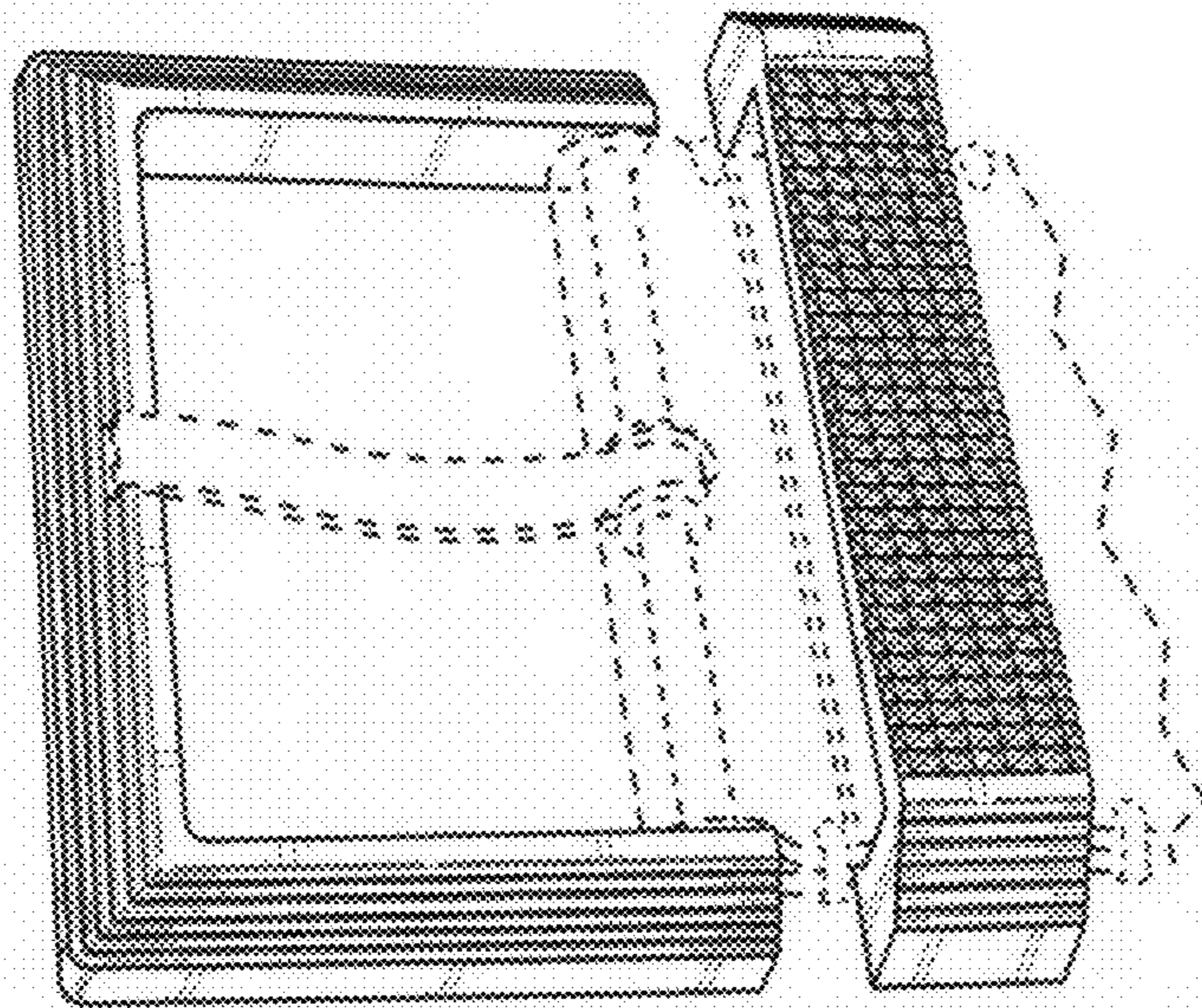


FIG. 1

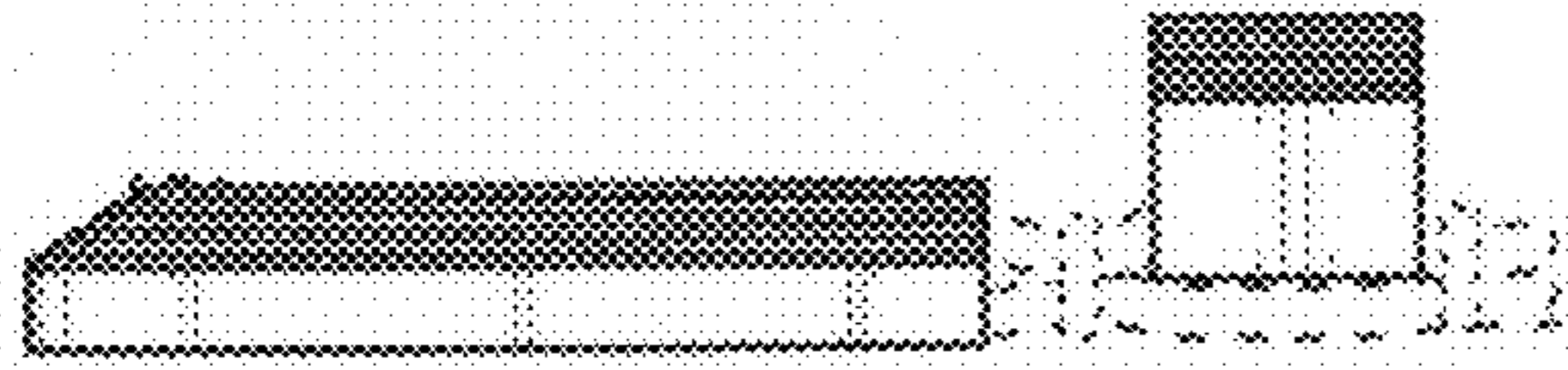


FIG. 2

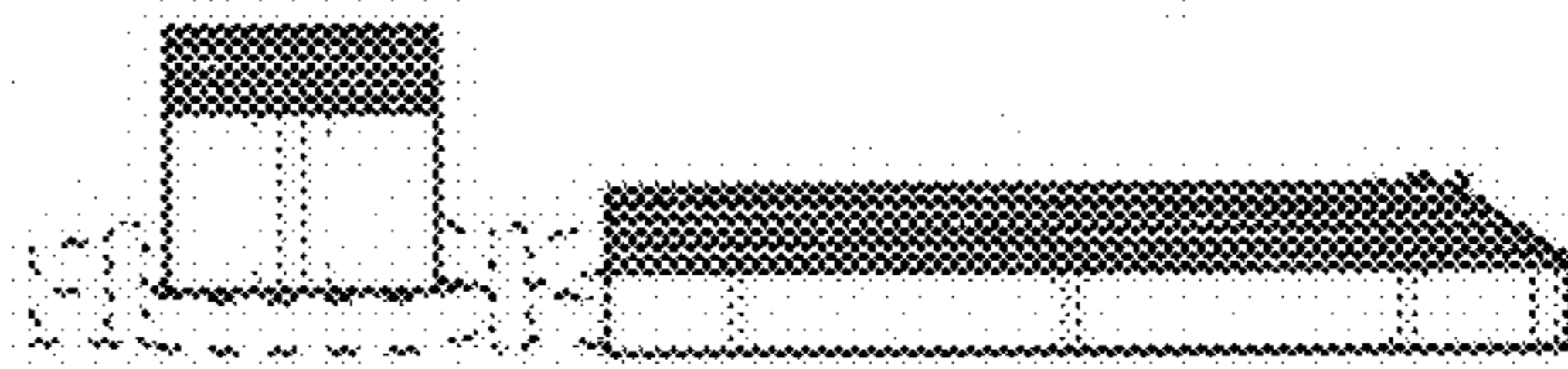


FIG. 3

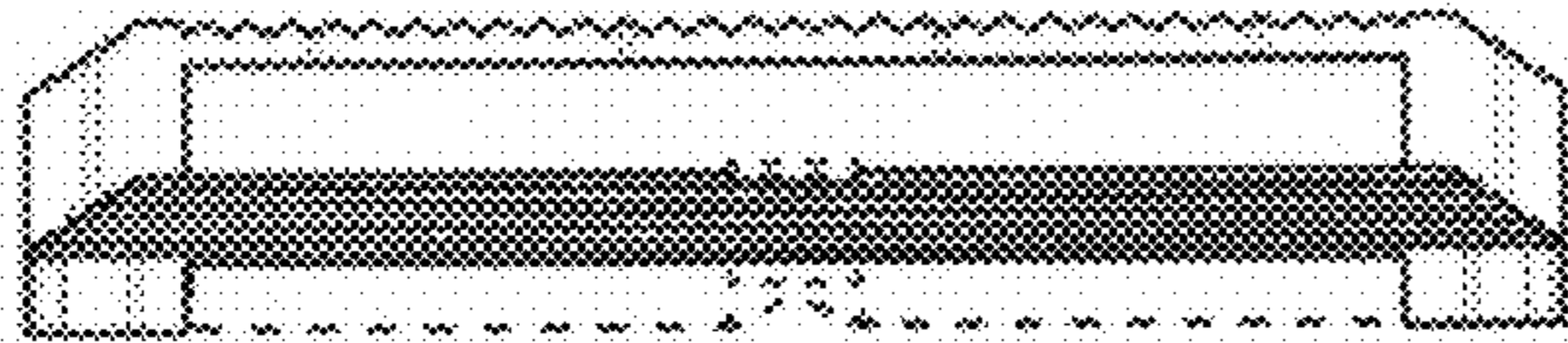


FIG. 4

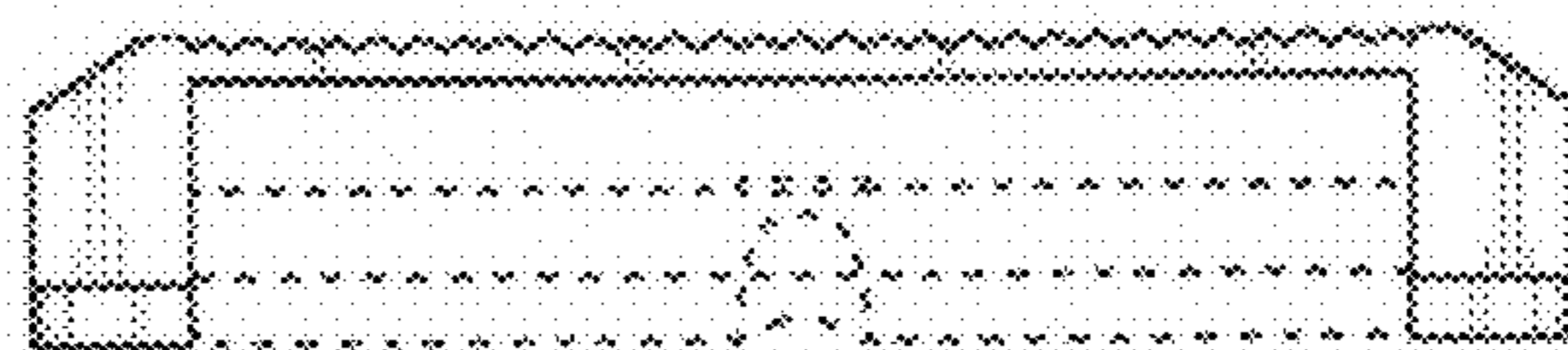


FIG. 5

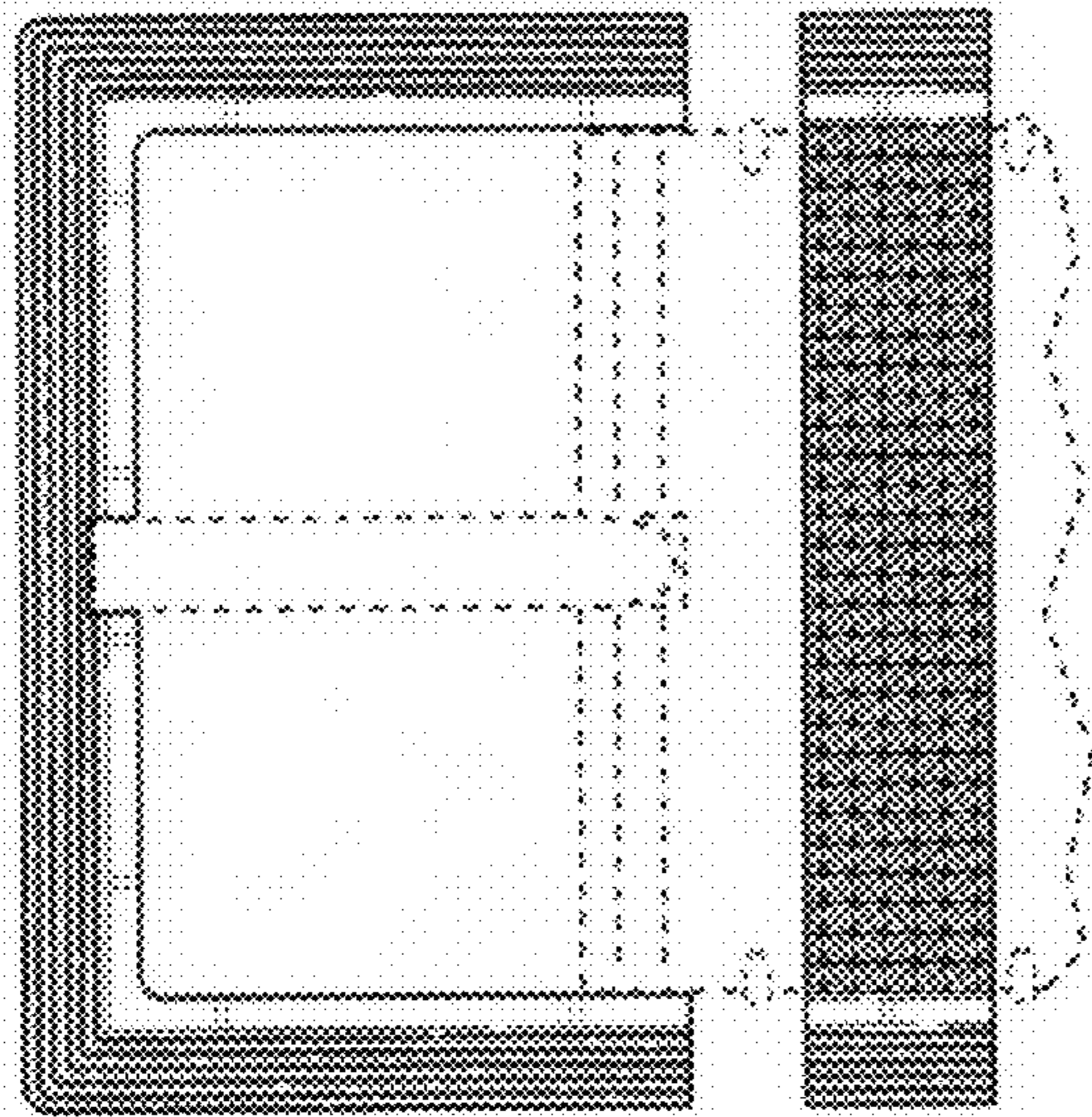


FIG. 6

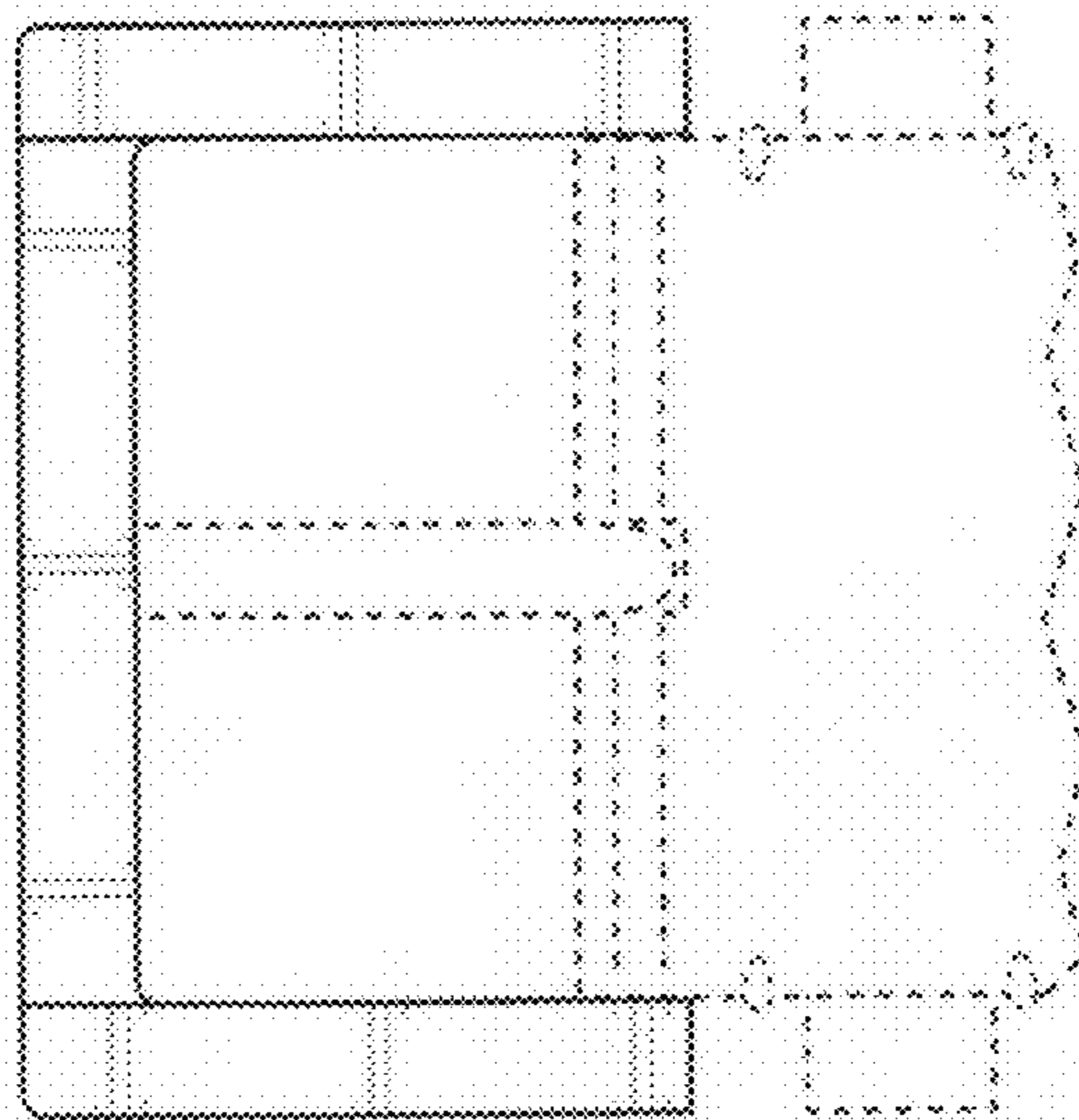


FIG. 7

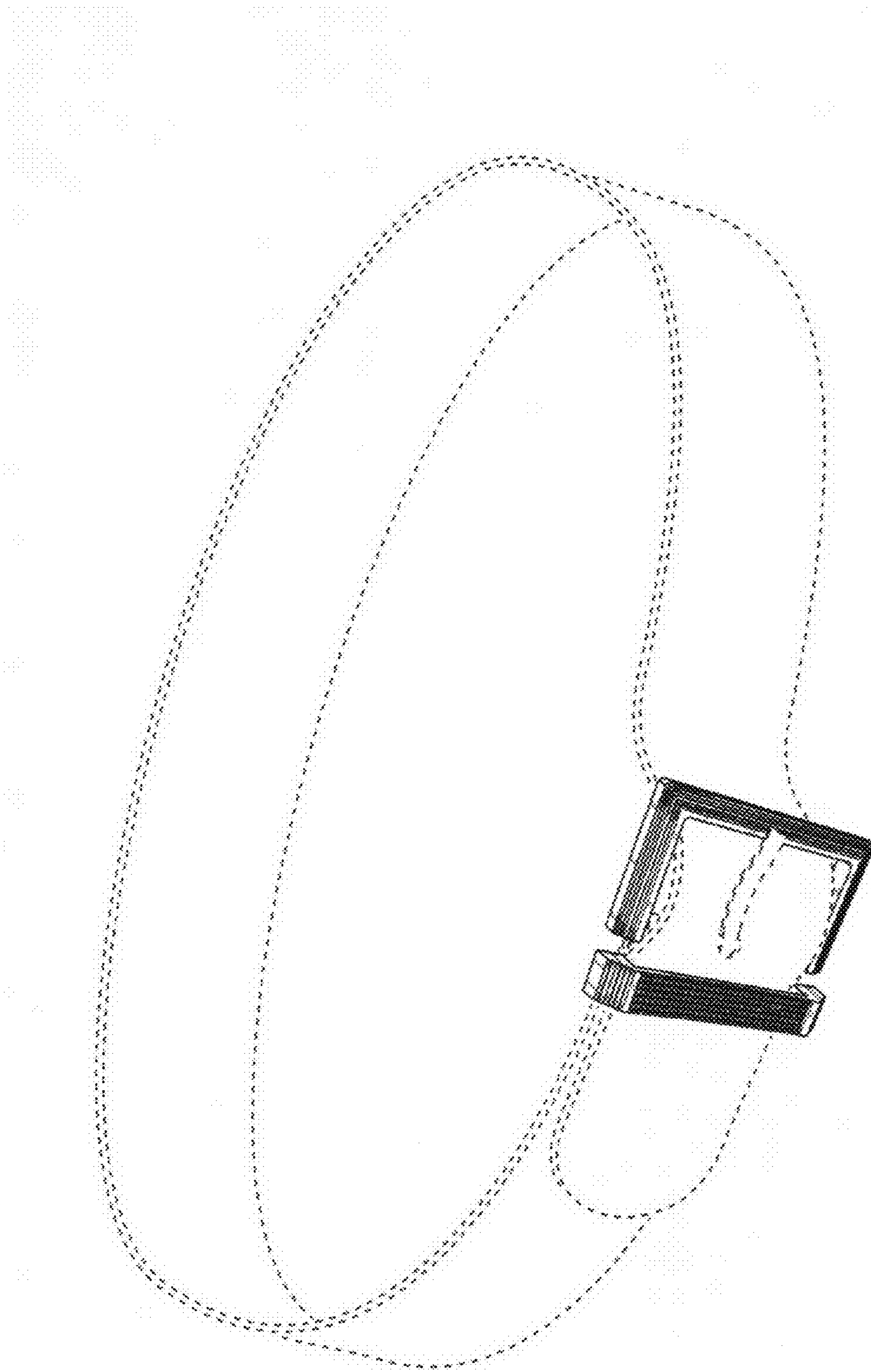


FIG. 8