



US00D691512S

(12) **United States Design Patent**
Mio et al.

(10) **Patent No.:** **US D691,512 S**
(45) **Date of Patent:** **** Oct. 15, 2013**

(54) **SLIDER FOR ZIP FASTENER**

(56) **References Cited**

(71) Applicant: **YKK Corporation**, Tokyo (JP)

U.S. PATENT DOCUMENTS

(72) Inventors: **Nanahiko Mio**, Milan (IT); **Hsu Hsien Hsiang**, Taipei (TW); **Yen Chin Wen**, Taipei (TW)

D608,243 S * 1/2010 Di Girolami D11/221
D610,947 S * 3/2010 Takazawa et al. D11/221
D627,259 S * 11/2010 Miyazaki et al. D11/221
8,122,573 B2 2/2012 Takazawa
D671,863 S * 12/2012 Keyaki et al. D11/221
D671,864 S * 12/2012 Keyaki et al. D11/221

(73) Assignee: **YKK Corporation** (JP)

* cited by examiner

(**) Term: **14 Years**

Primary Examiner — Ralf Seifert

(21) Appl. No.: **29/446,454**

(74) *Attorney, Agent, or Firm* — Kilpatrick Townsend & Stockton LLP

(22) Filed: **Feb. 23, 2013**

(57) **CLAIM**

The ornamental design for a slider for zip fastener, as shown and described.

(30) **Foreign Application Priority Data**

DESCRIPTION

Aug. 24, 2012 (EM) 002092304-0001

FIG. 1 is a perspective view of the front, bottom and left side of a slider for zip fastener showing my (our) new design;

(51) **LOC (9) Cl.** **02-07**

FIG. 2 is a front view thereof;

(52) **U.S. Cl.**

FIG. 3 is a rear view thereof;

USPC **D11/221**

FIG. 4 is a left side view thereof;

(58) **Field of Classification Search**

FIG. 5 is a right side view thereof; and,

USPC D11/200, 201, 221; 24/381–383,
24/385–387, 414–417, 421–422, 427–431,
24/433; 2/265

FIG. 6 is a bottom view thereof, the top plan view being mirror image thereof.

The portions of the article in broken lines are shown for illustrative purposes only and form no part of the claimed design.

See application file for complete search history.

1 Claim, 5 Drawing Sheets

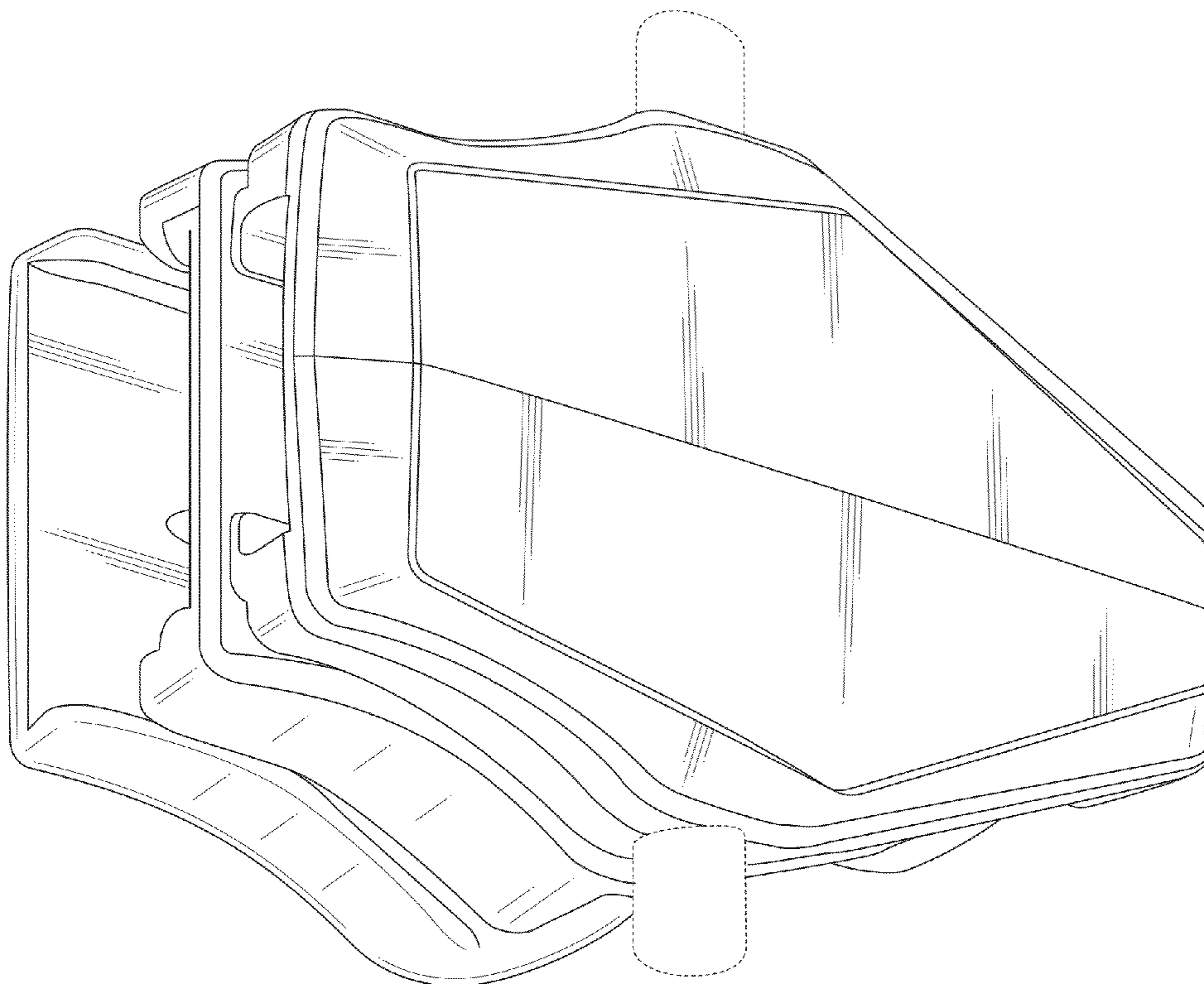


Fig. 1

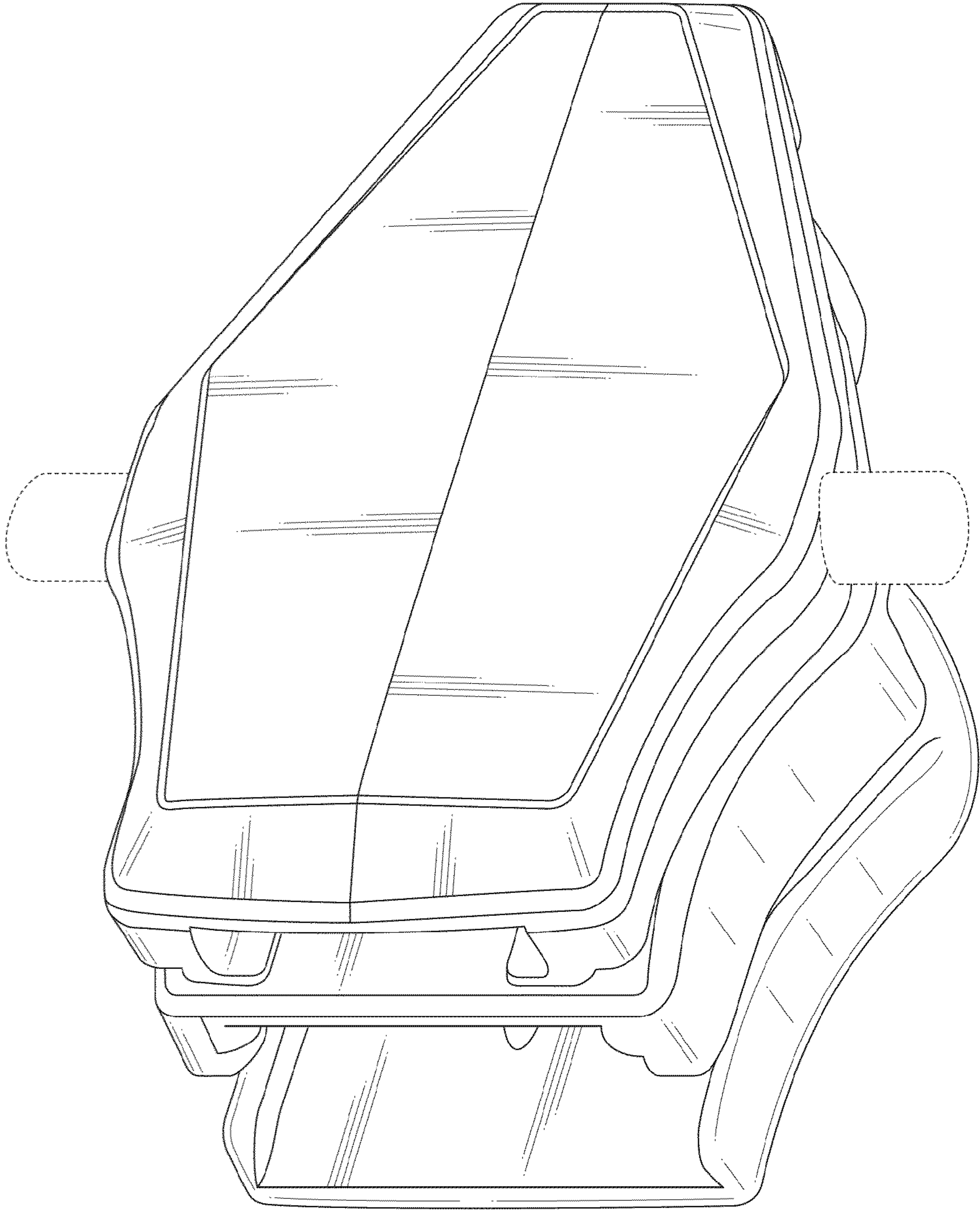


Fig. 2

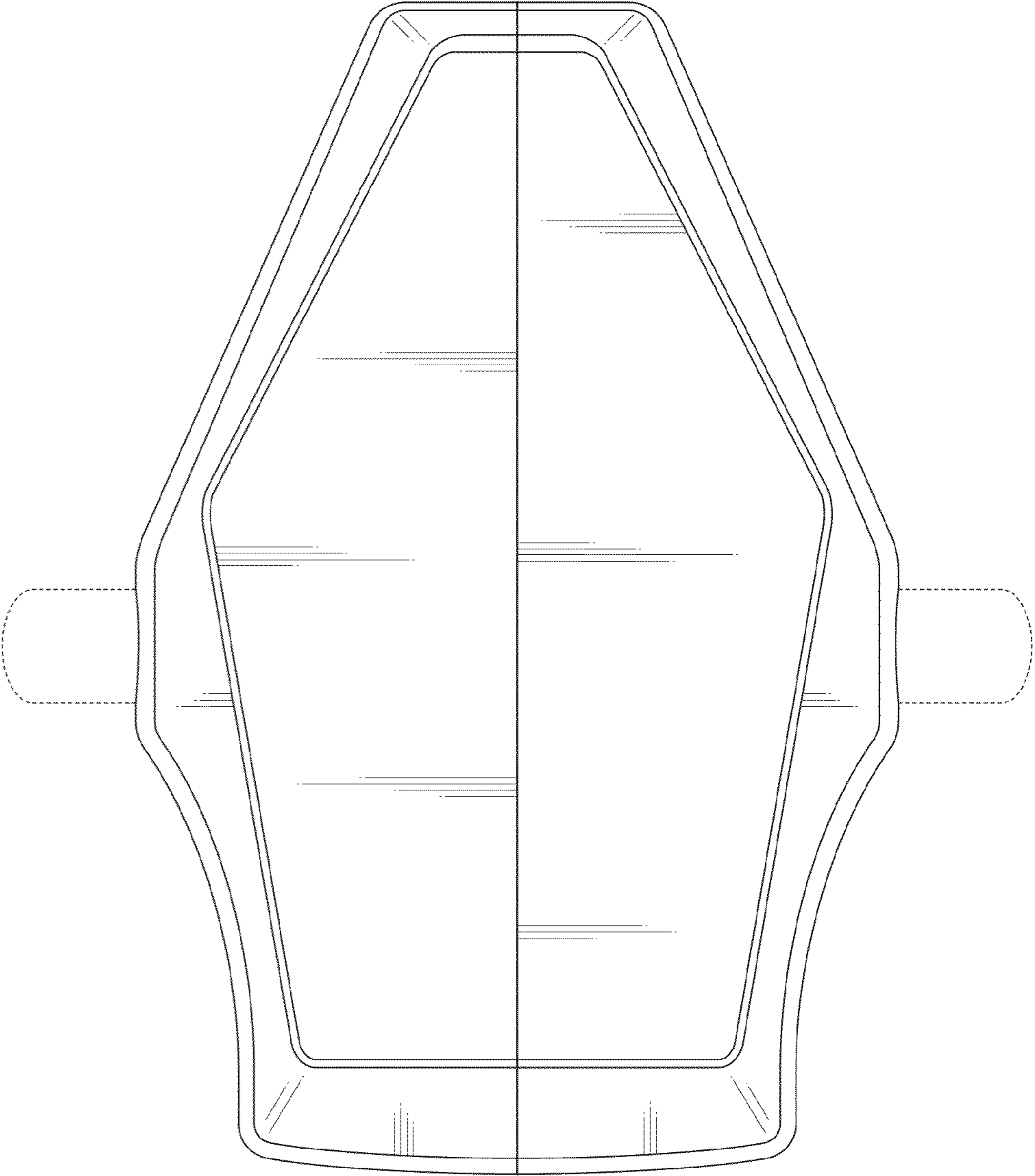


Fig. 3

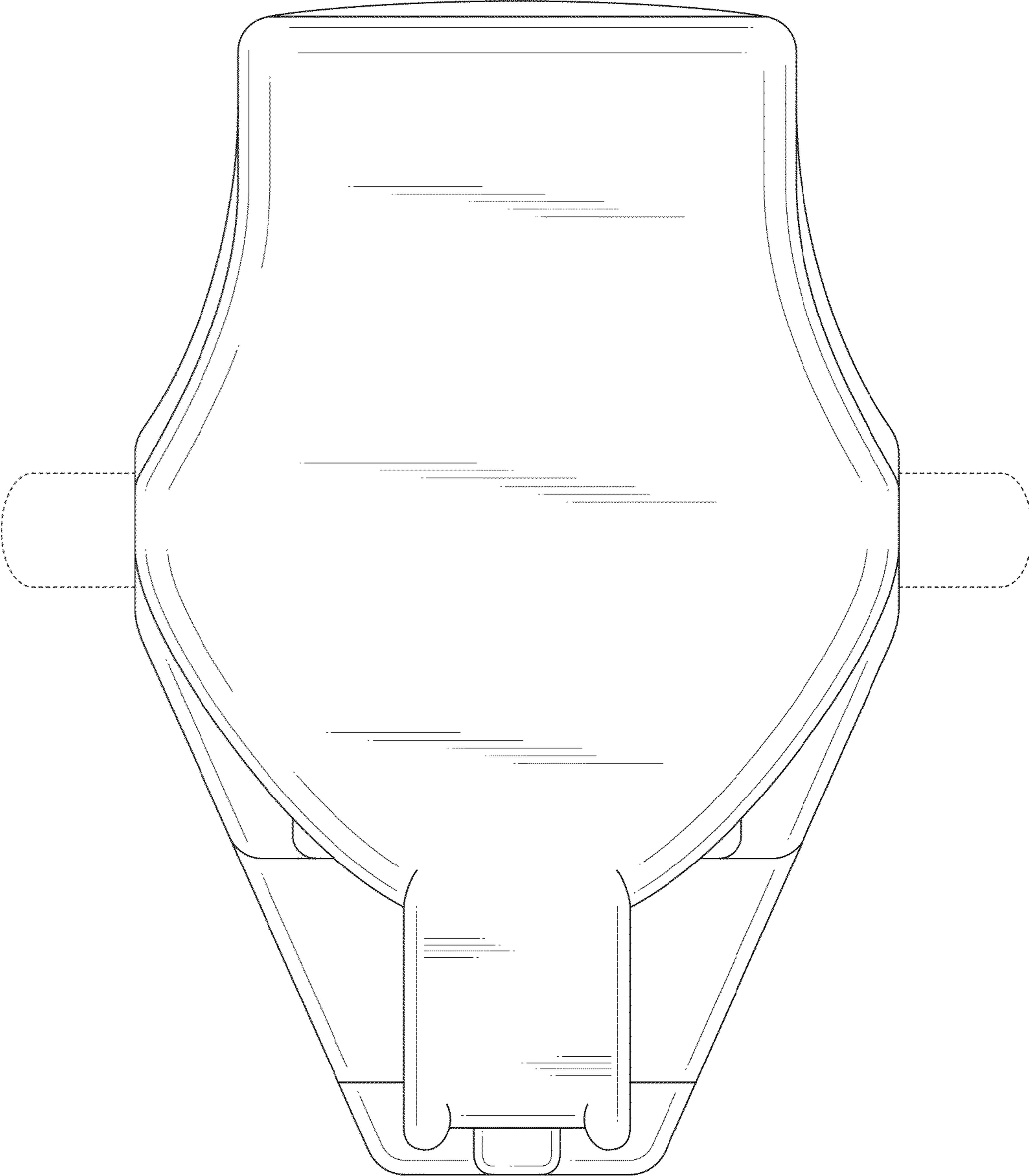


Fig. 5

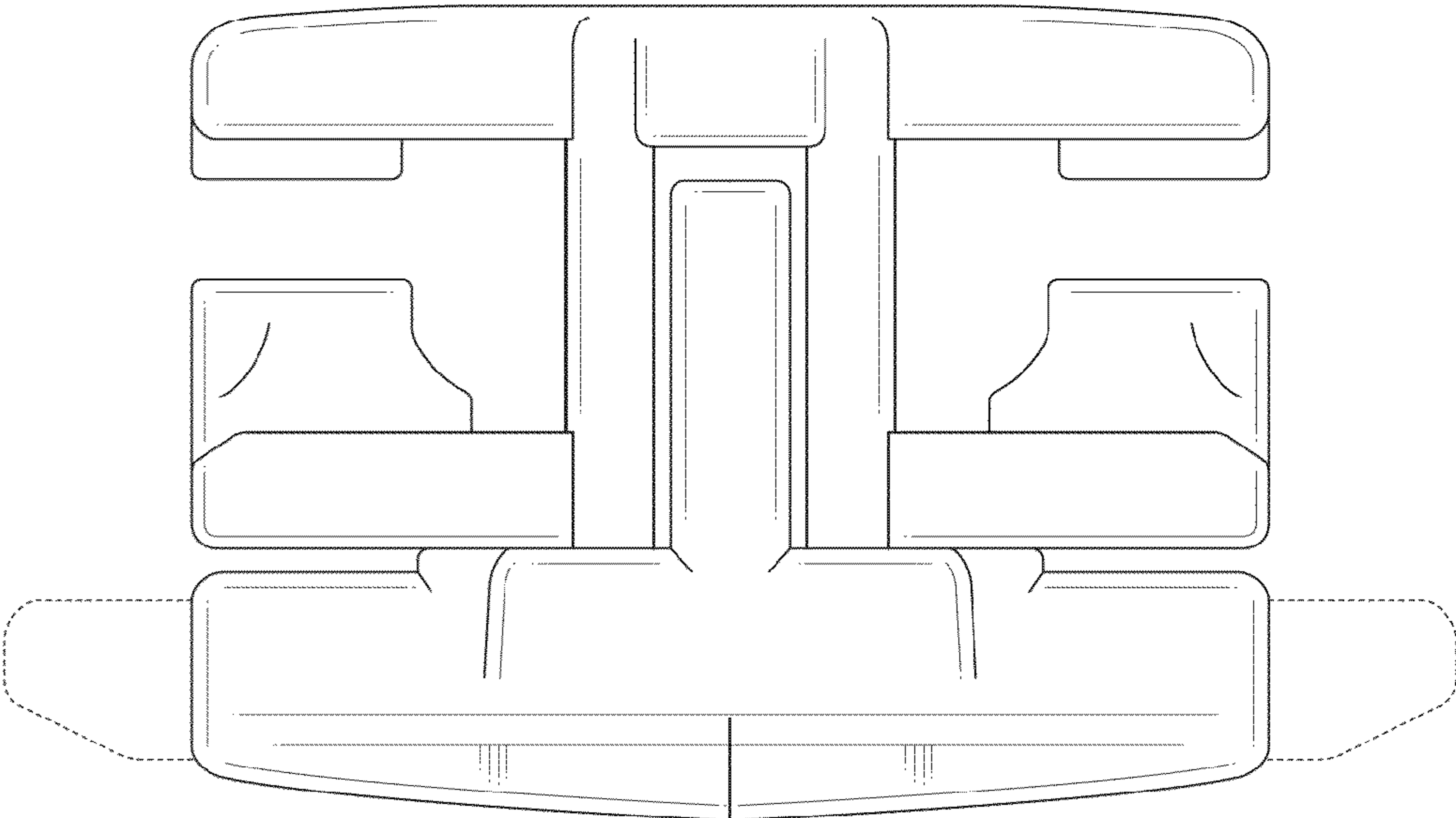


Fig. 4

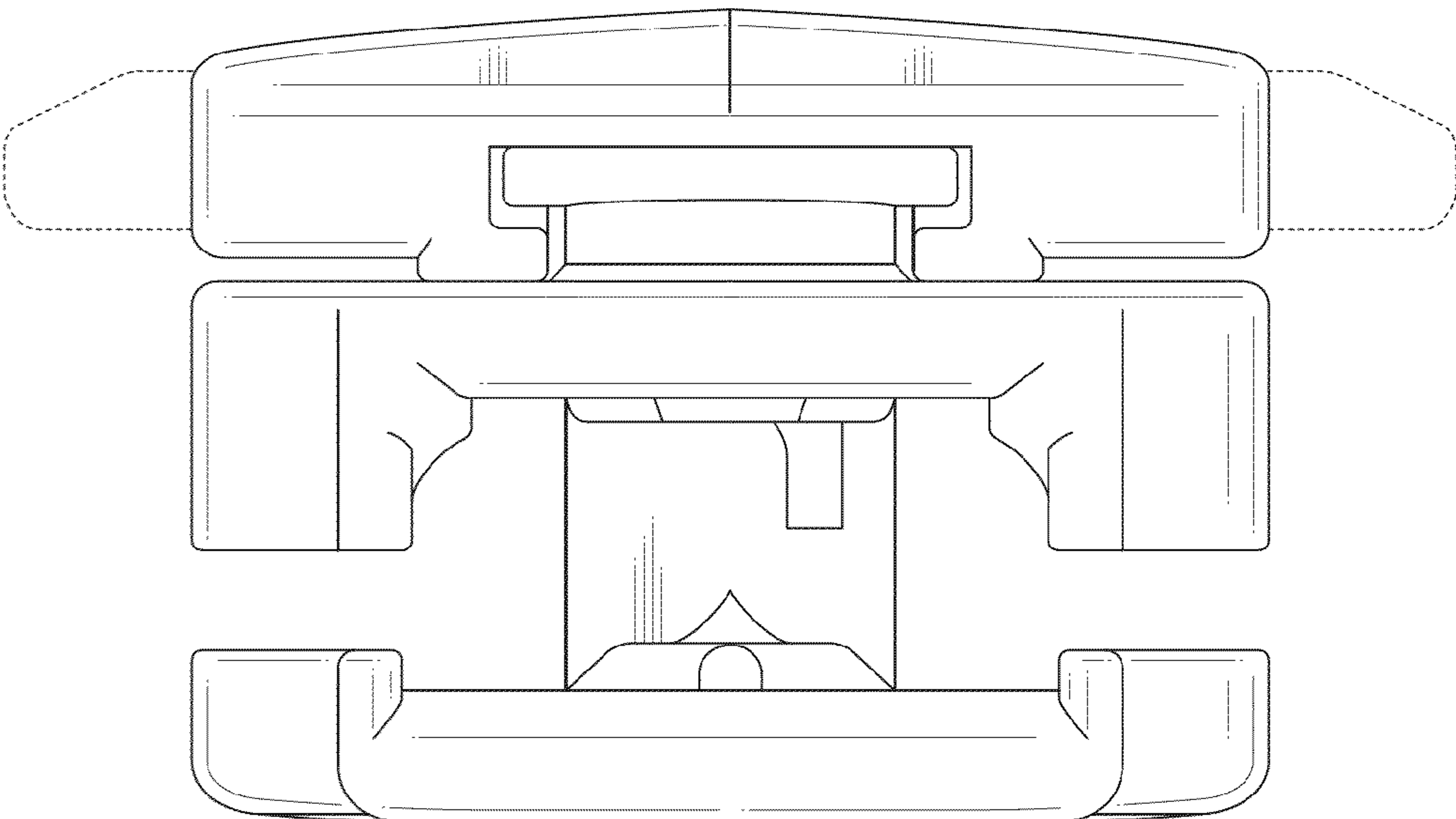


Fig. 6

