

US00D691511S

(12) **United States Design Patent**
Macumber

(10) **Patent No.:** **US D691,511 S**
(45) **Date of Patent:** **** Oct. 15, 2013**

(54) **CHARM**

(71) Applicant: **Michael Macumber**, Delta (CA)

(72) Inventor: **Michael Macumber**, Delta (CA)

(**) Term: **14 Years**

(21) Appl. No.: **29/446,503**

(22) Filed: **Feb. 25, 2013**

(51) **LOC (9) Cl.** **11-03**

(52) **U.S. Cl.**
USPC **D11/96**

(58) **Field of Classification Search**
USPC D11/96, 97, 98, 99, 116, 30, 44,
D11/48, 81, 125, 133, 149, 157, 172, 211,
D11/217, 219, 223, 238, 79, 86, 121, 122,
D11/131, 56, 141, 103, 83, 112; 63/1.11,
63/1.12, 1.13, 1.14, 1.16, 1.18, 13, 14.1,
63/35, 39, 19; D19/34; D99/17, 23, 25,
D99/27, 30; D8/351; 428/3, 27

See application file for complete search history.

(56) **References Cited**

U.S. PATENT DOCUMENTS

D232,319 S *	8/1974	Caputo	D11/86
D251,717 S *	5/1979	Graves	D11/103
D371,983 S *	7/1996	Burman	D11/103
D465,432 S *	11/2002	Henmi	D11/96
D480,010 S *	9/2003	Manning	D11/83
D528,038 S *	9/2006	Cavness	D11/157
D575,925 S *	8/2008	Ivey	D99/17
D580,815 S *	11/2008	Powell	D11/96

D619,039 S *	7/2010	Sandberg	D11/103
D623,979 S *	9/2010	Mogren	D11/96
D646,994 S *	10/2011	Kim et al.	D11/81
D651,116 S *	12/2011	Eddlemon	D11/81
D656,429 S *	3/2012	Cadigan	D11/96

OTHER PUBLICATIONS

Photos of jewelry components, available prior to Aug. 23, 2012.

* cited by examiner

Primary Examiner — T. Chase Nelson

Assistant Examiner — Mark Cavanna

(74) *Attorney, Agent, or Firm* — Oyen Wiggs Green & Mutala LLP

(57) **CLAIM**

The ornamental design for a charm, as shown and described.

DESCRIPTION

FIG. 1 is a perspective view of the charm with the components of the charm assembled;

FIG. 2 is an exploded perspective view of the charm showing how the components of the charm may come apart;

FIG. 3 is a upper plan view of the charm, the lower plan view being a mirror image thereof;

FIG. 4 is a top side view of the charm;

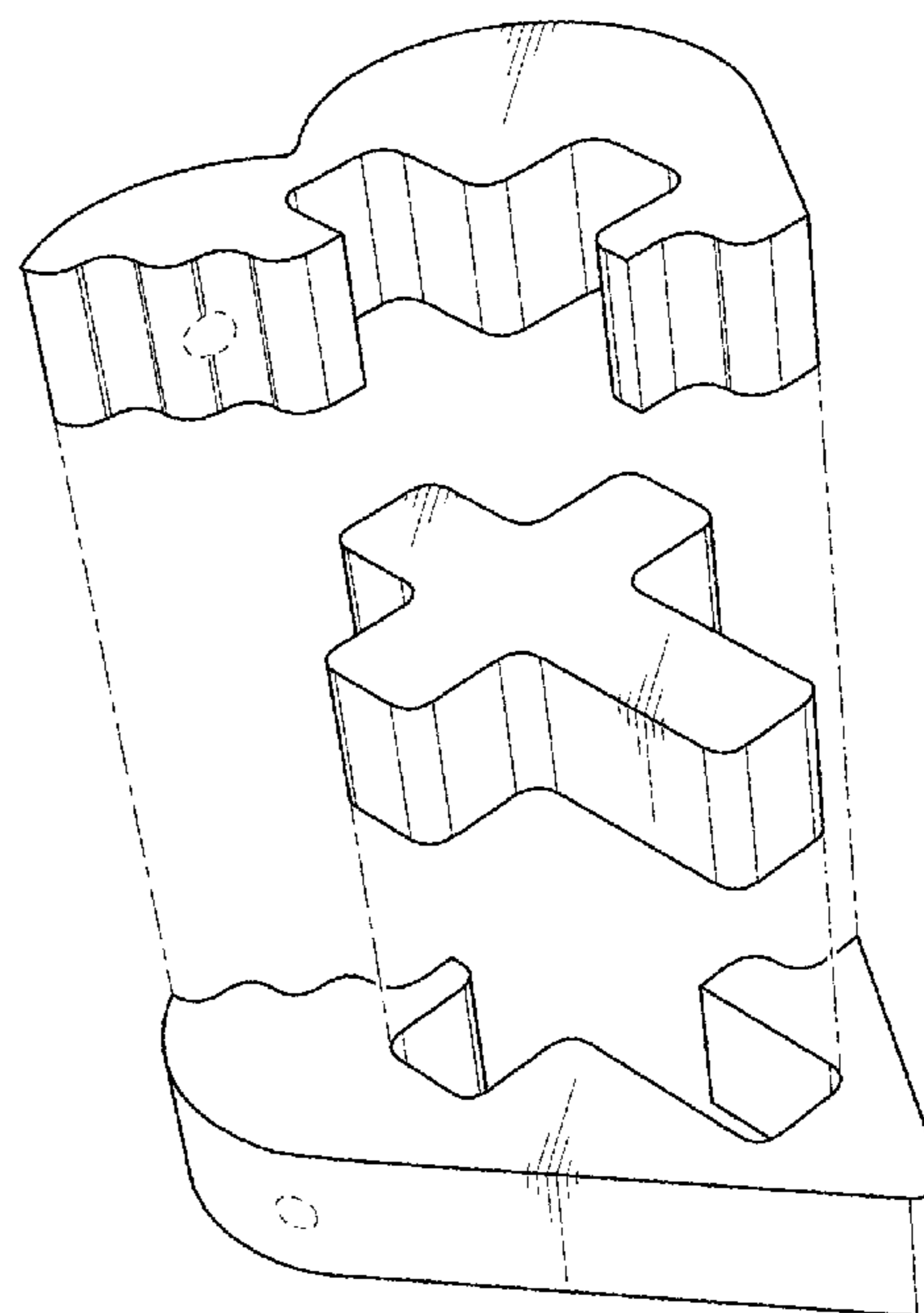
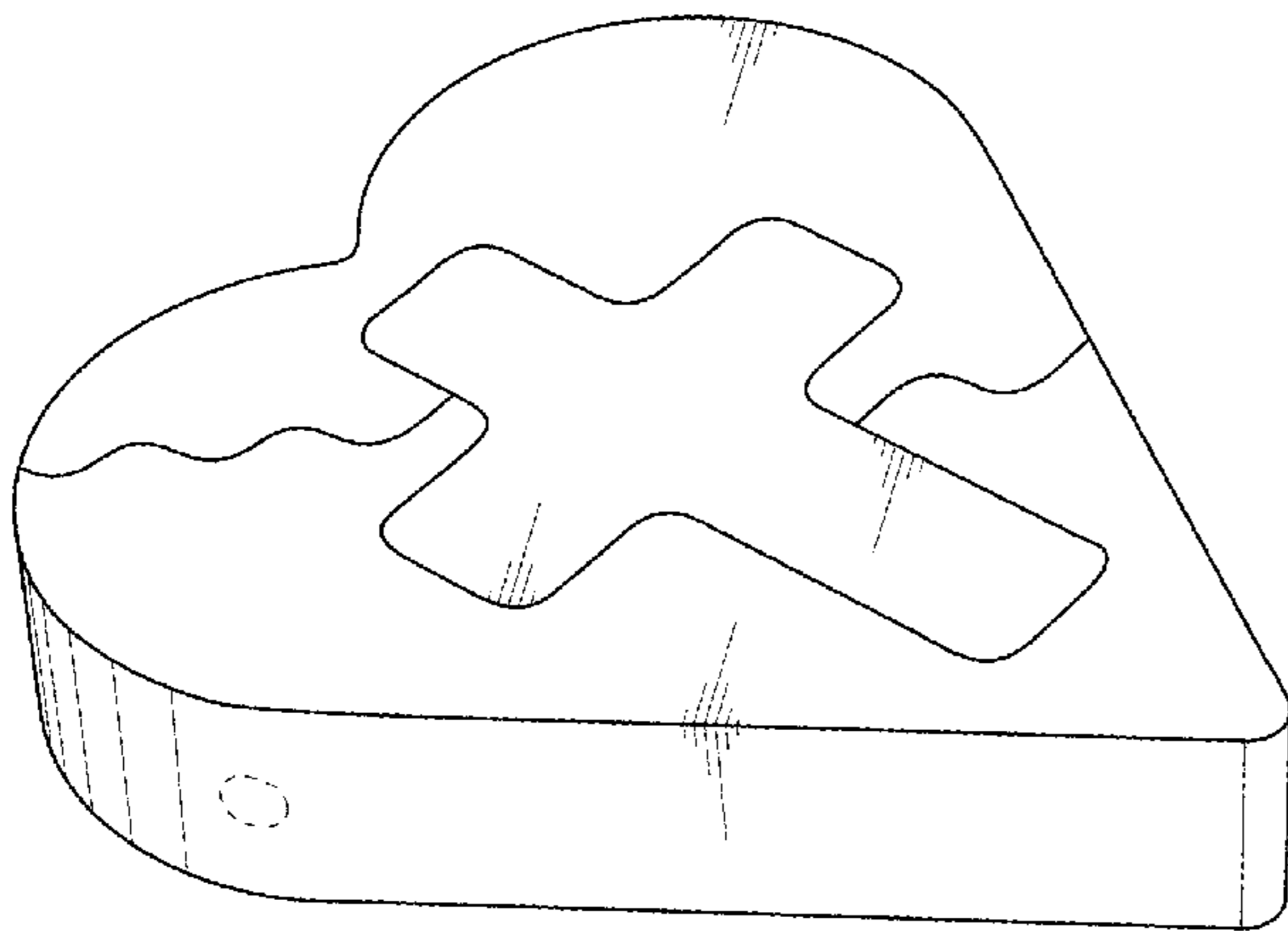
FIG. 5 is a bottom side view of the charm;

FIG. 6 is a left side view of the charm; and,

FIG. 7 is a right side view of the charm.

The portions of the charm shown in dashed lines are shown for illustrative purposes only and do not form part of the design.

1 Claim, 3 Drawing Sheets



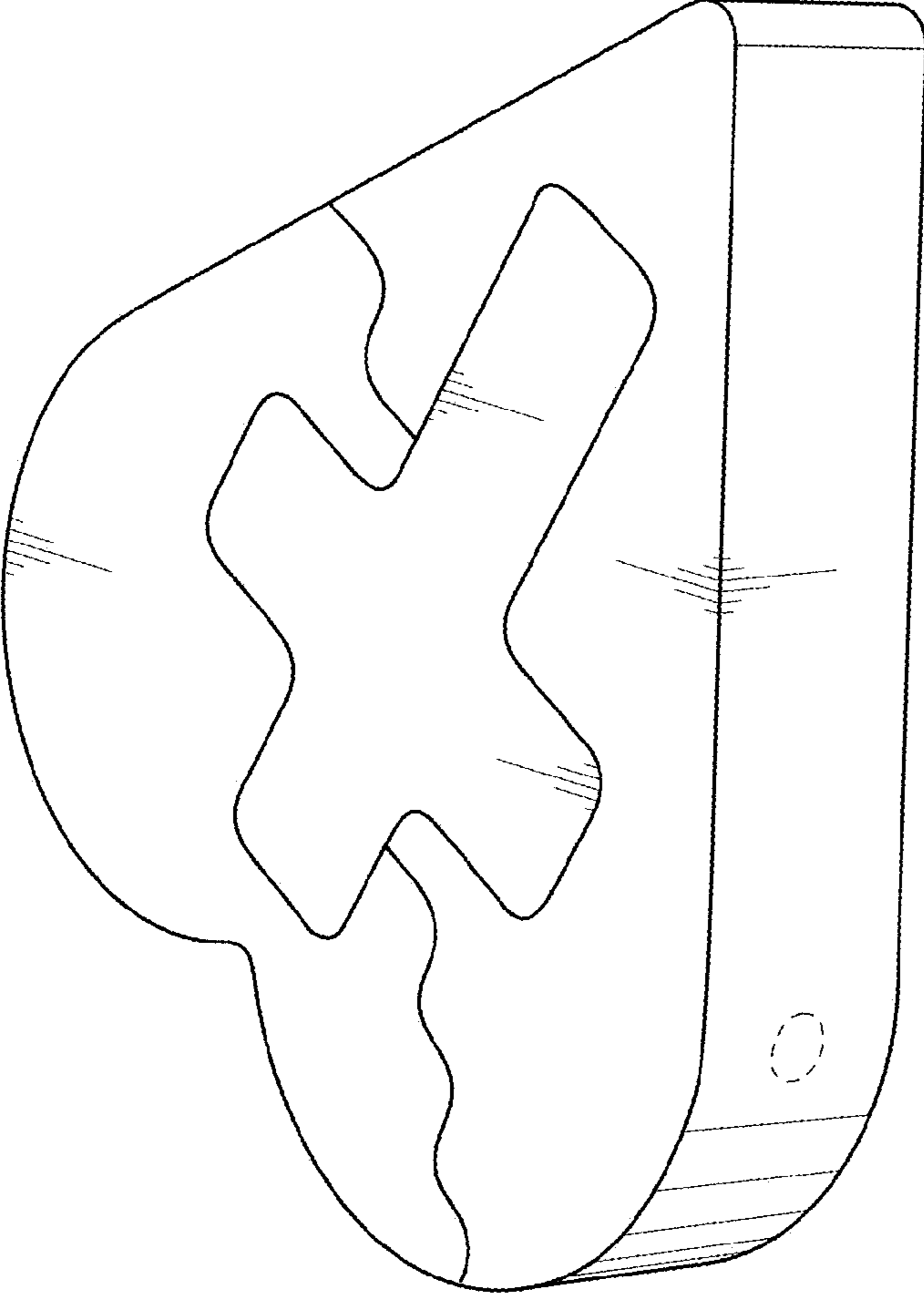


FIG. 1

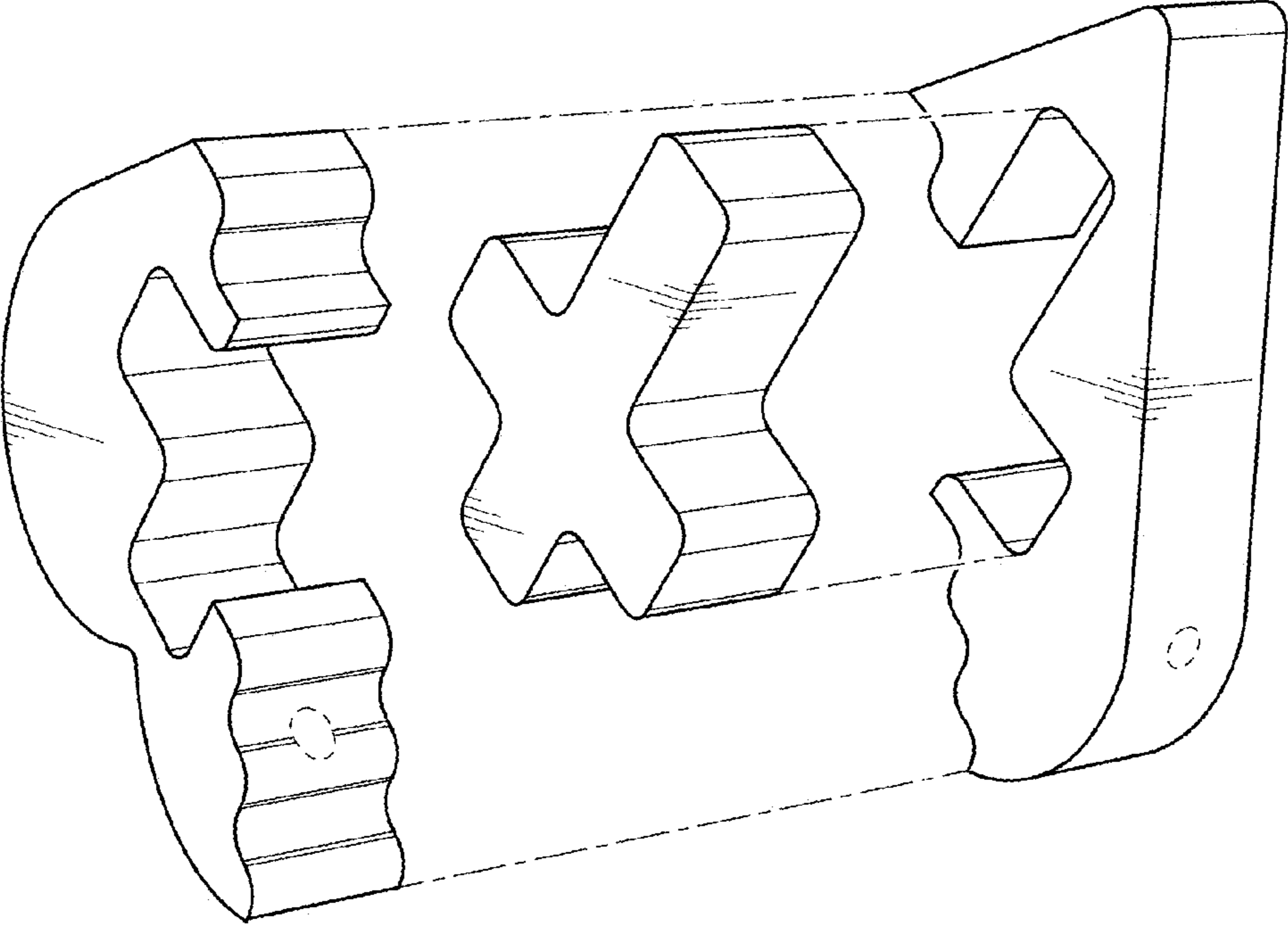


FIG. 2

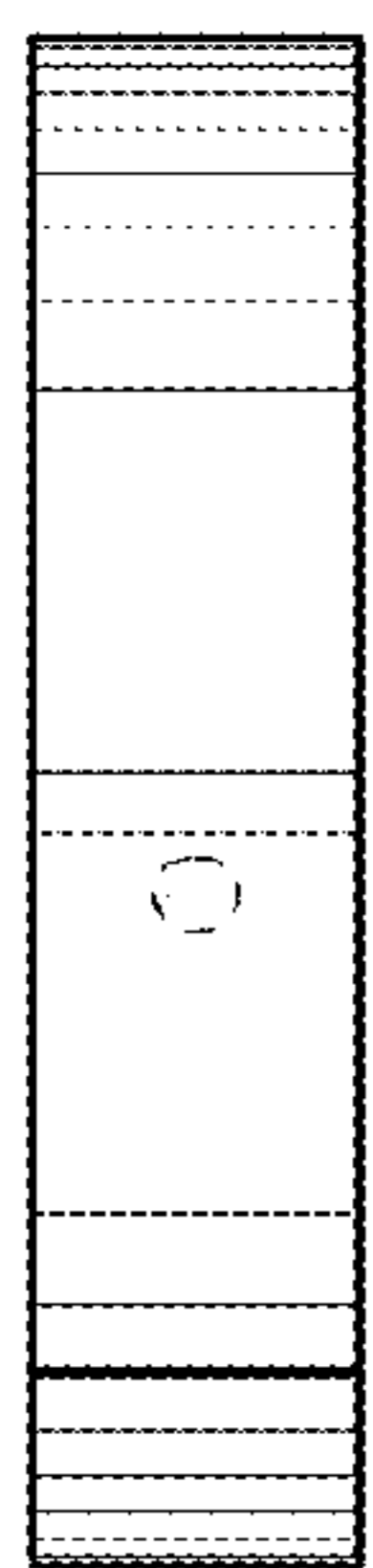


FIG. 4

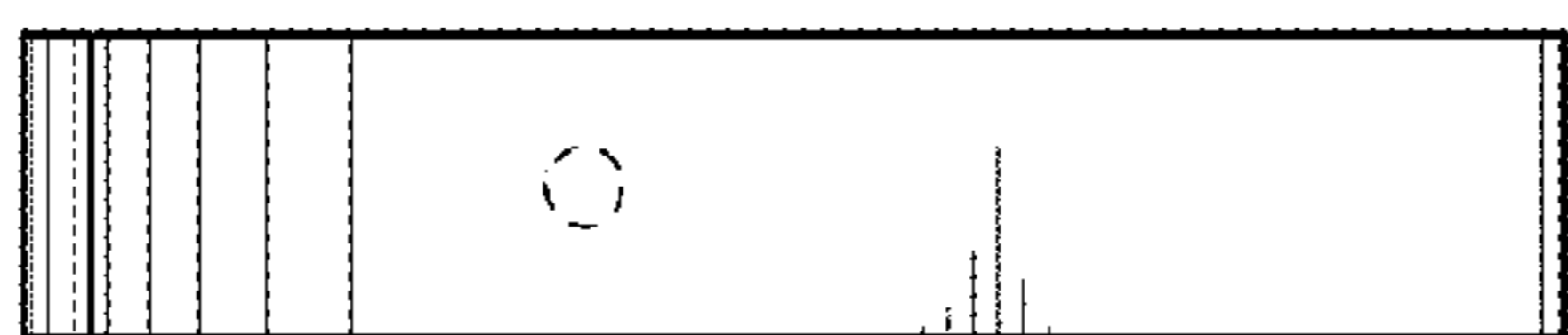


FIG. 6

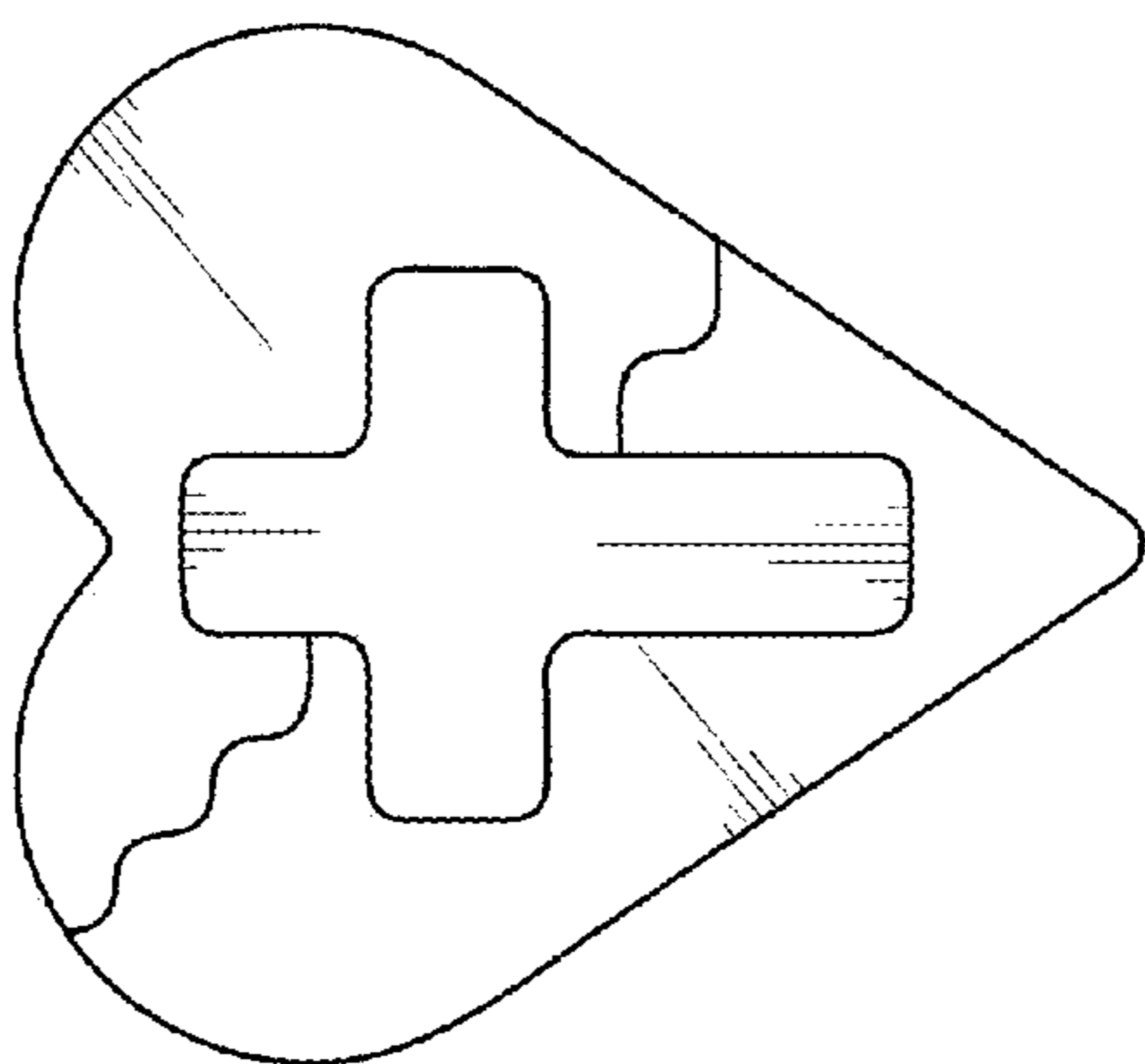


FIG. 3

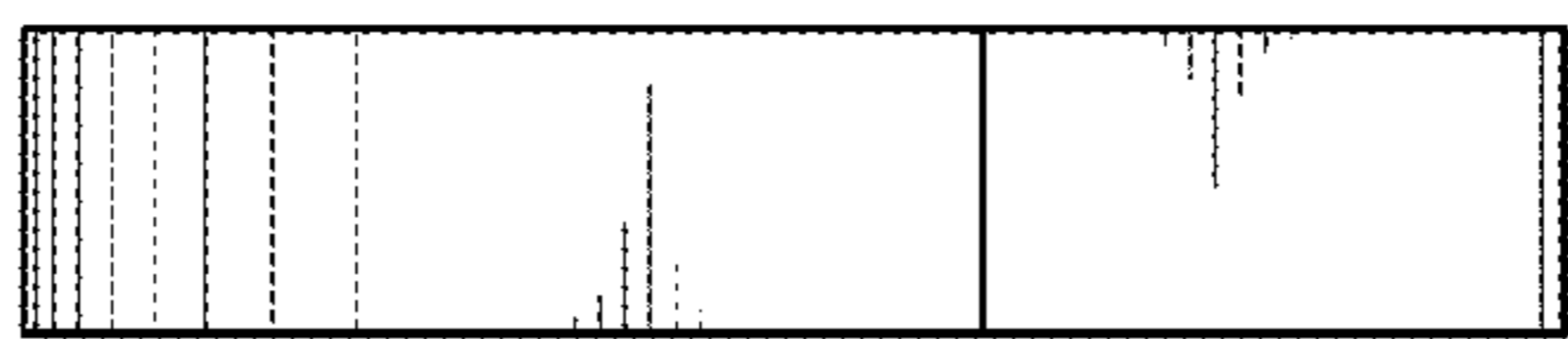


FIG. 7

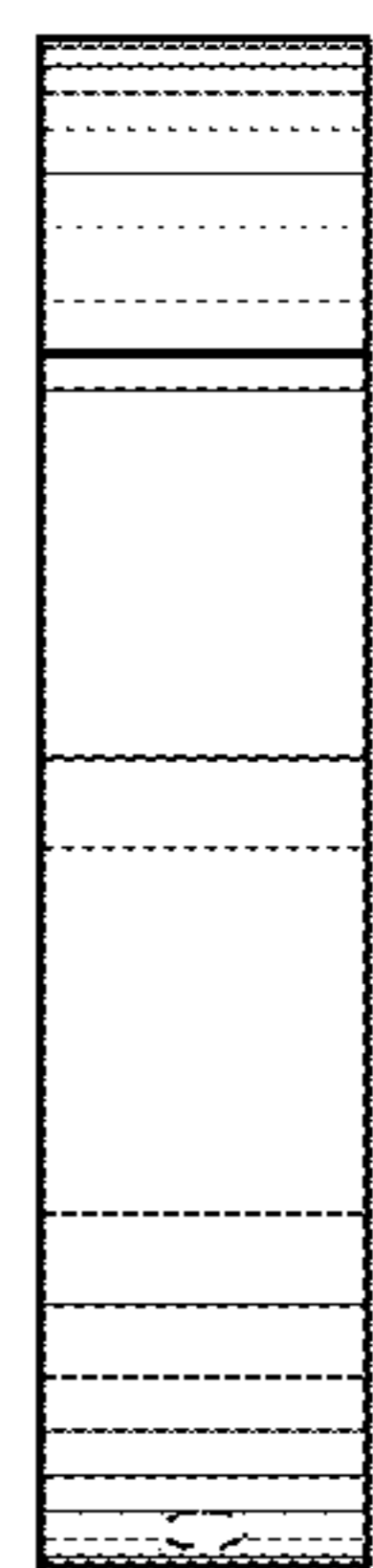


FIG. 5