

US00D691510S

(12) **United States Design Patent**
Ho

(10) **Patent No.:** **US D691,510 S**

(45) **Date of Patent:** **** Oct. 15, 2013**

(54) **JEWELLERY SETTING**

(75) Inventor: **Chi Kai Nelson Ho**, Hong Kong (HK)

(73) Assignee: **Nelson Jewellery Arts Company Ltd.**,
Hong Kong (HK)

(**) Term: **14 Years**

(21) Appl. No.: **29/423,182**

(22) Filed: **May 29, 2012**

(51) **LOC (9) Cl.** **11-01**

(52) **U.S. Cl.**

USPC **D11/92**; D11/56

(58) **Field of Classification Search**

USPC D11/1, 2, 86-92, 34-43, 79, 80, 222,
D11/47, 75, 56; 63/12, 13, 14, 18, 26-28,
63/29.1, 29.2, 31, 32, 1.11

See application file for complete search history.

D384,593 S *	10/1997	Katz	D11/90
D386,713 S *	11/1997	Frankel et al.	D11/91
D394,825 S *	6/1998	Brimont	D11/81
D395,256 S *	6/1998	Udco	D11/56
D414,132 S *	9/1999	Ambar	D11/30
D455,975 S *	4/2002	Deorah	D11/40
6,378,335 B1 *	4/2002	Siebenberg	63/32
D471,838 S *	3/2003	Chia et al.	D11/93
D474,992 S *	5/2003	Deorah	D11/40
D483,685 S *	12/2003	Pachauer	D11/56
D537,378 S *	2/2007	Kothari	D11/89
D564,935 S *	3/2008	Steshik	D11/91
D583,278 S *	12/2008	Steshik	D11/91
D641,277 S *	7/2011	Sapp	D11/34
D667,335 S *	9/2012	Kothari	D11/91

* cited by examiner

Primary Examiner — Jennifer Rivard

Assistant Examiner — Melanie Pellegrini

(57) **CLAIM**

The ornamental design for a jewellery setting, as shown and described.

DESCRIPTION

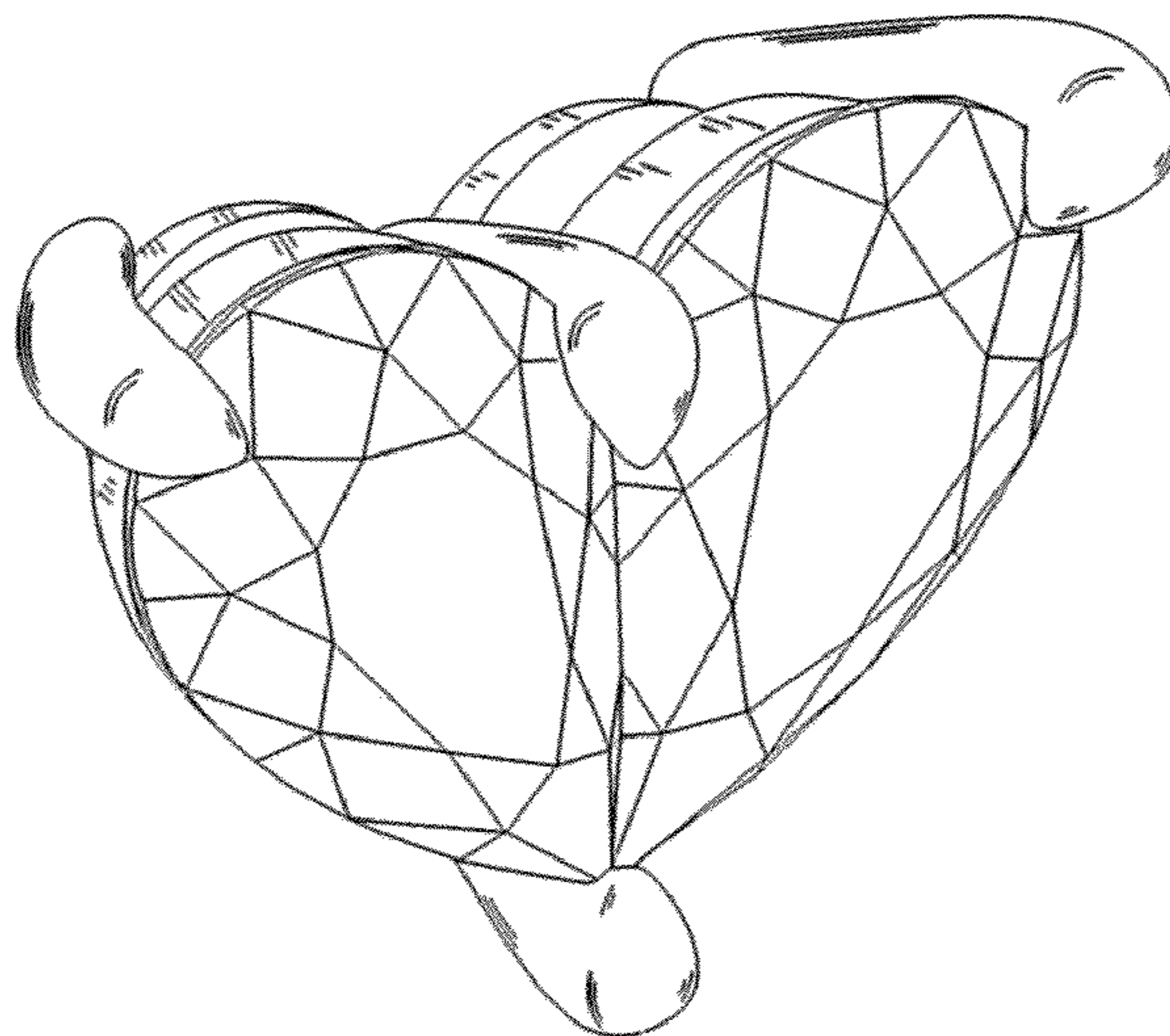
FIG. 1 is a front view of a jewellery setting of my new design; FIG. 2 is a rear view of the jewellery setting thereof; FIG. 3 is a top view of the jewellery setting thereof; FIG. 4 is a bottom view of the jewellery setting thereof; FIG. 5 is a left view of the jewellery setting thereof; FIG. 6 is a right view of the jewellery setting thereof; and, FIG. 7 is a perspective view of the jewellery setting thereof.

1 Claim, 7 Drawing Sheets

(56) **References Cited**

U.S. PATENT DOCUMENTS

D165,468 S *	12/1951	Katz	D11/56
D209,771 S *	1/1968	Saltzman	D11/90
D314,528 S *	2/1991	Chia et al.	D11/93
D331,726 S *	12/1992	Chia et al.	D11/93
D339,311 S *	9/1993	Ambar	D11/81
D369,988 S *	5/1996	Jacoby	D11/56
D373,551 S *	9/1996	Udco	D11/90
D381,286 S *	7/1997	Udco	D11/81



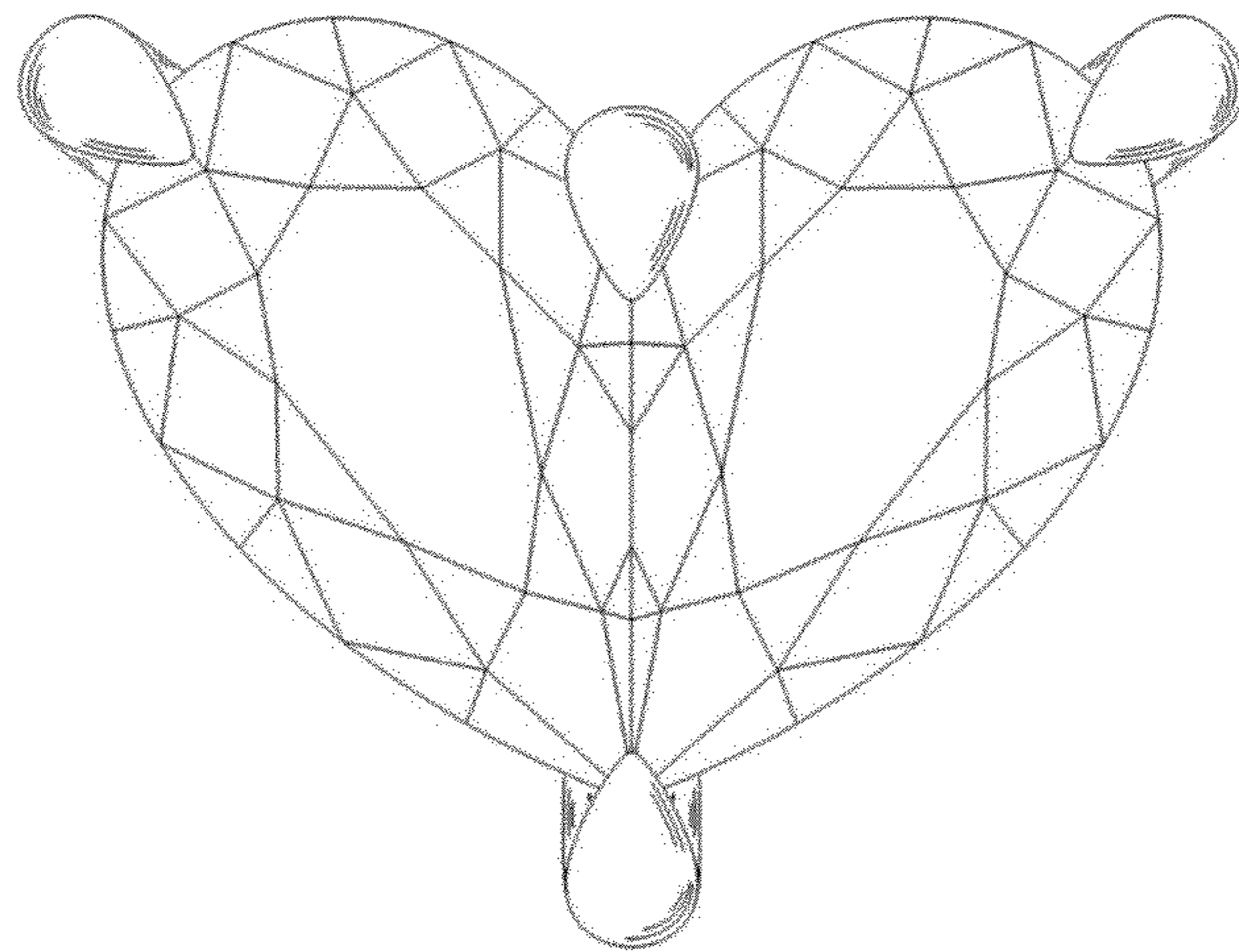


Fig. 1

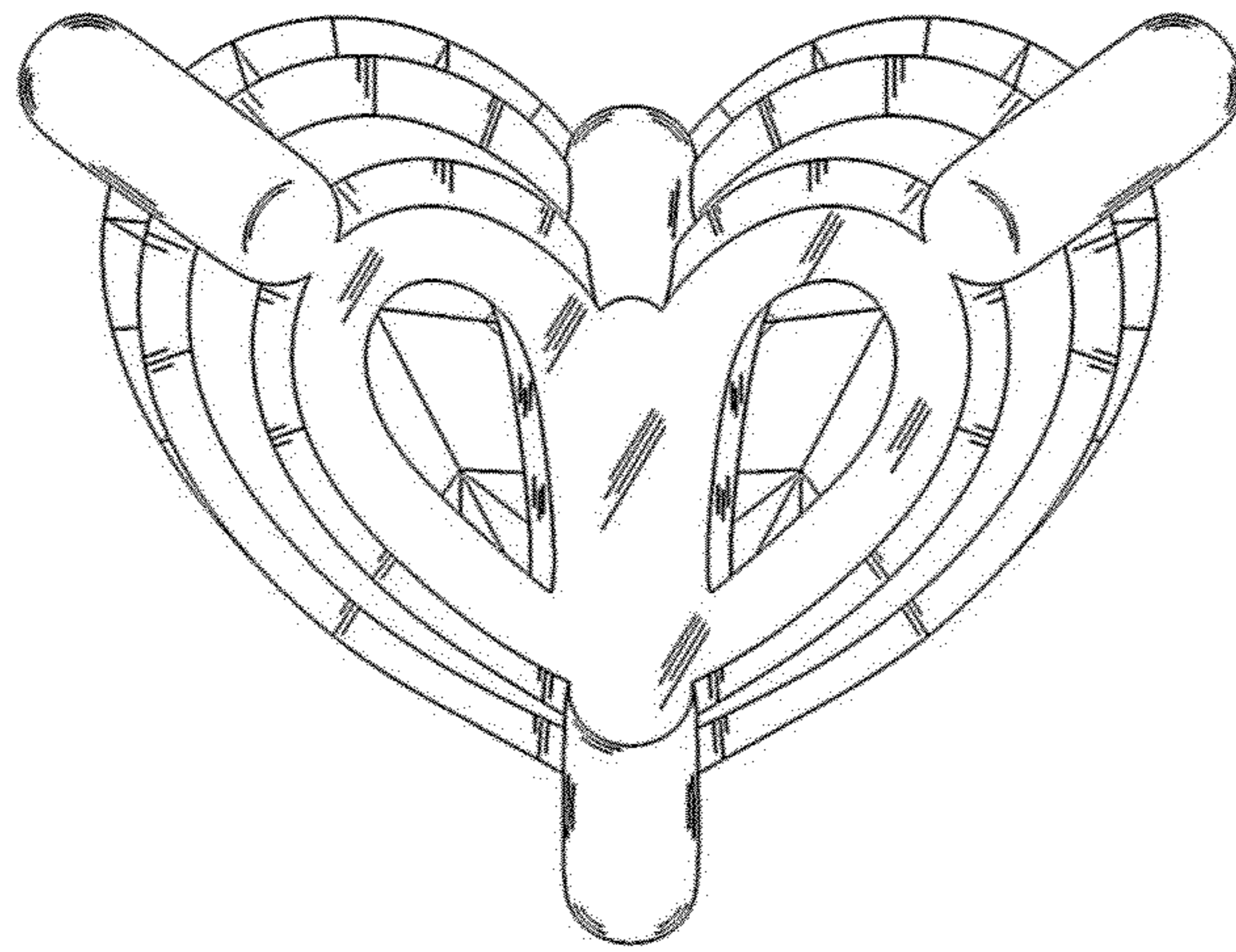


Fig. 2

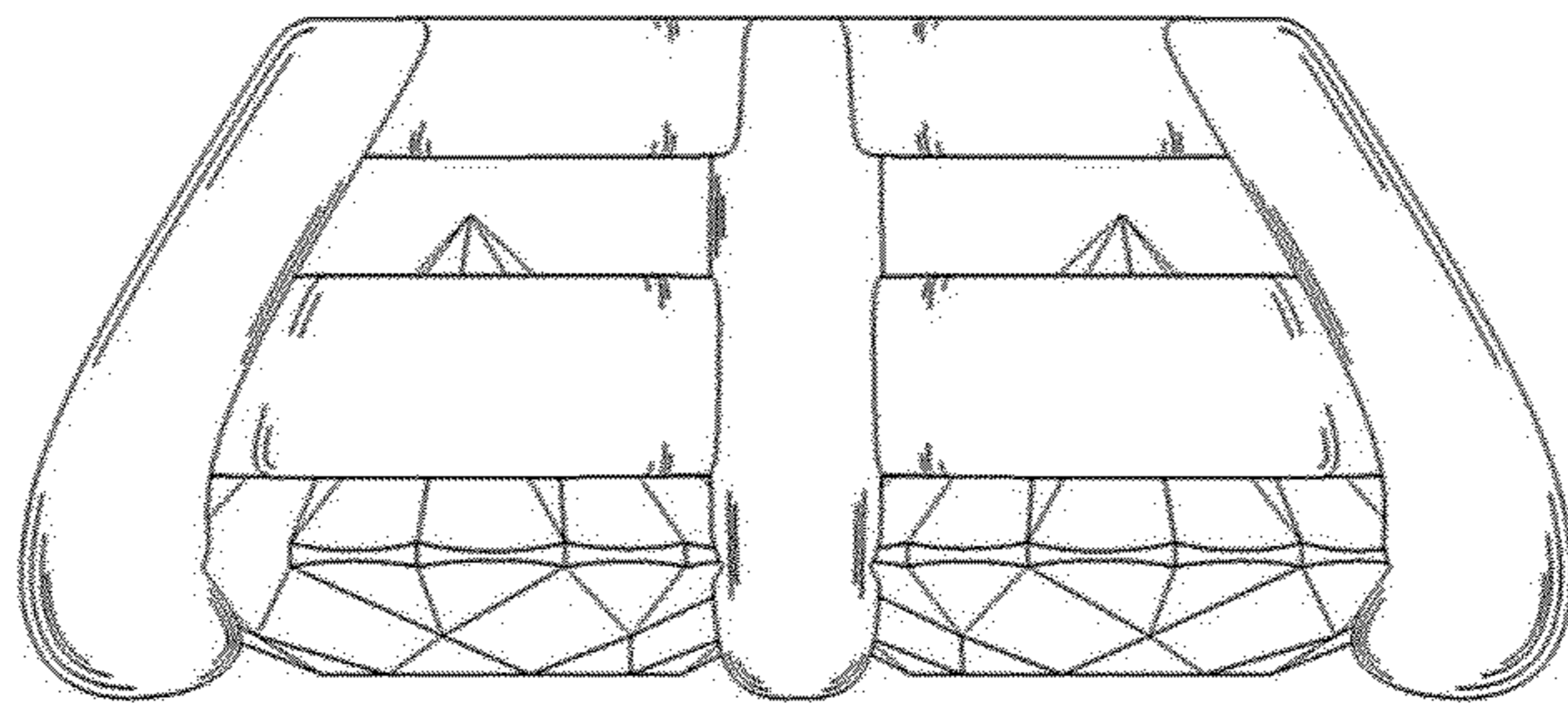


Fig. 3

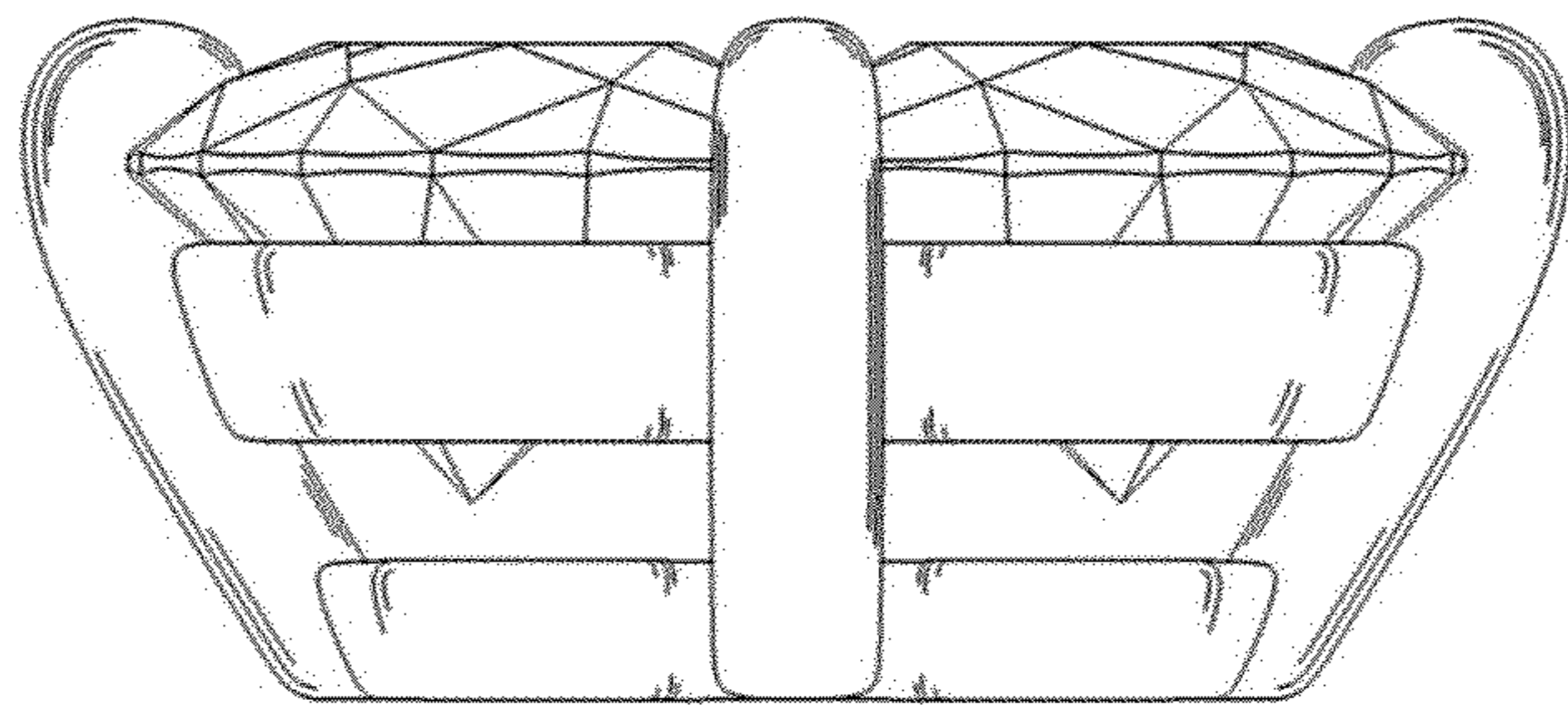


Fig. 4

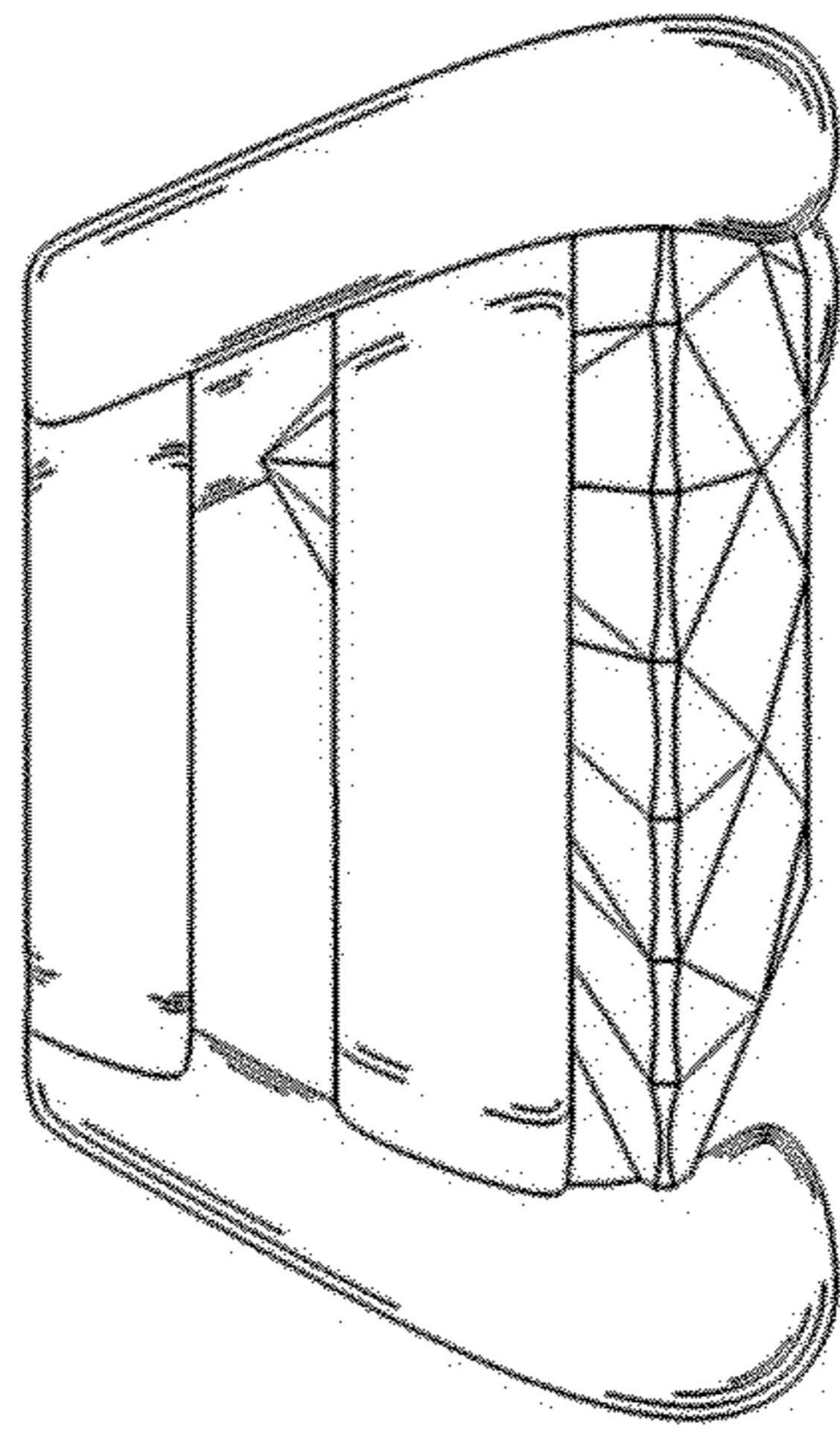


Fig. 5

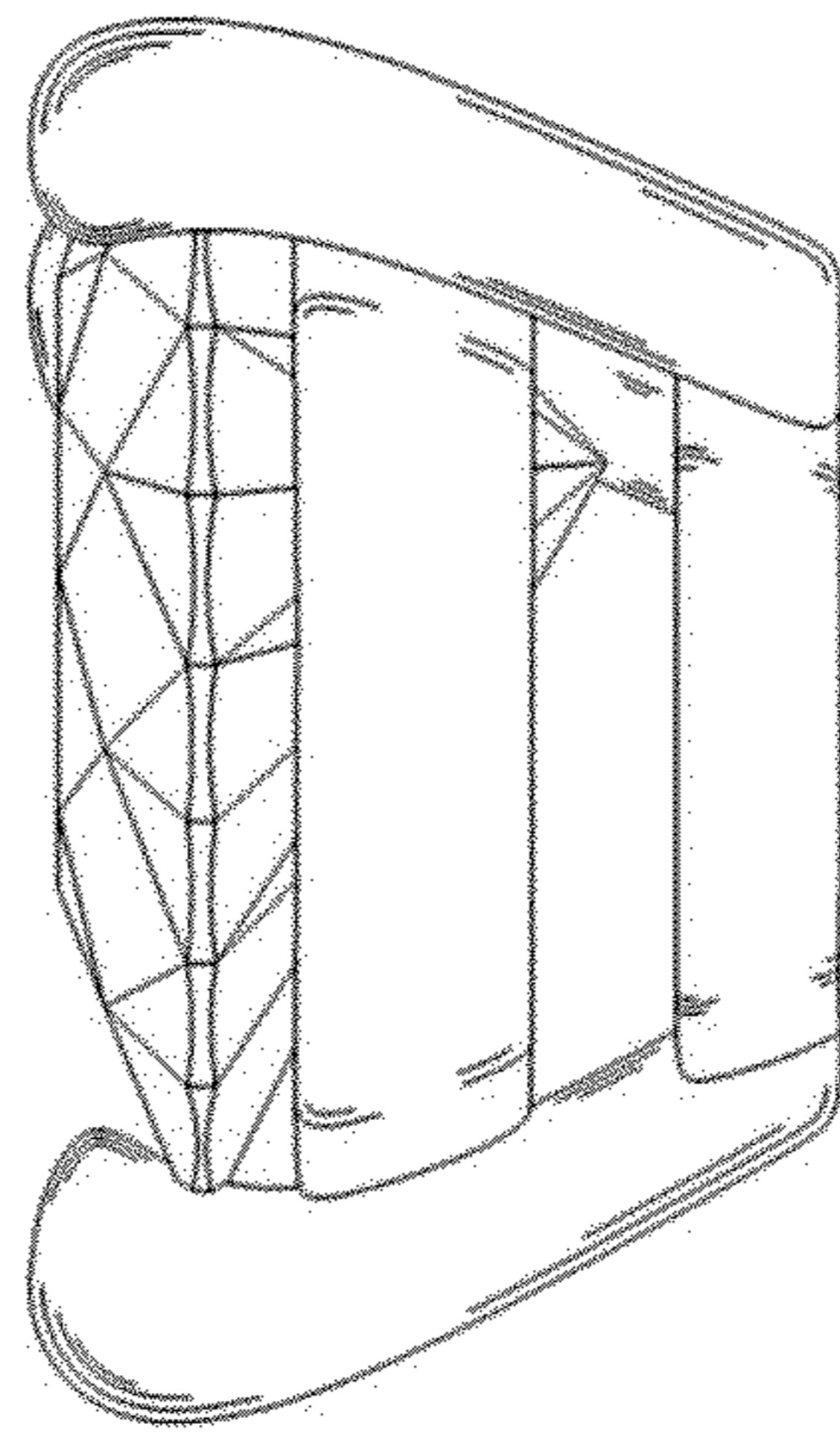


Fig. 6

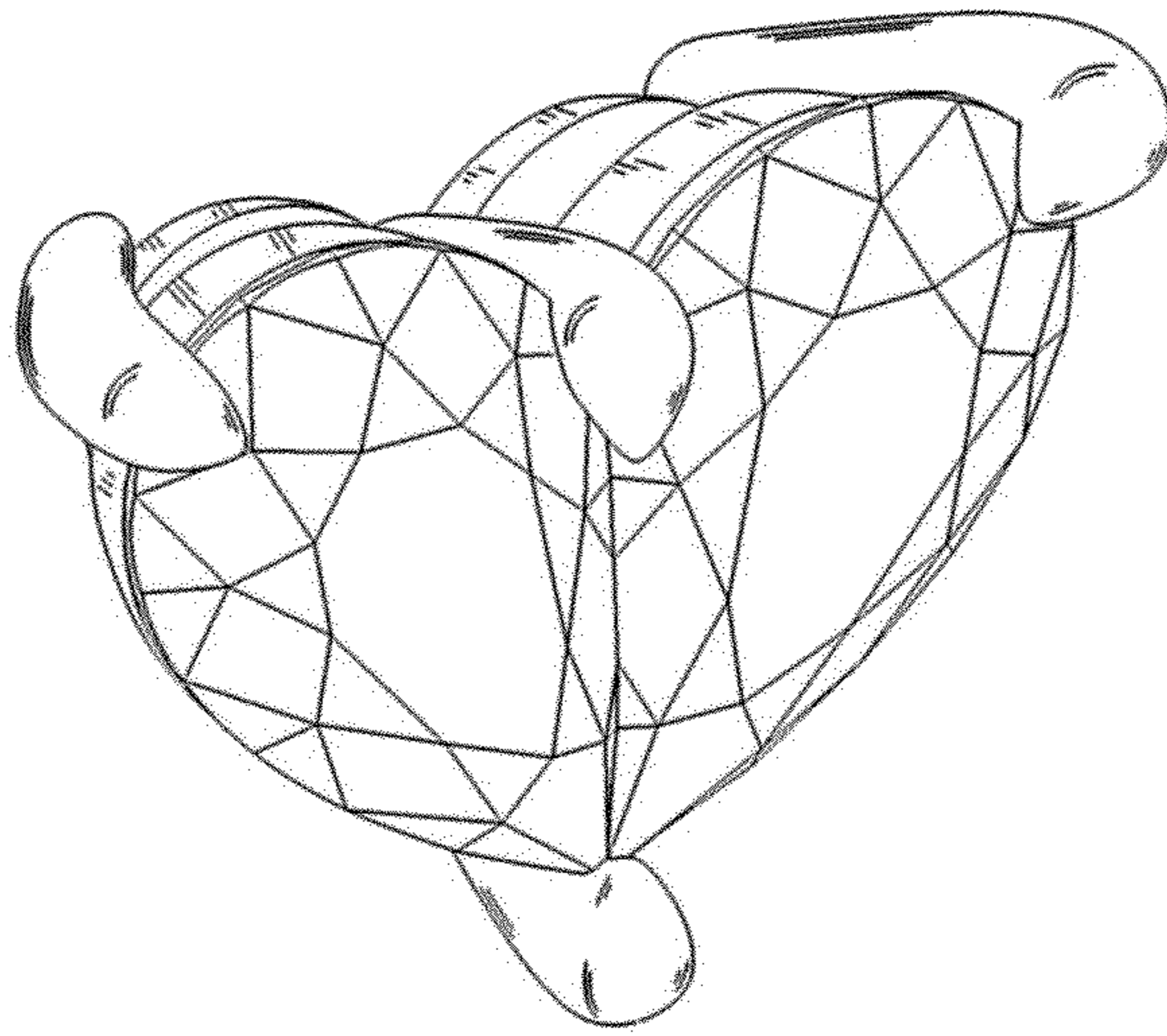


Fig. 7