

US00D691507S

(12) **United States Design Patent**
Stanev et al.

(10) **Patent No.:** **US D691,507 S**

(45) **Date of Patent:** **** Oct. 15, 2013**

(54) **CHAIN TRANSMISSION RING**

(71) Applicants: **Stefan Stanev**, Santa Monica, CA (US);
Sviatlana Novikava, Los Angeles, CA
(US)

(72) Inventors: **Stefan Stanev**, Santa Monica, CA (US);
Sviatlana Novikava, Los Angeles, CA
(US)

(**) Term: **14 Years**

(21) Appl. No.: **29/436,659**

(22) Filed: **Nov. 8, 2012**

(51) **LOC (9) Cl.** **11-01**

(52) **U.S. Cl.**
USPC **D11/26**

(58) **Field of Classification Search**
USPC D11/26-39, 3, 79, 81; 63/15, 15.1-15.4,
63/15.45, 15.5, 15.6, 15.65, 15.7, 26-28
See application file for complete search history.

(56) **References Cited**

U.S. PATENT DOCUMENTS

D412,459 S * 8/1999 Collins D11/34
D552,750 S * 10/2007 Gromosaik et al. D11/26

D563,257 S * 3/2008 Schumacher D11/26
D596,521 S * 7/2009 Fuchs D11/34
D596,522 S * 7/2009 Fuchs D11/34
D639,199 S * 6/2011 Liberman et al. D11/26
D644,140 S * 8/2011 Bulgari D11/34
2012/0090356 A1* 4/2012 Liberman et al. 63/3

* cited by examiner

Primary Examiner — Jennifer Rivard
Assistant Examiner — Melanie Pellegrini

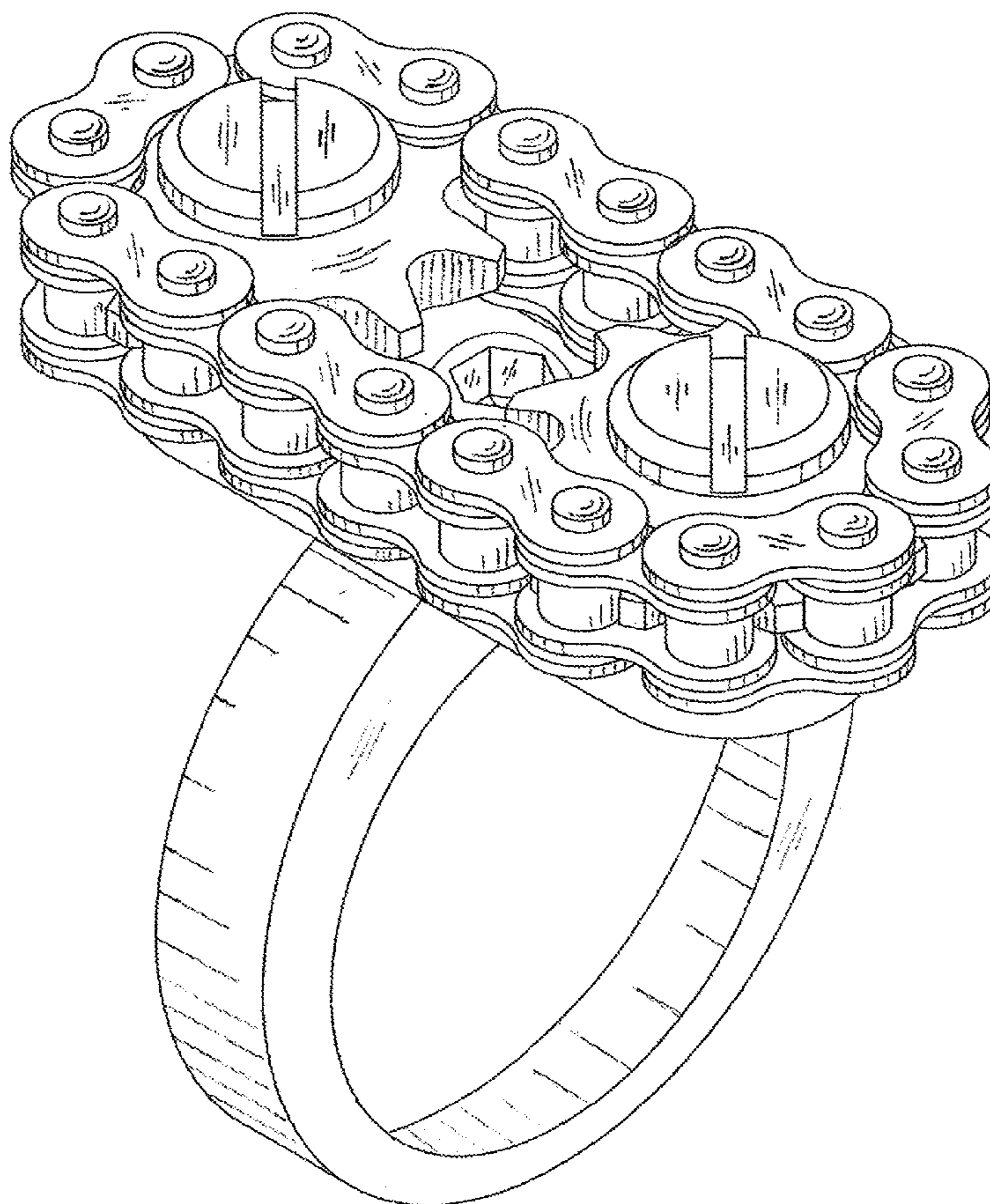
(57) **CLAIM**

The ornamental design for a chain transmission ring, as shown and described.

DESCRIPTION

FIG. 1 is a front perspective view of the chain transmission ring showing our new design;
FIG. 2 is a front view thereof the back side view being a mirror image of such front side view;
FIG. 3 is a right side view thereof left side view being a mirror image of such right side view;
FIG. 4 is a top view thereof; and,
FIG. 5 is a bottom view.

1 Claim, 5 Drawing Sheets



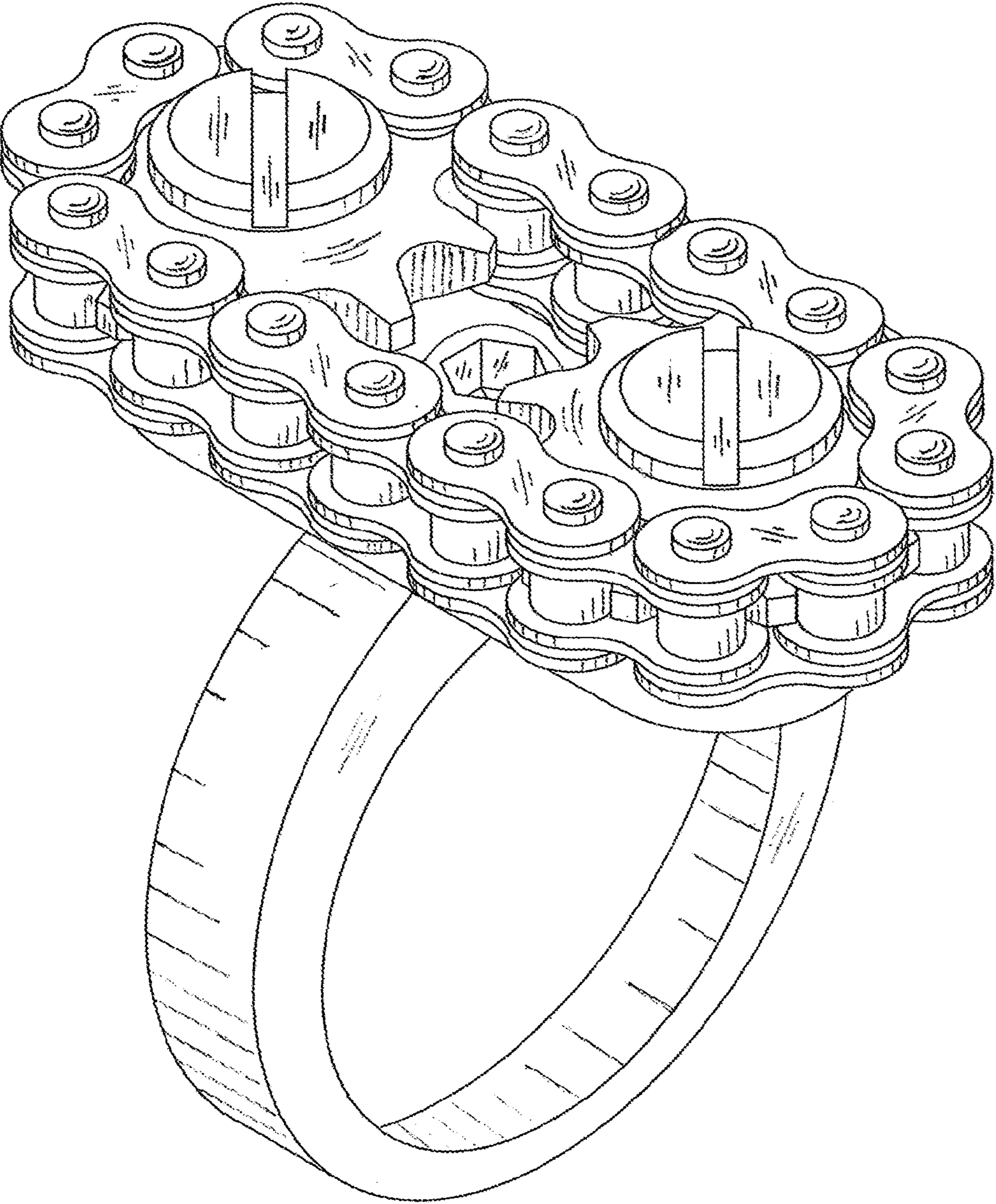


FIG. 1

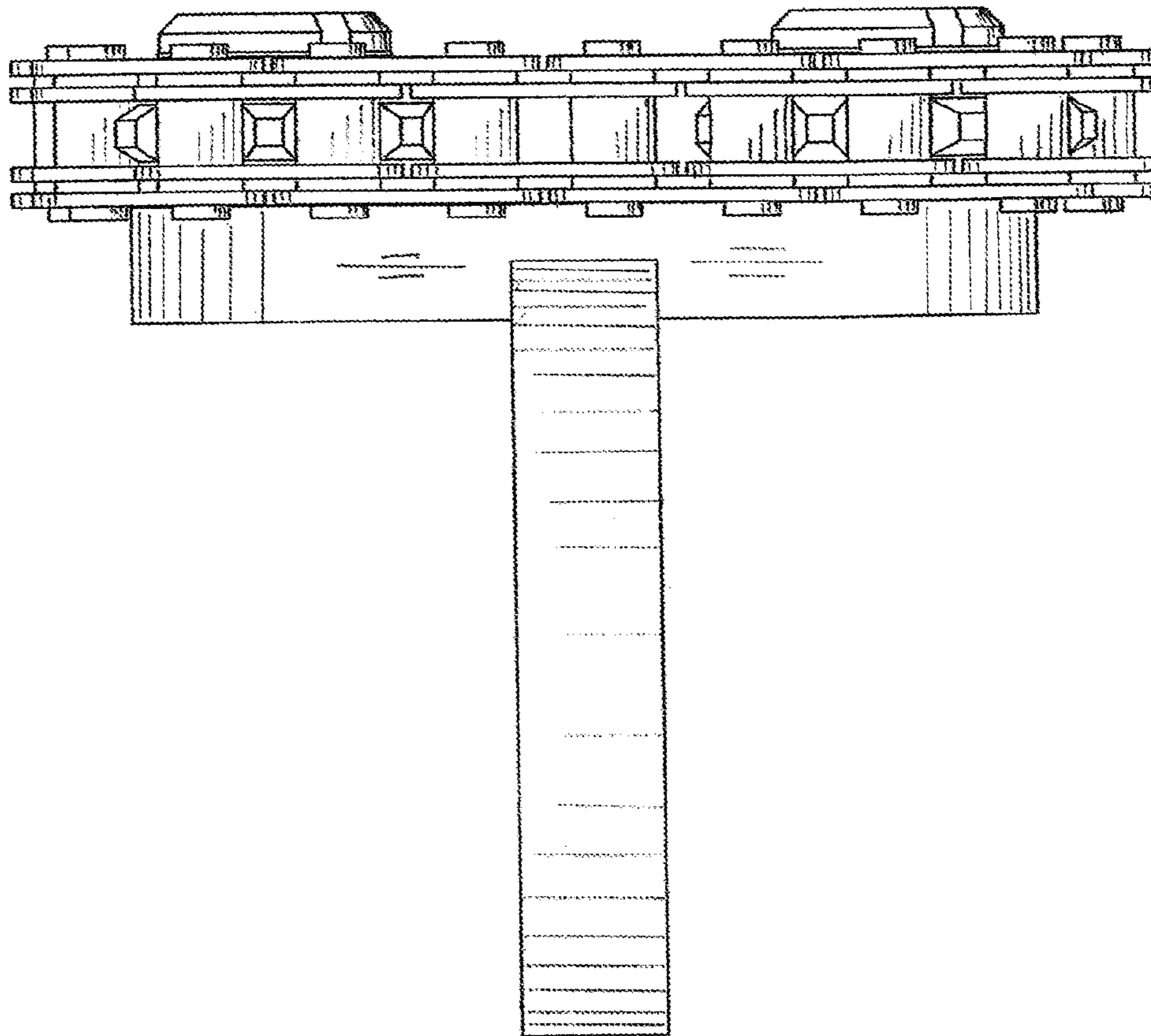


FIG. 2

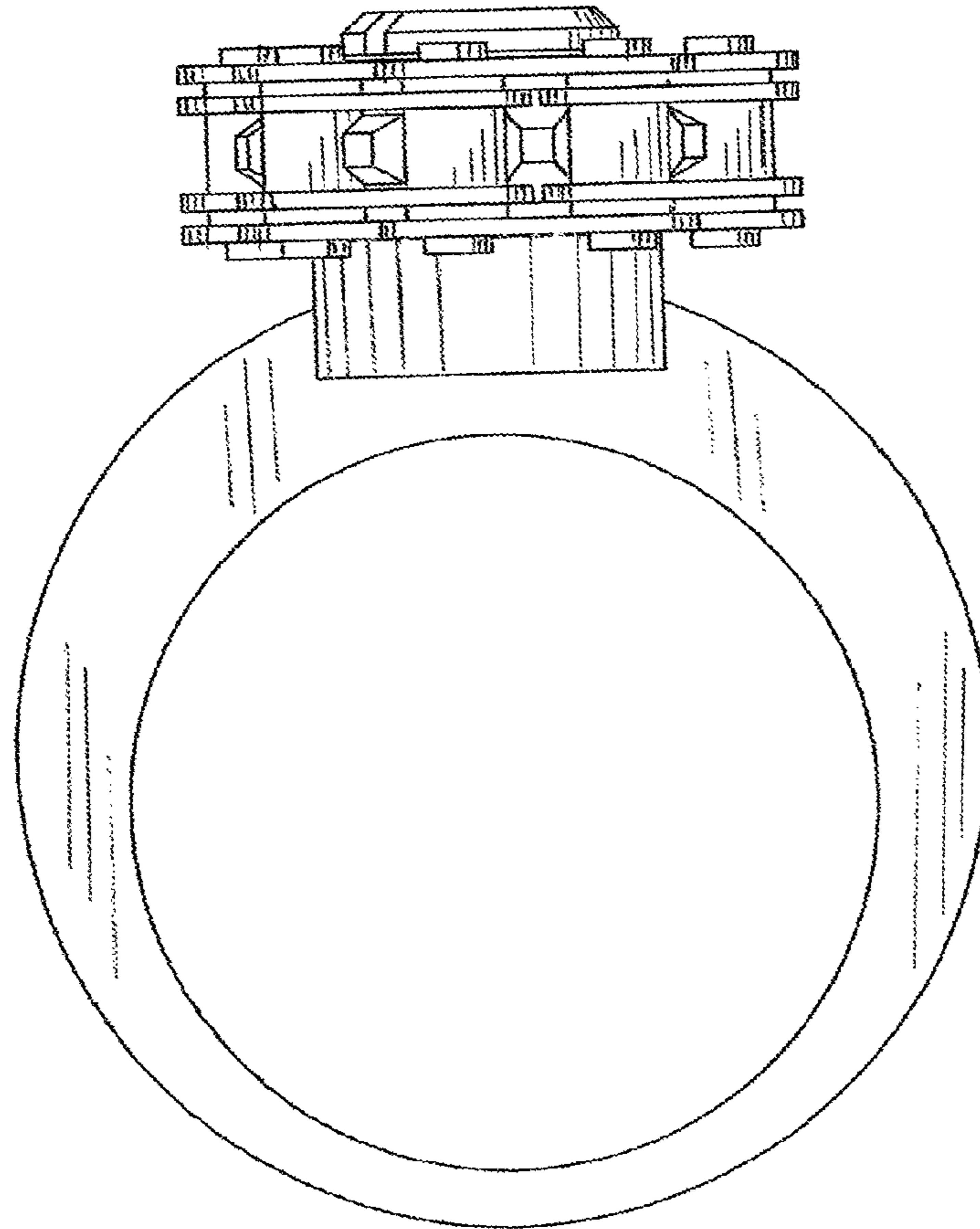


FIG. 3

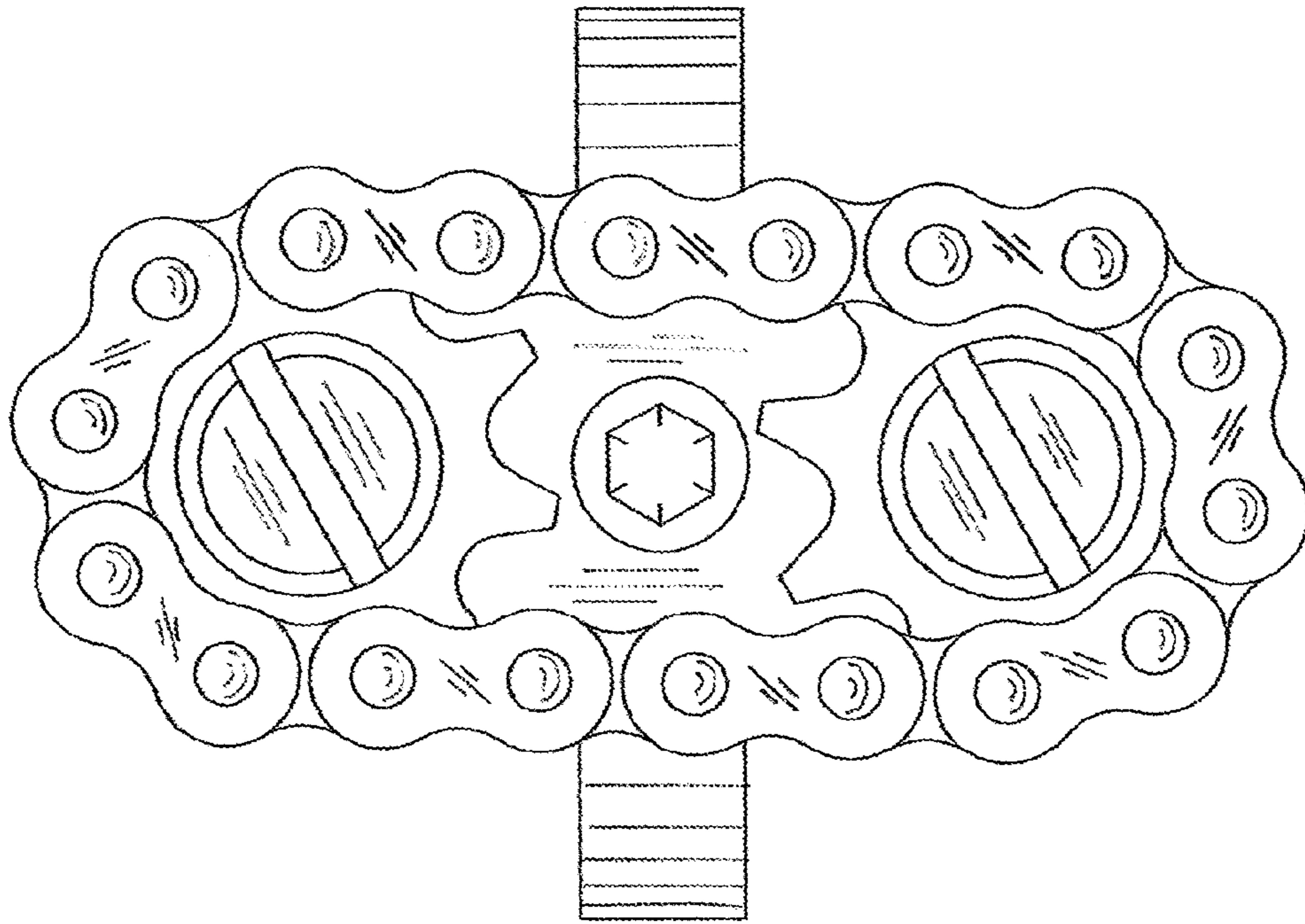


FIG. 4

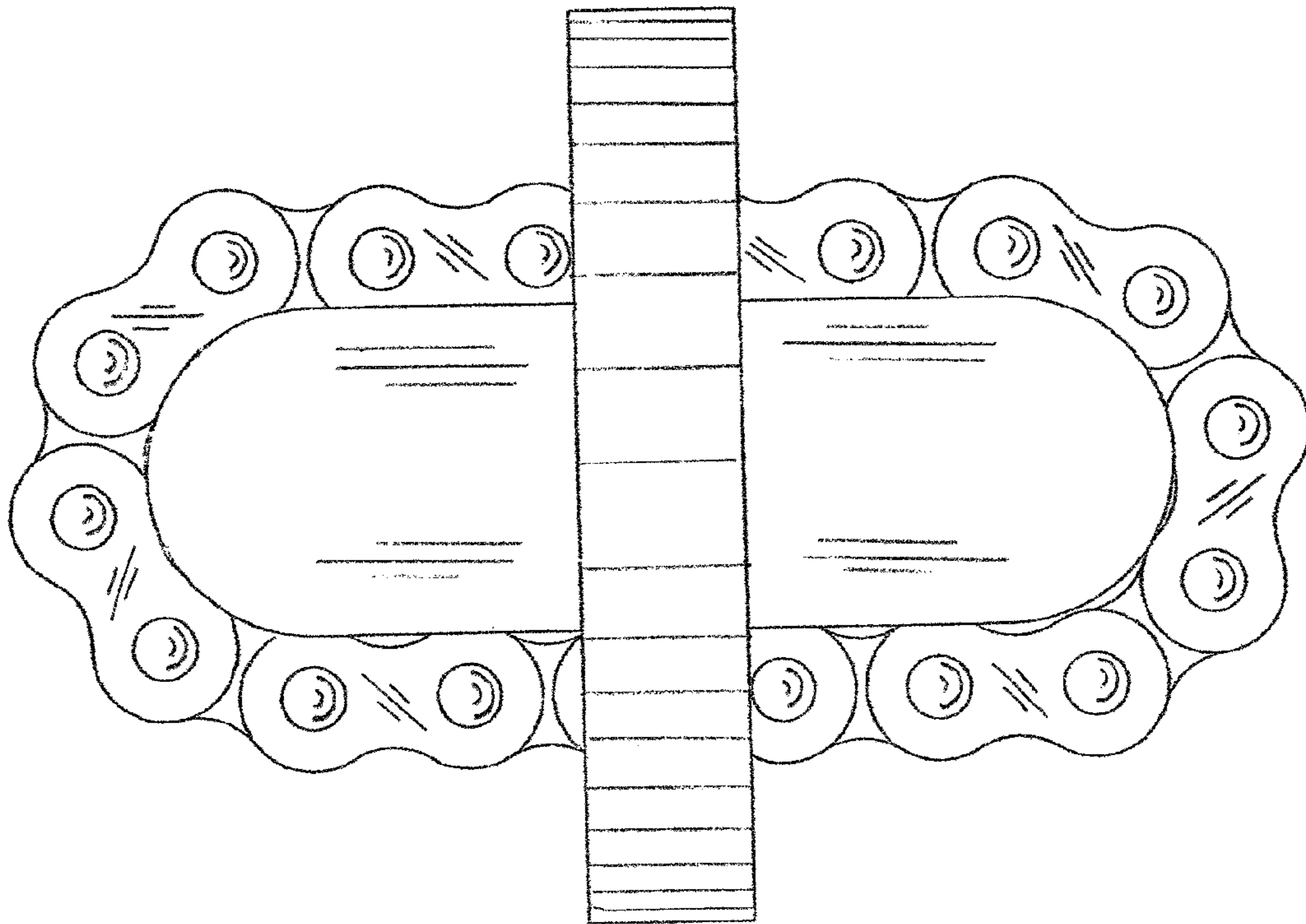


FIG. 5