



US00D691506S

(12) **United States Design Patent**
Hardy

(10) **Patent No.:** **US D691,506 S**

(45) **Date of Patent:** **** Oct. 15, 2013**

(54) **BRACELET**

(71) Applicant: **Cartier Creation Studio SA**, Geneva
(CH)

(72) Inventor: **Théodora Hardy**, Paris (FR)

(73) Assignee: **Cartier Creation Studio SA**, Geneva
(CH)

(**) Term: **14 Years**

(21) Appl. No.: **29/444,485**

(22) Filed: **Jan. 31, 2013**

(30) **Foreign Application Priority Data**

Aug. 3, 2012 (WO) DM/079 175

(51) **LOC (9) Cl.** **11-01**

(52) **U.S. Cl.**
USPC **D11/4; D11/27**

(58) **Field of Classification Search**
USPC D11/1–25, 26–39; 63/3, 3.1, 3.2,
63/5, 15.1–15.4, 15.45, 15.5, 15.6, 15.65
See application file for complete search history.

(56) **References Cited**

U.S. PATENT DOCUMENTS

D87,916 S * 10/1932 Granat D11/27
D173,348 S * 11/1954 Katz D11/4

D322,944 S * 1/1992 Yurman D11/4
D422,236 S * 4/2000 Ruscitti D11/4
D430,814 S * 9/2000 Lauper D11/26
D497,565 S * 10/2004 Pink D11/4
D500,698 S * 1/2005 Sanjuro De Vedoya et al. D11/4
D529,408 S * 10/2006 Park D11/4
D565,450 S * 4/2008 Lebail D11/27
D575,657 S * 8/2008 Lee D11/4
D632,991 S * 2/2011 Caroline D11/27
D635,880 S * 4/2011 Gaspard D11/27

* cited by examiner

Primary Examiner — Jennifer Rivard

Assistant Examiner — Melanie Pellegrini

(74) *Attorney, Agent, or Firm* — Krieg DeVault LLP;
Clifford W. Browning

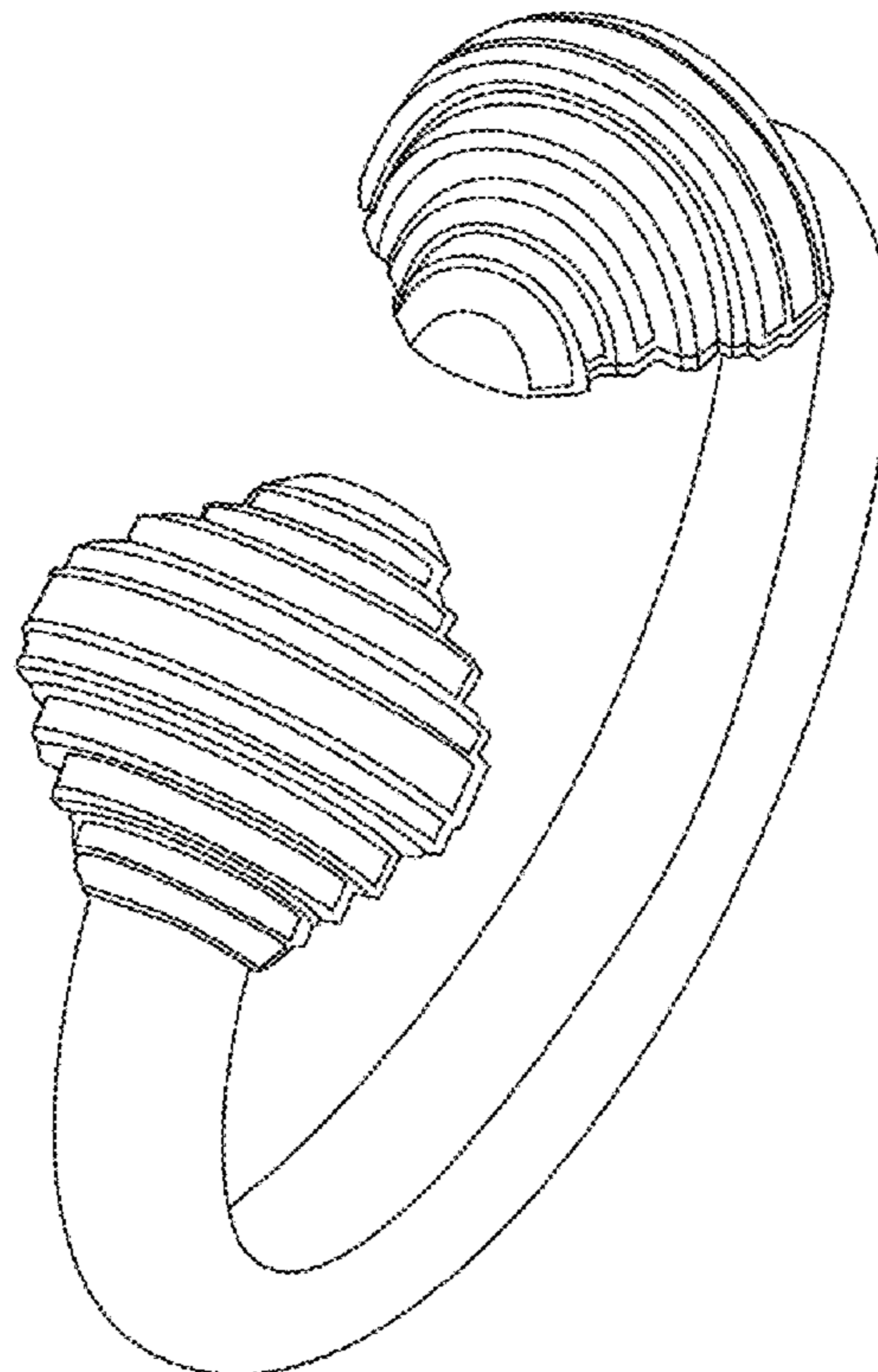
(57) **CLAIM**

The ornamental design for a bracelet, as shown and described.

DESCRIPTION

FIG. 1 is a front view of the bracelet of the present invention.
FIG. 2 is a rear view of the bracelet of FIG. 1.
FIG. 3 is a top view of the bracelet of FIG. 1.
FIG. 4 is a bottom view of the bracelet of FIG. 1.
FIG. 5 is a right-side view of the bracelet of FIG. 1.
FIG. 6 is a left-side view of the bracelet of FIG. 1; and,
FIG. 7 is top, right-side perspective view of the bracelet of
FIG. 1.

1 Claim, 1 Drawing Sheet



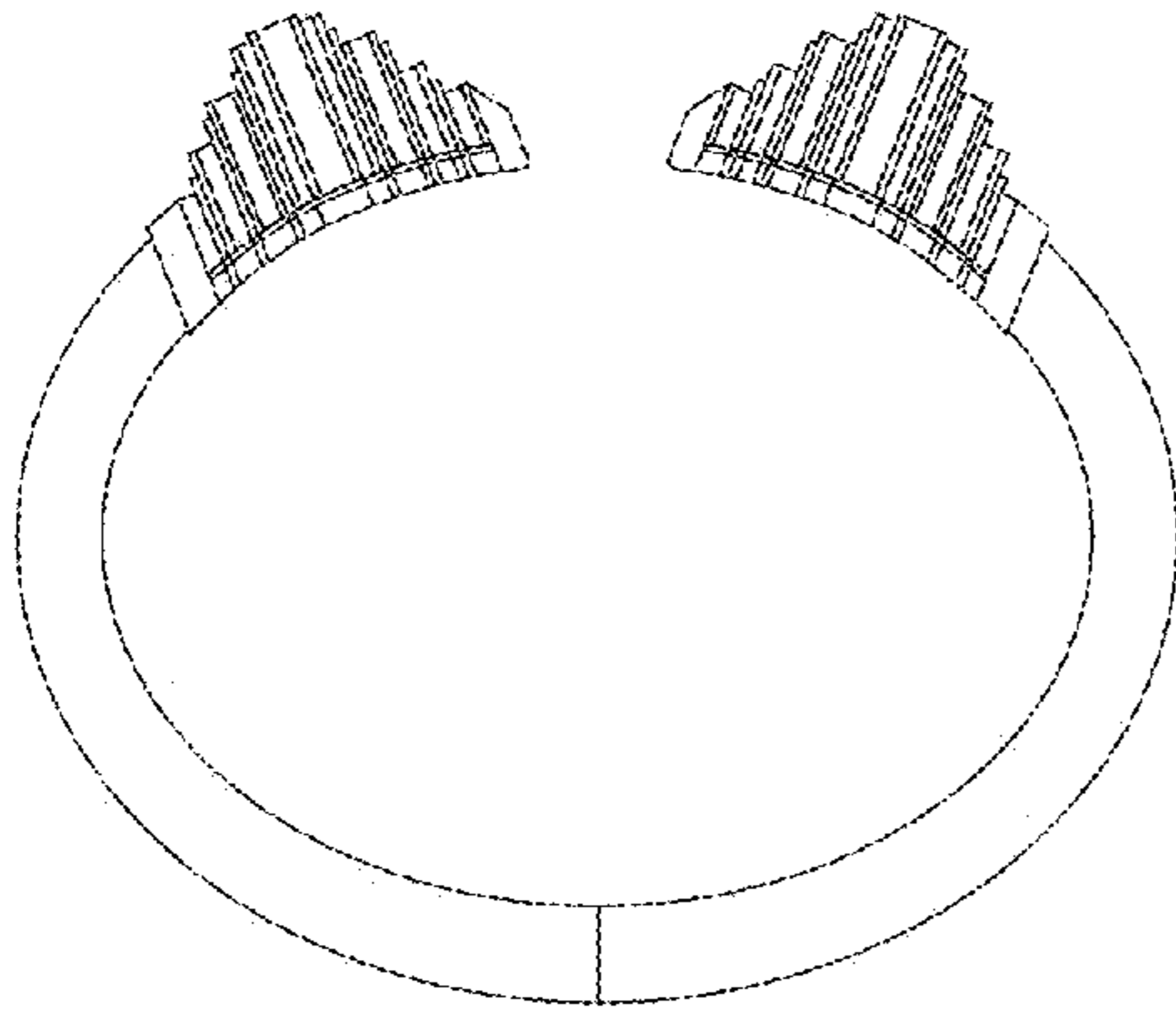


FIG. 1

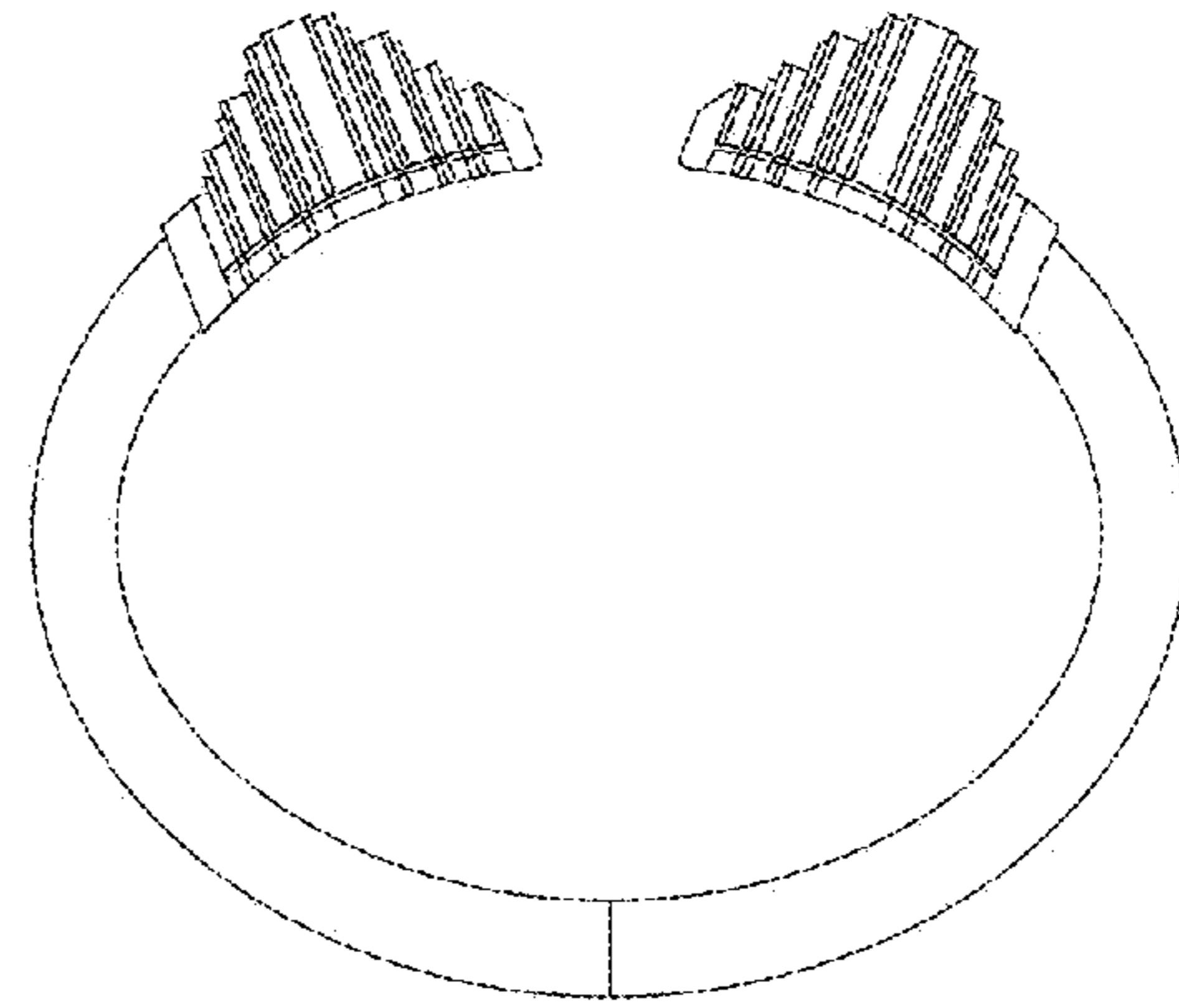


FIG. 2

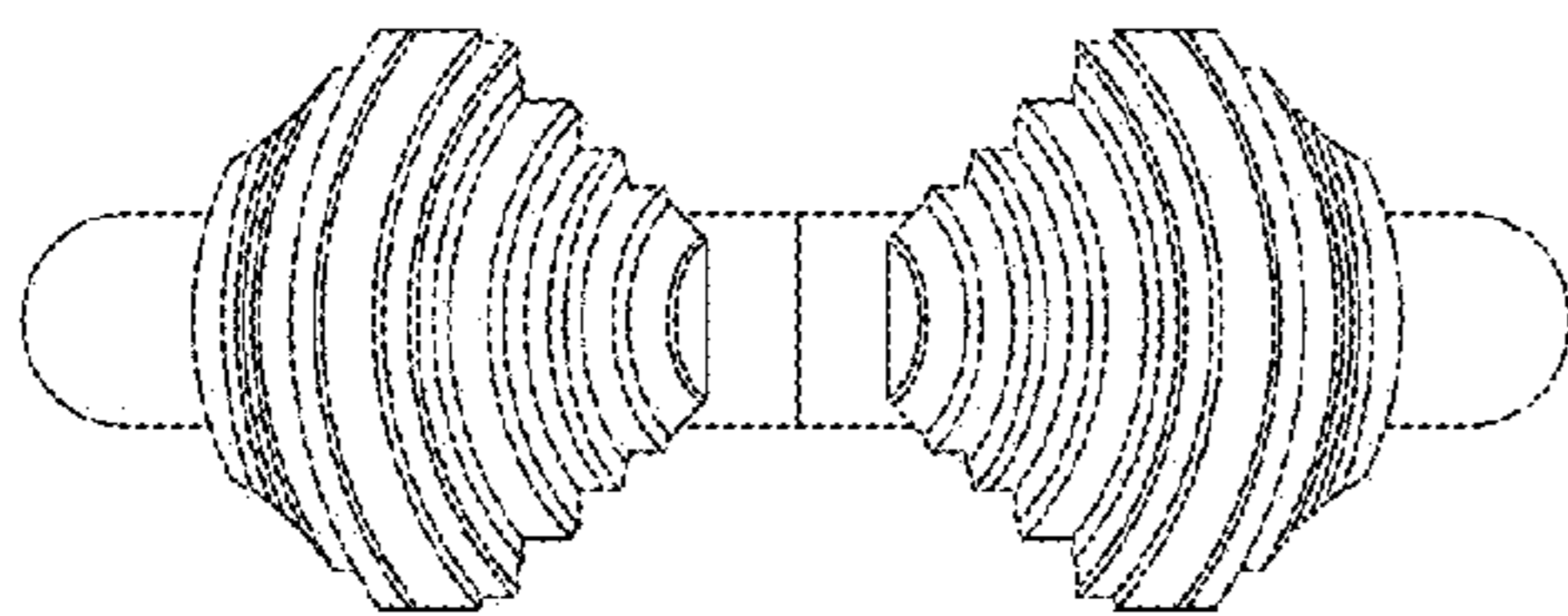


FIG. 3

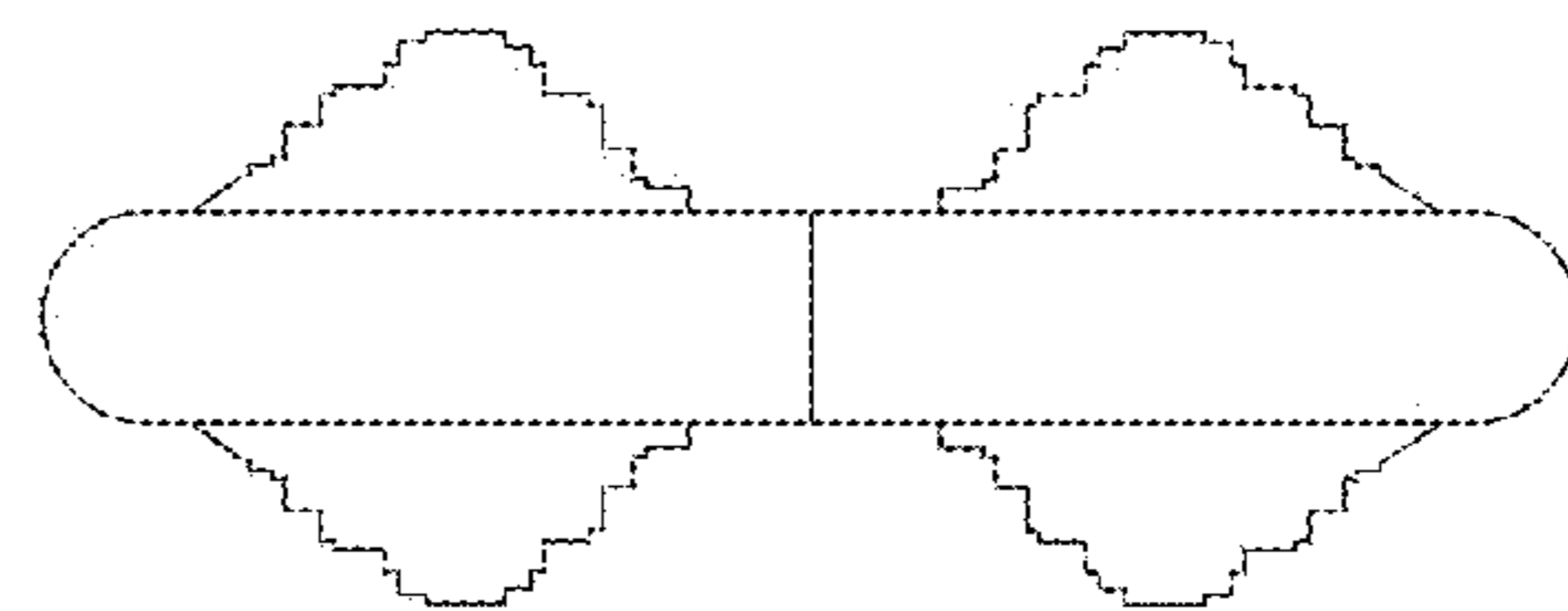


FIG. 4

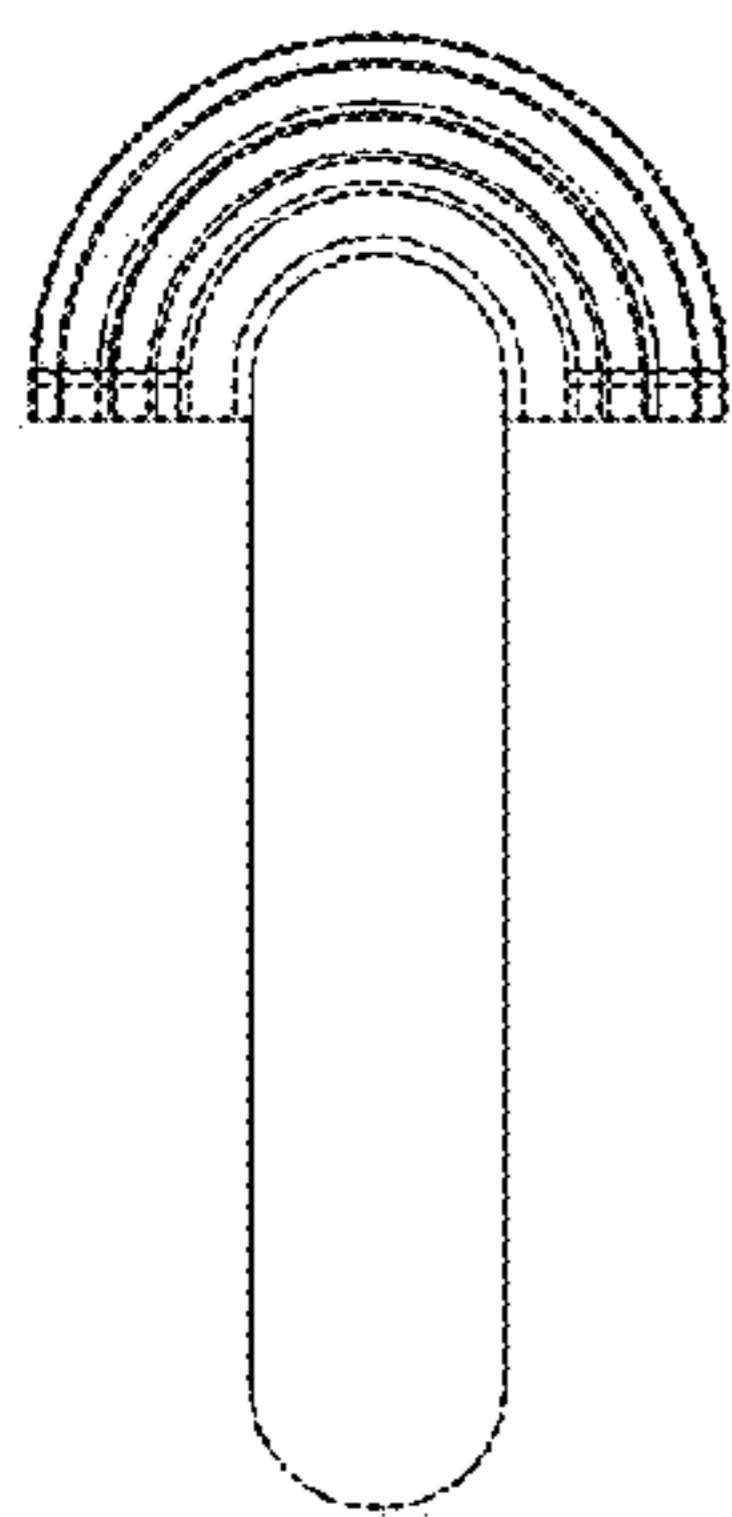


FIG. 5

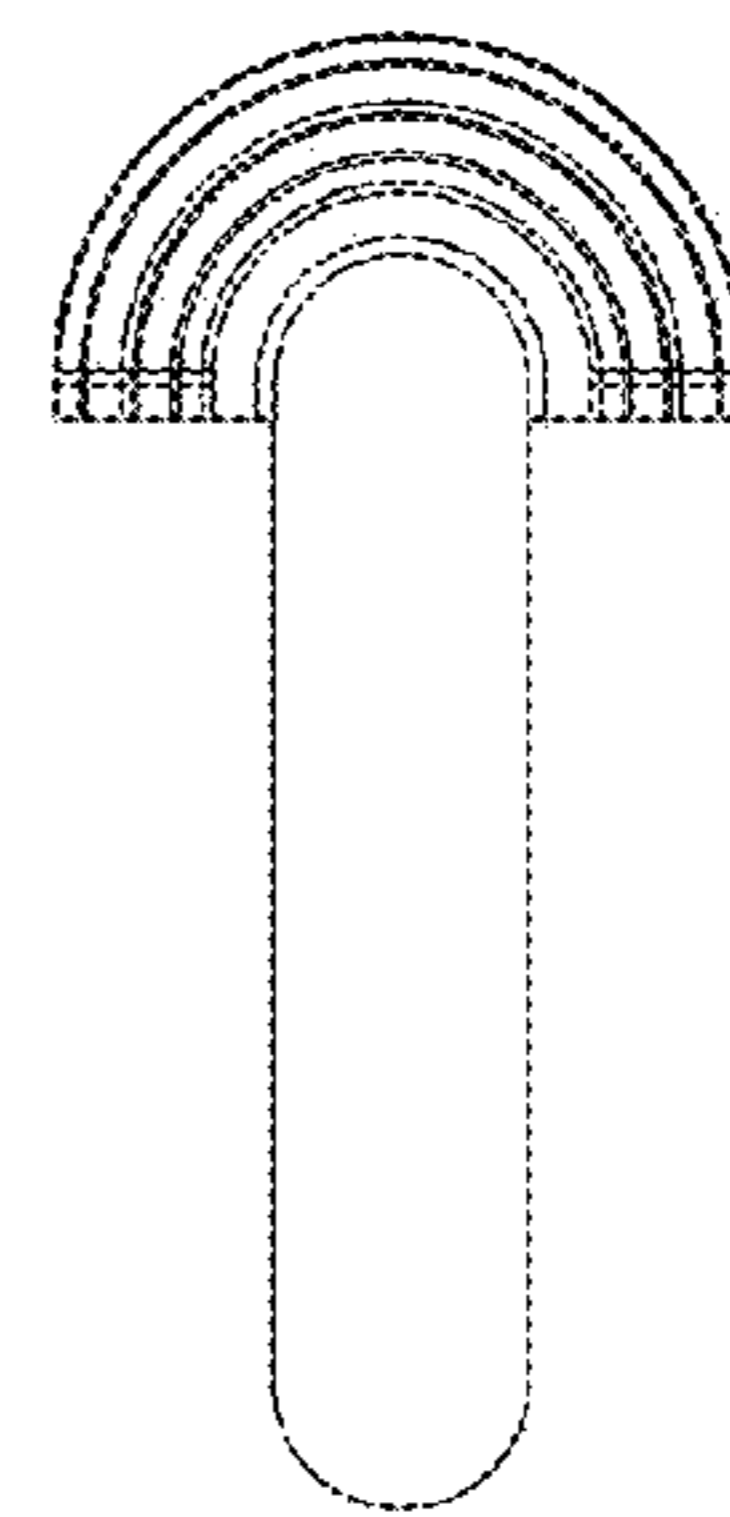


FIG. 6

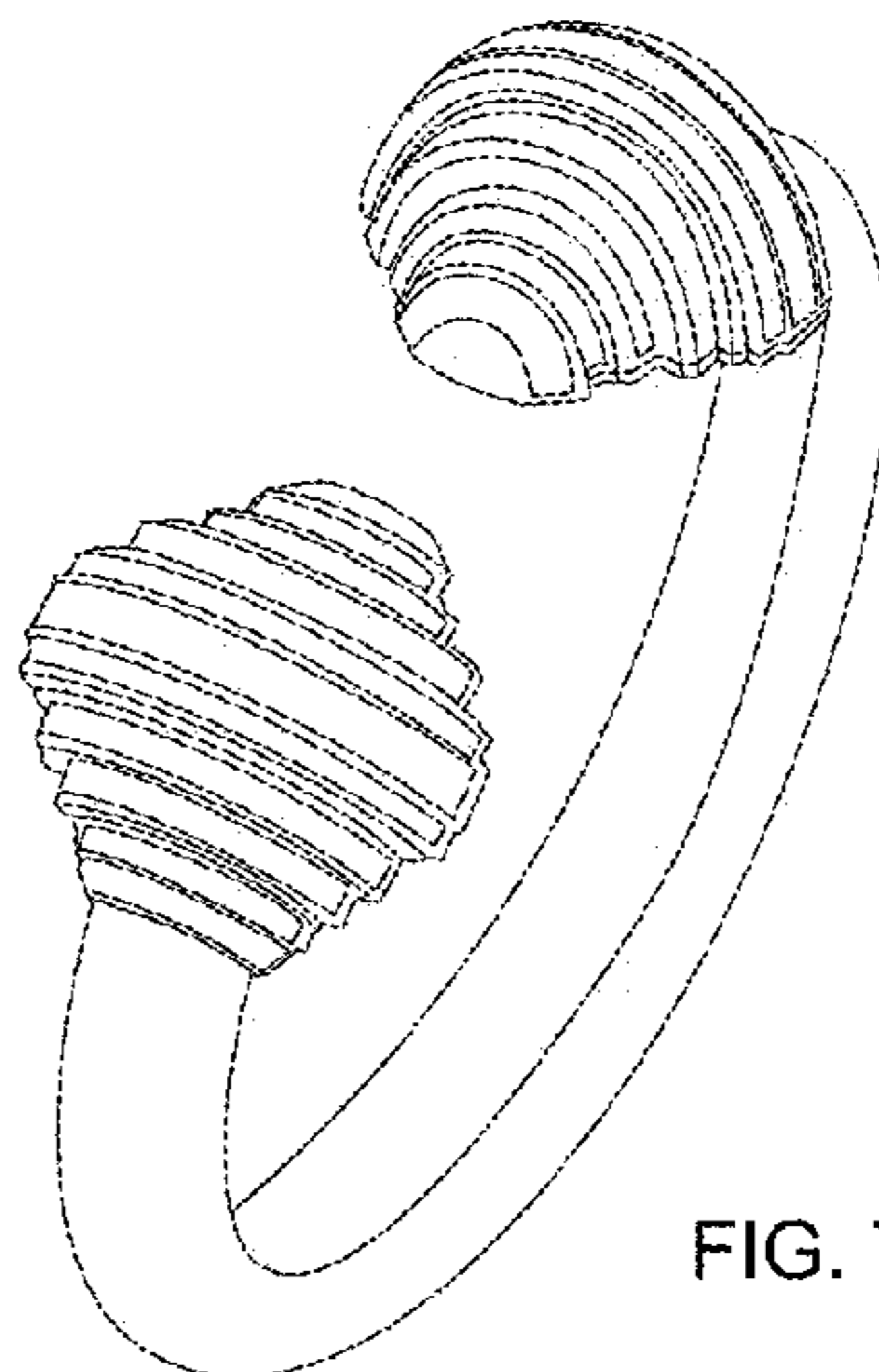


FIG. 7