



US00D691502S

(12) **United States Design Patent**
Otsuka et al.

(10) **Patent No.:** **US D691,502 S**
(45) **Date of Patent:** **** Oct. 15, 2013**

(54) **BODY COMPOSITION METER**
(75) Inventors: **Takeshi Otsuka**, Tokyo (JP); **Kan Morohoshi**, Osaka (JP)
(73) Assignee: **Tanita Corporation**, Tokyo (JP)
(**) Term: **14 Years**

D531,534 S * 11/2006 Motomizu et al. D10/92
D532,329 S * 11/2006 Yamada et al. D10/92
D552,499 S * 10/2007 Ashida et al. D10/92
D578,423 S 10/2008 Otsuka et al.
D578,914 S * 10/2008 Otsuka et al. D10/92
D578,917 S 10/2008 Otsuka et al.
D582,813 S 12/2008 Otsuka et al.
7,966,063 B2* 6/2011 Oshima et al. 600/547
7,979,116 B2* 7/2011 Tseng et al. 600/547
8,391,969 B2* 3/2013 Sato 600/547

(21) Appl. No.: **29/426,663**
(22) Filed: **Jul. 9, 2012**

* cited by examiner

(30) **Foreign Application Priority Data**

Apr. 13, 2012 (JP) 2012-8742

(51) **LOC (9) Cl.** **10-04**
(52) **U.S. Cl.**
USPC **D10/92**

Primary Examiner — Antoine D Davis
(74) *Attorney, Agent, or Firm* — Holtz, Holtz, Goodman & Chick, PC

(58) **Field of Classification Search**
USPC D10/92; 177/25.12–25.18, 238–245,
177/177, 126, 1, 181, 210 R, 210 C, 25, 30,
177/127, DIG. 3, 130, 140, 246, 253, 25.13,
177/25.16, 25.19; 600/506, 547, 592, 587,
600/595, 556, 554; 116/67 R; 128/905;
174/520; 340/626; 361/679.06, 730,
361/752; 702/173

See application file for complete search history.

(57) **CLAIM**
The ornamental design for a body composition meter, as shown and described.

(56) **References Cited**

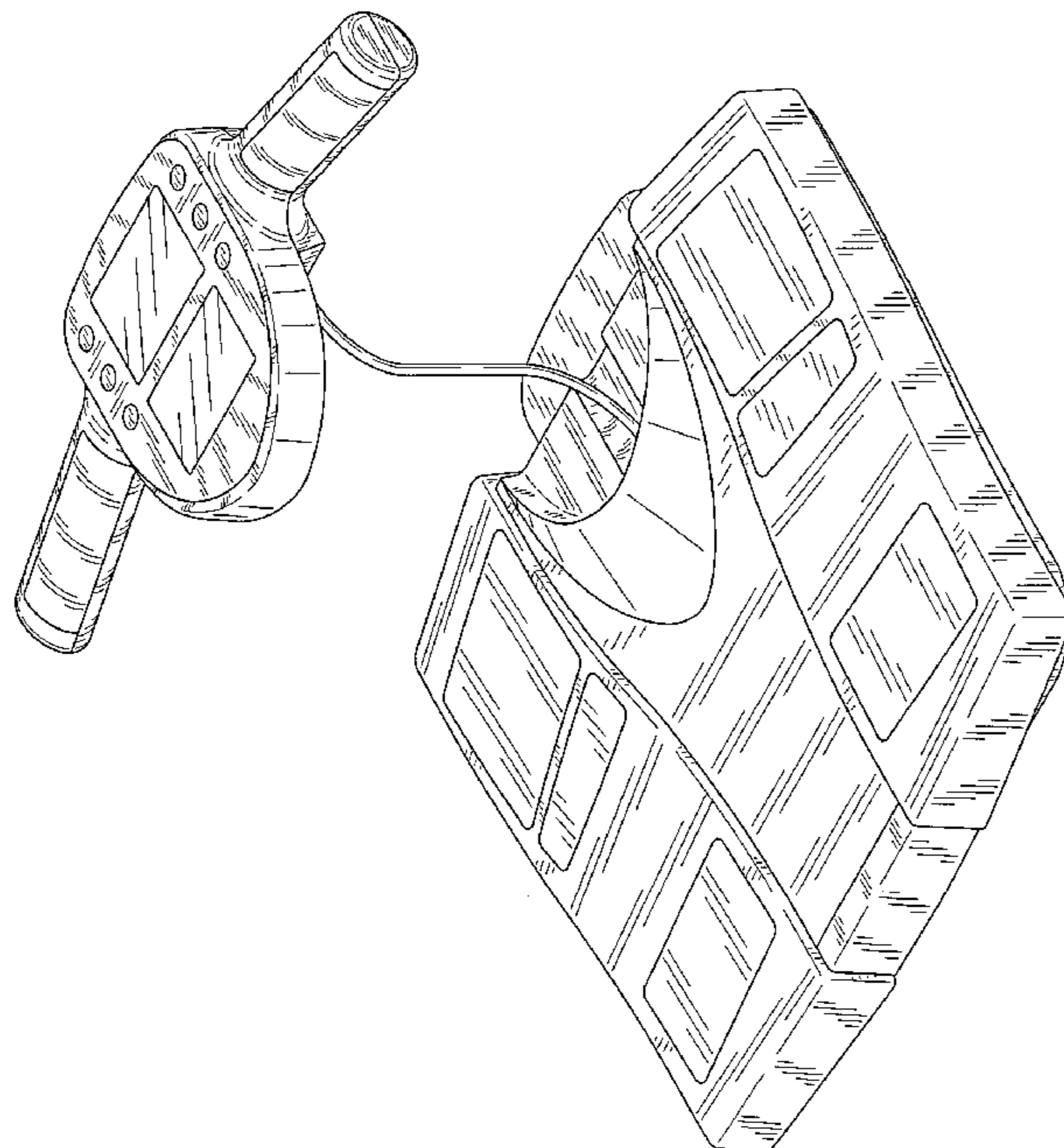
U.S. PATENT DOCUMENTS

D492,610 S * 7/2004 Takahashi et al. D10/92
D503,899 S * 4/2005 Yamada et al. D10/92
D525,547 S * 7/2006 Yamada et al. D10/92

DESCRIPTION

FIG. 1 is a front, right side, bottom perspective view of a body composition meter showing our new design;
FIG. 2 is a front elevational view thereof;
FIG. 3 is a rear elevational view thereof;
FIG. 4 is a left side view thereof;
FIG. 5 is a right side view thereof;
FIG. 6 is a top plan view thereof;
FIG. 7 is a bottom plan view thereof; and,
FIG. 8 is a reduced scale perspective view thereof showing a state in which the operation display portion is detached from a body portion of this article.

1 Claim, 7 Drawing Sheets



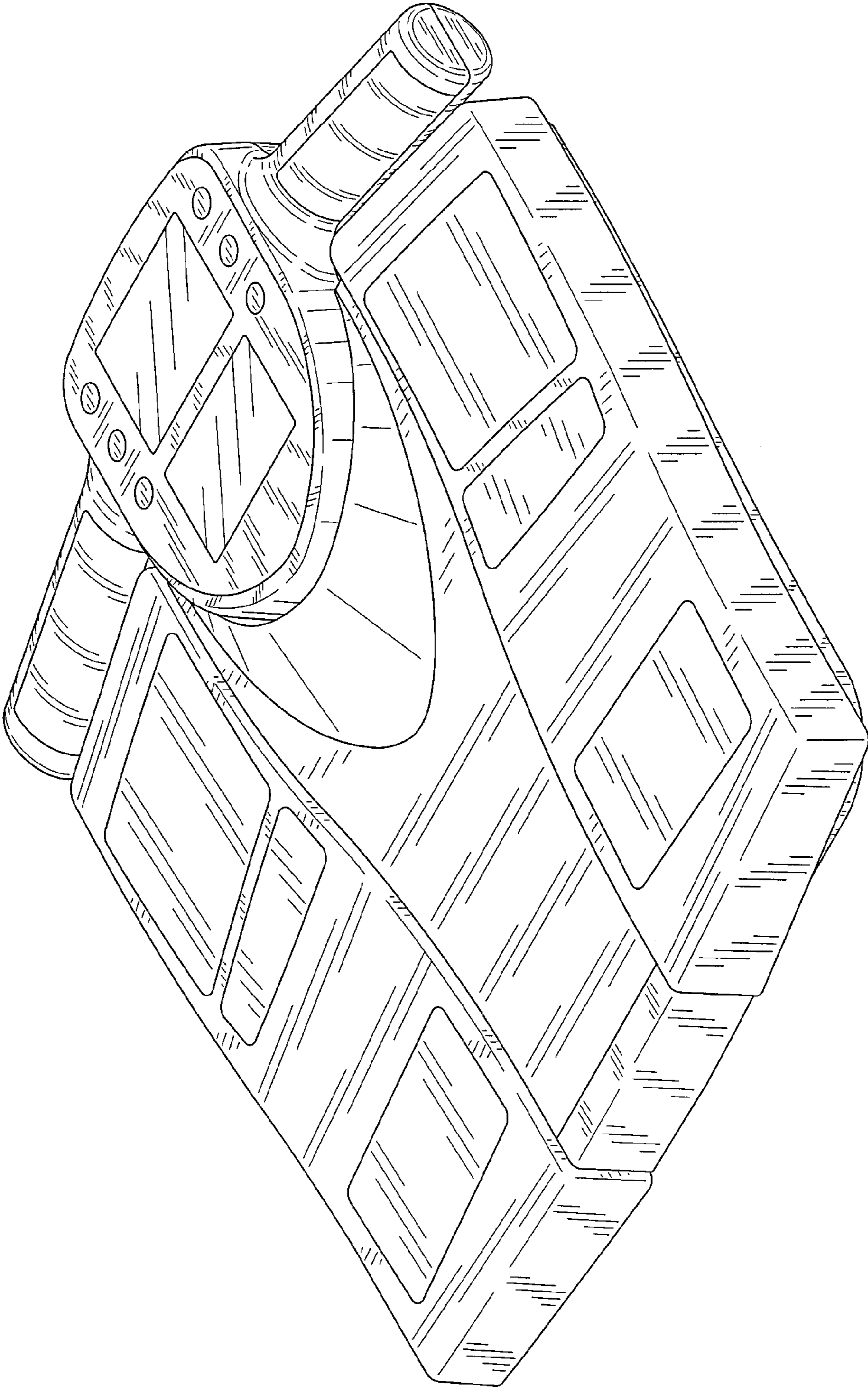


FIG. 1

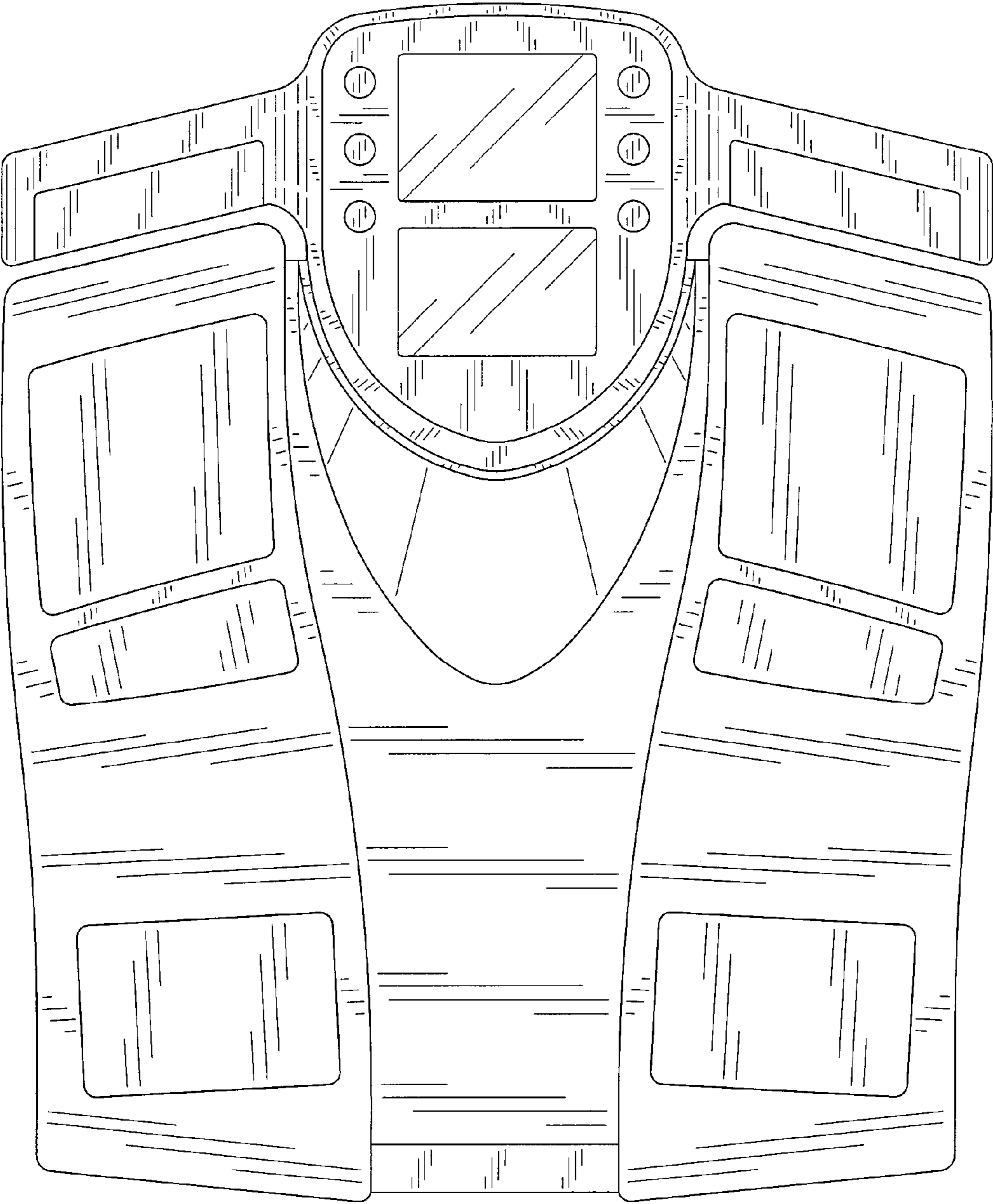


FIG. 2

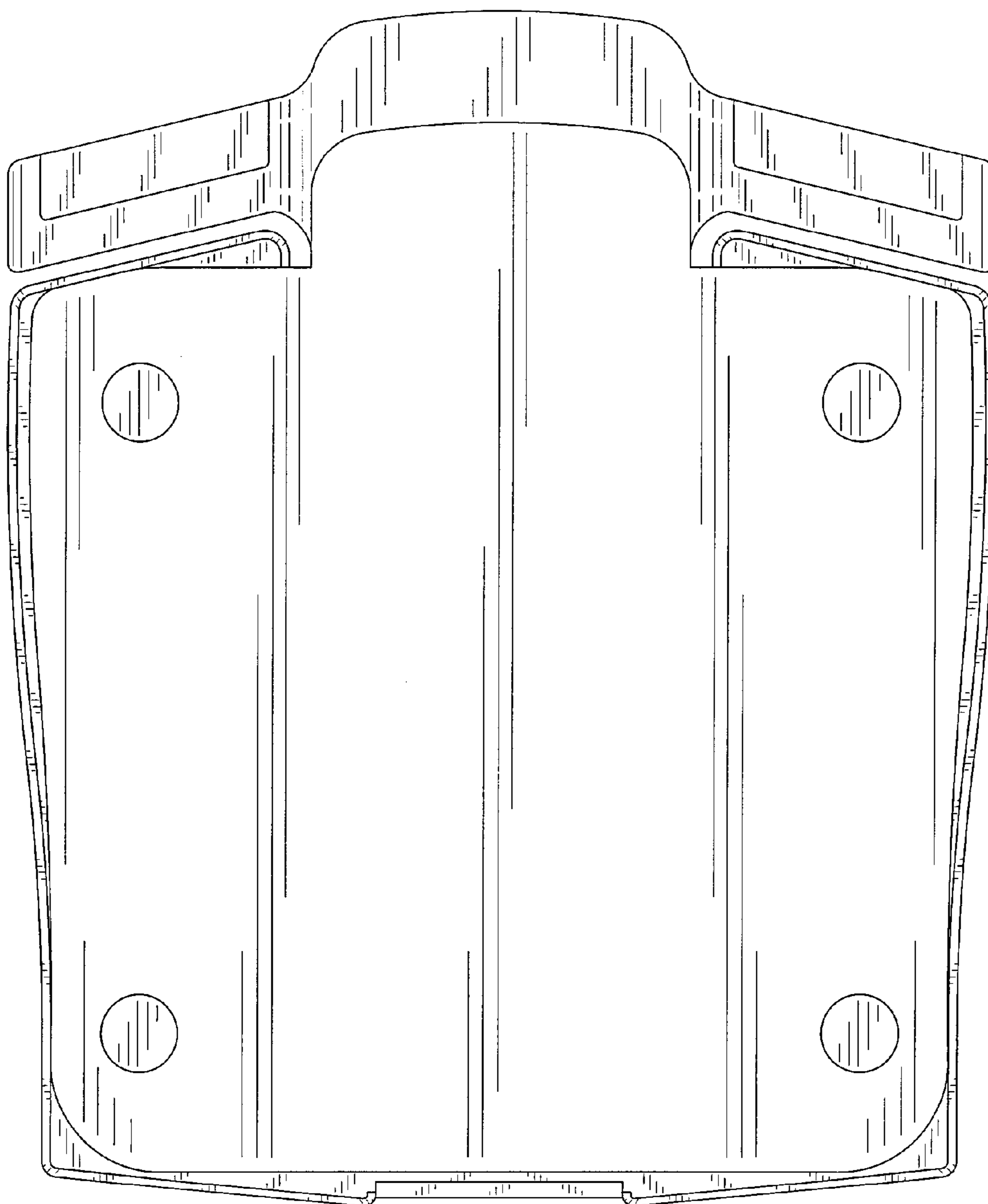


FIG. 3

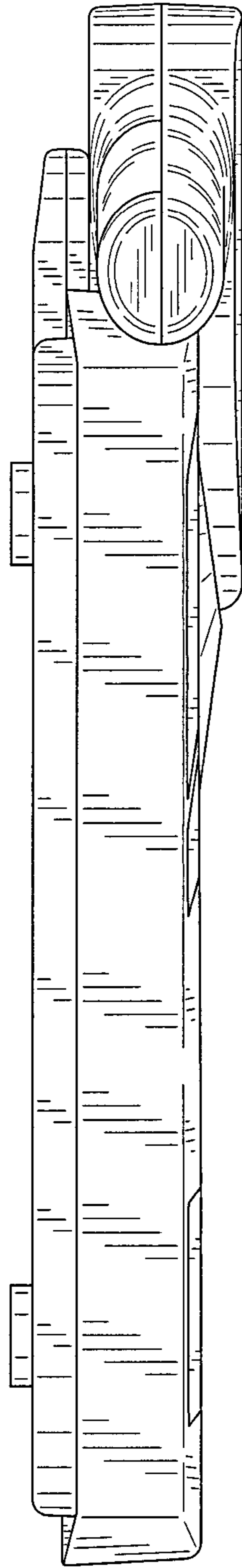


FIG. 4

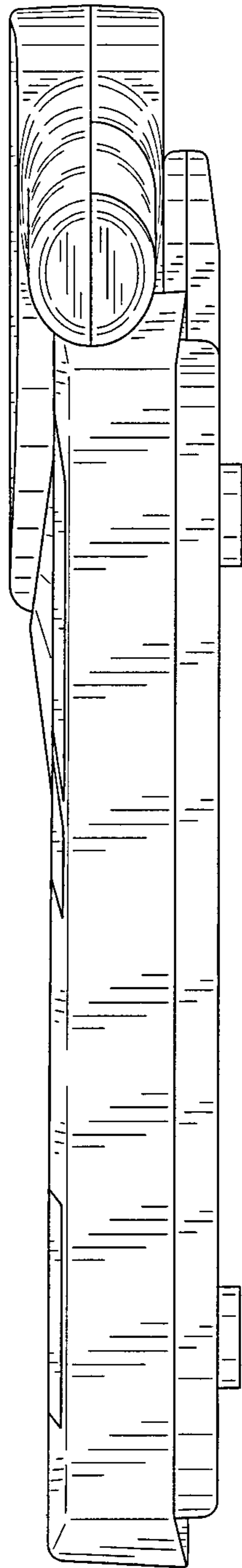


FIG. 5

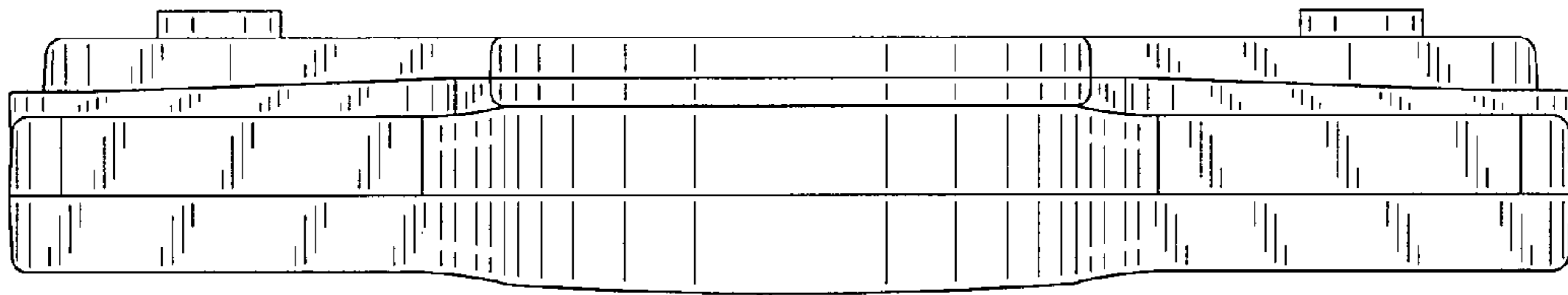


FIG. 6

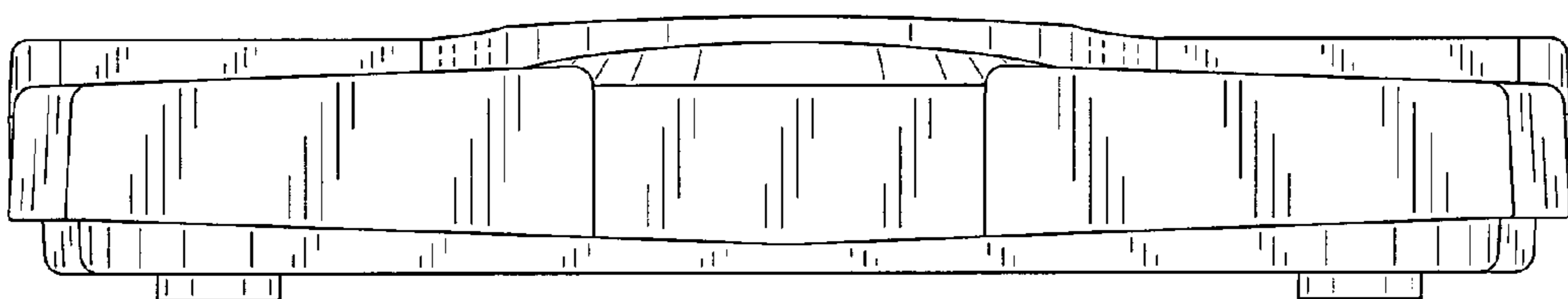


FIG. 7

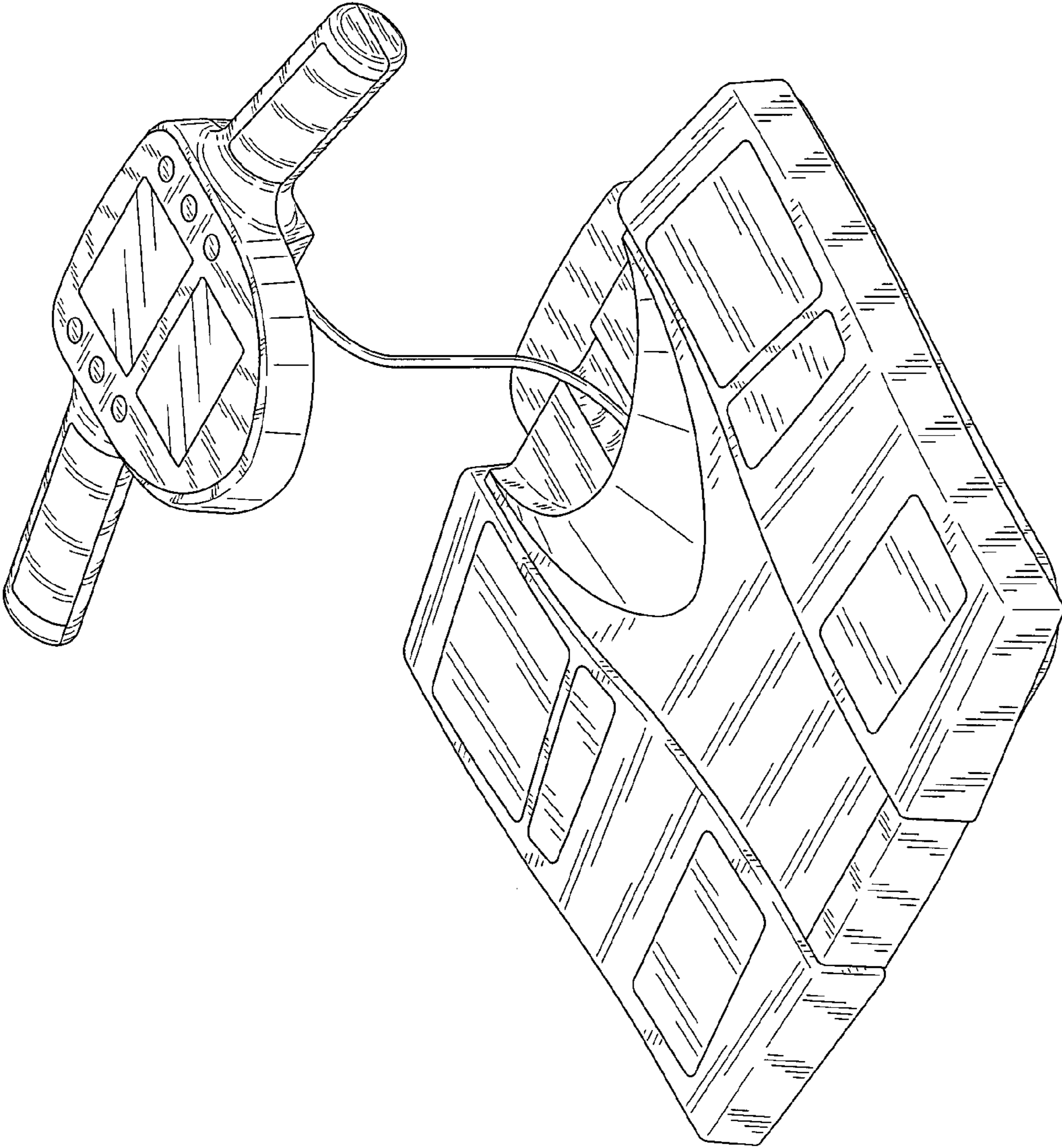


FIG. 8