

US00D691501S

(12) **United States Design Patent**
Schulz et al.

(10) **Patent No.:** **US D691,501 S**
(45) **Date of Patent:** **** Oct. 15, 2013**

(54) **HOUSING FOR A MATERIAL TESTING MACHINE**

(75) Inventors: **Bradley D. Schulz**, Savage, MN (US);
Paul M. Krueger, Maple Grove, MN (US);
Mark W. Schulz, Minneapolis, MN (US);
Serge Dubeau, Plymouth, MN (US)

(73) Assignee: **MTS Systems Corporation**, Eden Prairie, MN (US)

(**) Term: **14 Years**

(21) Appl. No.: **29/422,376**

(22) Filed: **May 18, 2012**

(51) **LOC (9) Cl.** **10-04**

(52) **U.S. Cl.**
USPC **D10/83**

(58) **Field of Classification Search**
USPC D10/46, 83; D15/122; 73/760-860,
73/862-862.382, 866

See application file for complete search history.

(56) **References Cited**

U.S. PATENT DOCUMENTS

D250,514 S *	12/1978	Etchison	D10/83
D283,599 S *	4/1986	Biddle et al.	D10/46
D351,809 S *	10/1994	Nunes	D10/126
D394,015 S *	5/1998	Kellstedt et al.	D10/83
5,939,642 A *	8/1999	King et al.	73/813
8,001,845 B2 *	8/2011	Caulfield et al.	73/824
2005/0011275 A1 *	1/2005	Ferguson et al.	73/818
2007/0107534 A1 *	5/2007	Lemmer et al.	73/857
2008/0223145 A1 *	9/2008	Merendino	73/779
2009/0199663 A1 *	8/2009	Kaneda	73/866

OTHER PUBLICATIONS

Bose, Testing and Characterization Capabilities for Engineered Materials, copyright 2010.

Instron, ElectroPuls™, All Electric Dynamic Test Systems, copyright 2009.

Instron, Industrial Series KPX Models, copyright 2011.

Instron, Industrial Series KX Models, copyright 2012.

Bose, ElectroForce® Test Instruments, copyright 2012.

ElectroForce®, 3100 Test Instrument, Performance and Durability in a Compact Package, copyright 2012.

* cited by examiner

Primary Examiner — Antoine D Davis

(74) *Attorney, Agent, or Firm* — Steven M. Koehler; Westman, Champlin & Kelly, P.A.

(57) **CLAIM**

The ornamental design for a housing for material testing machine, as shown and described.

DESCRIPTION

FIG. 1 is a perspective view of an embodiment of the housing for a material testing machine.

FIG. 2 is perspective view of the housing for a material testing machine illustrated in FIG. 1.

FIG. 3 is a front view of the housing for a material testing machine illustrated in FIG. 2.

FIG. 4 is a rear view of the housing for a material testing machine illustrated in FIG. 2.

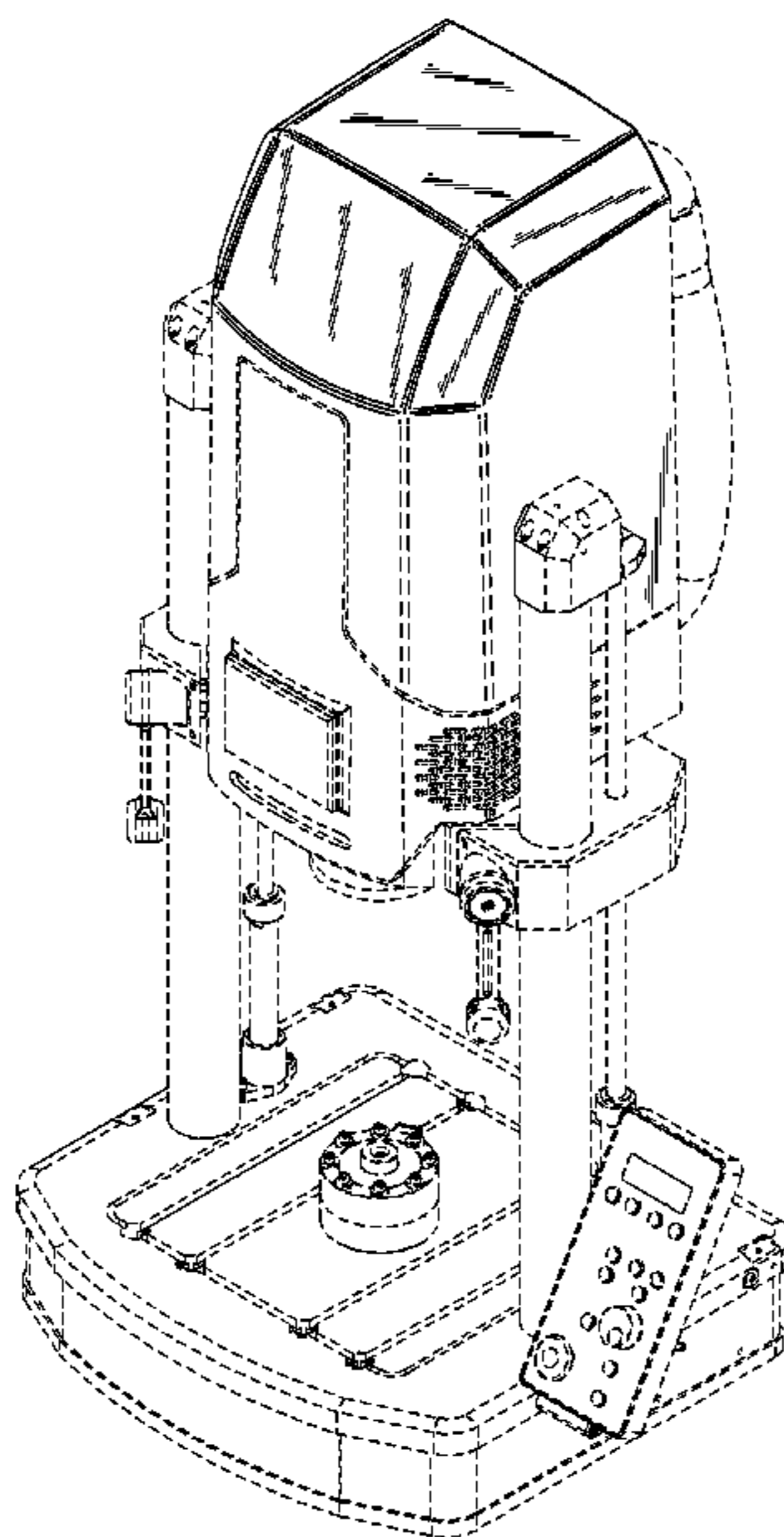
FIG. 5 is a left side view of the housing for a material testing machine illustrated in FIG. 2.

FIG. 6 is a right side view of the housing for a material testing machine illustrated in FIG. 2; and,

FIG. 7 is a top view of the housing for a material testing machine illustrated in FIG. 2.

The bottom view is not claimed. The dashed or dotted lines form no part of the claimed design.

1 Claim, 3 Drawing Sheets



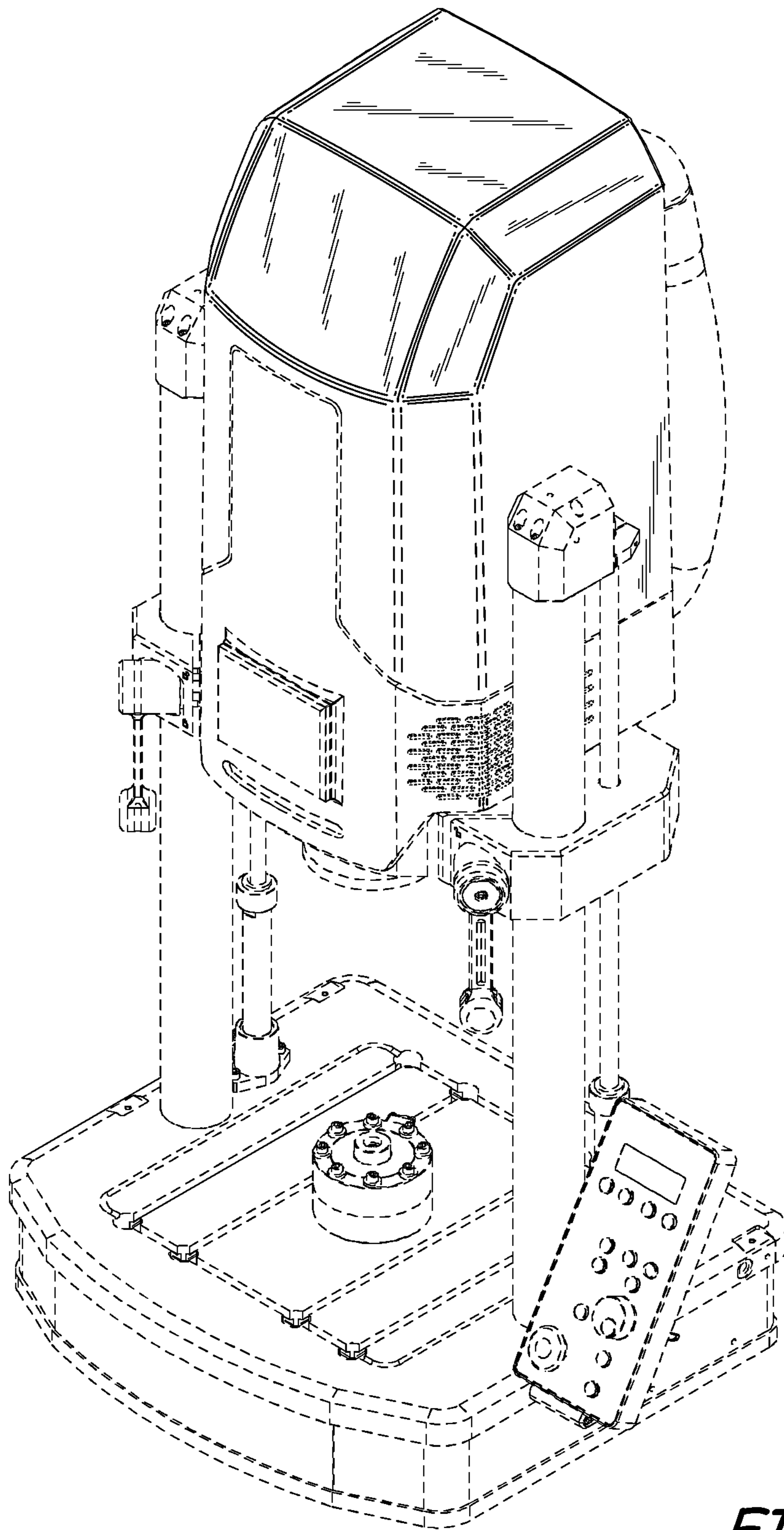


FIG. 1

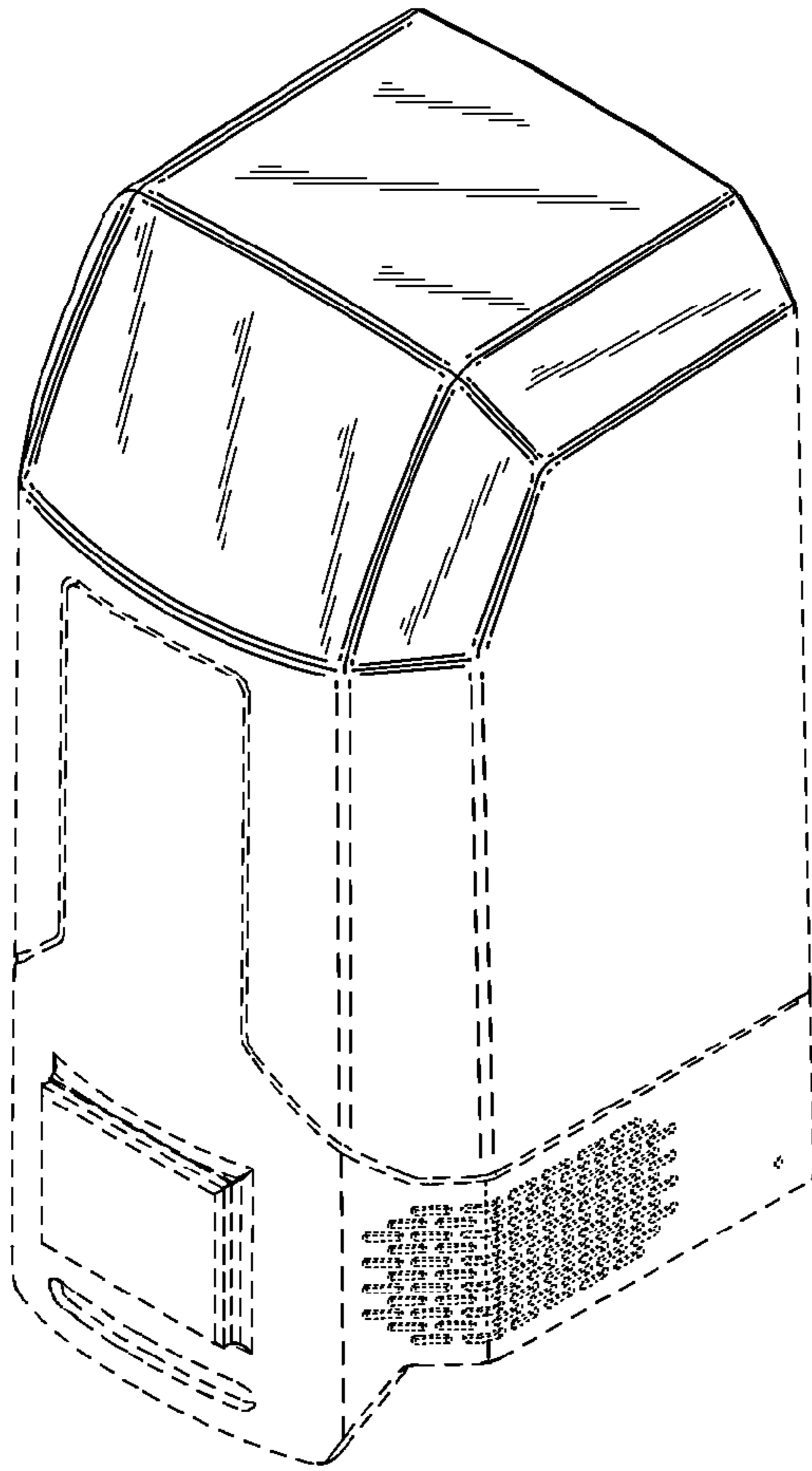


FIG. 2

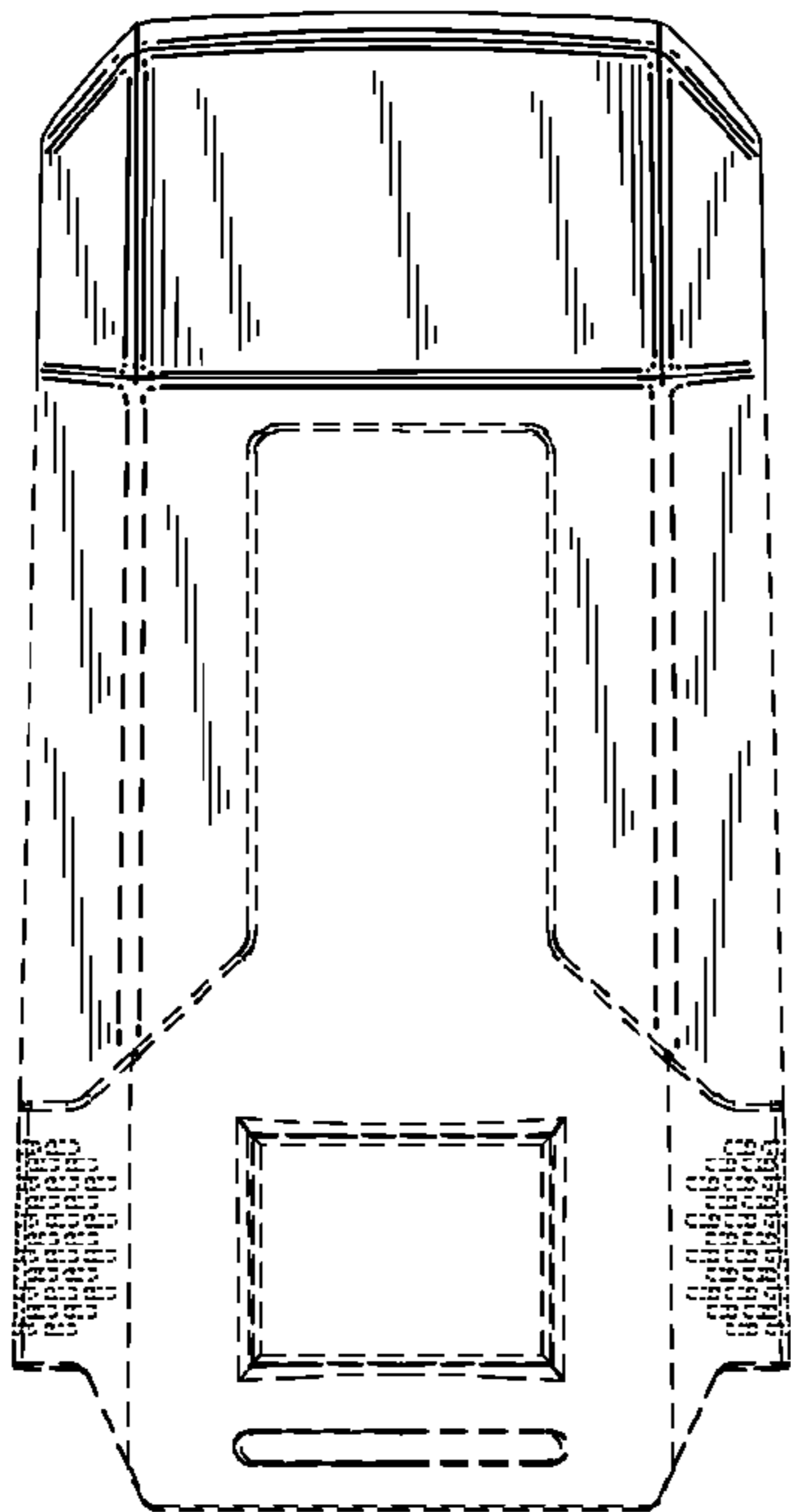


FIG. 3

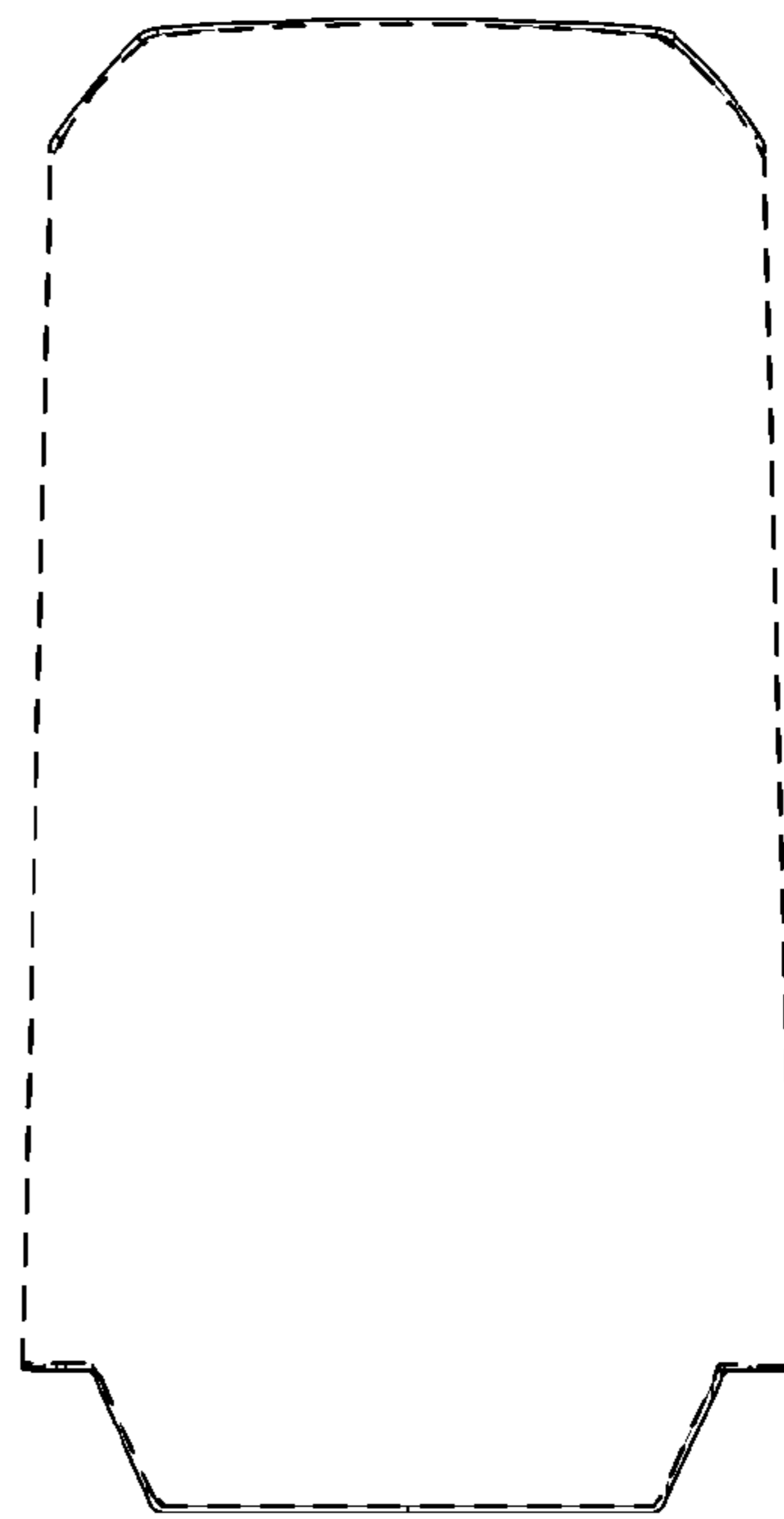


FIG. 4

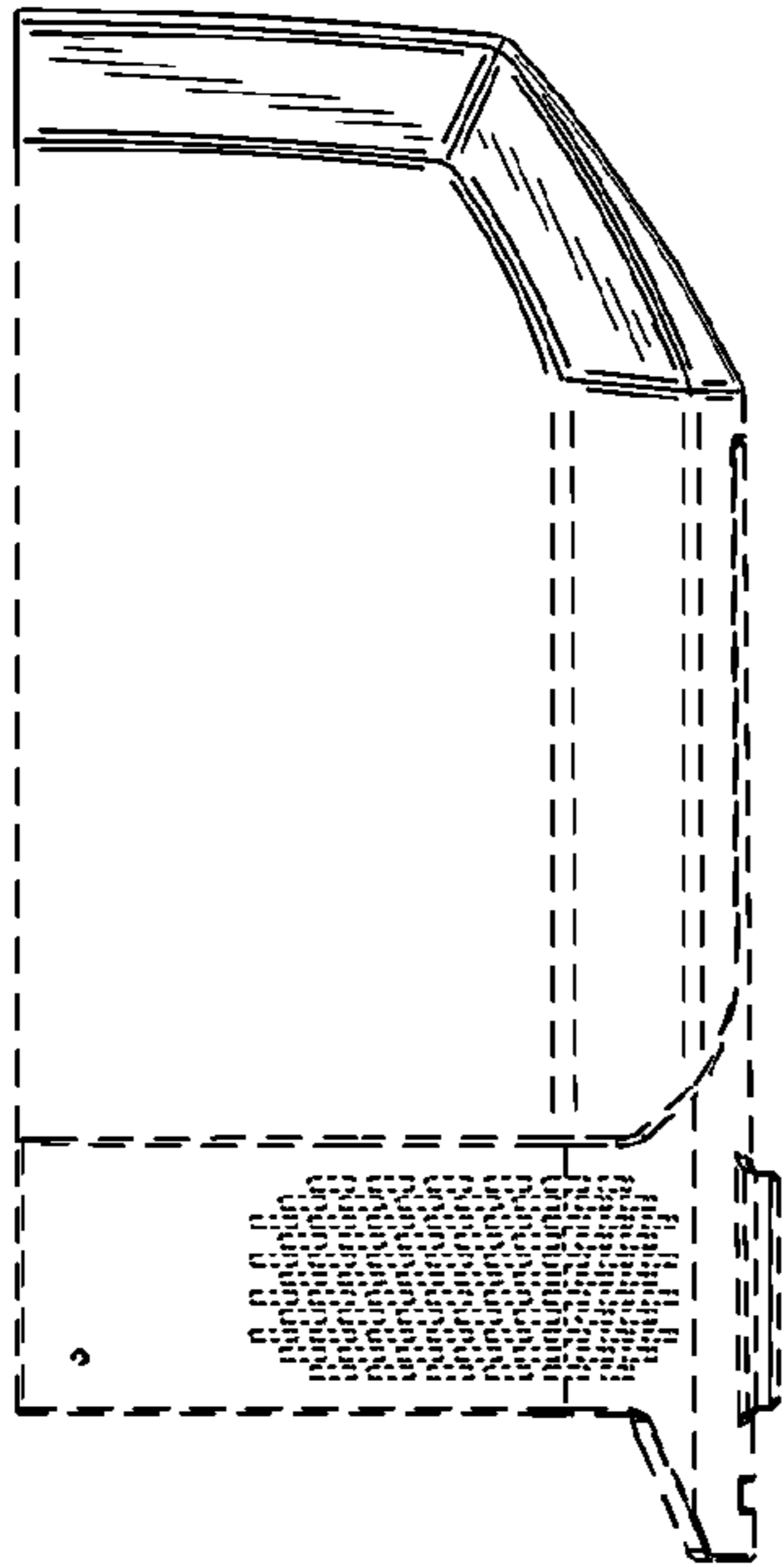


FIG. 5

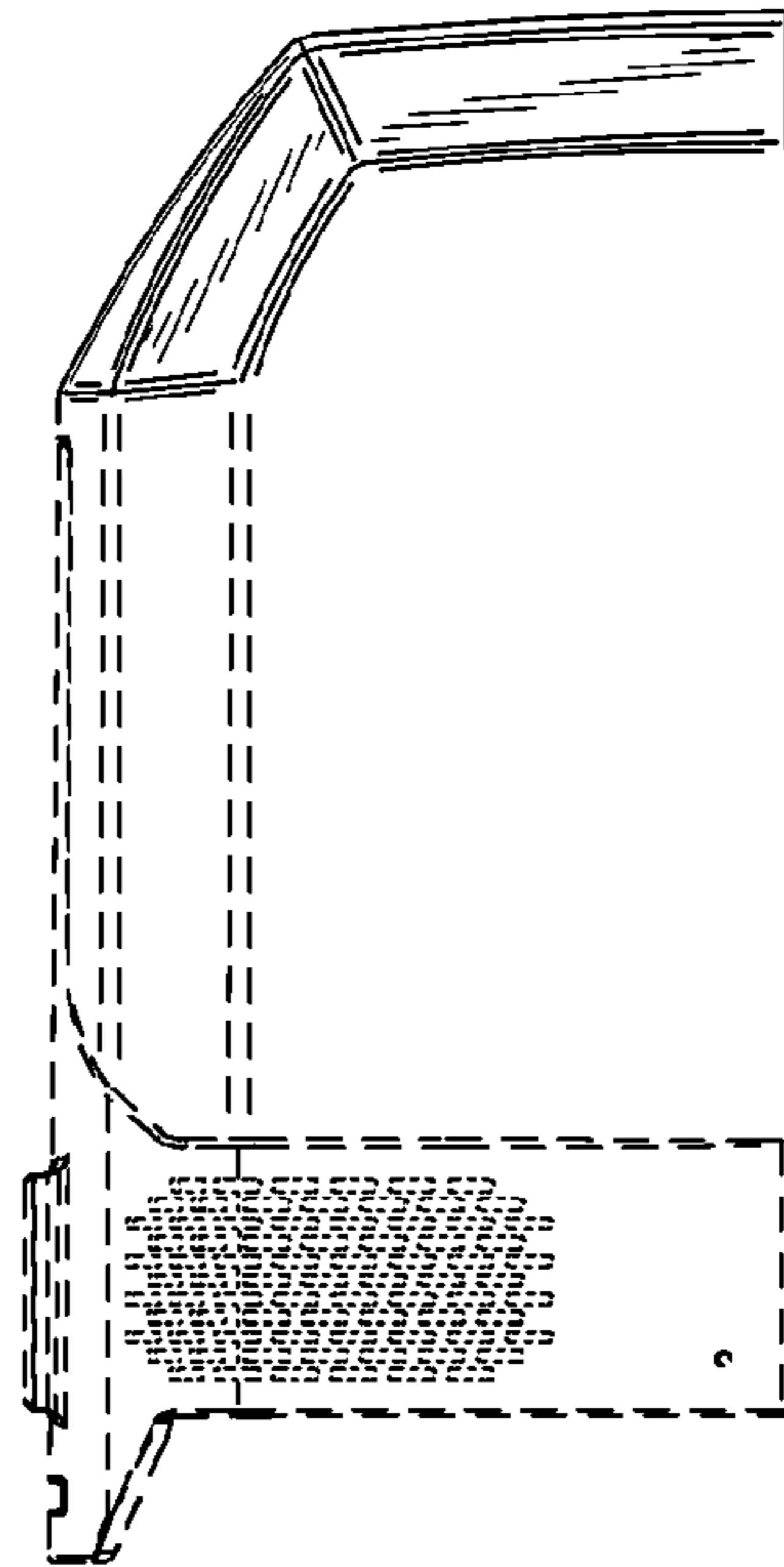


FIG. 6

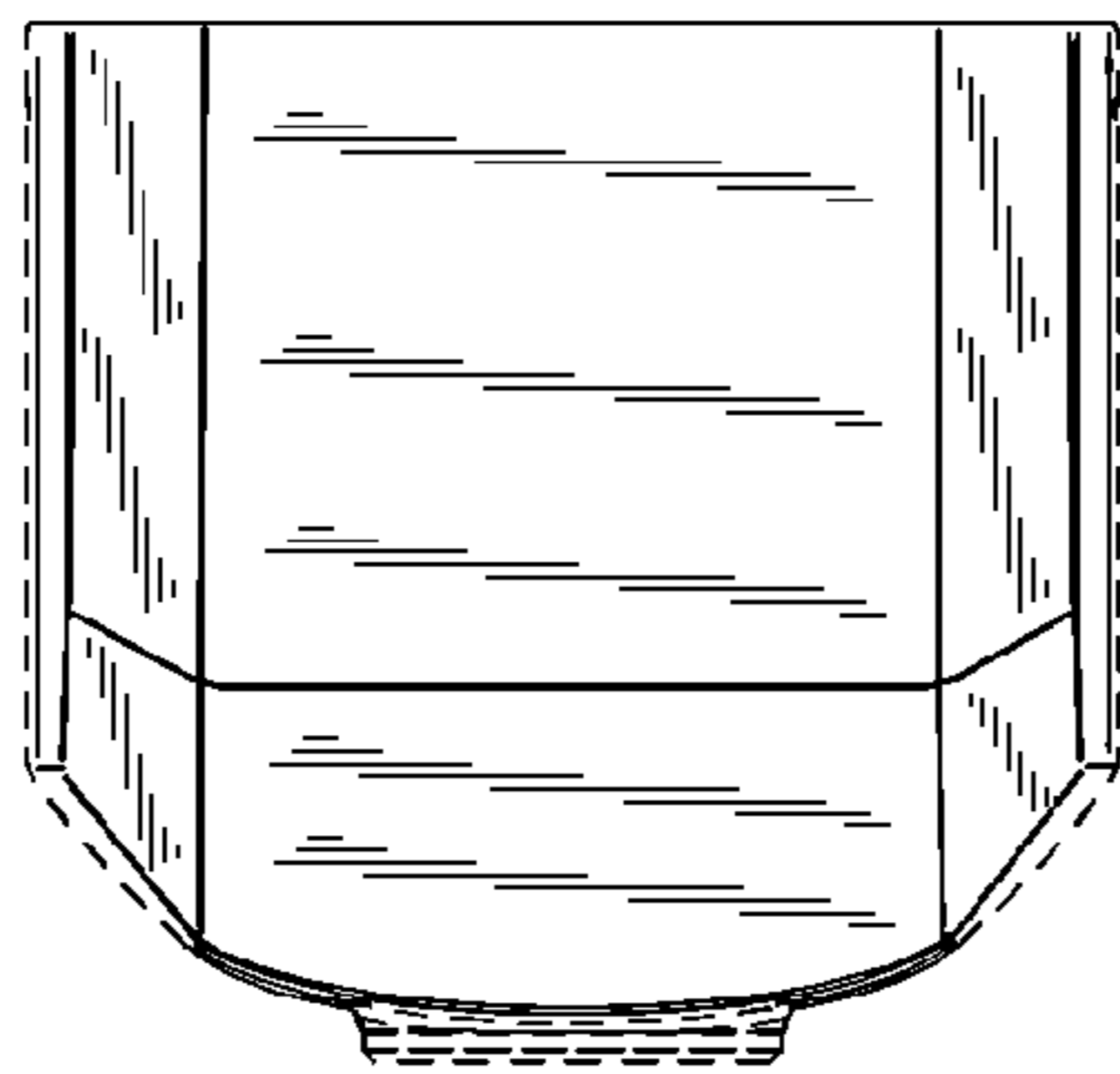


FIG. 7