



US00D691500S

(12) **United States Design Patent**
Ryan et al.

(10) **Patent No.:** **US D691,500 S**
(45) **Date of Patent:** **** Oct. 15, 2013**

(54) **CORNER SENSOR**

702/127, 131, 182, 183, 189; 600/437, 443,
600/453, 459, 465, 479, 500, 502, 595, 485,
600/481, 483; D26/60-66, 51, 72

(71) Applicant: **Sentry Protection Products**, Lakewood,
OH (US)

See application file for complete search history.

(72) Inventors: **James P. Ryan**, Lakewood, OH (US);
Jeffrey P. Wagner, Greenfield, IN (US)

(56) **References Cited**

(73) Assignee: **Sentry Protection Products**, Lakewood,
OH (US)

U.S. PATENT DOCUMENTS

(**) Term: **14 Years**

D563,253 S 3/2008 Garner
7,726,834 B2* 6/2010 Senkyr 362/223

(Continued)

(21) Appl. No.: **29/443,330**

OTHER PUBLICATIONS

(22) Filed: **Jan. 16, 2013**

Crossing Guard, "One Day Crossing Guard Will Save A Life" Cross-
ing Guard Sell Sheet; www.crossingguardsafety.com (Feb. 2012).
Collision Awareness, "Alert Employees of Dangerous Collisions
Before They Occur" Brochure; www.collisionawareness.com
(2009).
Corner Zone, photograph (2007).

(51) **LOC (9) Cl.** **10-04**

(52) **U.S. Cl.**
USPC **D10/70; D10/106.8**

(58) **Field of Classification Search**

USPC D10/65, 70, 75, 78, 106.8; D14/138 R,
D14/138 AA, 138 AB, 138 AC, 138 AD,
D14/341-347, 507-510, 136, 167, 168, 496,
D14/498, 499, 500, 125-134, 239, 371,
D14/374-377, 440, 450, 448, 336, 342;
343/702; 345/87, 104, 133, 156, 168,
345/173, 901-905, 165; 348/180, 184, 315,
348/739, 836, 838, 325; 364/444, 499;
701/408-418, 431, 432, 537; 312/7.2;
341/12; 720/605, 669, 600, 655;
369/99, 197; 455/344, 347, 575.1;
250/221, 338.3, 340, 239, 342, 341,
250/DIG. 1, 353; 307/116, 117; 340/521,
340/527, 541, 567, 540, 568.2, 539.23, 635,
340/687; 315/159; 324/72.5, 556, 133, 149,
324/503, 543, 555, 66, 72, 754, 115, 141,
324/522; 73/615, 624, 627, 644, 514.33,
73/514.34, 510, 513, 527, 530;
356/3.01-5.15; 235/105; 377/5, 24.2,
377/26; 702/155, 160, 176, 78, 79, 82,
702/91-95, 104, 116, 141, 150, 151, 154,

Primary Examiner — Antoine D Davis

(74) *Attorney, Agent, or Firm* — Wegman, Hessler &
Vanderburg

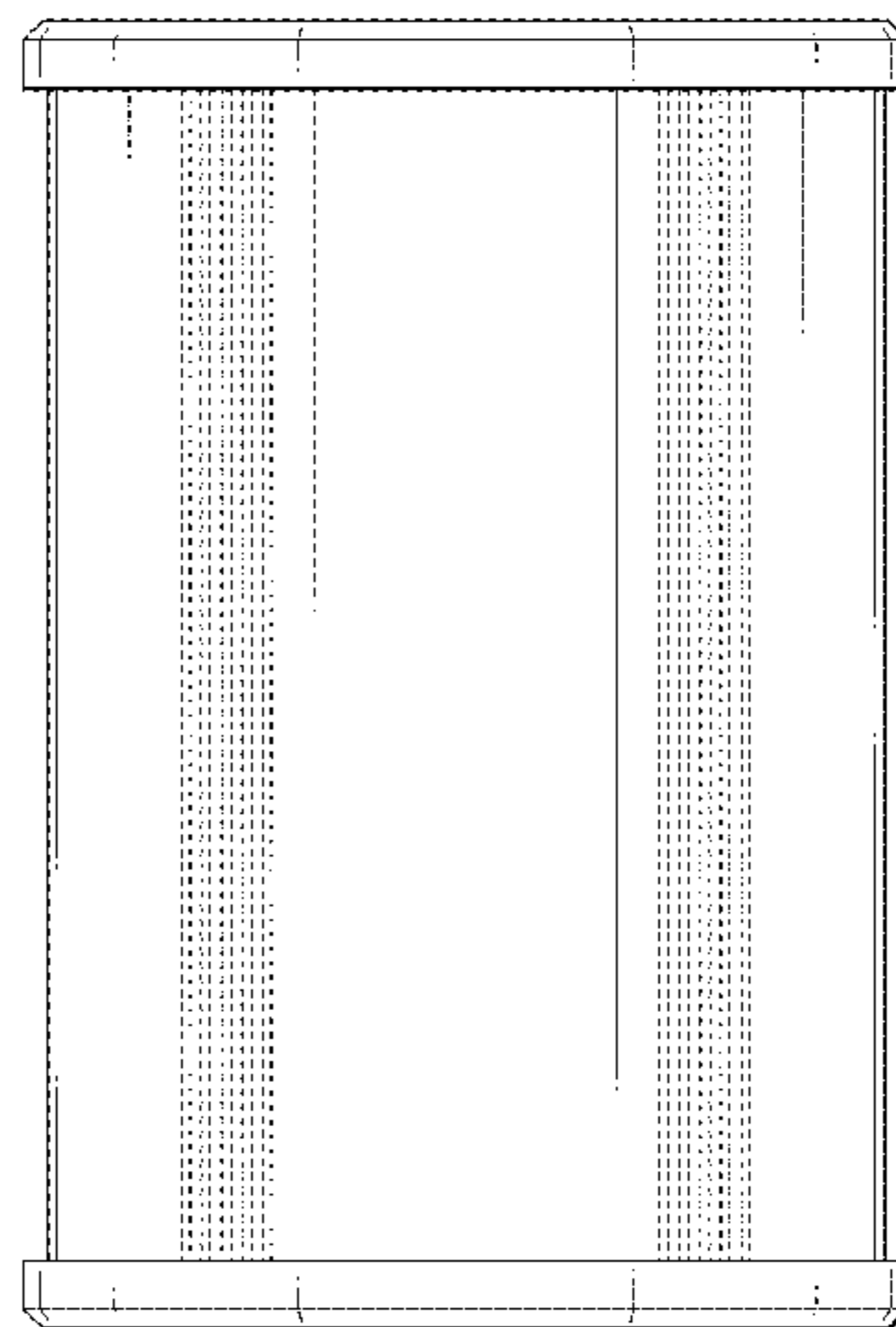
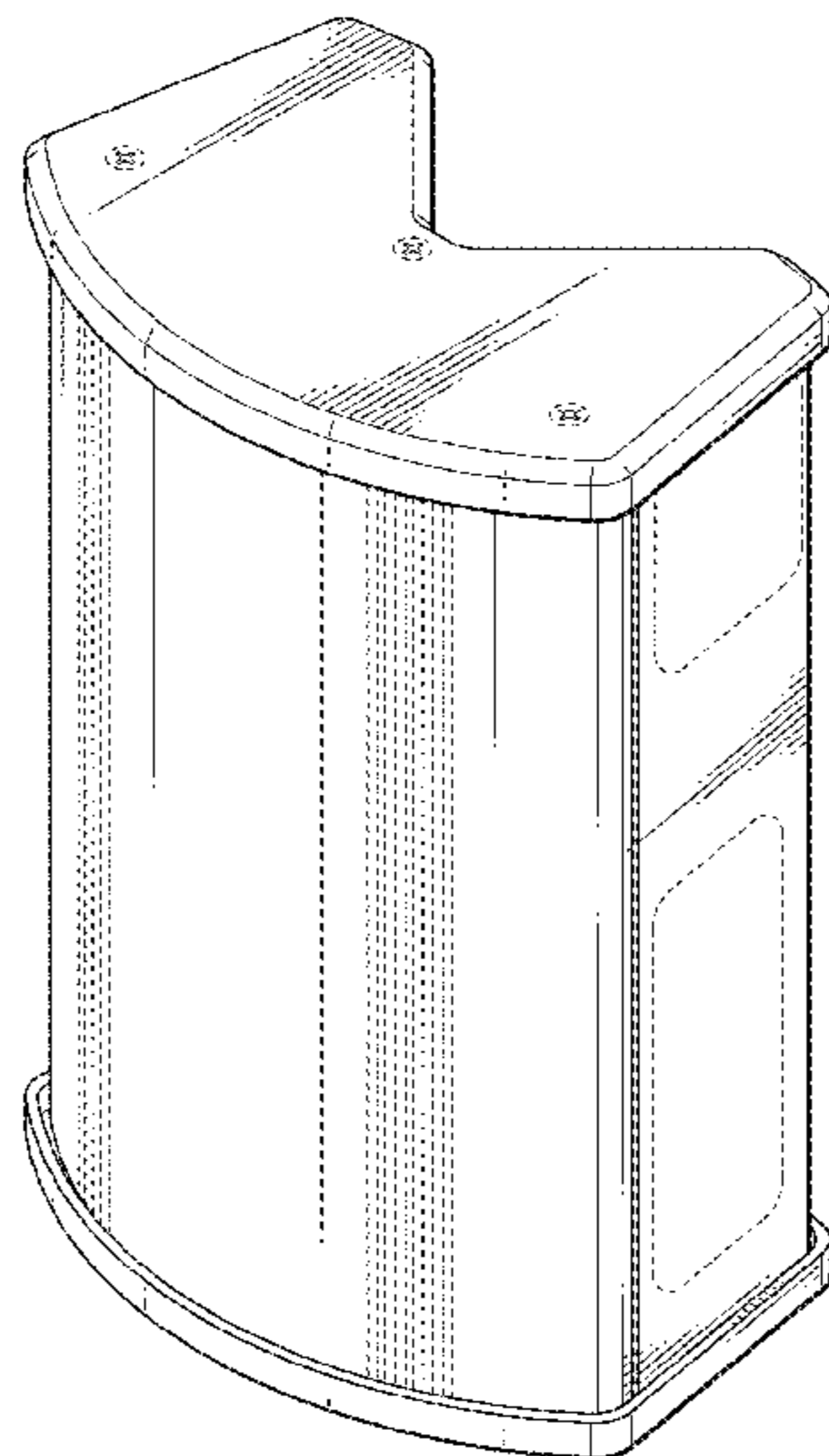
(57) **CLAIM**

We claim the ornamental design for a corner sensor, as shown
and described.

DESCRIPTION

FIG. 1 is a top perspective view of a corner sensor of the
present invention;
FIG. 2 is front view thereof;
FIG. 3 is a right side view thereof;
FIG. 4 is a left side view thereof;
FIG. 5 is a rear view thereof;
FIG. 6 is a top view thereof; and,
FIG. 7 is a bottom view thereof.
The ornamental design which is claimed is shown in solid
lines in the drawings. Any broken lines in the drawings are for
illustrative purposes only and form no part of the claimed
design.

1 Claim, 3 Drawing Sheets



US D691,500 S

Page 2

(56)

References Cited

U.S. PATENT DOCUMENTS

2007/0024433	A1	2/2007	Garner	
2009/0284964	A1*	11/2009	Senkyr	362/223
2010/0128469	A1*	5/2010	Senkyr	362/147
7,866,843	B2*	1/2011	Senkyr	362/223

* cited by examiner

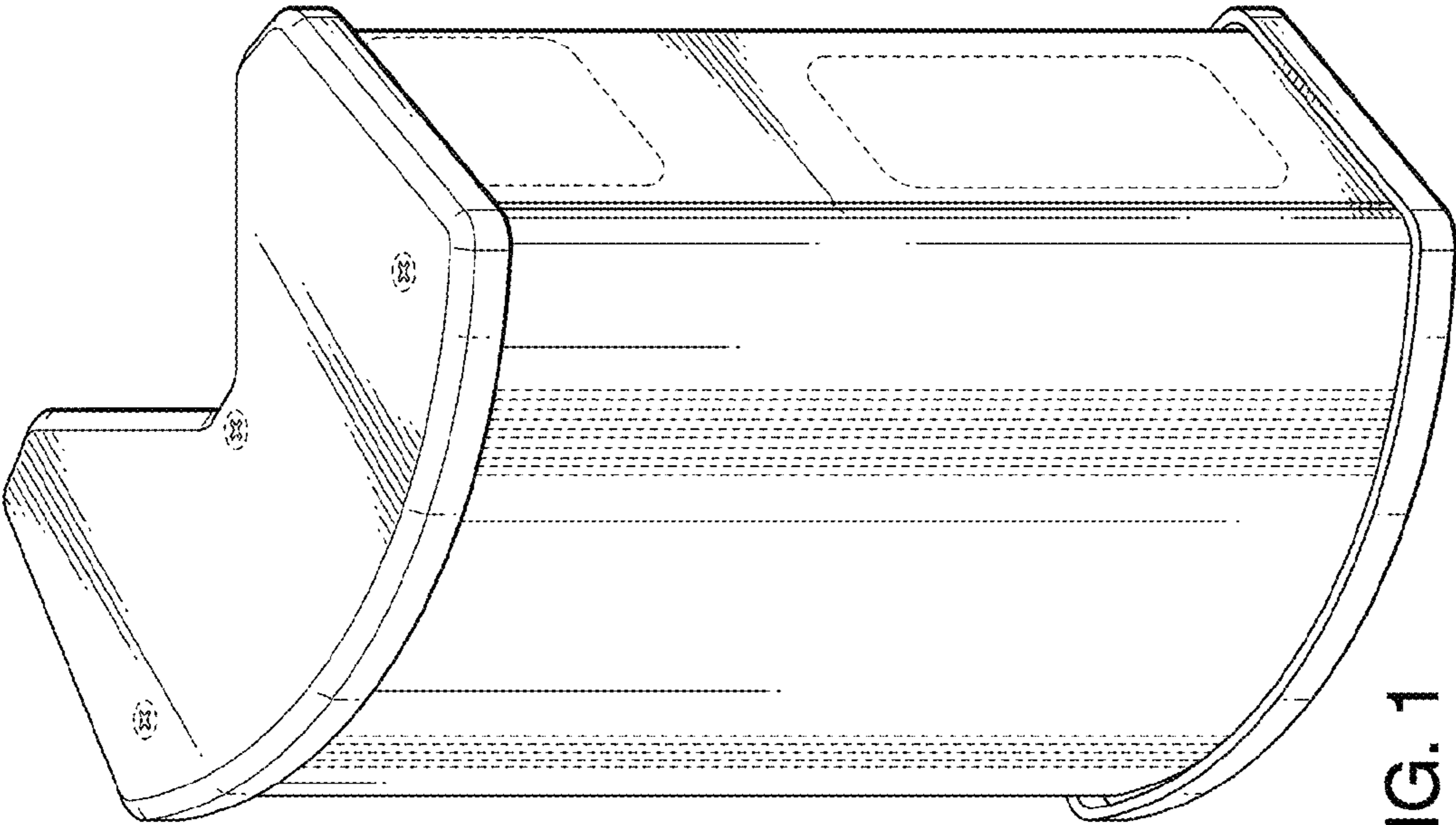


FIG. 1

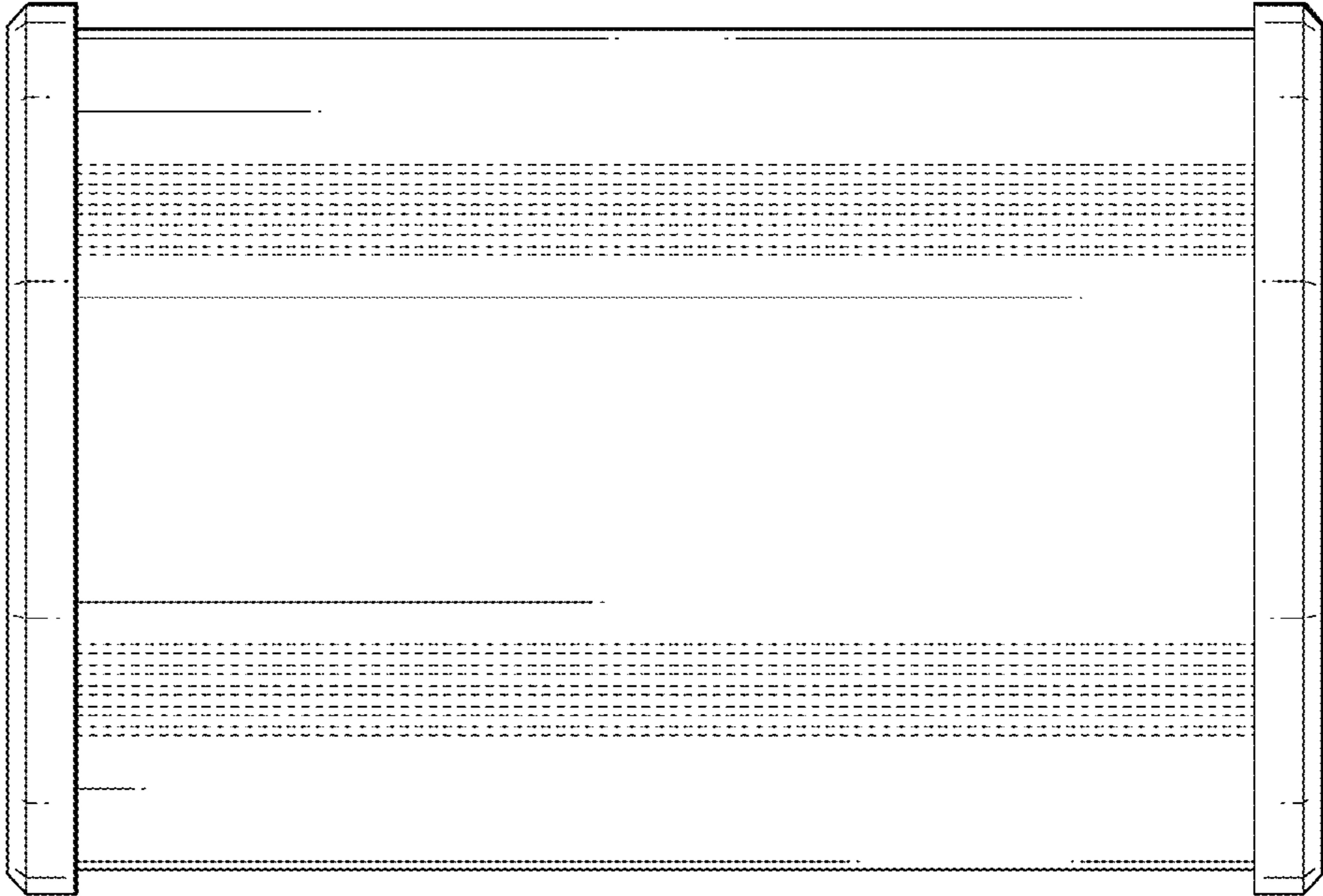


FIG. 2

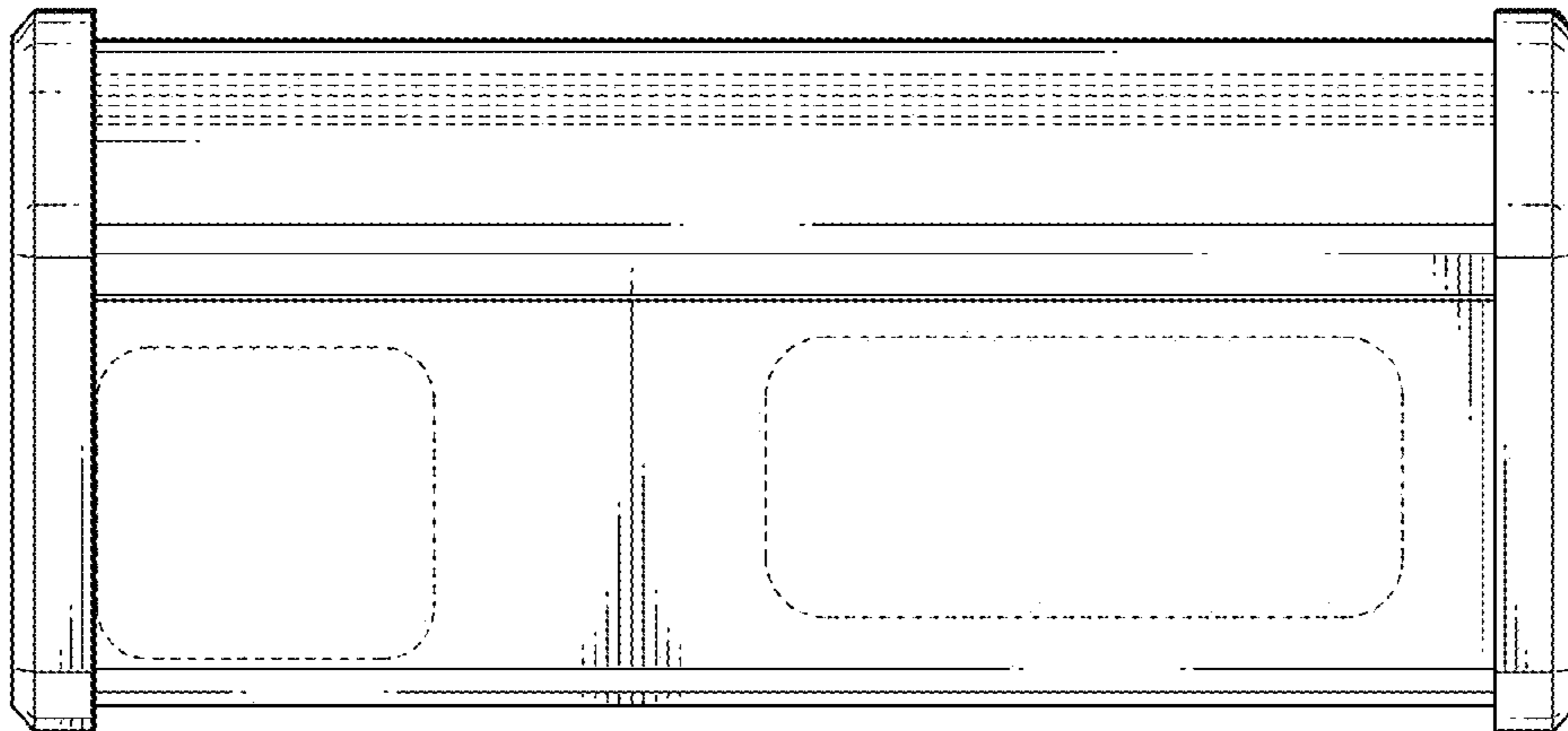


FIG. 4

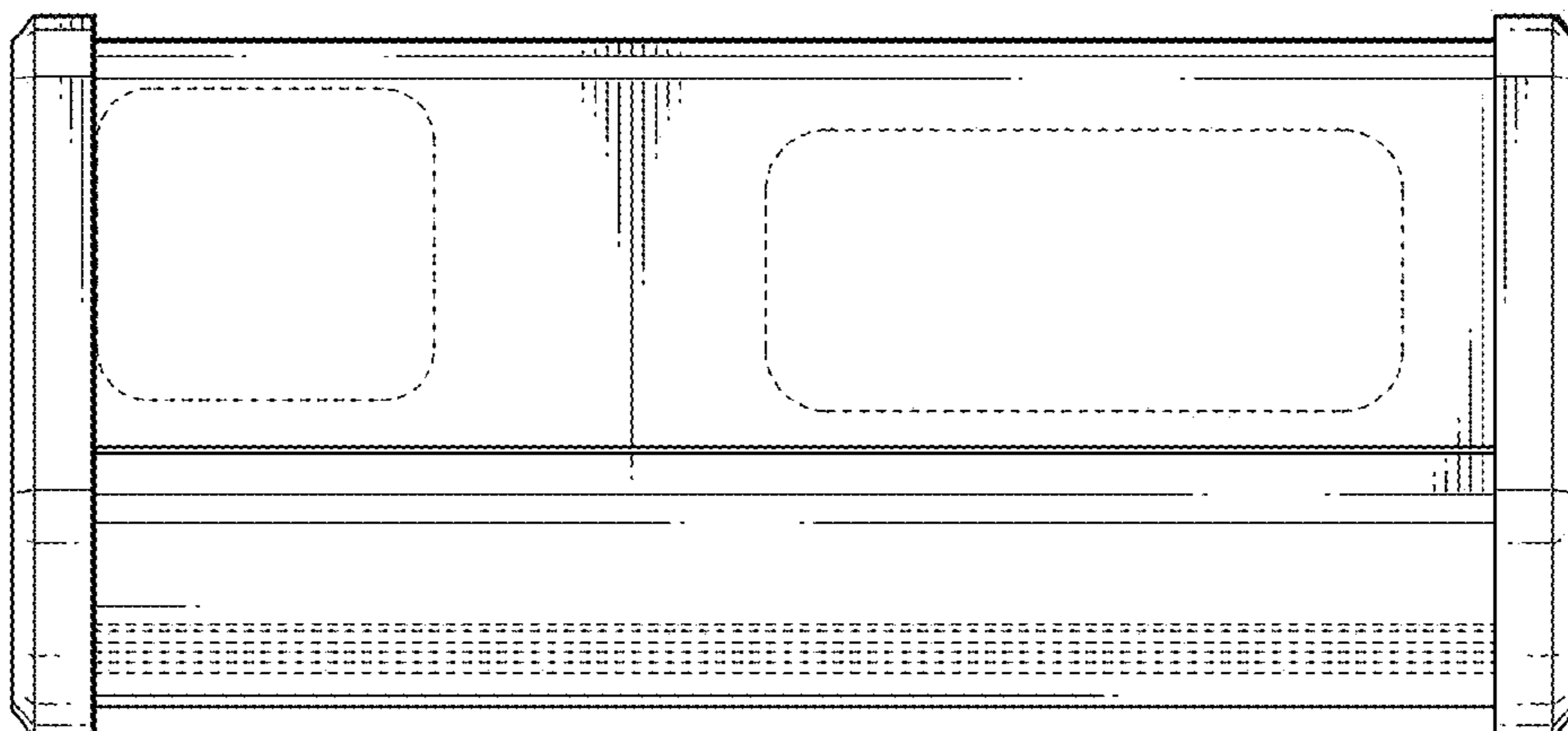


FIG. 3

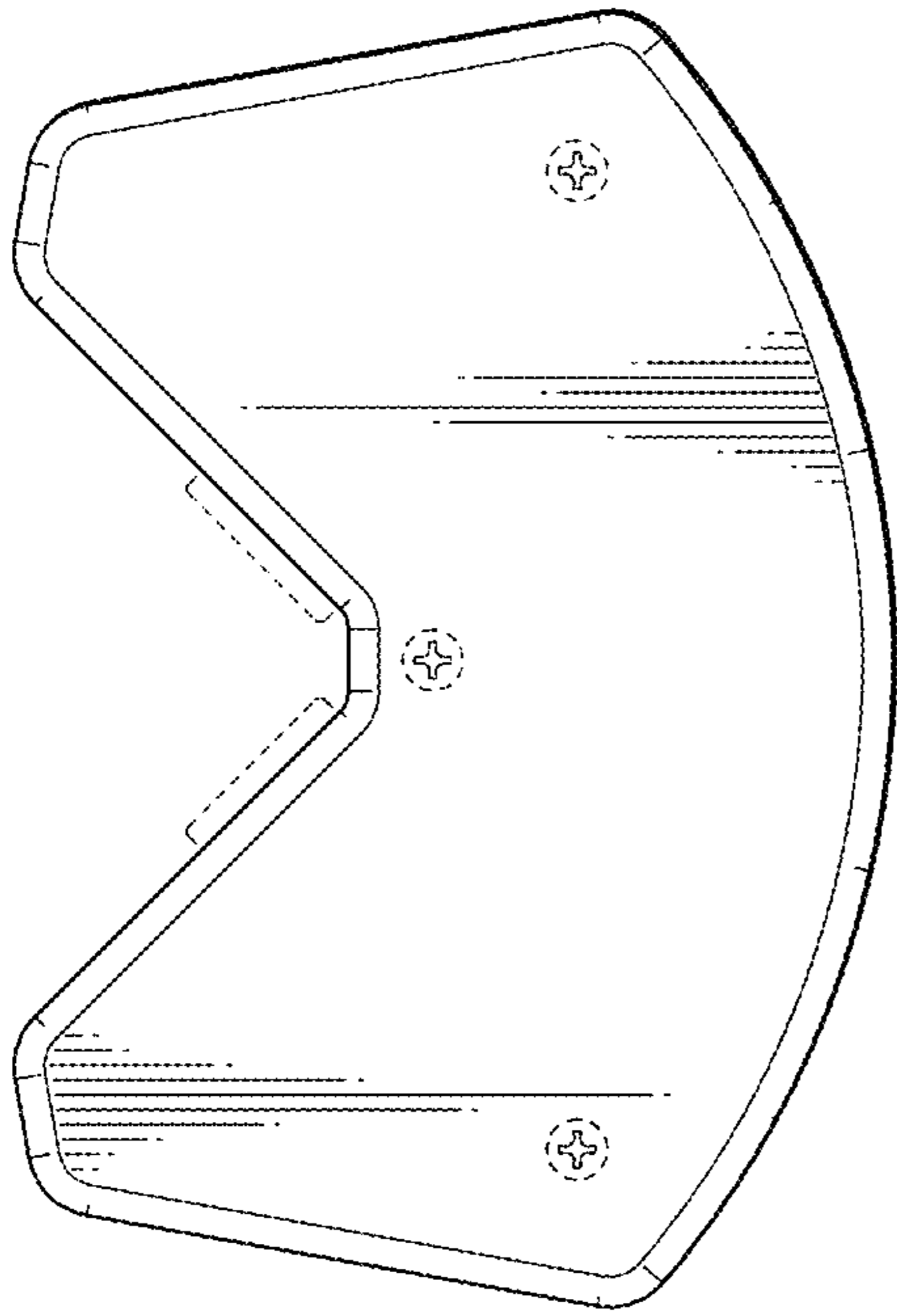


FIG. 6

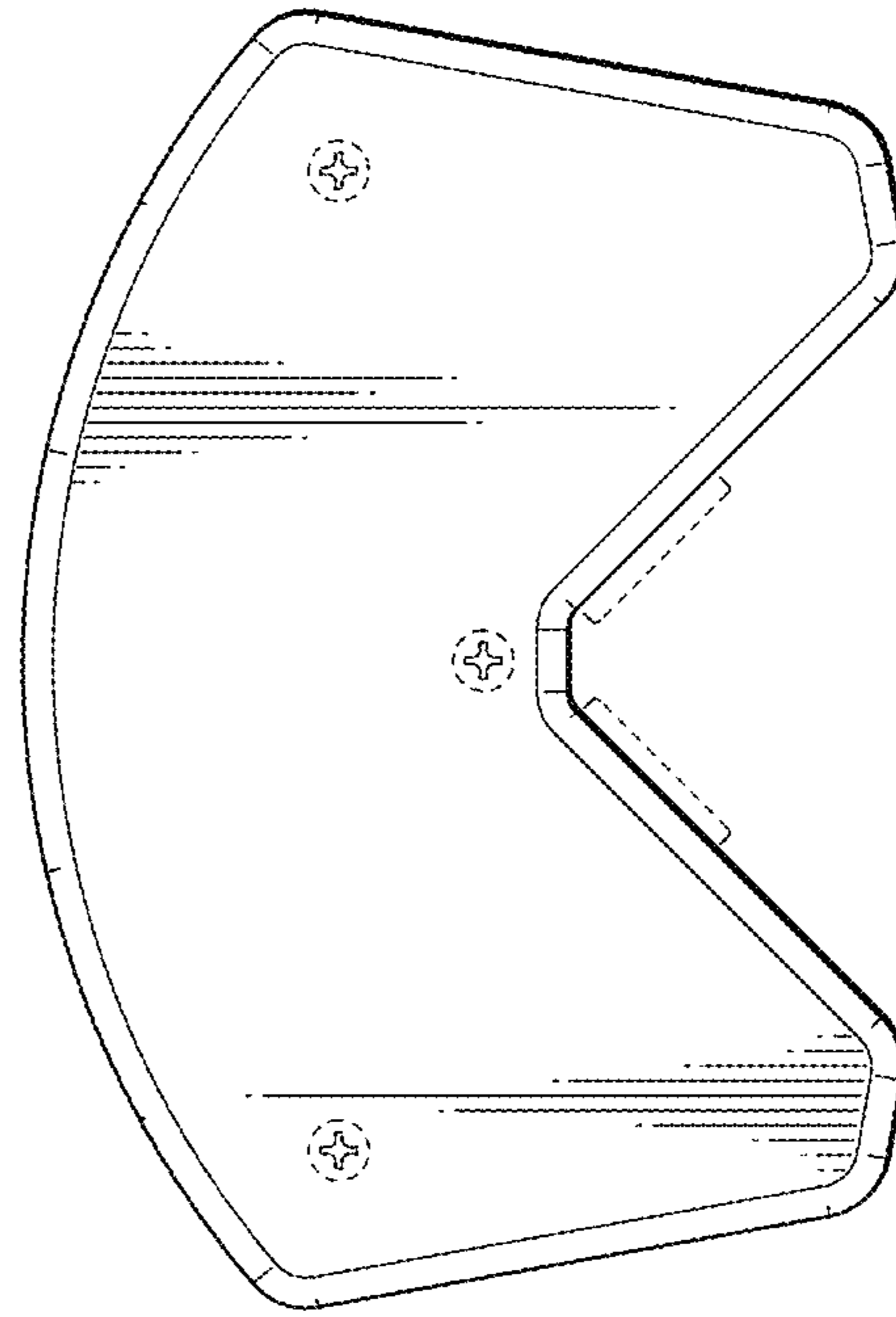


FIG. 7

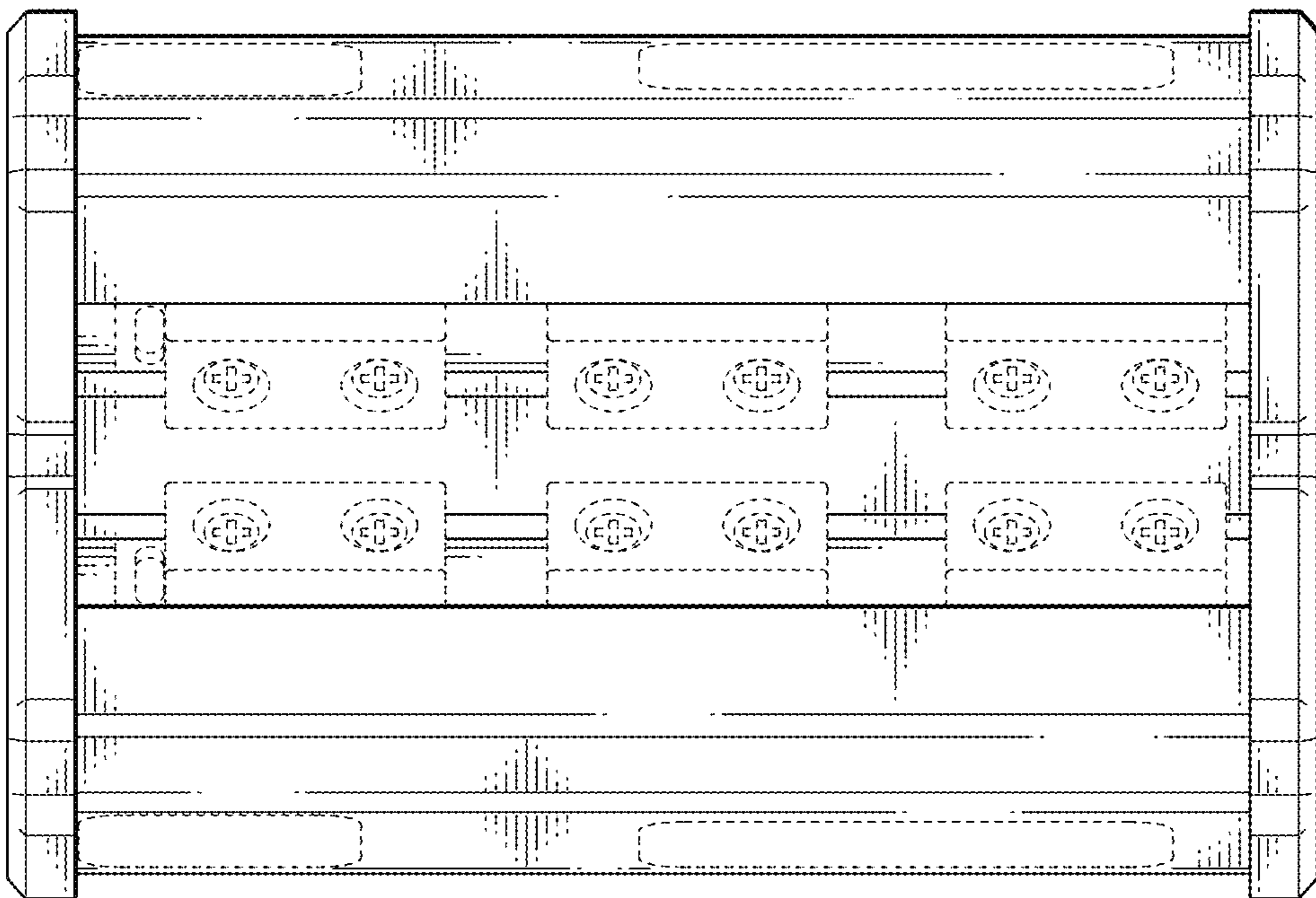


FIG. 5