

US00D691498S

(12) **United States Design Patent**
Bailey et al.

(10) **Patent No.:** **US D691,498 S**
(45) **Date of Patent:** **** *Oct. 15, 2013**

(54) **MEASUREMENT DEVICE**

(75) Inventors: **Brent Bailey**, Winter Springs, FL (US);
Marc M. Barber, Deltona, FL (US);
Clark H. Briggs, DeLand, FL (US);
David M. Danielson, Sorrento, FL (US);
Orlando Perez, Lake Mary, FL (US)

(73) Assignee: **Faro Technologies, Inc.**, Lake Mary, FL (US)

(*) Notice: This patent is subject to a terminal disclaimer.

(**) Term: **14 Years**

(21) Appl. No.: **29/412,904**

(22) Filed: **Feb. 9, 2012**

Related U.S. Application Data

(62) Division of application No. 29/379,170, filed on Nov. 16, 2010, now Pat. No. Des. 662,427.

(51) **LOC (9) Cl.** **10-04**

(52) **U.S. Cl.**
USPC **D10/63; D15/199**

(58) **Field of Classification Search**
USPC D10/63; D15/199; 33/503-505,
33/558; 319/560; 700/245, 262, 195, 80;
702/150-156, 94, 95, 167-169
See application file for complete search history.

(56) **References Cited**

U.S. PATENT DOCUMENTS

1,538,758 A 5/1925 Taylor
5,768,792 A 6/1998 Raab

(Continued)

FOREIGN PATENT DOCUMENTS

EP 2068067 6/2009
EP 2068114 6/2009
WO 2009130169 10/2009

Primary Examiner — Antoine D Davis
(74) *Attorney, Agent, or Firm* — Cantor Colburn LLP

(57) **CLAIM**

We claim, the ornamental design for a measurement device, as shown and described.

DESCRIPTION

FIG. 1 is a front plan view of a third embodiment the invention;
FIG. 2 is a rear plan view of the embodiment of FIG. 1;
FIG. 3 is a first side plan view of the embodiment of FIG. 1;
FIG. 4 is a second side plan view of the embodiment of FIG. 1;
FIG. 5 is a bottom plan view of the embodiment of FIG. 1;
FIG. 6 is a top plan view of the embodiment of FIG. 1;
FIG. 7 is a first perspective view of the embodiment of FIG. 1;
FIG. 8 is a second perspective view of the embodiment of FIG. 1; and,
FIG. 9 is a third perspective view of the embodiment of FIG. 1.

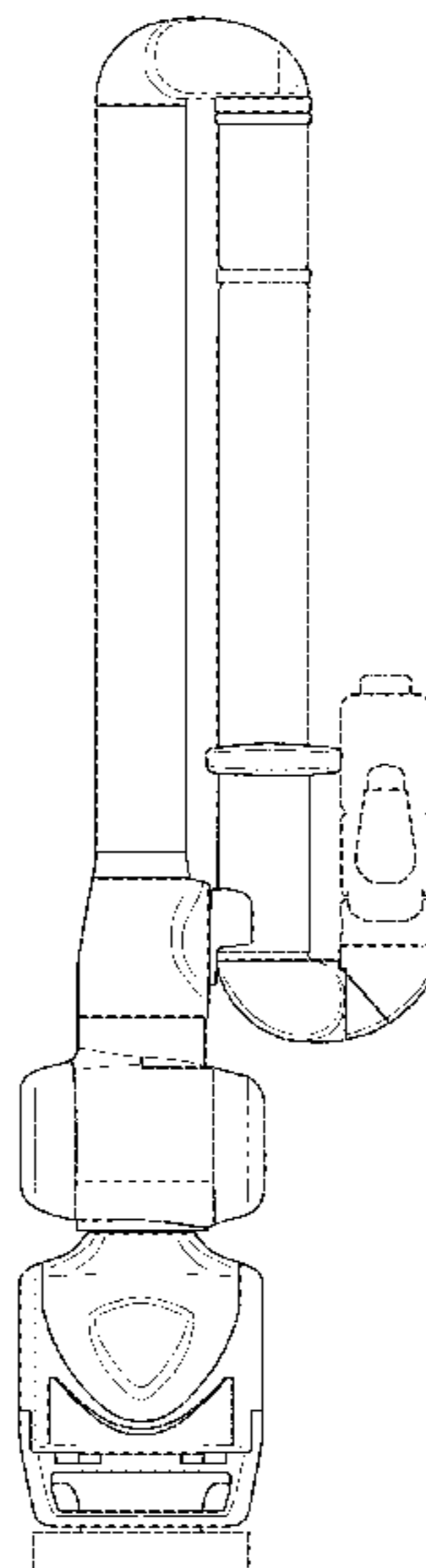
The phantom lines shown in FIG. 1-FIG. 9 are environmental and not part of the claimed design.

The color and shading shown in FIG. 1-FIG. 9 forms no part of the claimed design, the measurement device according to the claimed design may be any color or combination of colors.

The surface treatment shown in FIG. 1-FIG. 9 forms no part of the claimed design, the measurement device of the claimed design may have any surface treatment.

References to “side”, “top”, “front”, “rear” and “bottom” in the figure descriptions are not meant to require certain in-use orientation; a measurement device according to the claimed design may be used in any orientation.

1 Claim, 5 Drawing Sheets



(56)

References Cited

U.S. PATENT DOCUMENTS

5,926,782 A 7/1999 Raab
 5,956,857 A 9/1999 Raab
 5,978,748 A 11/1999 Raab
 D423,534 S 4/2000 Raab et al.
 6,131,299 A 10/2000 Raab et al.
 6,151,789 A 11/2000 Raab et al.
 D441,632 S 5/2001 Raab et al.
 6,253,458 B1 7/2001 Raab et al.
 6,366,831 B1* 4/2002 Raab 700/262
 6,497,394 B1 12/2002 Dunchock
 D472,824 S* 4/2003 Raab et al. D10/63
 D479,544 S* 9/2003 Raab et al. D15/199
 D490,831 S* 6/2004 Raab et al. D15/199
 D491,210 S 6/2004 Raab et al.
 6,931,745 B2 8/2005 Granger
 7,024,032 B2 4/2006 Kidd et al.
 7,174,651 B2 2/2007 Raab et al.
 7,246,030 B2 7/2007 Raab et al.
 7,269,910 B2 9/2007 Raab et al.
 D551,943 S 10/2007 Hodjat et al.
 7,296,364 B2 11/2007 Seitz et al.
 7,296,955 B2 11/2007 Dreier
 7,296,979 B2 11/2007 Raab et al.
 D559,657 S 1/2008 Wohlford et al.
 7,525,276 B2 4/2009 Eaton
 7,568,293 B2 8/2009 Ferrari

D599,226 S 9/2009 Gerent et al.
 7,624,510 B2 12/2009 Ferrari
 D607,350 S* 1/2010 Cooduvalli et al. D10/63
 D610,926 S 3/2010 Gerent et al.
 7,693,325 B2 4/2010 Pulla et al.
 7,743,524 B2 6/2010 Eaton et al.
 7,779,548 B2 8/2010 Ferrari
 7,779,553 B2 8/2010 Jordil et al.
 RE42,082 E 2/2011 Raab et al.
 7,881,896 B2 2/2011 Atwell et al.
 D643,319 S* 8/2011 Ferrari et al. D10/63
 8,001,697 B2 8/2011 Danielson et al.
 8,028,432 B2 10/2011 Bailey et al.
 D659,035 S* 5/2012 Ferrari et al. D10/63
 D662,427 S* 6/2012 Bailey et al. D10/63
 8,284,407 B2 10/2012 Briggs et al.
 D676,341 S 2/2013 Bailey et al.
 D678,085 S 3/2013 Bailey et al.
 2006/0186301 A1 8/2006 Dozier et al.
 2006/0291970 A1 12/2006 Granger
 2008/0052936 A1 3/2008 Briggs et al.
 2008/0148585 A1 6/2008 Raab et al.
 2009/0083985 A1 4/2009 Ferrari
 2009/0249634 A1 10/2009 Pettersson
 2010/0095542 A1 4/2010 Ferrari
 2010/0208062 A1 8/2010 Pettersson
 2010/0325907 A1 12/2010 Tait

* cited by examiner

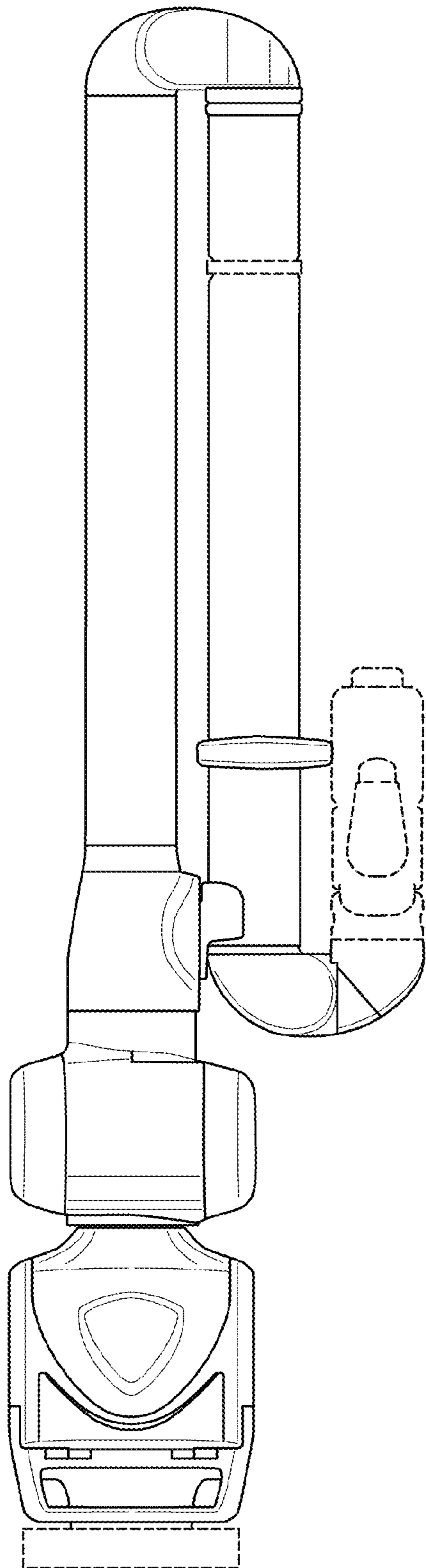


FIG. 1

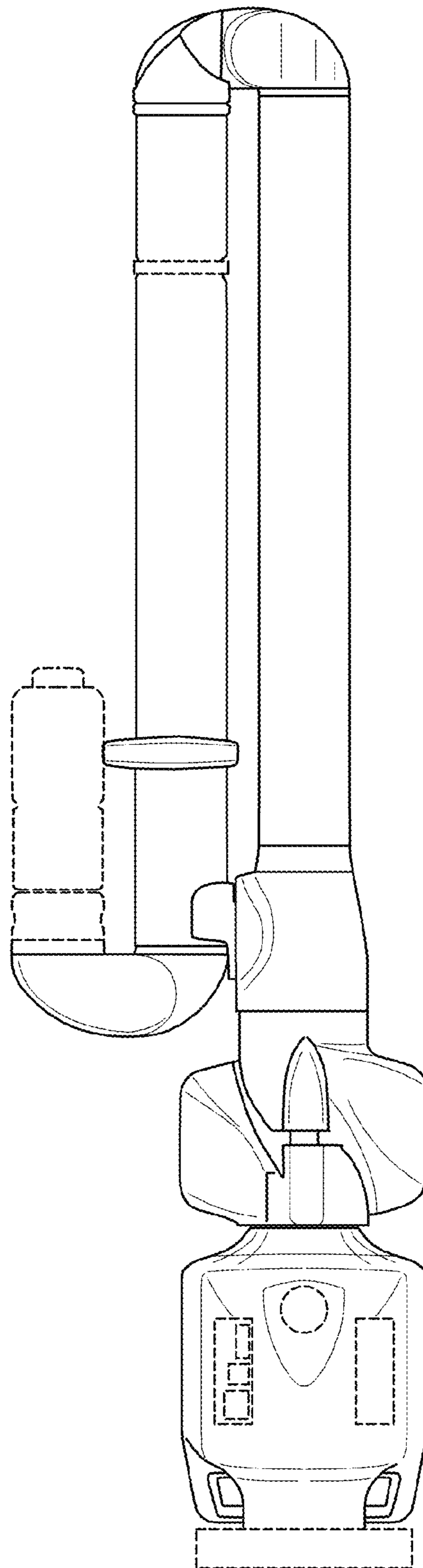


FIG. 2

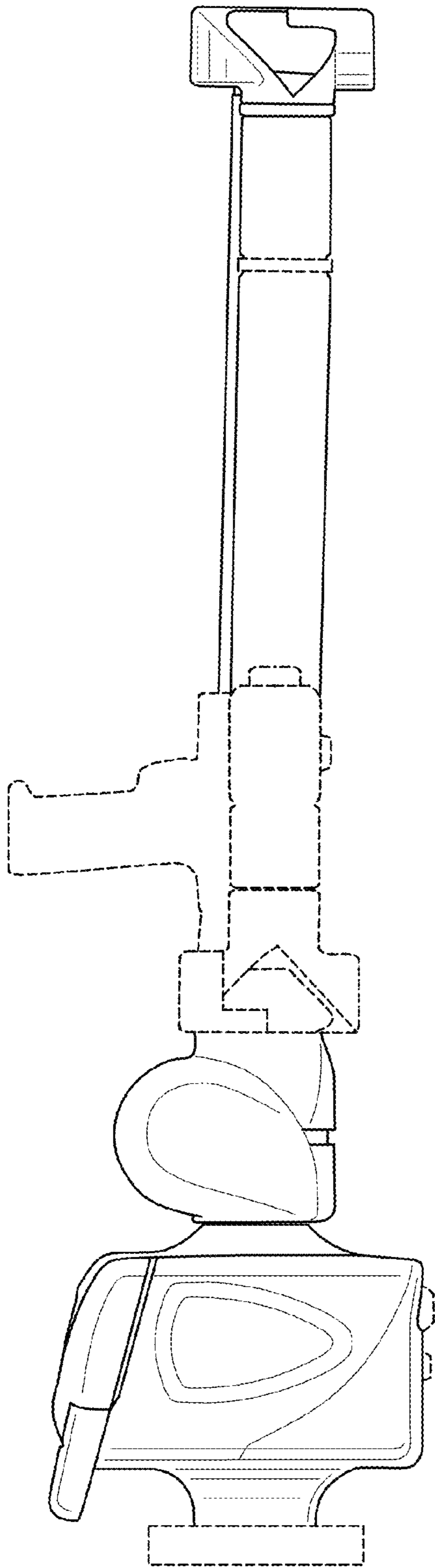


FIG. 3

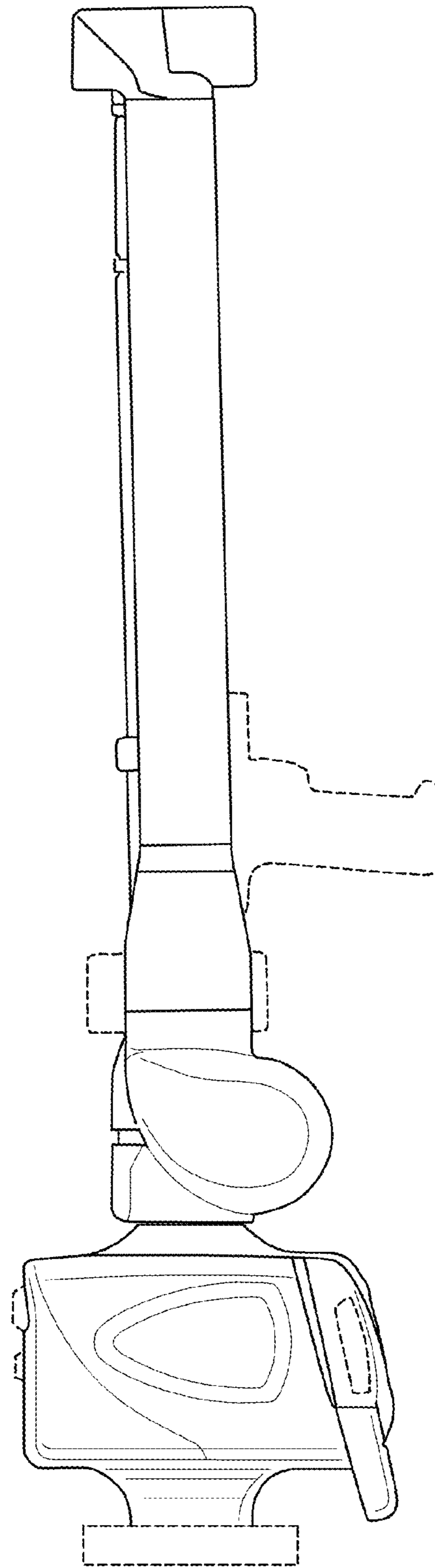


FIG. 4

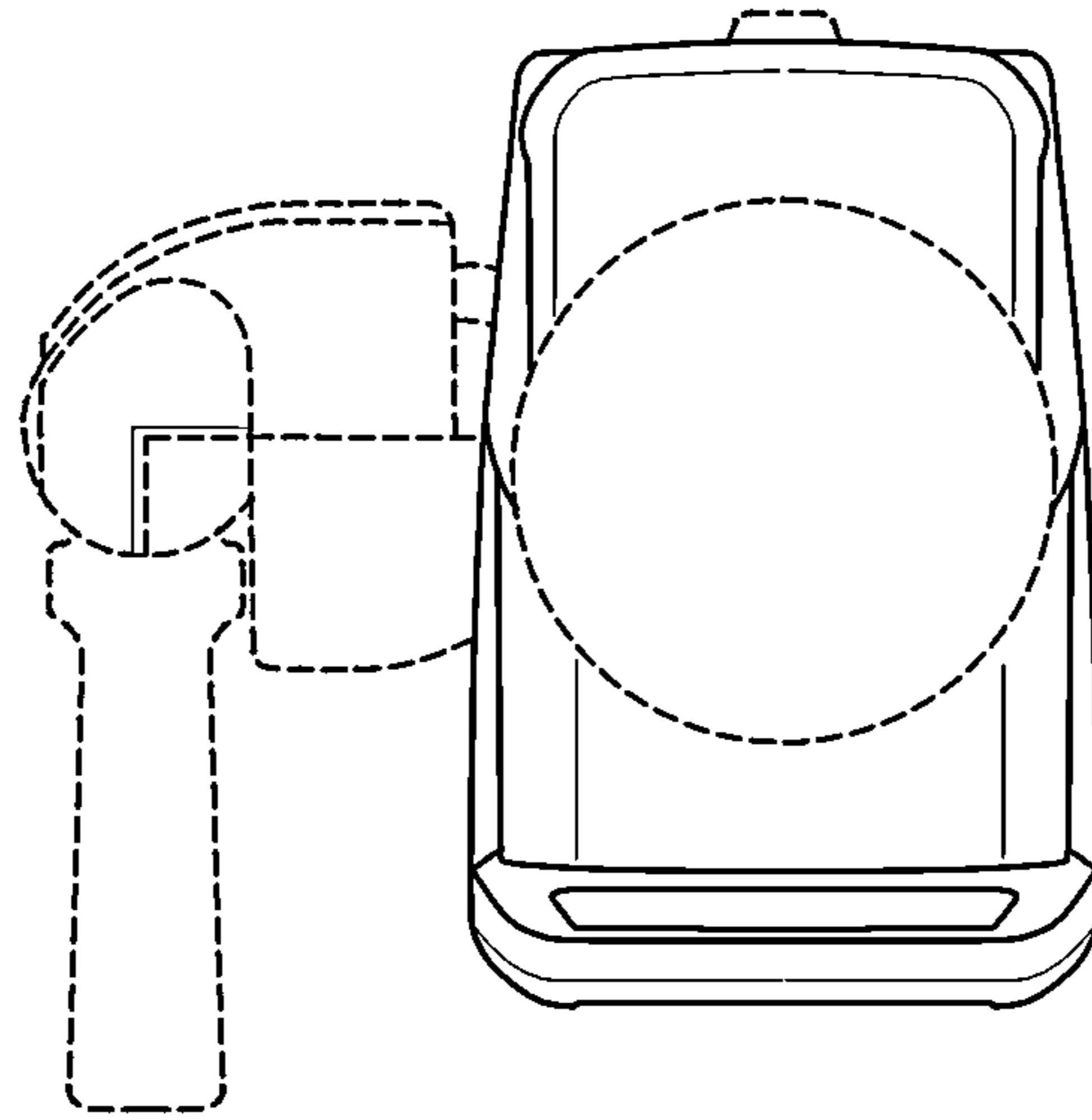


FIG. 5

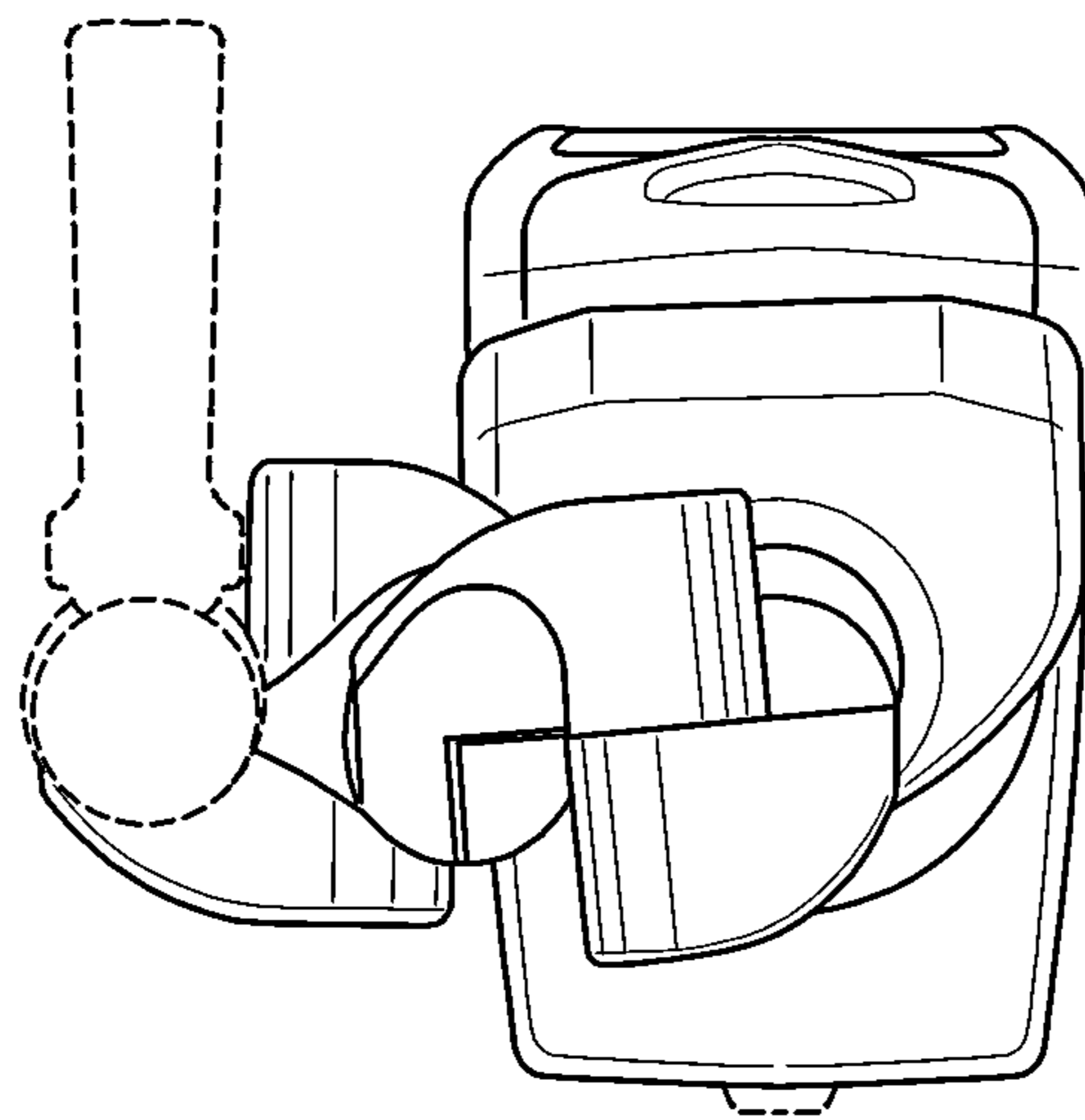


FIG. 6

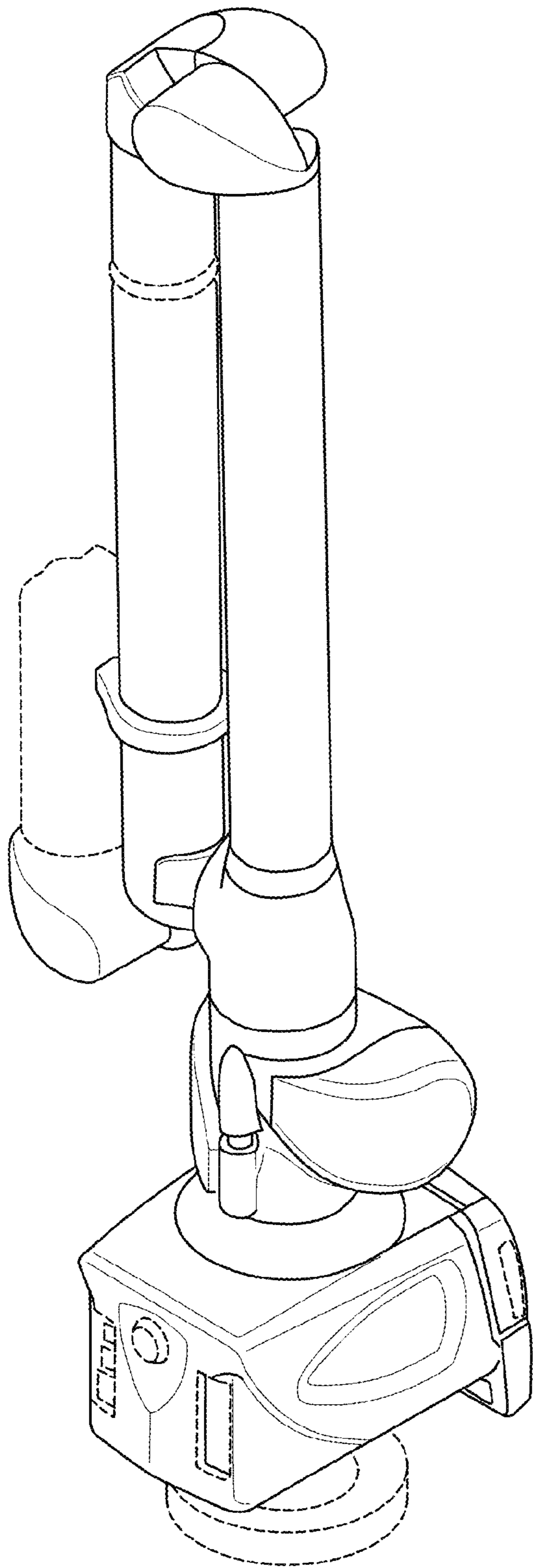


FIG. 7

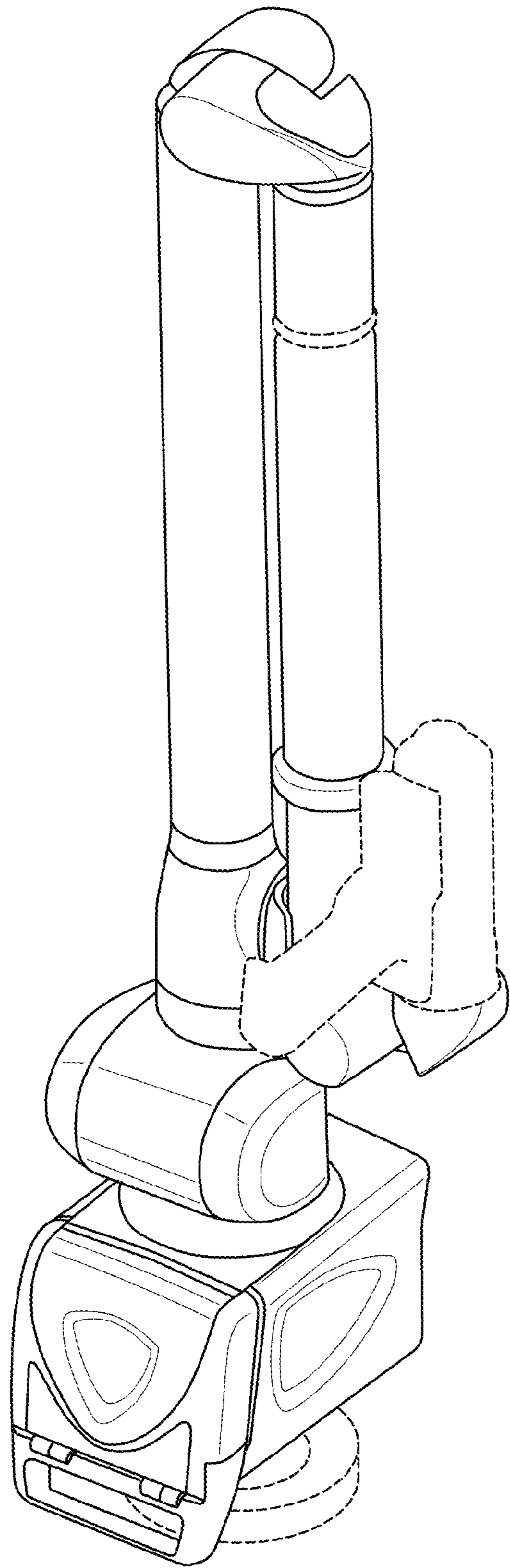


FIG. 8

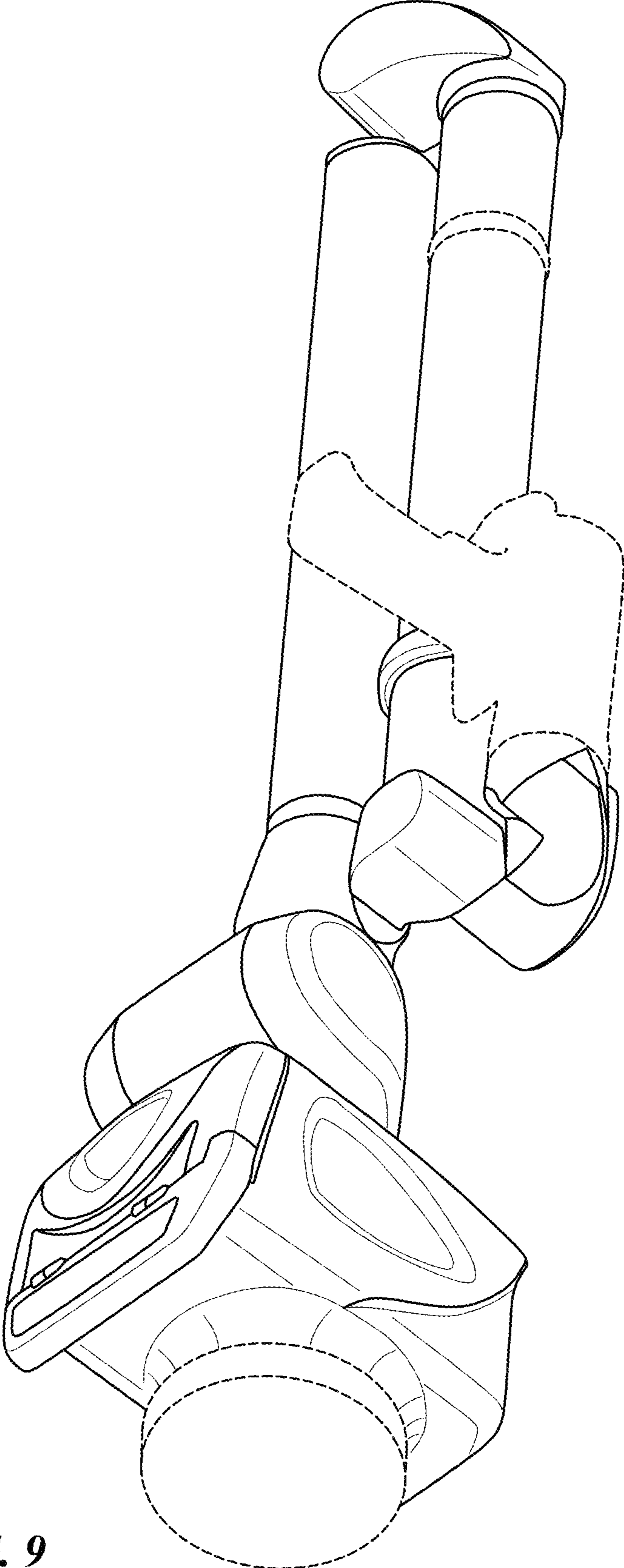


FIG. 9