

US00D691497S

(12) **United States Design Patent**
Jambor et al.

(10) **Patent No.:** **US D691,497 S**

(45) **Date of Patent:** **** Oct. 15, 2013**

(54) **TEMPERATURE SENSOR WITH HANDLE**

(75) Inventors: **George Jambor**, Richmond, IL (US);
Scott Stilin, Richmond, IL (US); **Ryan Affara**,
Richmond, IL (US); **Arthur Volbrecht**, Richmond,
IL (US); **Michael Karpa**, Richmond, IL (US)

(73) Assignee: **Watlow Electric Manufacturing Company**,
St. Louis, MO (US)

(**) Term: **14 Years**

(21) Appl. No.: **29/424,458**

(22) Filed: **Jun. 12, 2012**

(51) **LOC (9) Cl.** **10-04**

(52) **U.S. Cl.**
USPC **D10/60**

(58) **Field of Classification Search**
USPC D10/57, 60; 374/1-209,
374/E1.011-E1.017; 356/73; 600/549
See application file for complete search history.

(56) **References Cited**

U.S. PATENT DOCUMENTS

D228,949 S *	10/1973	Schwartzstein	D10/57
D300,909 S *	5/1989	Thornburg et al.	D10/60
D307,558 S *	5/1990	Messina et al.	D10/57
D460,923 S *	7/2002	Chen	D10/52
D480,977 S *	10/2003	Wawro et al.	D10/60
D507,977 S *	8/2005	Welch et al.	D10/57
D512,924 S *	12/2005	Ikeda	D10/60
D560,126 S *	1/2008	Frake et al.	D10/57

D560,518 S *	1/2008	Frake et al.	D10/57
D586,243 S *	2/2009	Park	D10/57
D597,423 S *	8/2009	Park	D10/52
D660,188 S *	5/2012	Martin et al.	D10/60

* cited by examiner

Primary Examiner — Antoine D Davis

(74) *Attorney, Agent, or Firm* — Brinks Hofer Gilson & Lione

(57) **CLAIM**

The ornamental design for a temperature sensor with handle,
as shown and described.

DESCRIPTION

FIG. 1 is a rear perspective view of the temperature sensor with handle;
FIG. 2 is front perspective view thereof;
FIG. 3 is a front view thereof;
FIG. 4 is a rear view thereof;
FIG. 5 is a right side view thereof;
FIG. 6 is a left side view thereof;
FIG. 7 is a top view thereof; and,
FIG. 8 is a bottom view thereof.

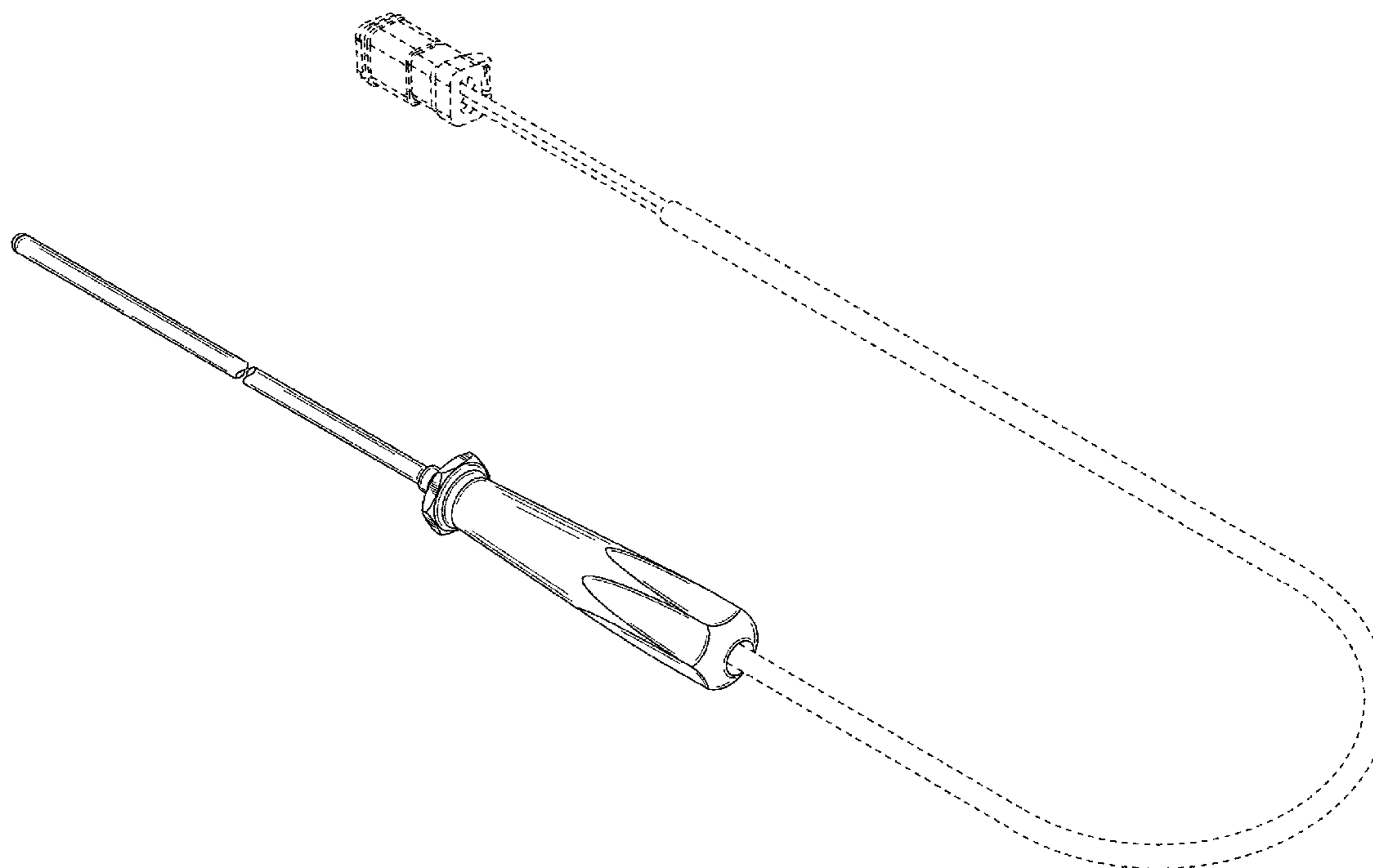
The broken lines are included for the purpose of illustrating environmental structure and form no part of the claimed design.

A portion of the temperature sensor with handle is shown broken away to indicate the design has no specific length.

The shade lines on the surface portions indicate contour and not surface decoration.

References to “side”, “top”, “bottom,” “front,” and “rear” in the figure descriptions are not meant to require certain in-use orientation; a temperature sensor with handle according to the claimed design may be used in any orientation.

1 Claim, 8 Drawing Sheets



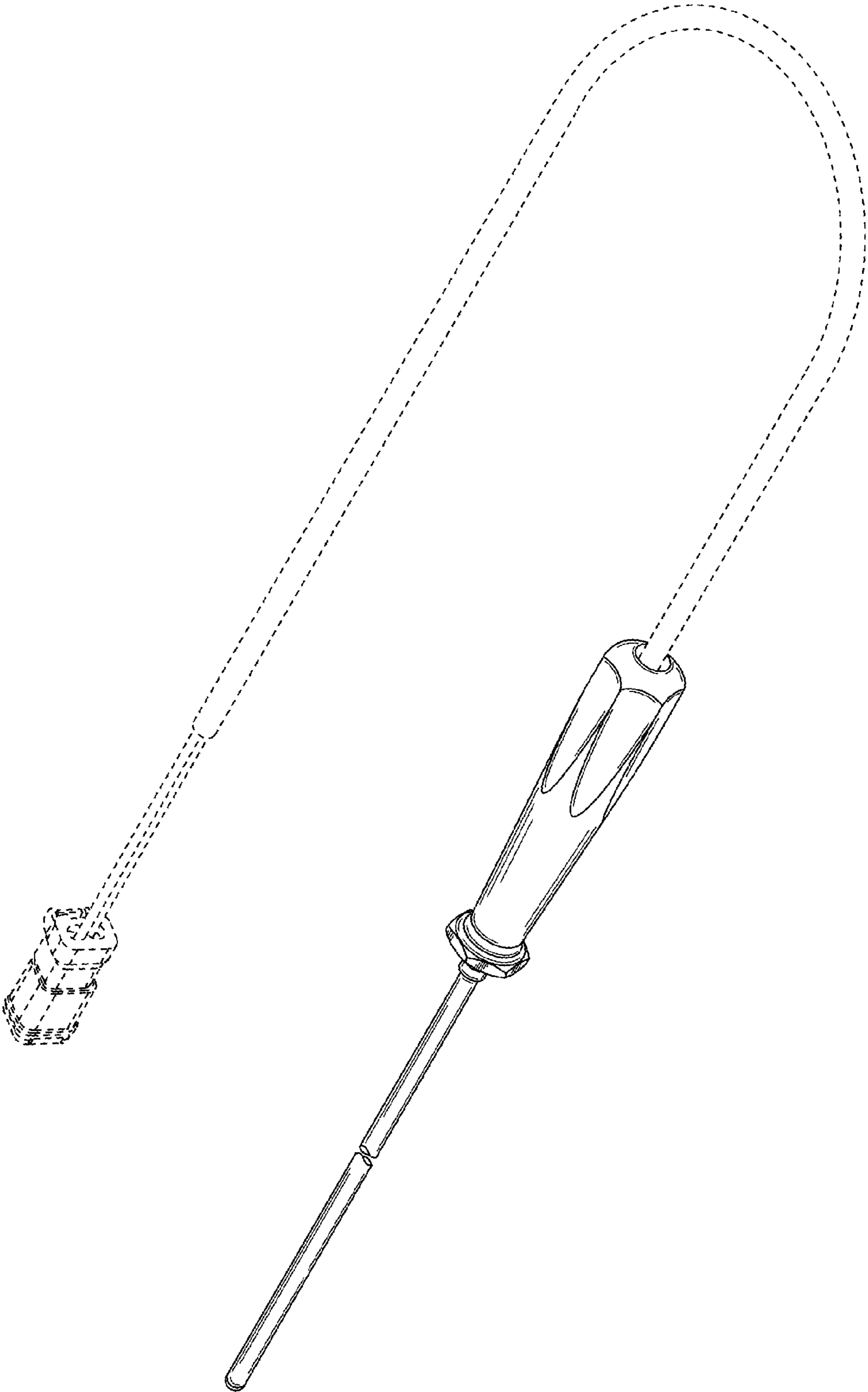


FIG. 1

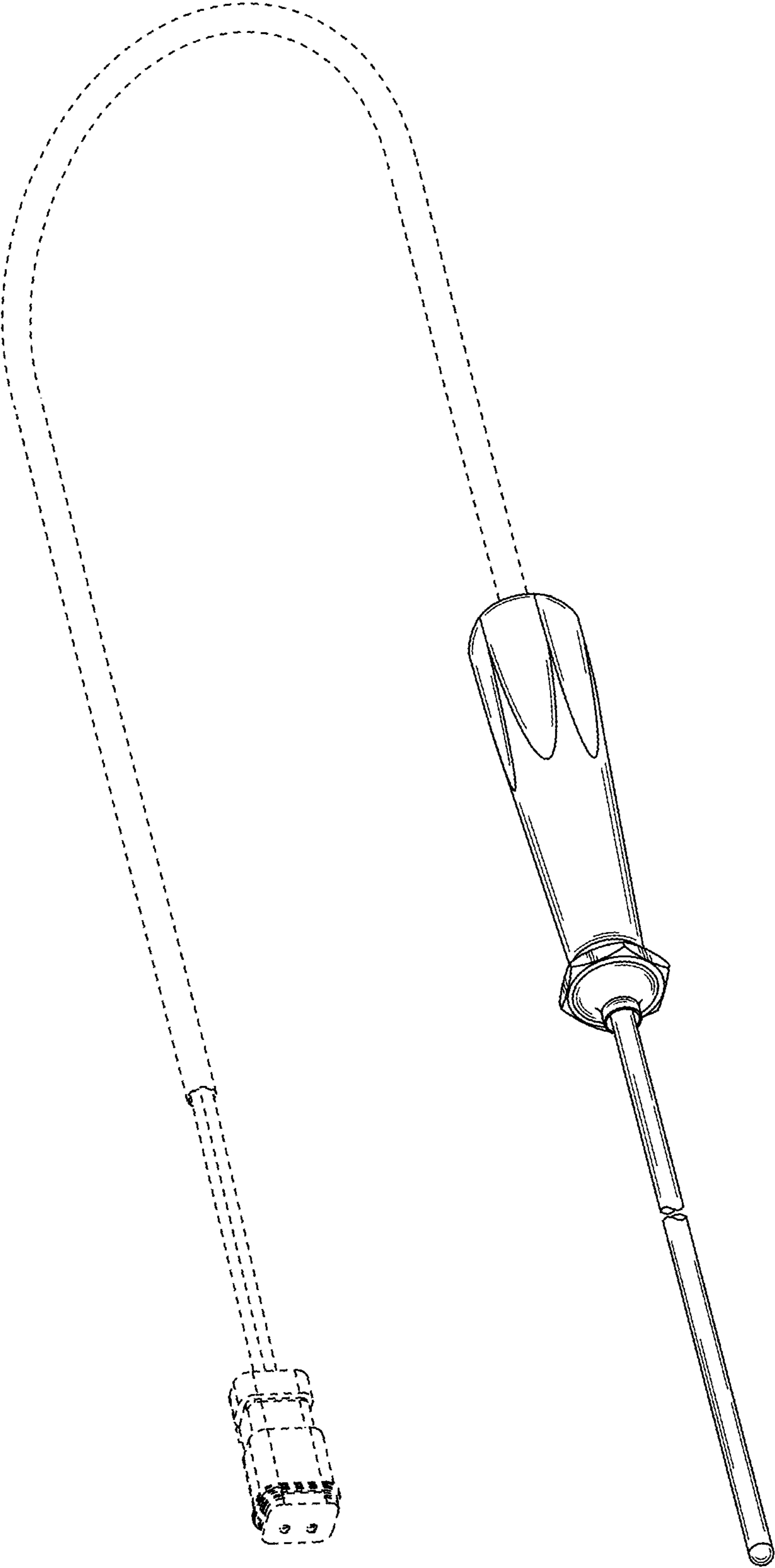


FIG. 2

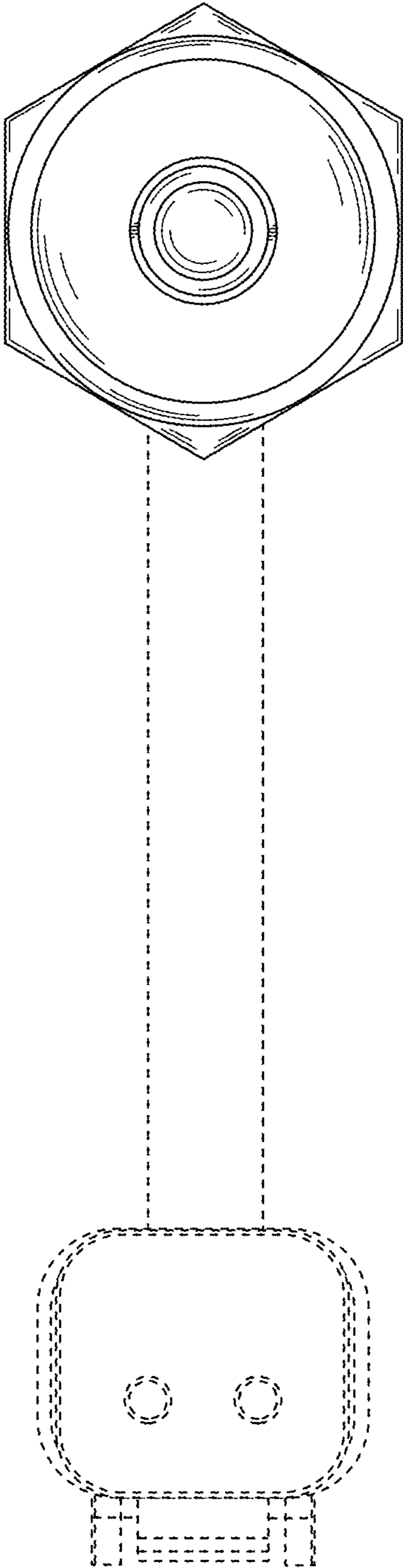


FIG. 3

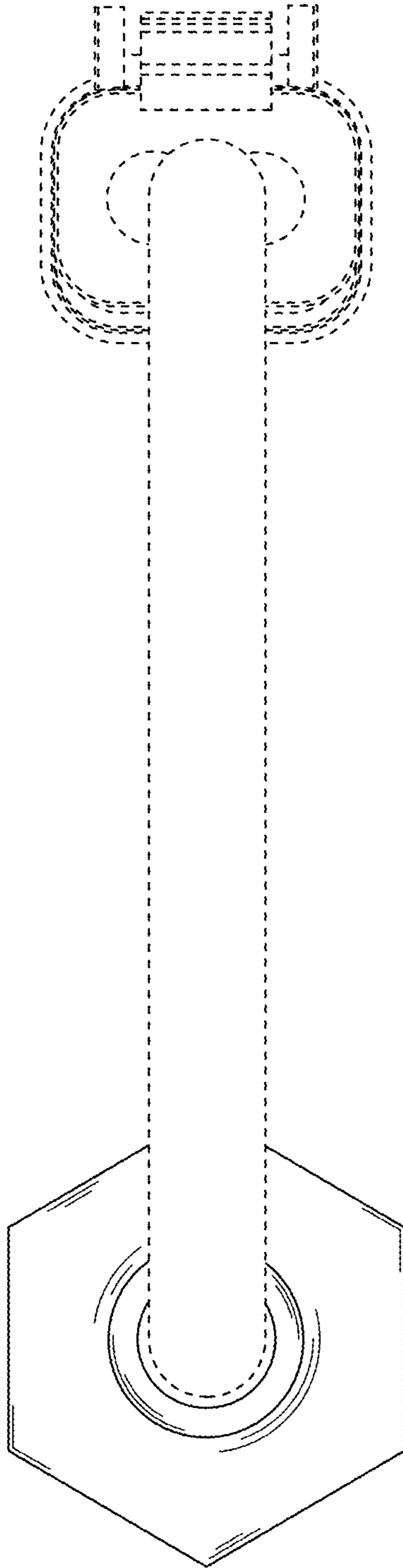


FIG. 4

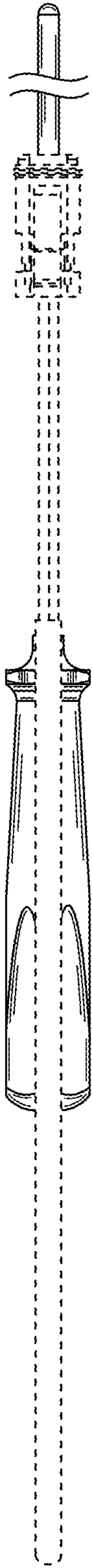


FIG. 5



FIG. 6

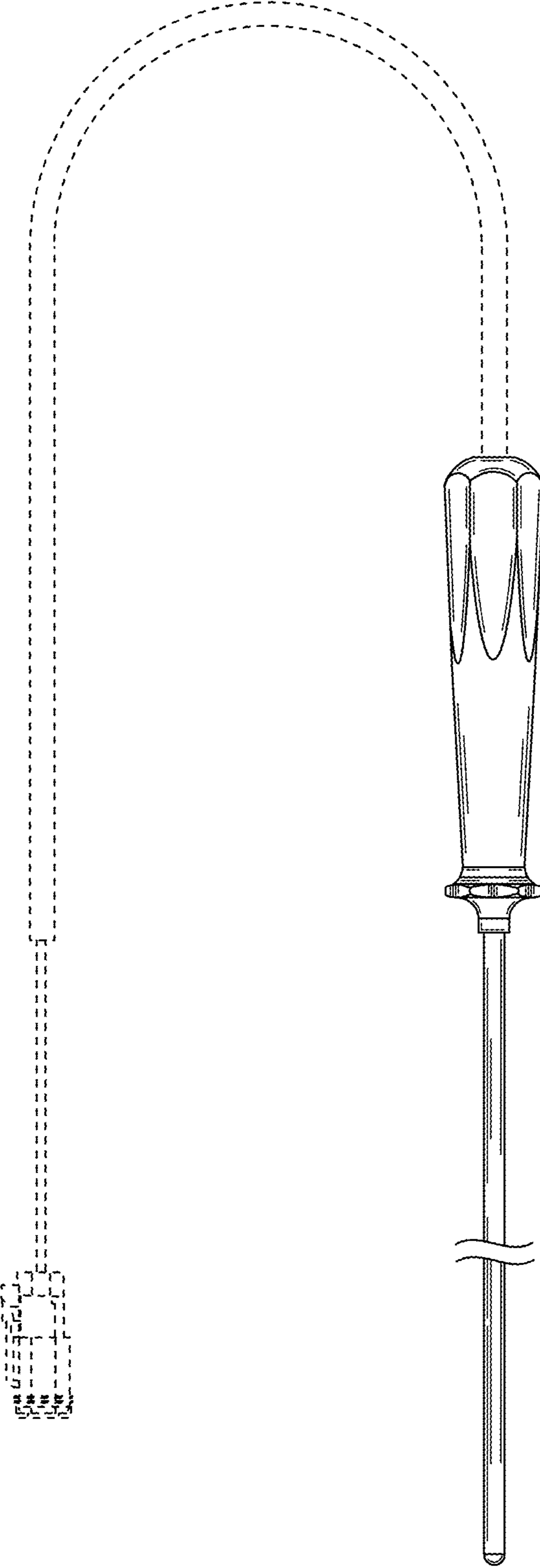


FIG. 7

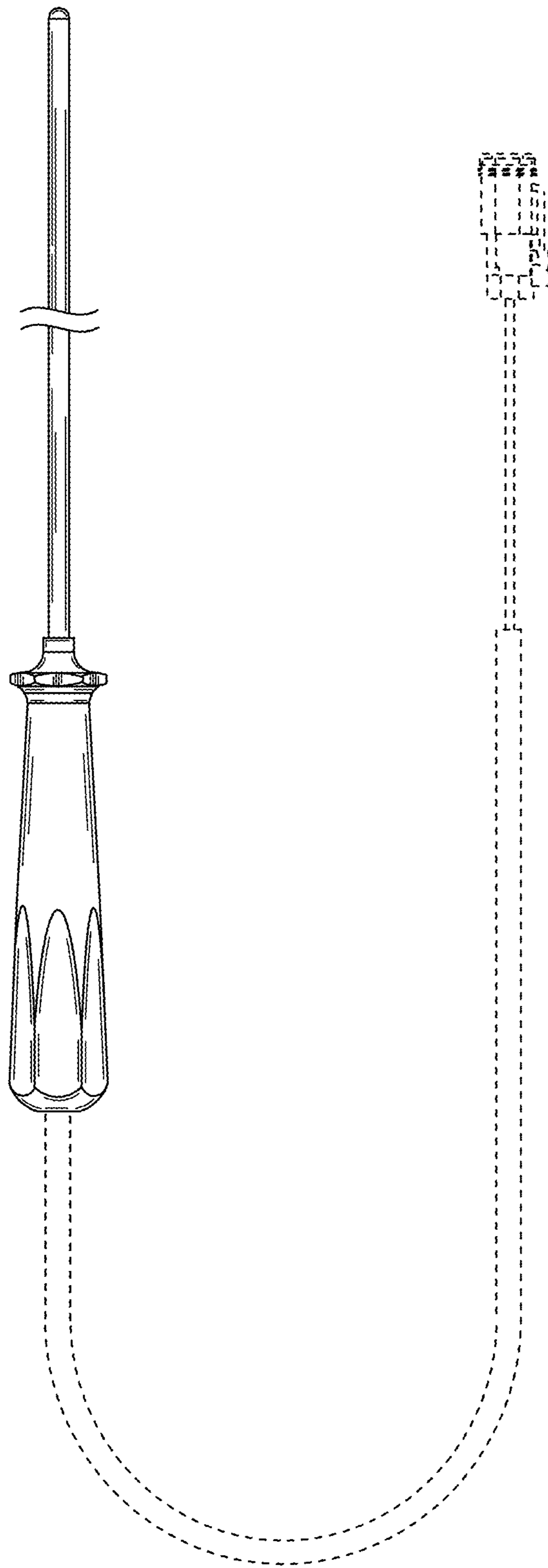


FIG. 8