



US00D691492S

(12) **United States Design Patent**
Rathbone et al.

(10) **Patent No.:** **US D691,492 S**
(45) **Date of Patent:** **** Oct. 15, 2013**

(54) **TUBULAR PACKAGING**

(75) Inventors: **Jonathan E Rathbone**, Chicago, IL
(US); **Peter Ehling**, Chicago, IL (US)

(73) Assignee: **WM. Wrigley Jr. Company**, Chicago,
IL (US)

(**) Term: **14 Years**

(21) Appl. No.: **29/431,130**

(22) Filed: **Sep. 4, 2012**

(51) **LOC (9) Cl.** **09-05**

(52) **U.S. Cl.**
USPC **D9/711**

(58) **Field of Classification Search**

USPC D9/711, 713, 715, 414-415, 418-419,
D9/434, 501, 430-431, 424; 206/461, 464,
206/467, 806, 495, 481, 482-483, 278.1, 8,
206/9, 11, 279-287, 287.1, 288-299;
211/85.3; 223/85, 82, 88; 229/87.16,
229/103.2, 87.01, 87.15, 117.12, 117.18;
D3/269, 282, 201, 303, 319

See application file for complete search history.

(56) **References Cited**

U.S. PATENT DOCUMENTS

D315,095 S * 3/1991 Wright D9/503
D369,972 S * 5/1996 Solheim D9/711

D464,875 S * 10/2002 Koppang D9/711
D548,973 S * 8/2007 Dawson et al. D3/302
D558,451 S * 1/2008 Roesler D3/302
D610,467 S * 2/2010 Kozarsky D9/707
D643,746 S * 8/2011 Yoe et al. D9/711
D657,693 S * 4/2012 Krankkala et al. D9/711

* cited by examiner

Primary Examiner — Caron D Veynar

Assistant Examiner — Abraham Bahta

(74) *Attorney, Agent, or Firm* — McAndrews, Held &
Malloy, Ltd.

(57) **CLAIM**

The ornamental design for tubular packaging, as shown and
described.

DESCRIPTION

FIG. 1 is a perspective view of the tubular packaging showing
articles positioned within the package.

FIG. 2 is a perspective view of the tubular packaging of FIG.
1 without the articles positioned in the packaging.

FIG. 3 is a front view of the tubular packaging of FIG. 2.

FIG. 4 is a back view of the tubular packaging of FIG. 2.

FIG. 5 is a bottom view of the tubular packaging of FIG. 2.

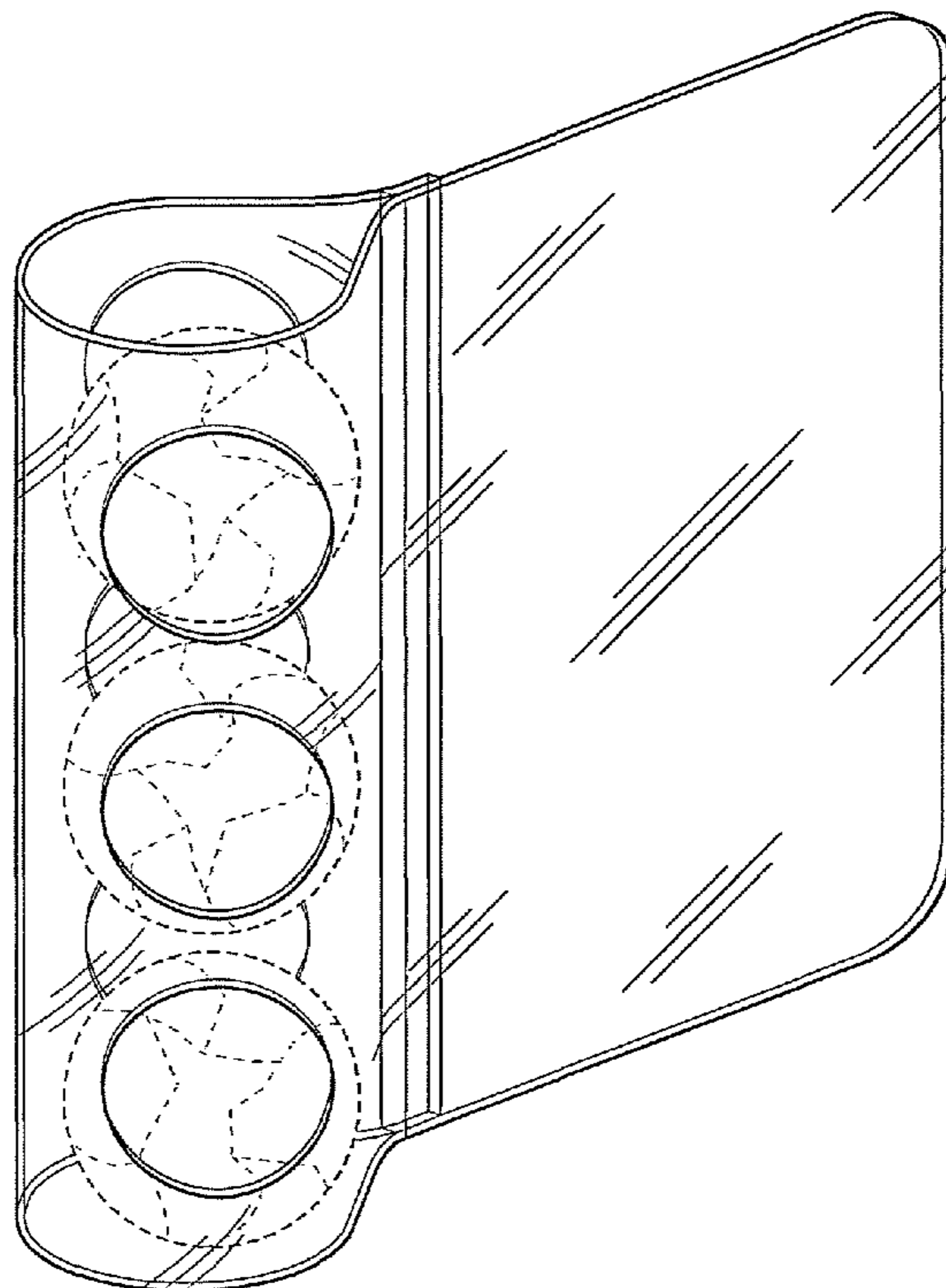
FIG. 6 is a top view of the tubular packaging of FIG. 2.

FIG. 7 is a left side view of the tubular packaging of FIG. 2;
and,

FIG. 8 is a right side view of the tubular packaging of FIG. 2.

The broken line showing of articles positioned in the tubular
packaging is included for the purpose of illustrating environ-
mental structure and forms no part of the claimed design.

1 Claim, 3 Drawing Sheets



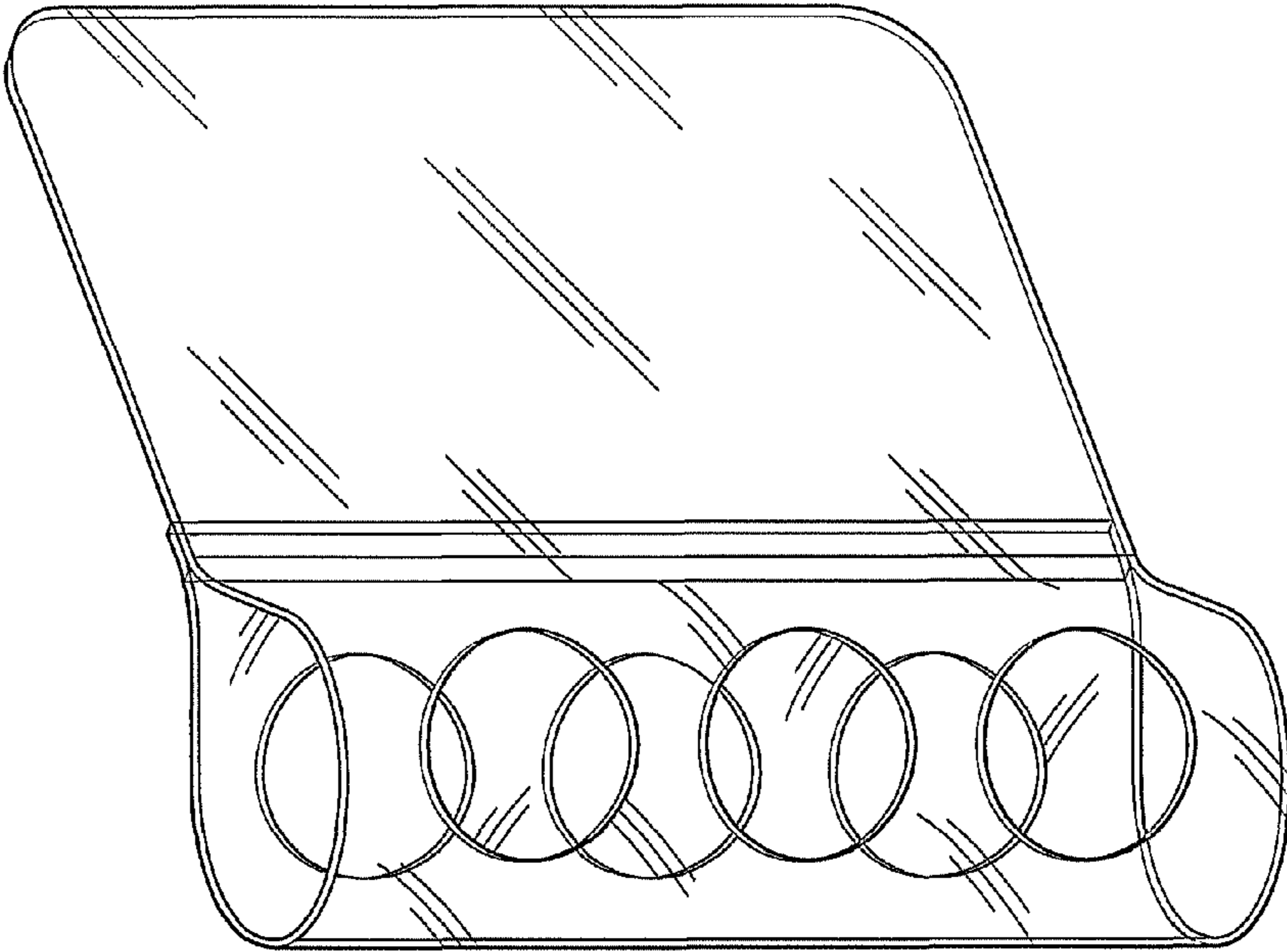


FIG. 2

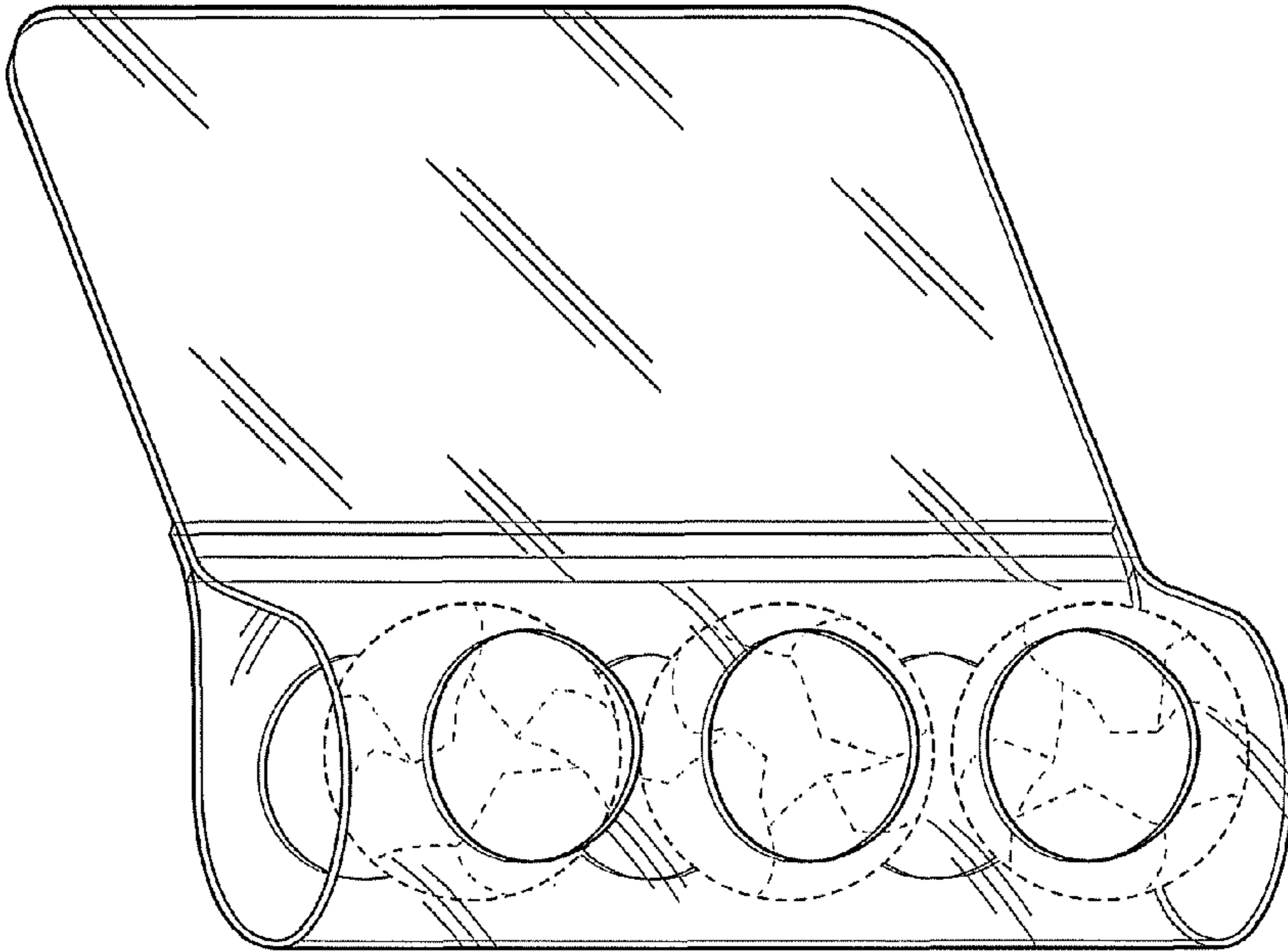


FIG. 1

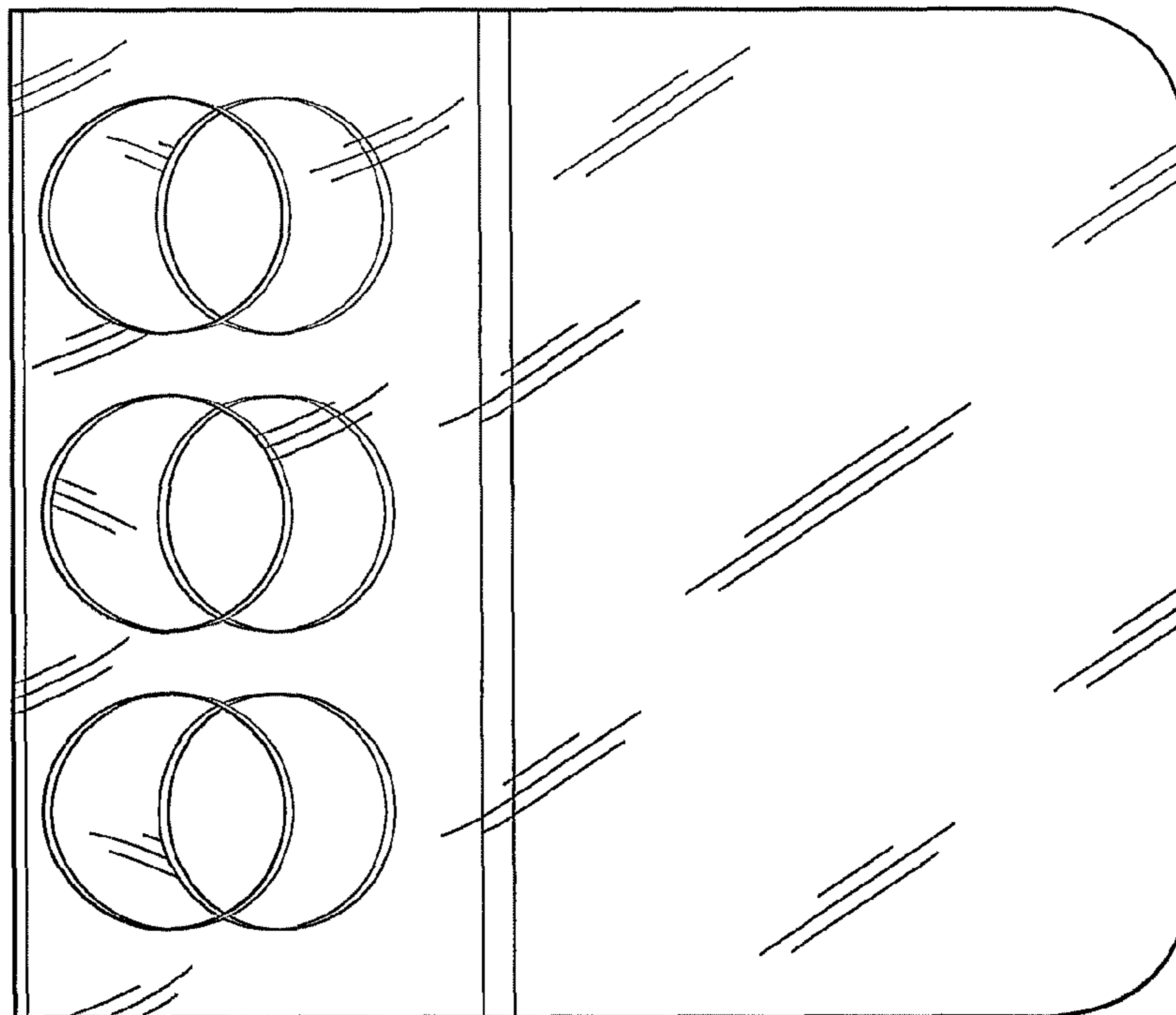


FIG. 3

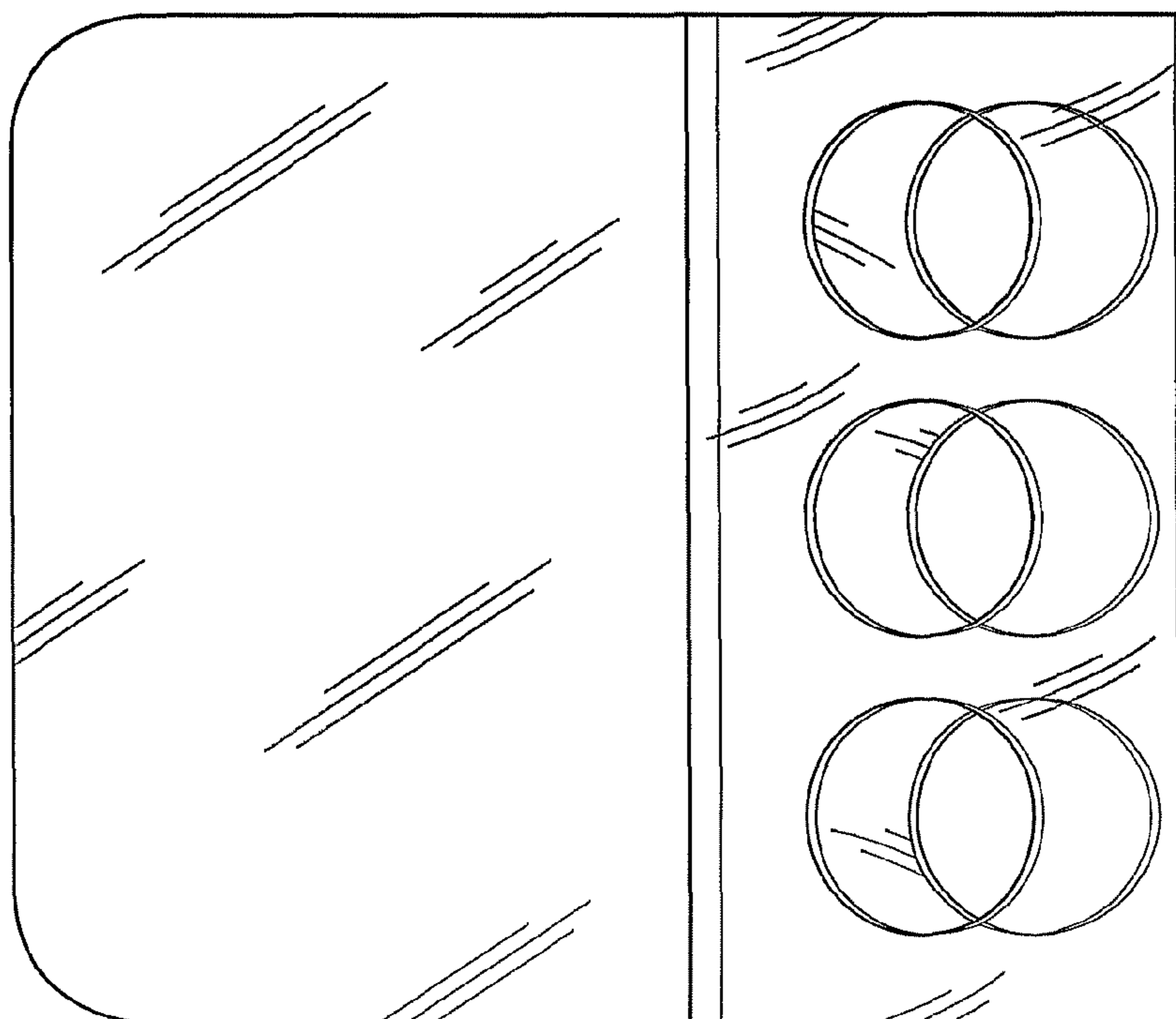


FIG. 4

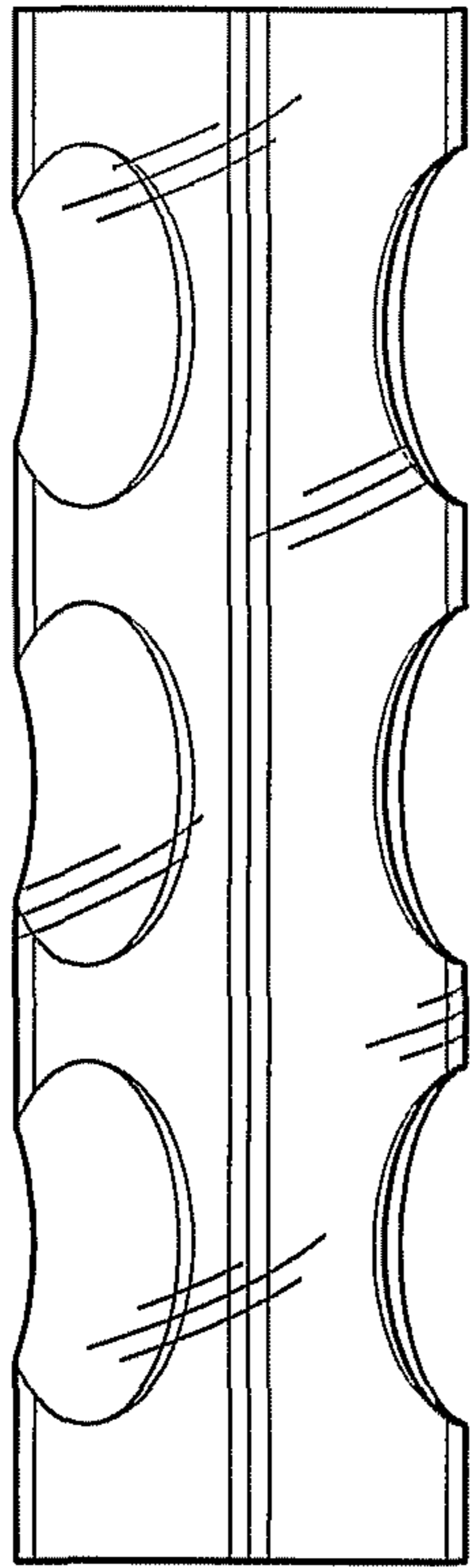


FIG. 5

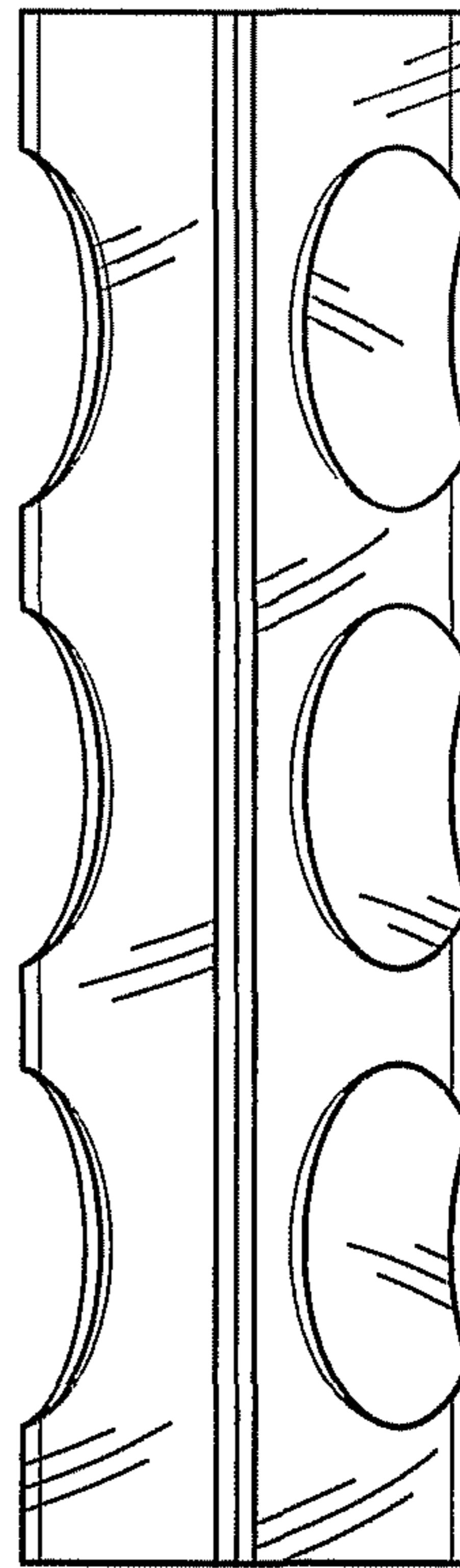


FIG. 6

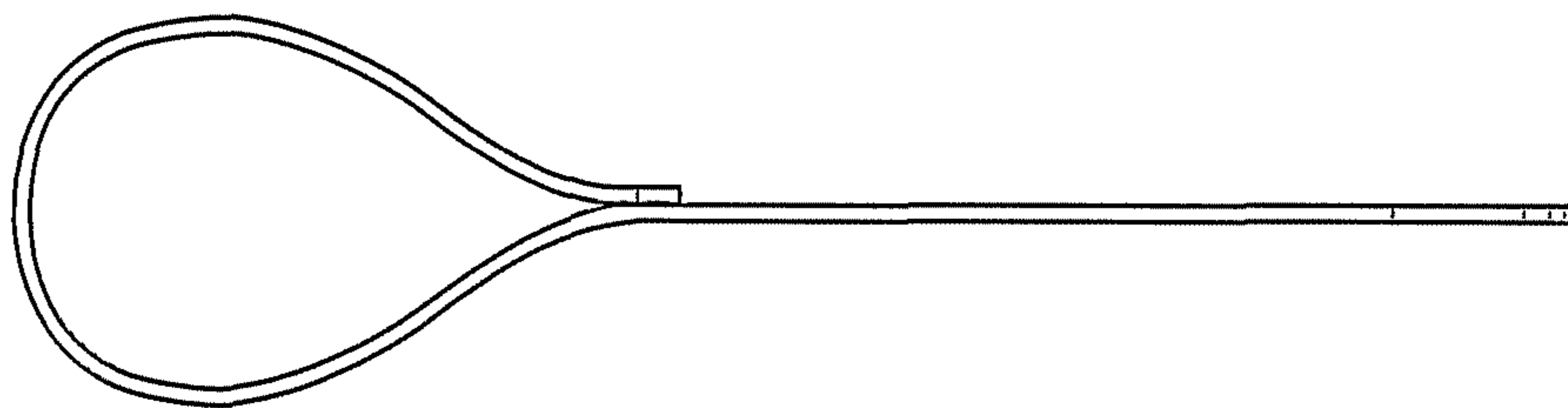


FIG. 7

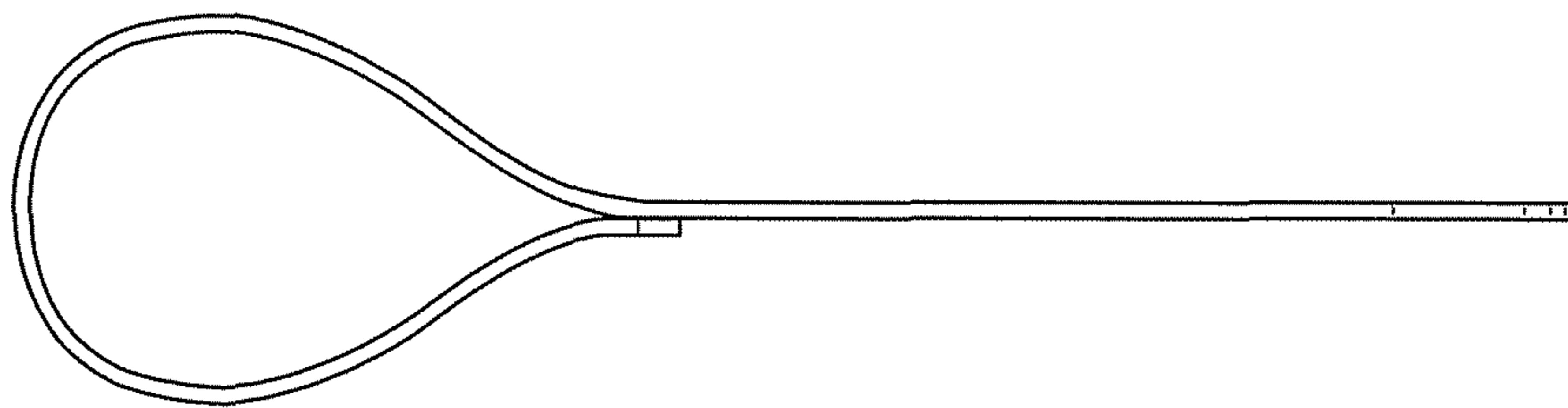


FIG. 8