



US00D691489S

(12) **United States Design Patent**  
**Bates et al.**

(10) **Patent No.:** **US D691,489 S**  
(45) **Date of Patent:** **\*\* Oct. 15, 2013**

(54) **FOOD PACKAGE**

- (71) Applicant: **Daisy Brand, LLC**, Dallas, TX (US)
- (72) Inventors: **Peter Bates**, Concord, MA (US);  
**Kristin Heist**, Cambridge, MA (US);  
**Christine Horan**, Marshfield, MA (US);  
**Julie King**, Fairview, TX (US);  
**Elizabeth Kneen**, Somerville, MA (US);  
**Jason Robertson**, Somerville, MA (US);  
**David M. Sokolsky**, Dallas, TX (US);  
**Jung Geun Tak**, Newton Upper Falls, MA (US);  
**Vincent Taylor**, Dallas, TX (US);  
**Craig Ziemkiewicz**, Allen, TX (US)
- (73) Assignee: **Daisy Brand, LLC**, Dallas, TX (US)
- (\*\*) Term: **14 Years**
- (21) Appl. No.: **29/441,319**
- (22) Filed: **Jan. 3, 2013**

**Related U.S. Application Data**

- (63) Continuation-in-part of application No. 29/426,574, filed on Jul. 6, 2012.
- (51) **LOC (9) Cl.** ..... **09-03**
- (52) **U.S. Cl.**  
USPC ..... **D9/697**
- (58) **Field of Classification Search**  
USPC ..... D9/702-714, 425, 429-430, 414, 575,  
D9/693-694, 516, 521-523, 543-546, 499,  
D9/449, 504, 695-699; 206/260; 229/4.5,  
229/109; D7/303; 383/61.1, 61.2, 901,  
383/80-81, 42, 108, 104, 119-120, 92;  
220/495.03, 675; 222/92, 107;  
D24/118, 121, 207; 215/316, 328, 321,  
215/379, 381-384; 428/34.3

See application file for complete search history.

(56) **References Cited**

U.S. PATENT DOCUMENTS

D364,557 S *	11/1995	Linner .....	D9/699
D398,845 S *	9/1998	Wyslotsky .....	D9/425
D423,361 S *	4/2000	Negre .....	D9/521
D429,146 S *	8/2000	Thibiant et al. ....	D9/697
D459,212 S	6/2002	Gobe	
D541,171 S *	4/2007	Delmotte et al. ....	D9/709
D542,660 S *	5/2007	Thomas et al. ....	D9/521
D582,790 S *	12/2008	Friebe et al. ....	D9/707
D604,164 S *	11/2009	Miller et al. ....	D9/521

(Continued)

FOREIGN PATENT DOCUMENTS

EP	2463213 A1	6/2012
WO	WO-2007031330 A1	3/2007

*Primary Examiner* — Caron D Veynar  
*Assistant Examiner* — Abraham Bahta

(74) *Attorney, Agent, or Firm* — Gardere Wynne Sewell LLP; Michael W. Dubner

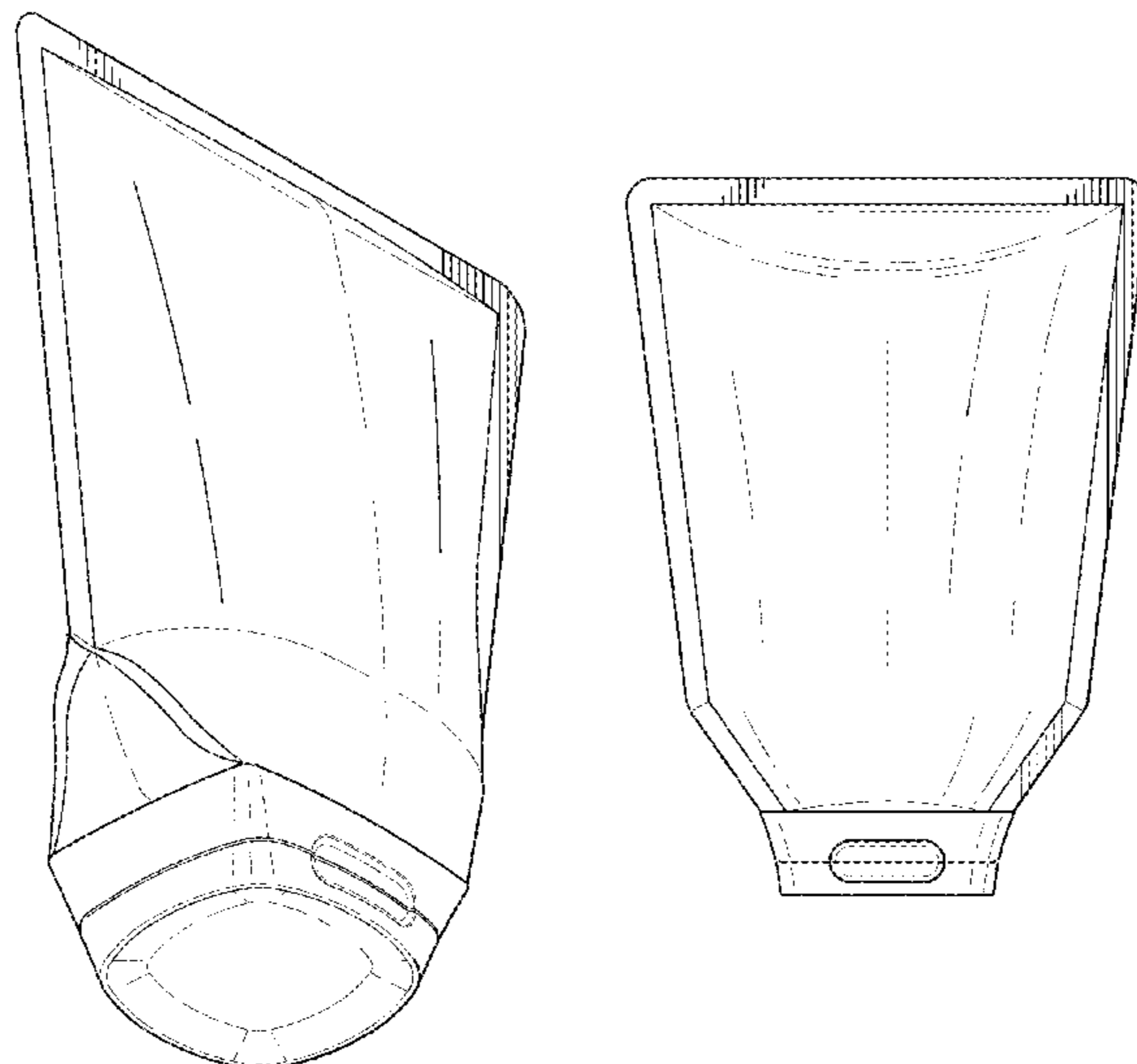
(57) **CLAIM**

The ornamental design for a food package, as shown and described.

**DESCRIPTION**

FIG. 1 is a perspective view of a food package;  
FIG. 2 is a front view of the food package shown in FIG. 1;  
FIG. 3 is a rear view of the food package shown in FIG. 1;  
FIG. 4 is a left side view of the food package shown in FIG. 1,  
the right side being a mirror image thereof;  
FIG. 5 is top view of the food package shown in FIG. 1; and,  
FIG. 6 is a bottom view of the food package shown in FIG. 1.

**1 Claim, 2 Drawing Sheets**



# US D691,489 S

Page 2

---

(56)

## References Cited

### U.S. PATENT DOCUMENTS

D626,860 S 11/2010 Oates et al.

D638,719 S \* 5/2011 Sander ..... D9/695

D655,203 S \* 3/2012 Klint ..... D9/709

D659,008 S \* 5/2012 Gately et al. .... D9/565

D664,862 S \* 8/2012 Smith et al. .... D9/695

D678,070 S \* 3/2013 Meeks ..... D9/521

\* cited by examiner

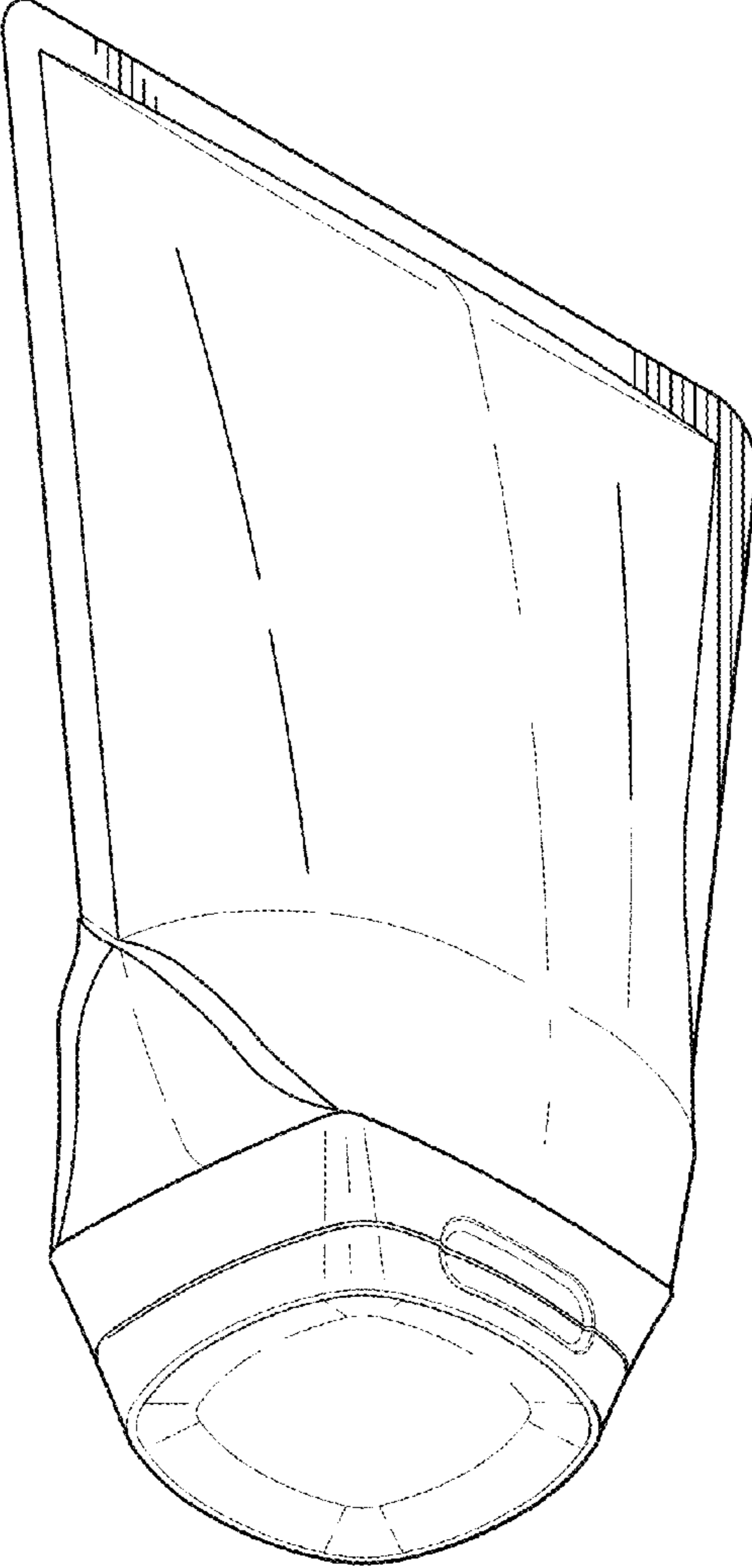


FIG. 1

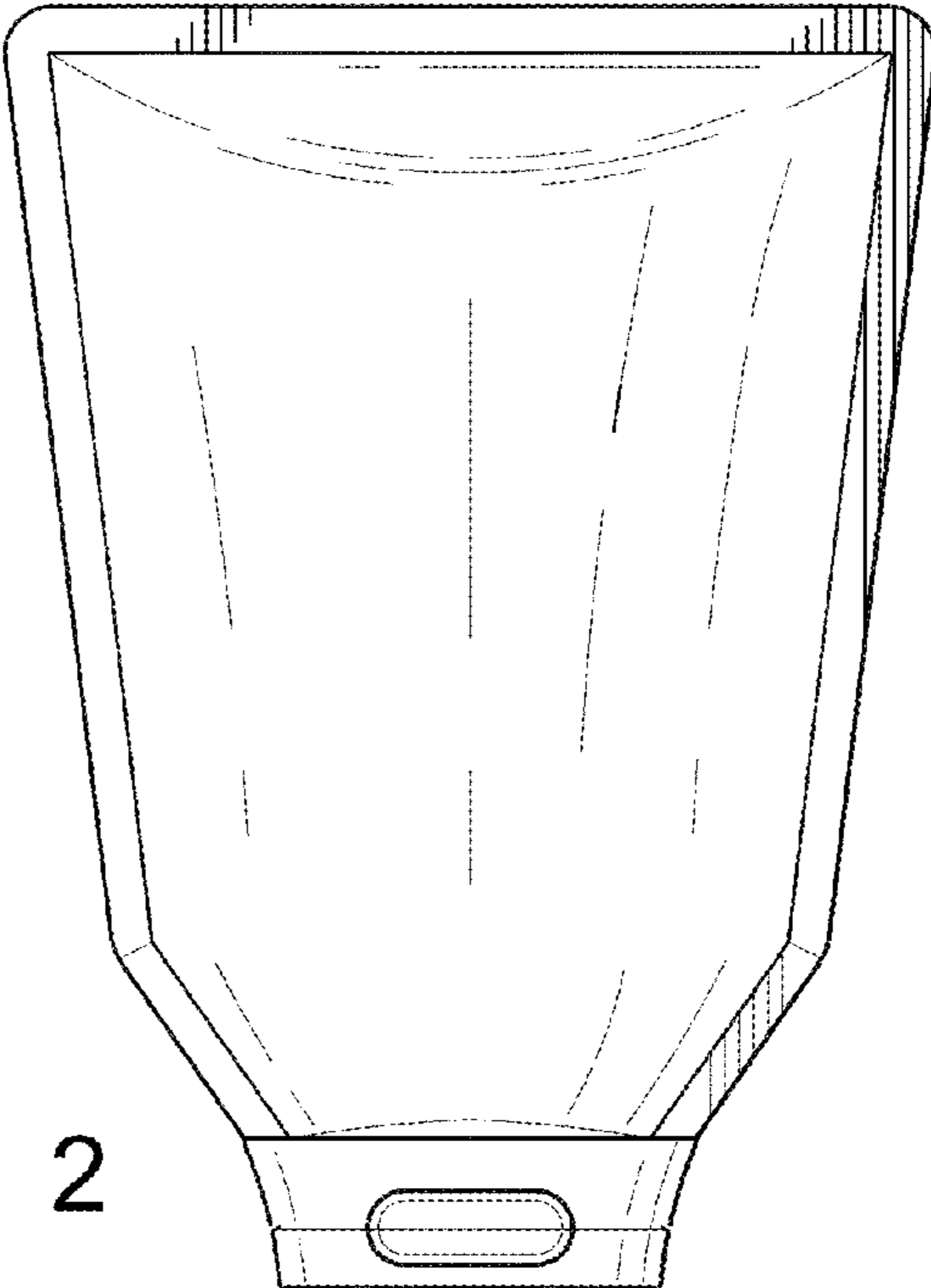


FIG. 2

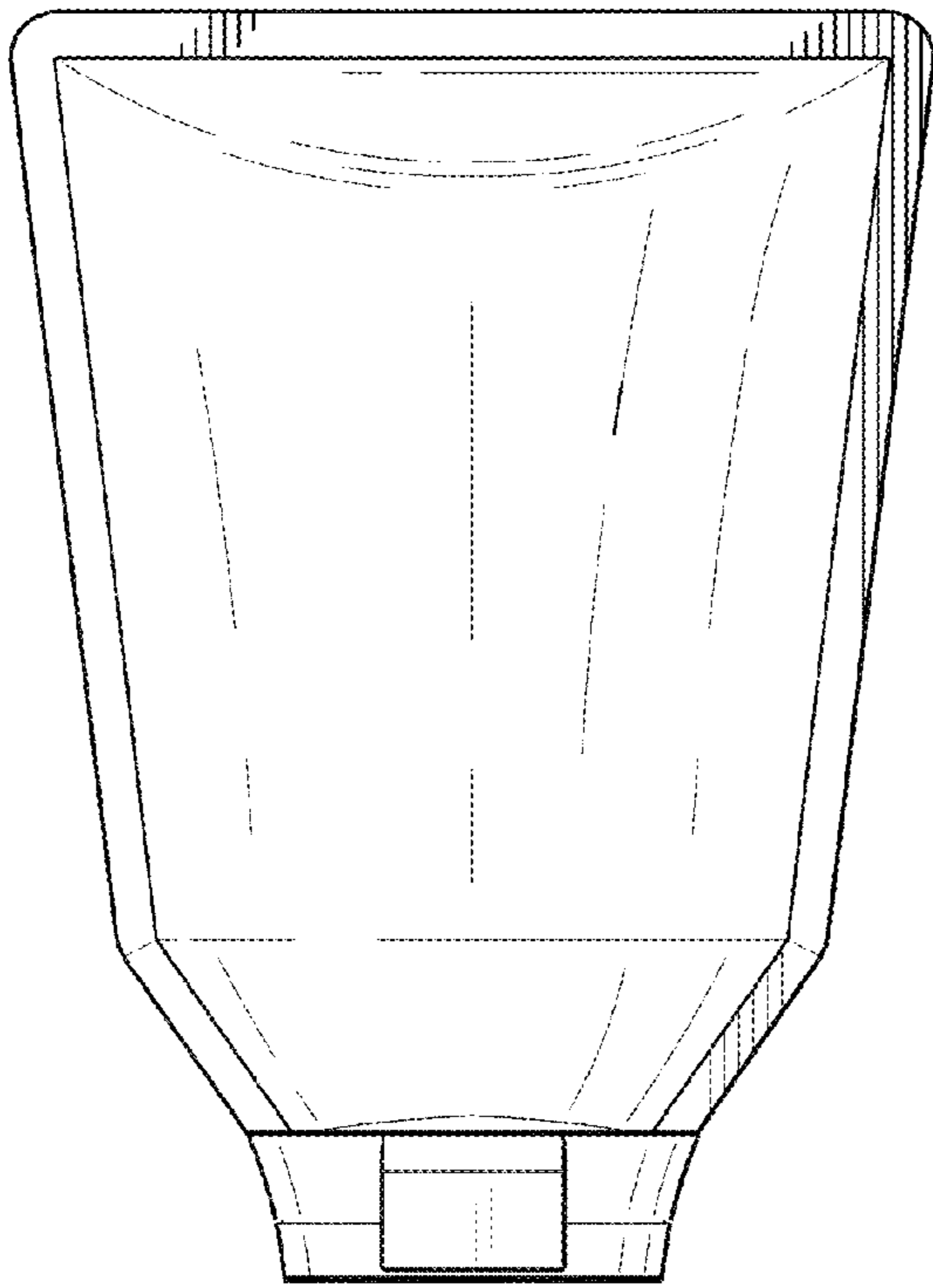


FIG. 3

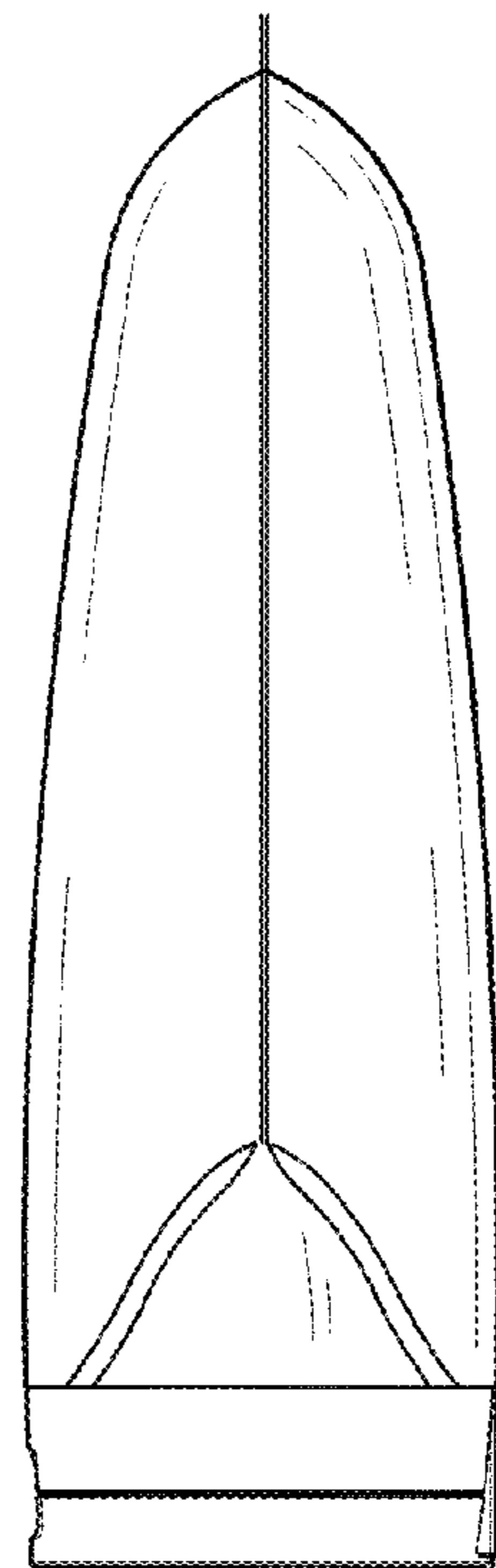


FIG. 4

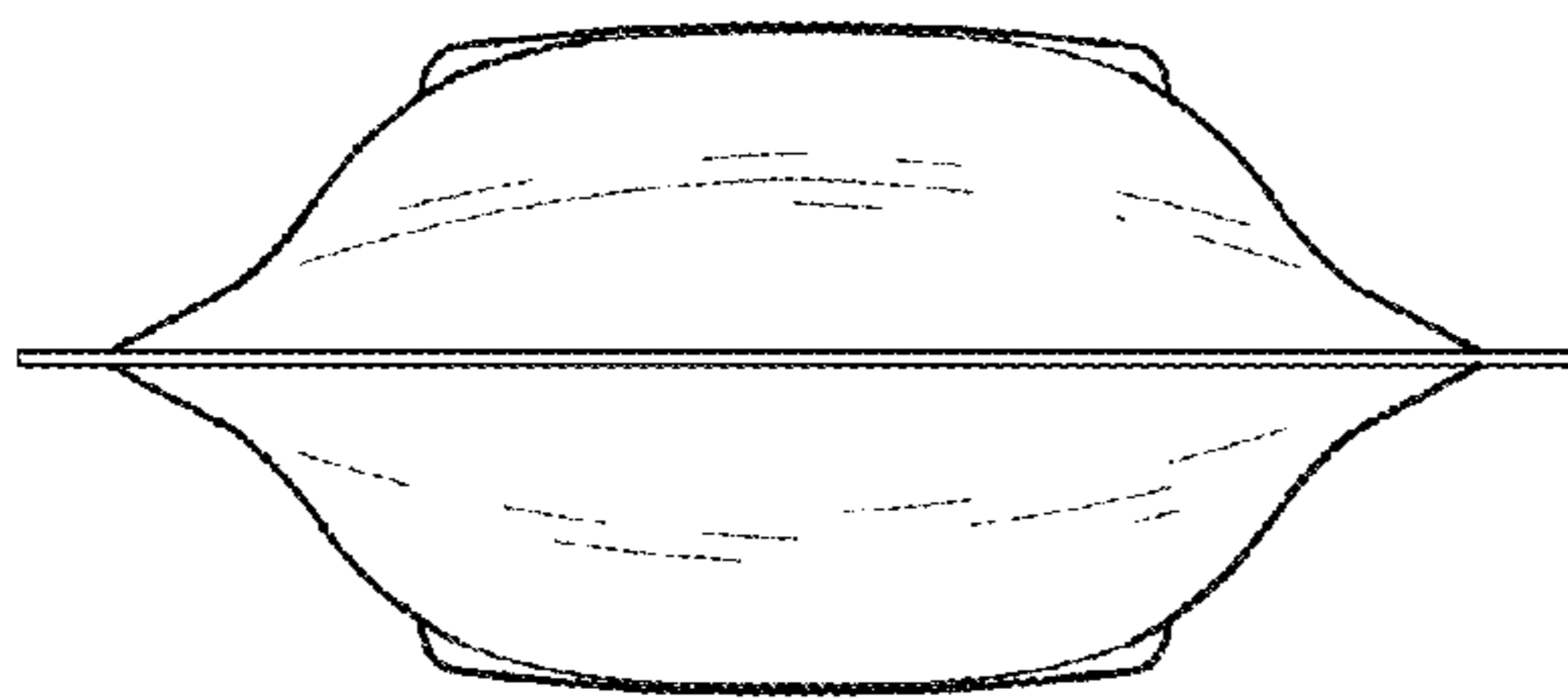


FIG. 5

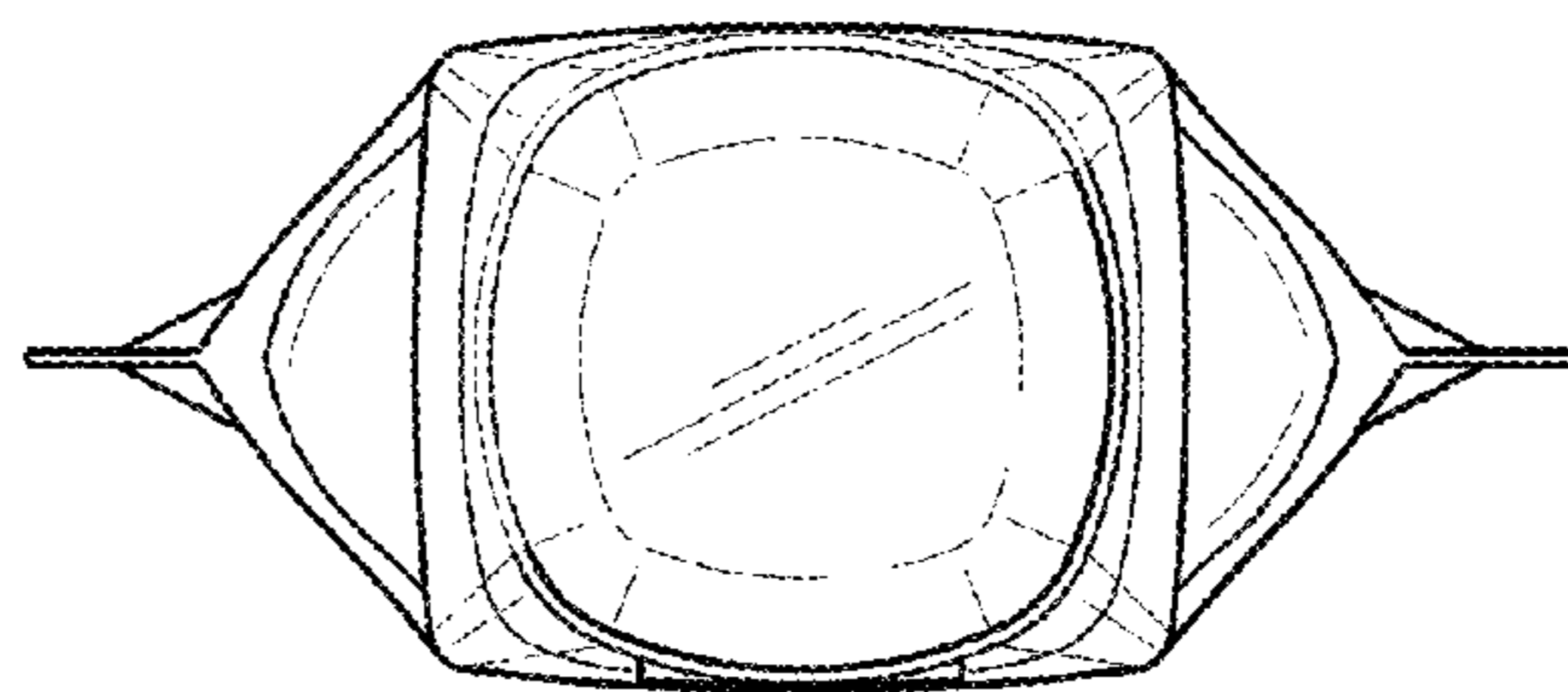


FIG. 6