



US00D691481S

(12) **United States Design Patent**
Yourist et al.

(10) **Patent No.:** **US D691,481 S**

(45) **Date of Patent:** **** Oct. 15, 2013**

(54) **CONTAINER**

(71) Applicant: **Graham Packaging Company, L.P.**,
York, PA (US)

(72) Inventors: **Sheldon Yourist**, York, PA (US); **Jason Braun**, Lake Hiawatha, NJ (US); **Lisa Buenrostro**, New York, NY (US); **Liza Laibe**, Rowayton, CT (US); **Allison Doubles**, Norwalk, CT (US)

(73) Assignee: **Graham Packaging Company, L.P.**,
York, PA (US)

(**) Term: **14 Years**

(21) Appl. No.: **29/432,532**

(22) Filed: **Sep. 17, 2012**

Related U.S. Application Data

(63) Continuation of application No. 29/417,924, filed on Apr. 10, 2012, now abandoned.

(51) **LOC (9) Cl.** **09-01**

(52) **U.S. Cl.**

USPC **D9/543**; D9/560; D9/565; D9/575

(58) **Field of Classification Search**

USPC D9/529–530, 542–544, 552, 559–560,
D9/565, 571, 574–575; 215/379, 381–382,
215/384; 220/660, 662, 669, 675

See application file for complete search history.

(56) **References Cited**

U.S. PATENT DOCUMENTS

D194,634 S * 2/1963 Smith et al. D9/543
D199,460 S * 10/1964 Utley D9/529
D201,220 S * 5/1965 Lorenzen D9/552 X
D207,430 S * 4/1967 Shapler D9/543
D215,700 S * 10/1969 Thomson D9/542

D247,022 S * 1/1978 Turnbull D9/543
D247,699 S * 4/1978 Turnbull D9/543
D321,131 S * 10/1991 Wiseman et al. D9/565 X
D325,343 S * 4/1992 Pizar D9/549
D387,673 S * 12/1997 Crawford D9/575
D413,265 S * 8/1999 Hestehave et al. D9/560 X
D416,801 S * 11/1999 Macauley et al. D9/543 X
D419,455 S * 1/2000 Macauley et al. D9/575
D440,879 S * 4/2001 Cummings D9/543
D447,059 S * 8/2001 Vette D9/574 X
D488,070 S * 4/2004 Yourist D9/560
D502,404 S * 3/2005 Hunt et al. D9/530 X
D504,620 S * 5/2005 Kazuo et al. D9/685
D543,861 S * 6/2007 Garcia-Ruiz D9/565 X
D567,100 S * 4/2008 Liden et al. D9/560
D584,155 S * 1/2009 Lorio D9/530 X
7,665,638 B2 * 2/2010 Garcia-Ruiz et al. 215/12.2 X
D626,858 S * 11/2010 Oates et al. D9/682
D643,739 S * 8/2011 Schmertz et al. D9/565
D651,092 S * 12/2011 Bowers et al. D9/552 X

* cited by examiner

Primary Examiner — Carol P Radmaker

(74) *Attorney, Agent, or Firm* — Baker Botts LLP

(57) **CLAIM**

The ornamental design for a container, as shown and described.

DESCRIPTION

FIG. 1 is a top, front, right side perspective of a container showing our new design;

FIG. 2 is a front elevational view thereof;

FIG. 3 is a rear elevational view thereof;

FIG. 4 is a right side elevational view thereof;

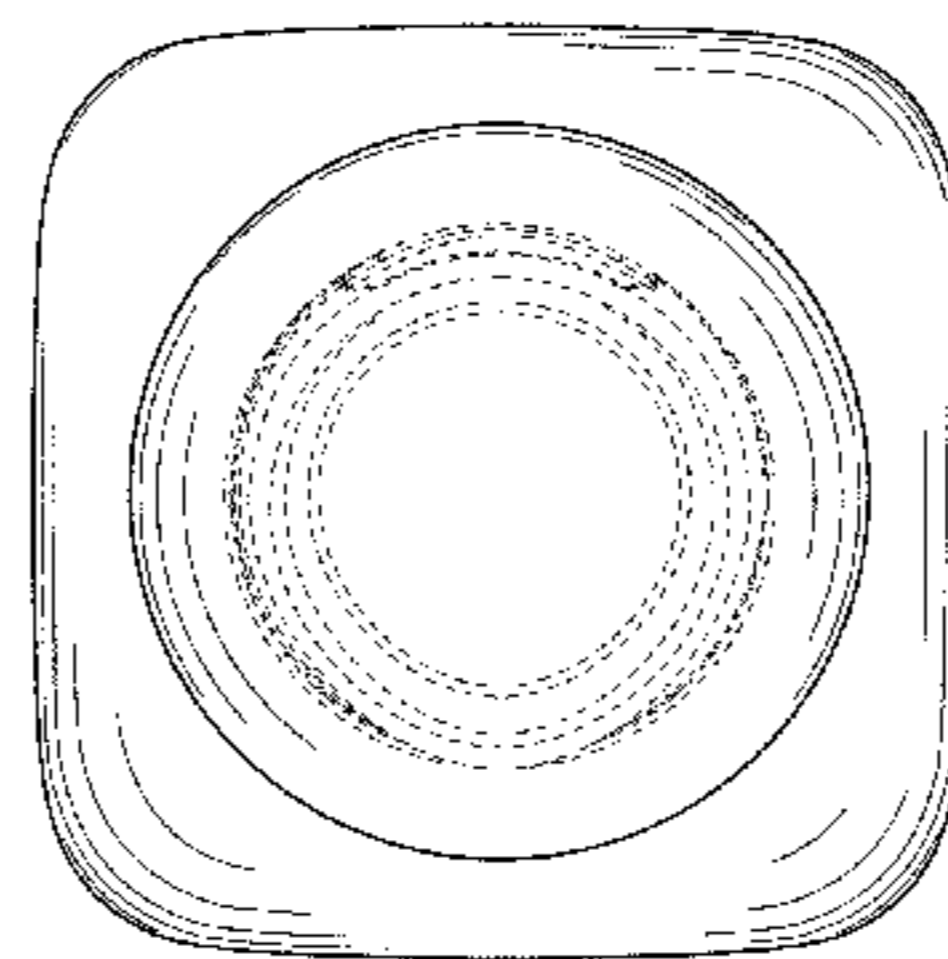
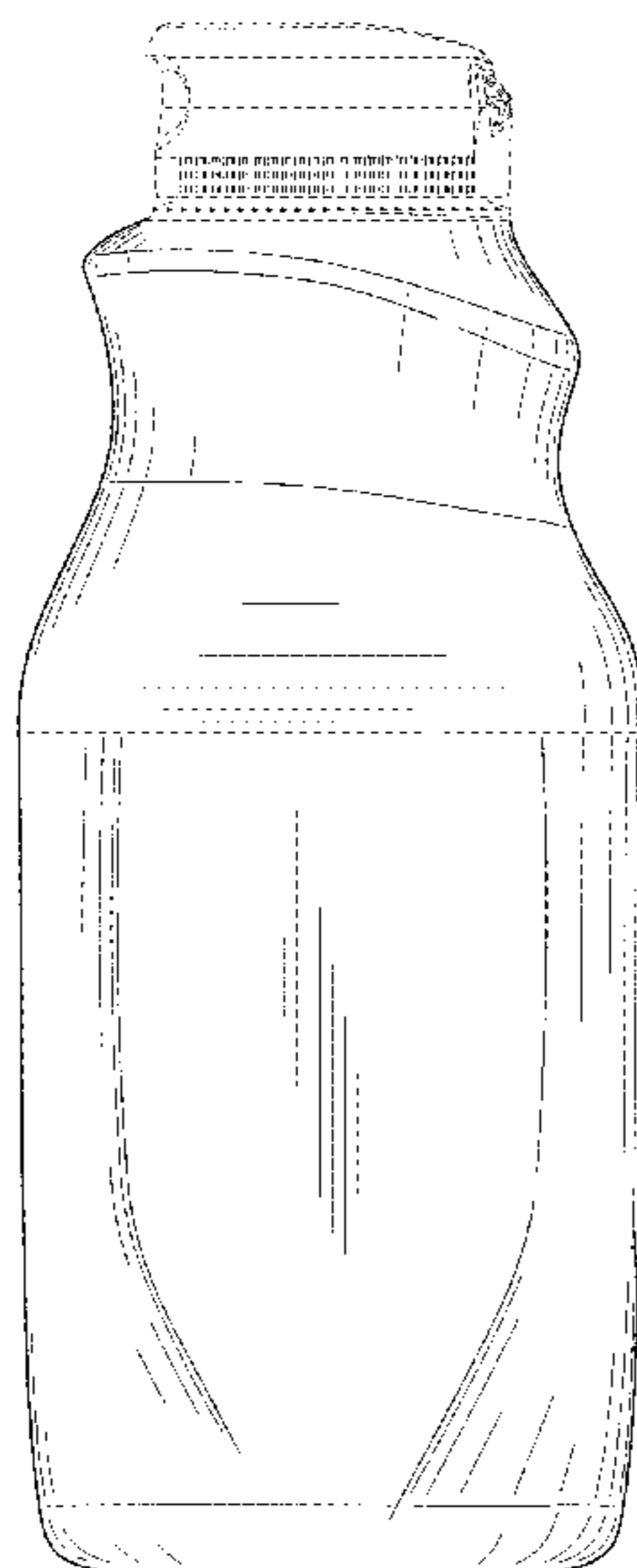
FIG. 5 is a left side elevational view thereof;

FIG. 6 is a top plan view thereof; and,

FIG. 7 is a bottom plan view thereof.

The broken lines shown in the drawing views are included for the purpose of illustrating environmental structure and form no part of the claimed design.

1 Claim, 4 Drawing Sheets



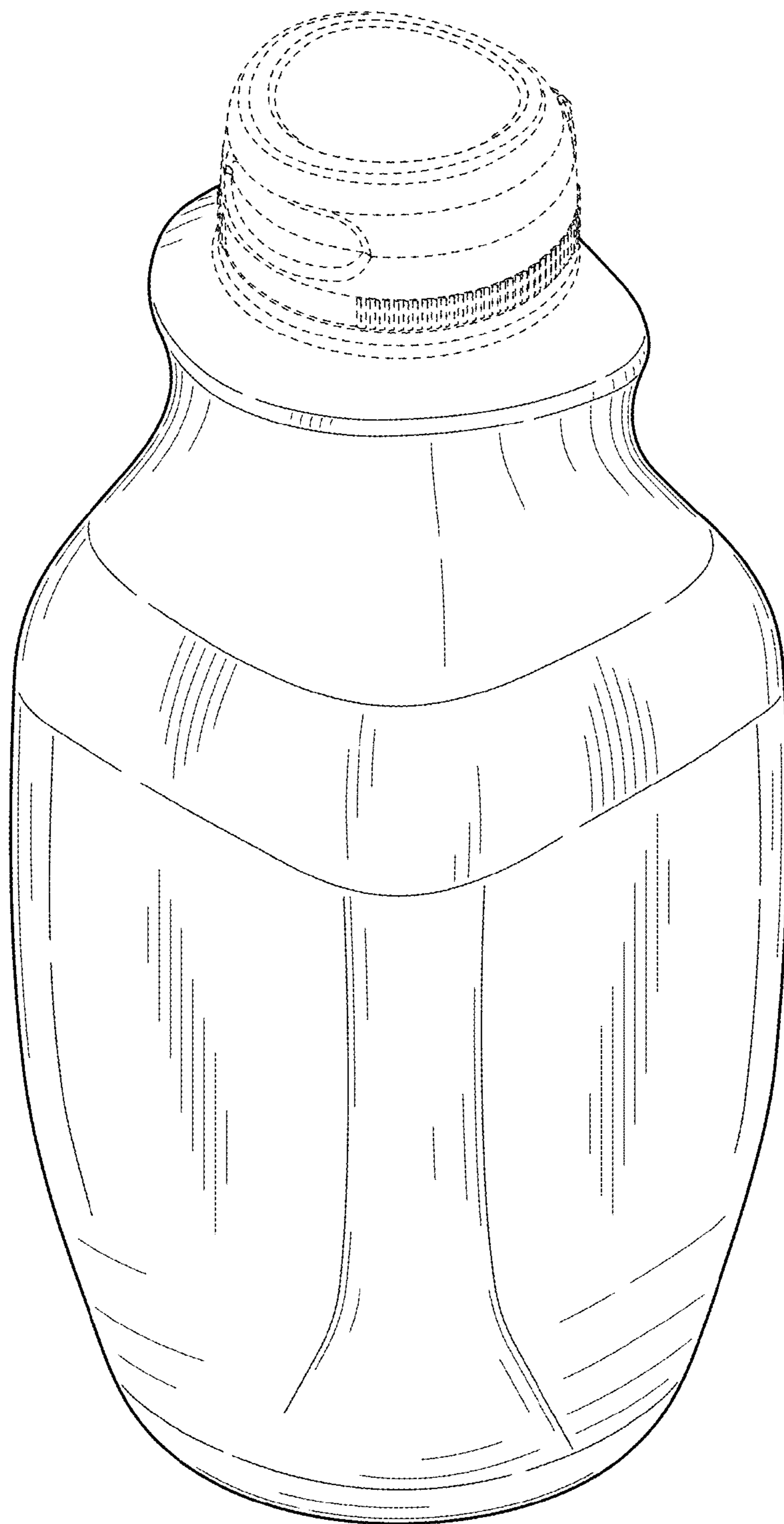


FIG. 1

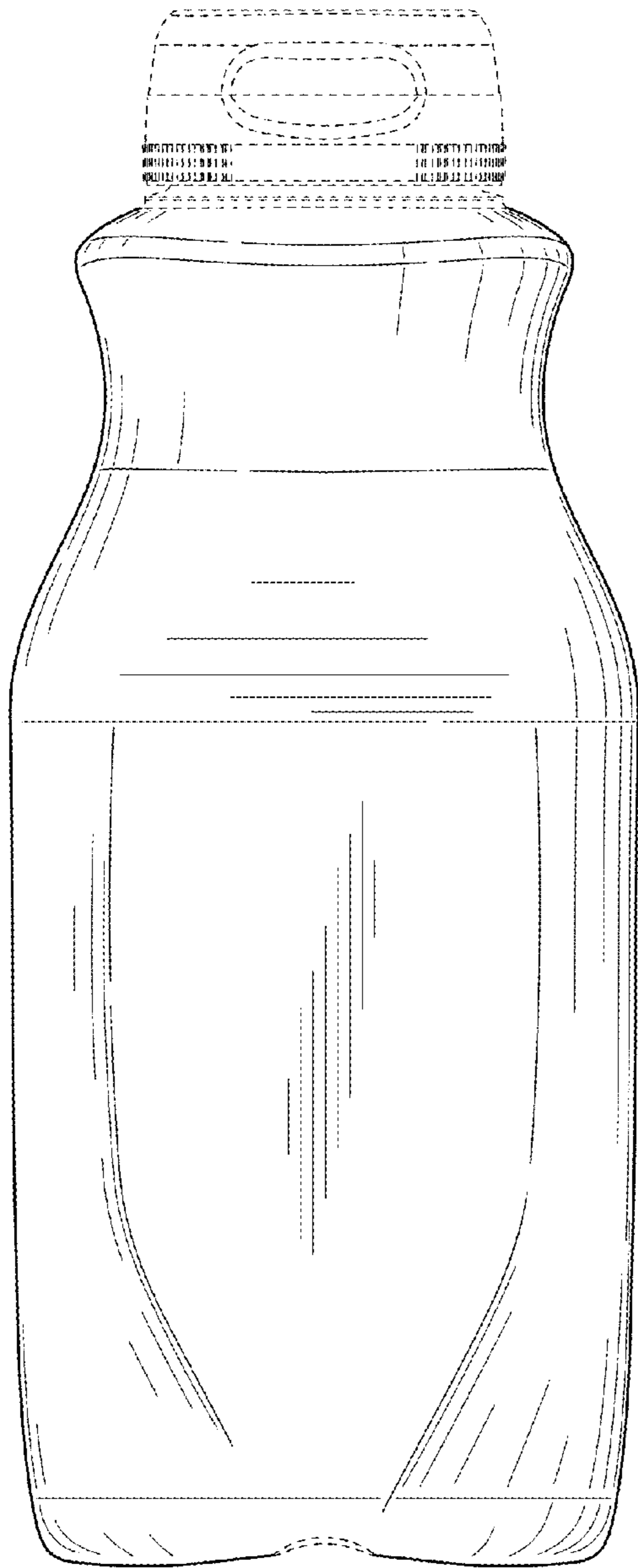


FIG. 2

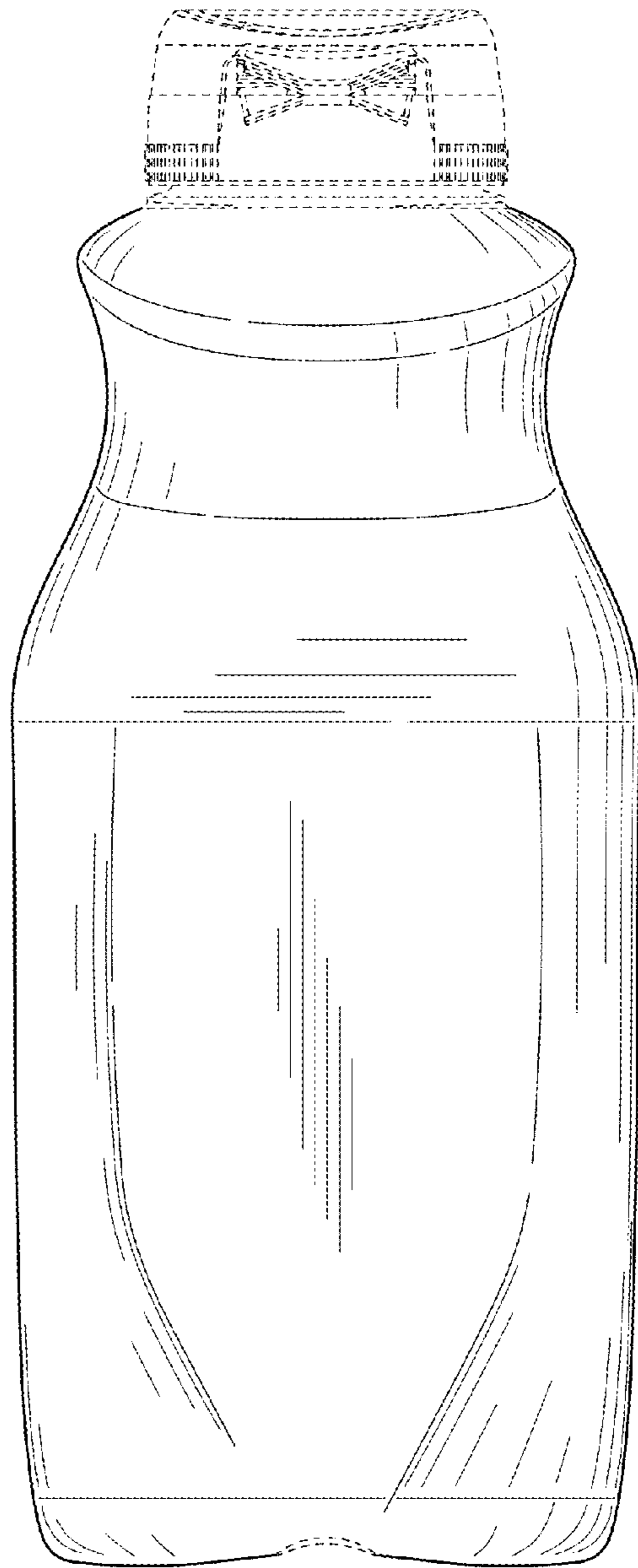


FIG. 3

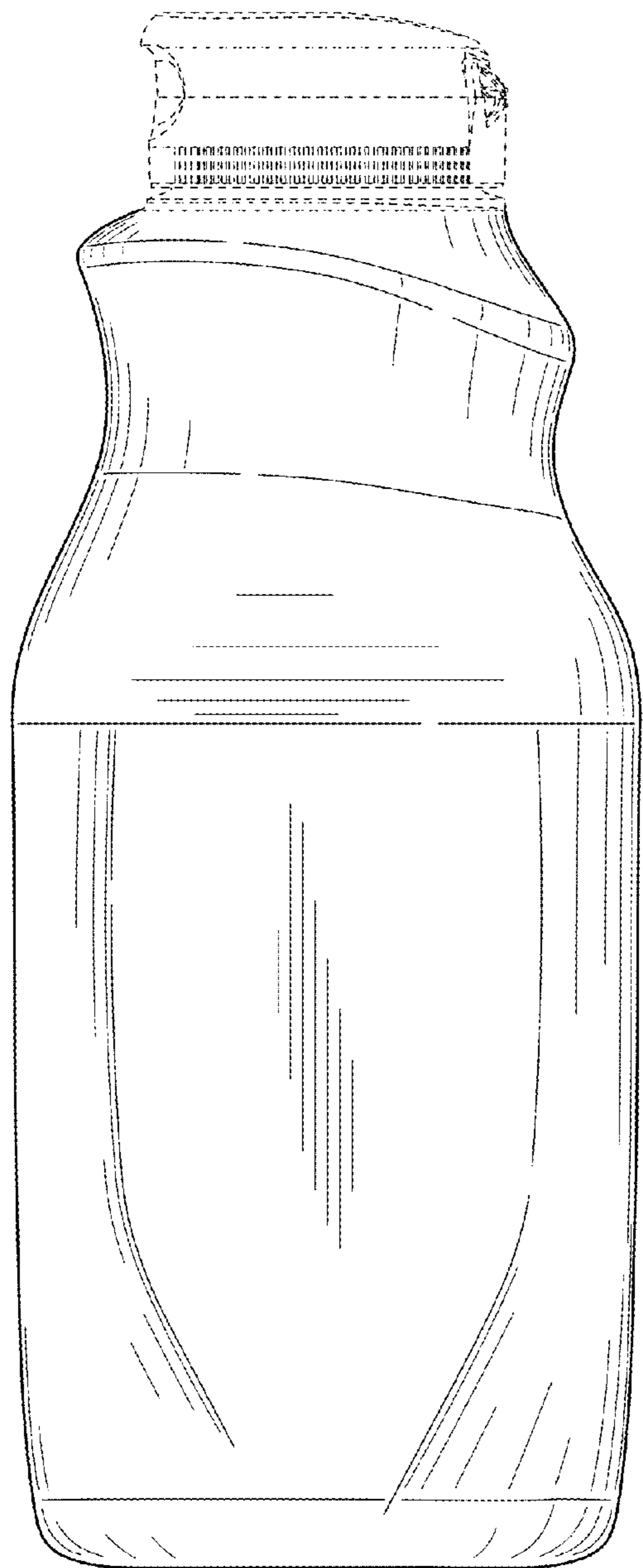


FIG. 4

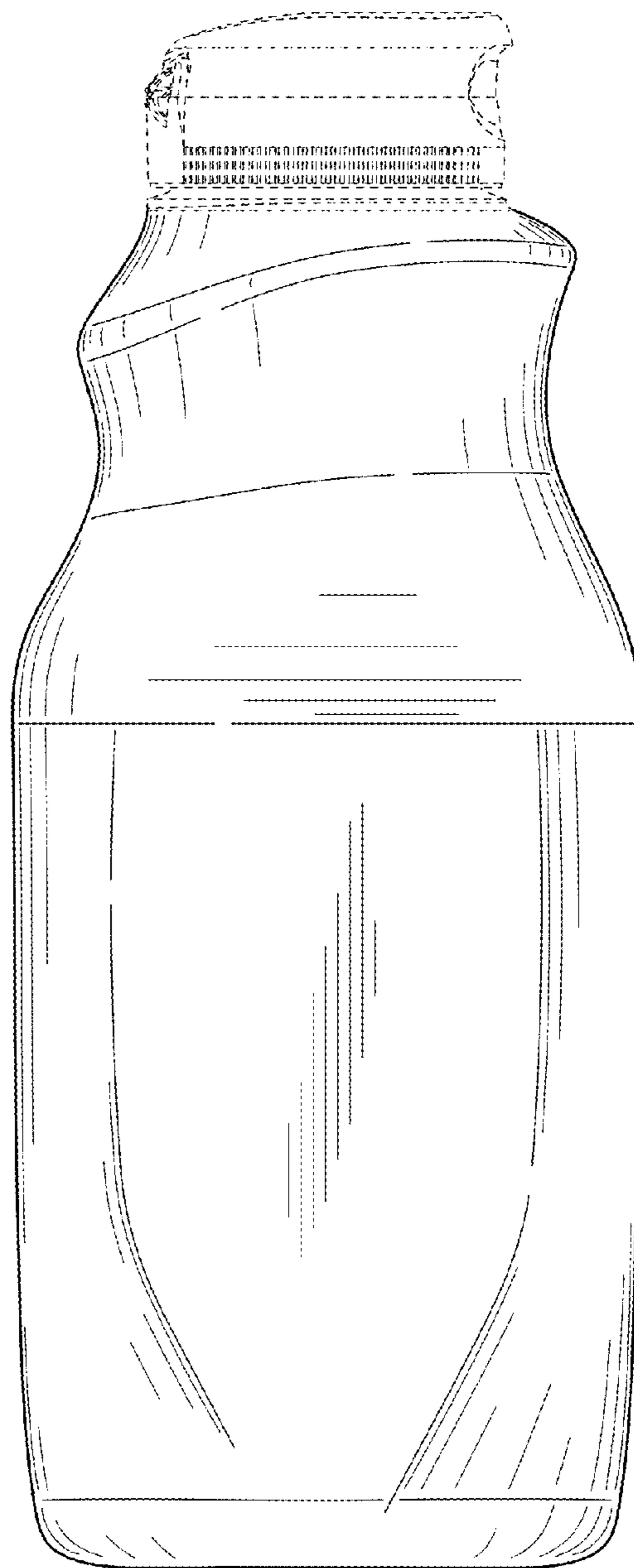


FIG. 5

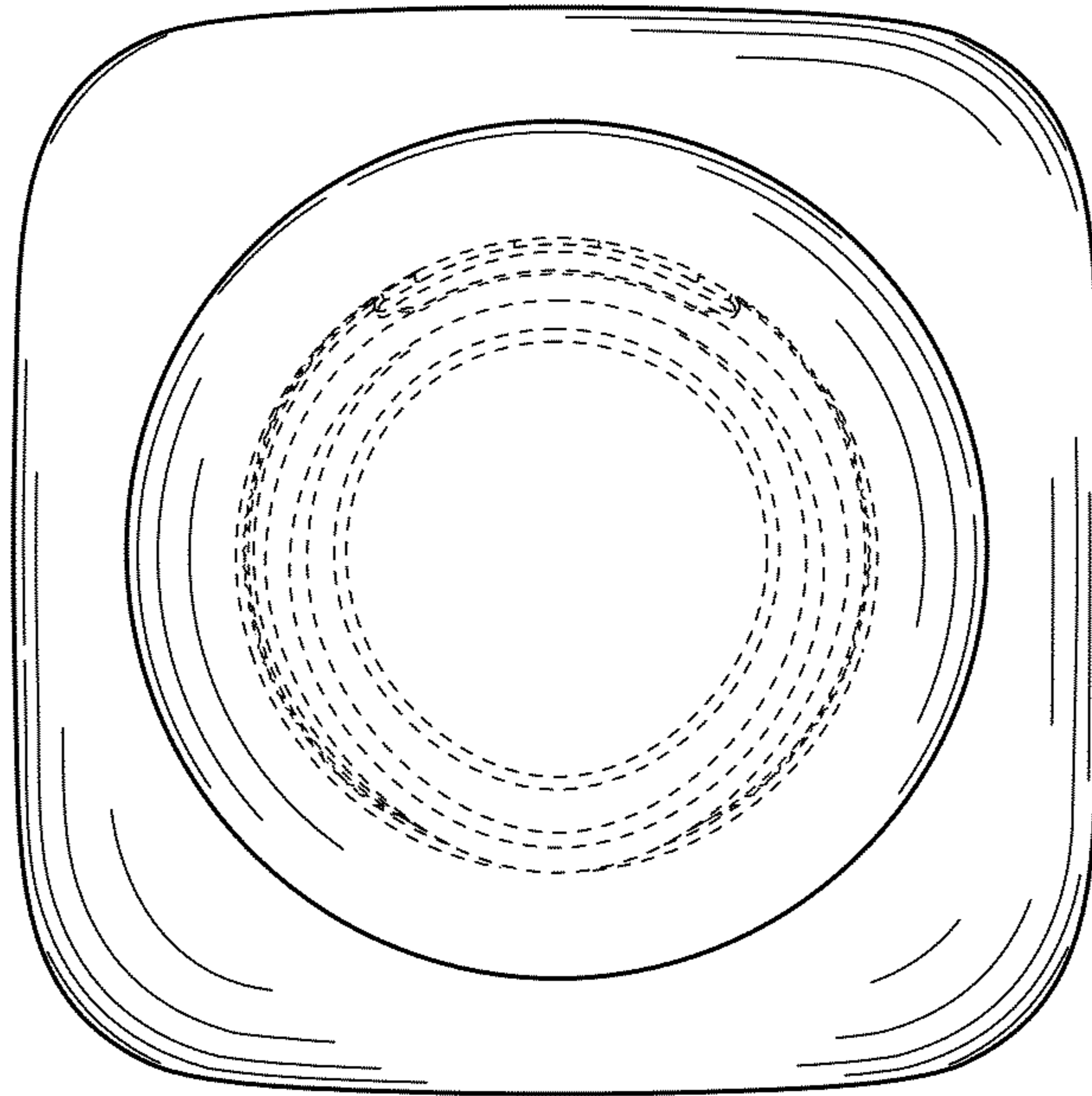


FIG. 6

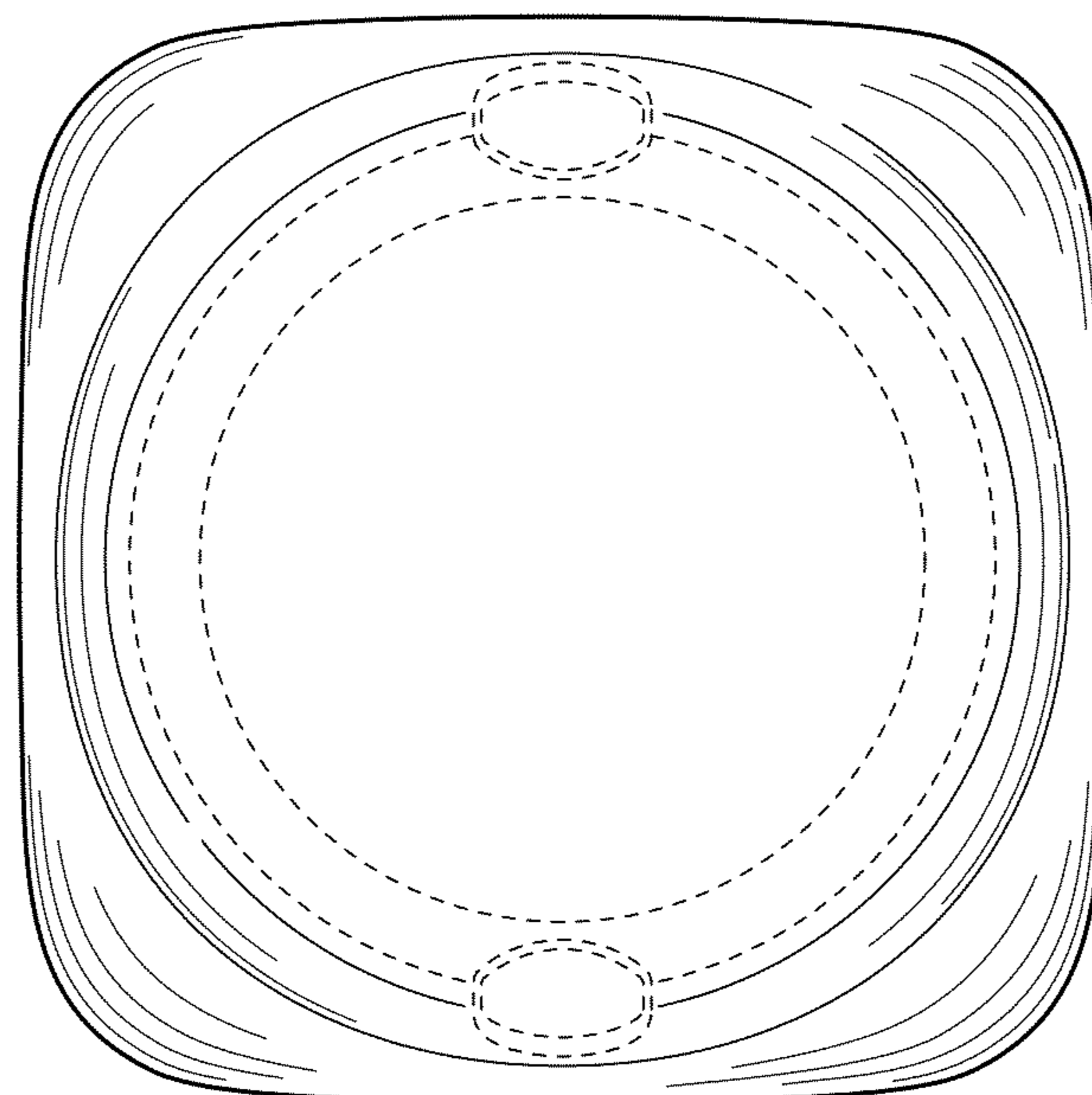


FIG. 7