

US00D691480S

(12) **United States Design Patent**  
**Shukla**

(10) **Patent No.:** **US D691,480 S**

(45) **Date of Patent:** **\*\* Oct. 15, 2013**

(54) **BOTTLE**

(76) Inventor: **Mukesh Harilal Shukla**, Surendranagar  
(IN)

(\*\*) Term: **14 Years**

(21) Appl. No.: **29/423,166**

(22) Filed: **May 29, 2012**

(30) **Foreign Application Priority Data**

May 17, 2012 (IN) ..... 245399

(51) **LOC (9) Cl.** ..... **09-01**

(52) **U.S. Cl.**  
USPC ..... **D9/504**; D9/688; D9/529; D24/104

(58) **Field of Classification Search**  
USPC ..... D9/500–505, 516, 529, 537, 545, 549,  
D9/558, 574–575, 445, 682, 686,  
D9/688–692; D24/104; D28/4, 76–78, 82,  
D28/88; 215/379, 381–382; 220/660, 669,  
220/675

See application file for complete search history.

(56) **References Cited**

U.S. PATENT DOCUMENTS

2,201,467 A \* 5/1940 Bloom ..... D28/89

(56) **References Cited**  
2,340,037 A \* 1/1944 Zipper ..... D24/104

4,393,974 A \* 7/1983 Levesque ..... 220/4.26  
D403,965 S \* 1/1999 Bright et al. .... D9/503  
D499,653 S \* 12/2004 Karim ..... D9/529  
D584,961 S \* 1/2009 Yakoby ..... D9/690  
D585,298 S \* 1/2009 Yakoby ..... D9/688  
D589,361 S \* 3/2009 Murata ..... D9/689  
D661,192 S \* 6/2012 Hwang ..... D9/504

\* cited by examiner

*Primary Examiner* — Wan Laymon

(74) *Attorney, Agent, or Firm* — Seed IP Law Group PLLC

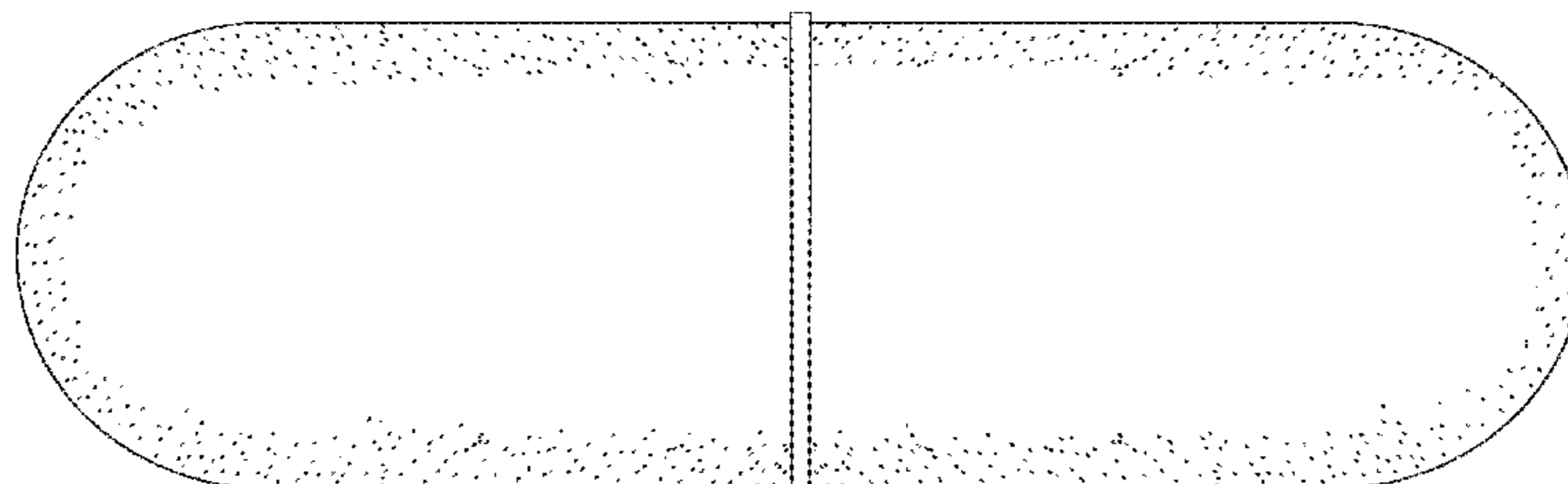
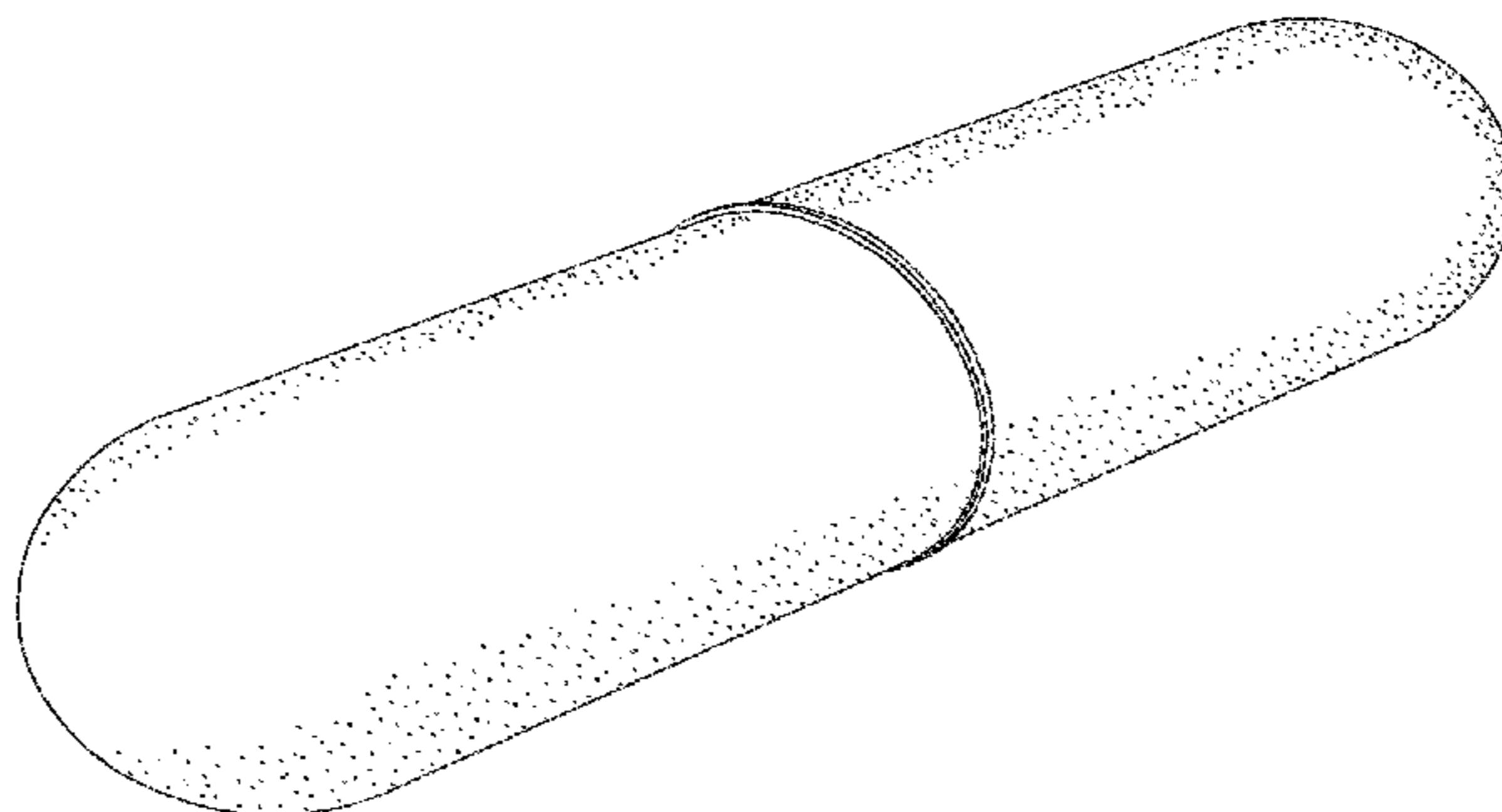
(57) **CLAIM**

The ornamental design for a bottle, as shown and described.

**DESCRIPTION**

FIG. 1 is perspective view of a bottle showing my new design.  
FIG. 2 is another perspective view thereof.  
FIG. 3 is a front elevational view thereof, the rear elevational  
view being identical.  
FIG. 4 is a top plan view thereof, the bottom plan view being  
identical; and,  
FIG. 5 is a right side elevational view thereof, the left side  
elevational view being identical.

**1 Claim, 5 Drawing Sheets**



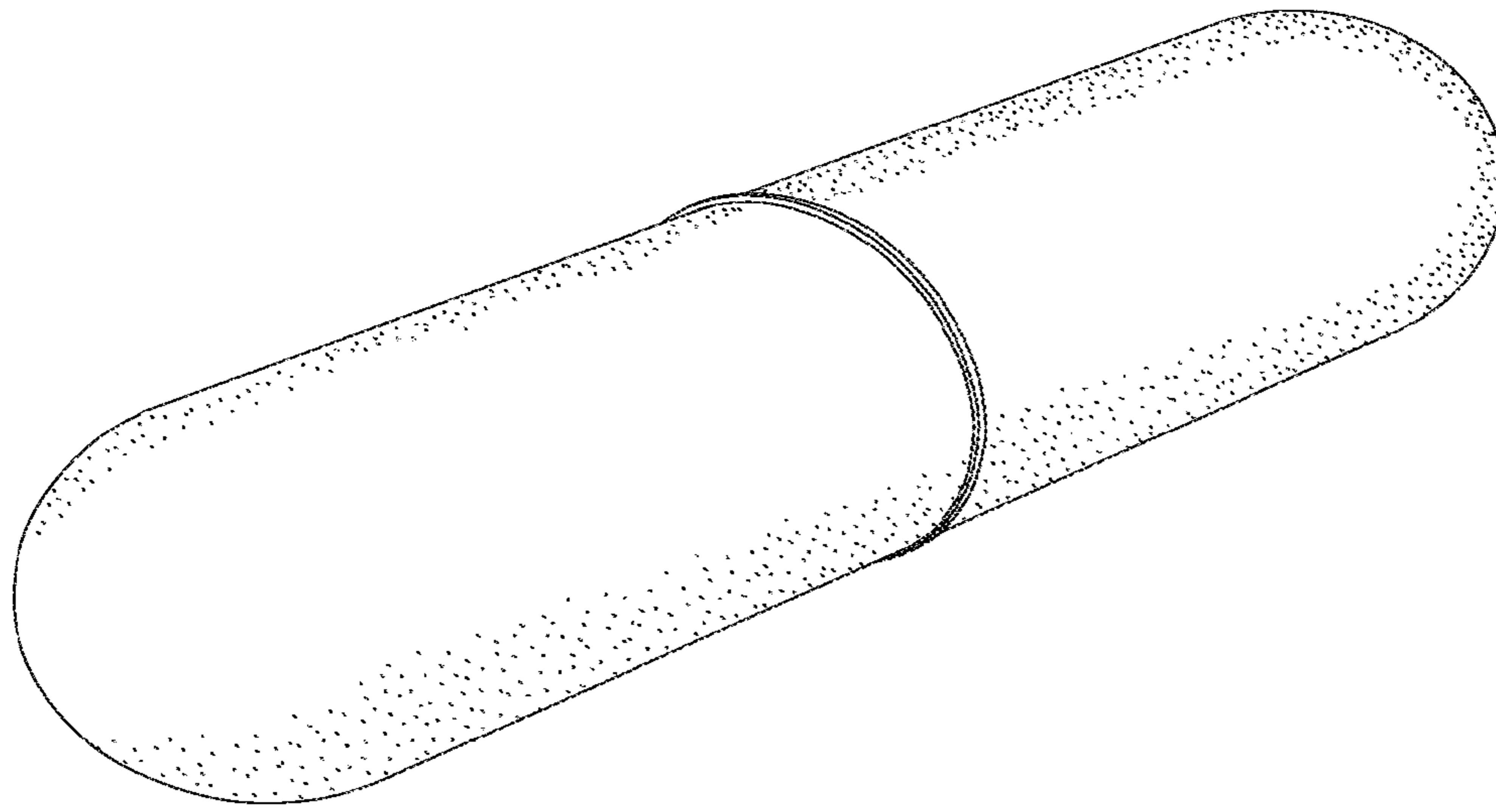


FIGURE 1

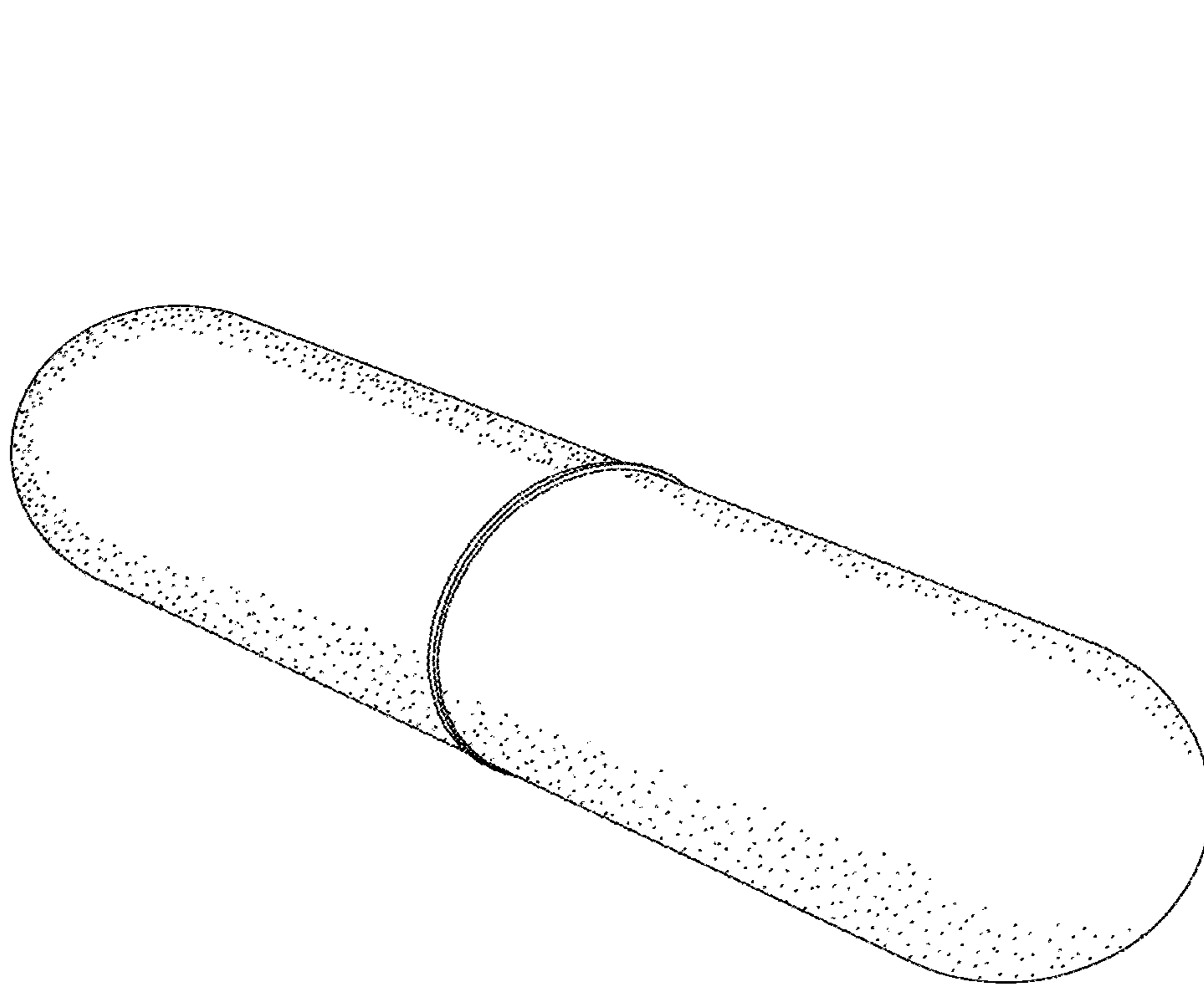


FIGURE 2

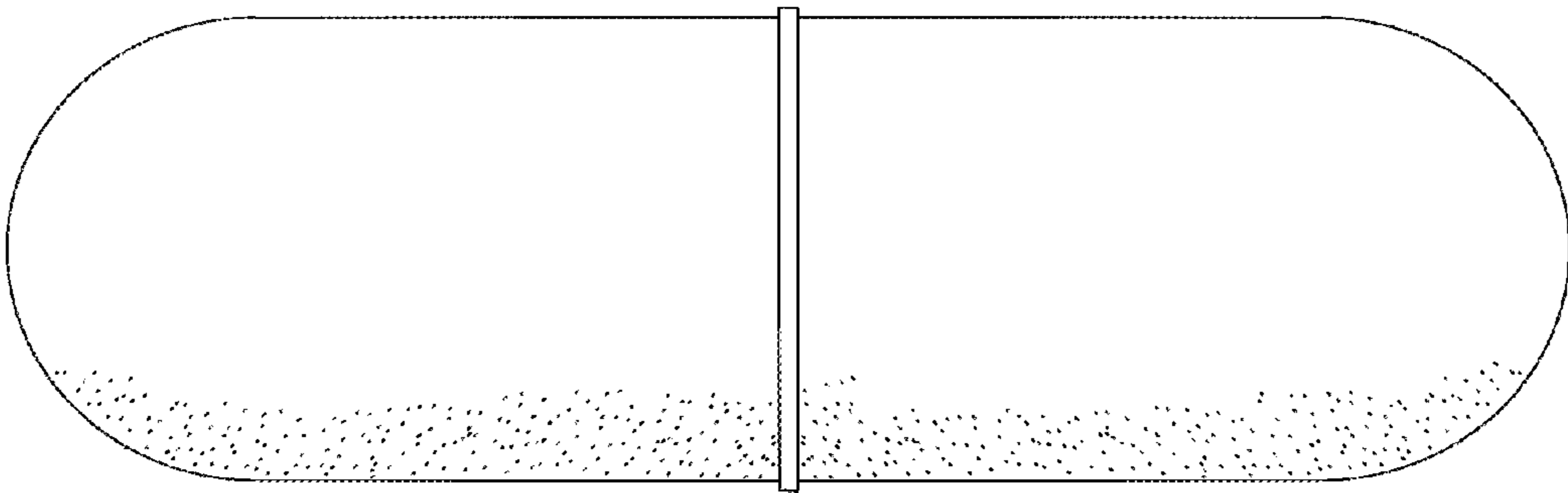


FIGURE 3

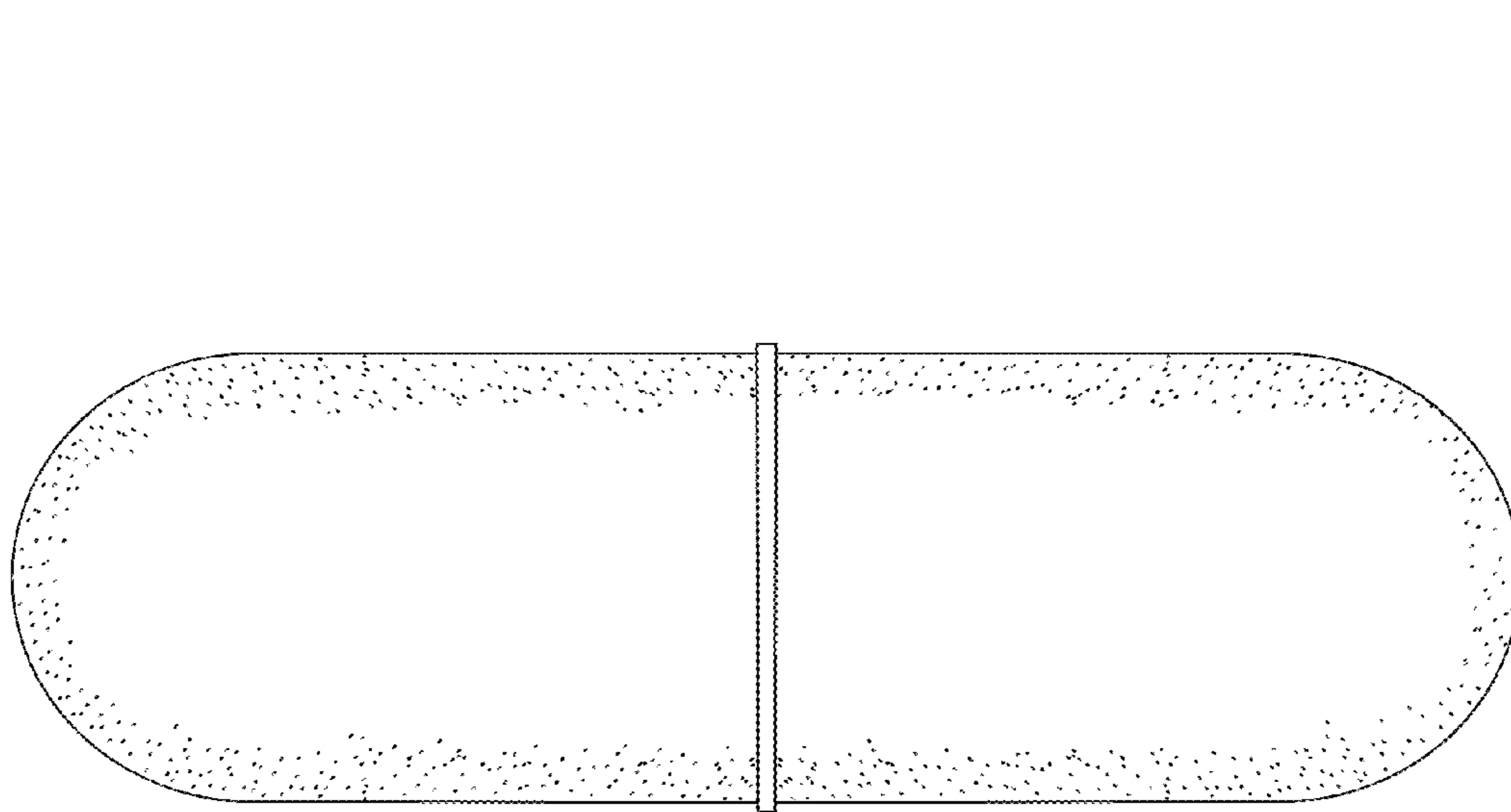
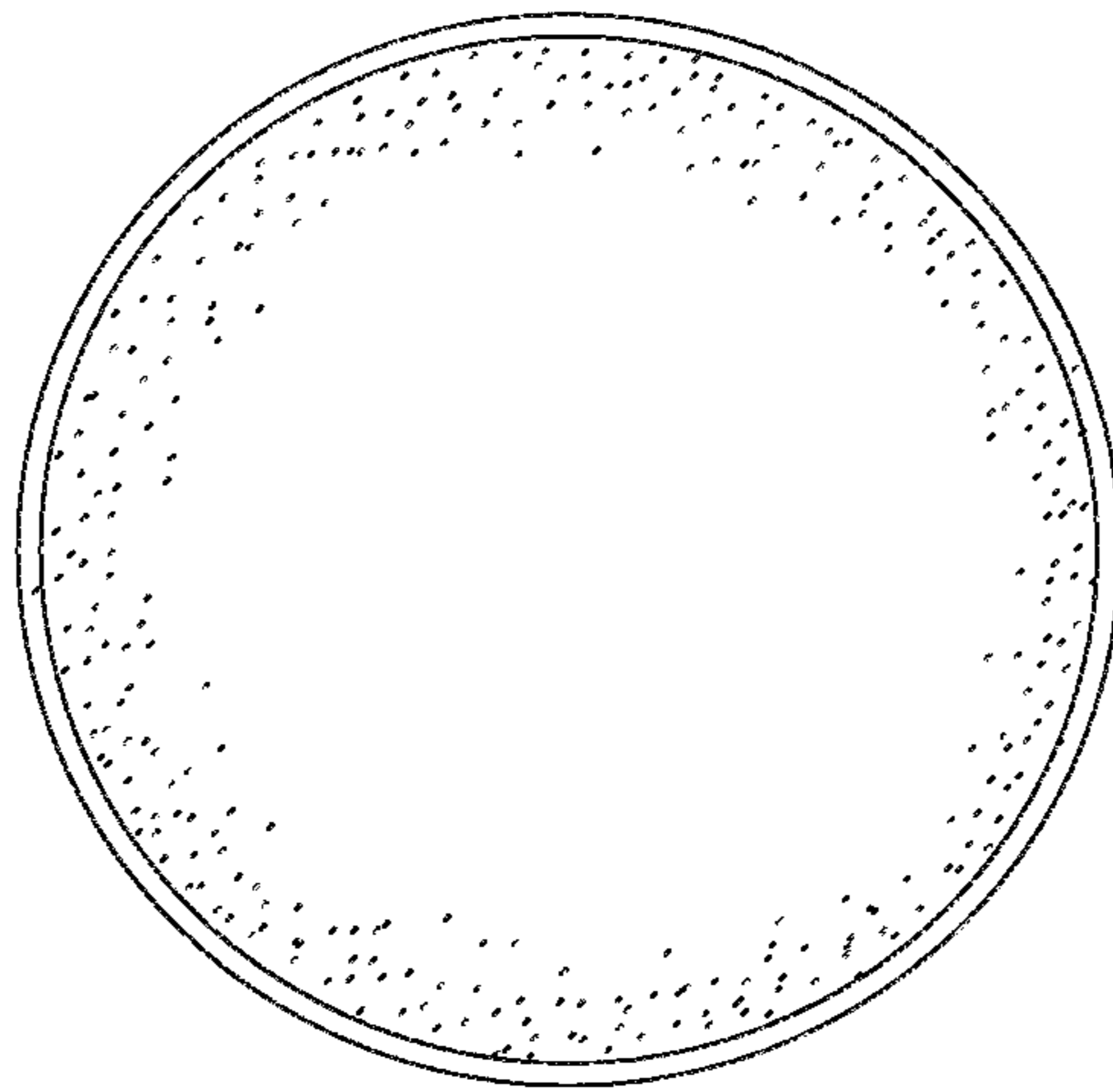


FIGURE 4



**FIGURE 5**