



US00D691477S

(12) **United States Design Patent**
Tomkins et al.

(10) **Patent No.:** **US D691,477 S**
(45) **Date of Patent:** **** Oct. 15, 2013**

(54) **BOTTLE**

(75) Inventors: **Steven Tomkins**, Pleasanton, CA (US);
John Jamieson, Pleasanton, CA (US);
Elizabeth Piscotty, Livermore, CA
(US); **Markus Professner**, McDonough,
GA (US); **Christian Zmoelnig**,
McDonough, GA (US); **Thomas**
Hlavacek, Hard (AT)

(73) Assignee: **The Clorox Company**, Oakland, CA
(US)

(**) Term: **14 Years**

(21) Appl. No.: **29/411,149**

(22) Filed: **Jan. 17, 2012**

(51) **LOC (9) Cl.** **09-01**

(52) **U.S. Cl.**
USPC **D9/500**; D9/539; D9/550; D9/558

(58) **Field of Classification Search**
USPC D9/500, 502–505, 516, 537, 539, 549,
D9/550, 558, 529; 215/379, 381–384;
220/660, 669–673, 675

See application file for complete search history.

(56) **References Cited**

U.S. PATENT DOCUMENTS

D187,399 S *	3/1960	Campbell	D9/500
D211,683 S *	7/1968	Johnson et al.	D9/500
D217,129 S *	4/1970	Beeby	D9/504
D241,713 S *	10/1976	Plummer	D9/500
D245,068 S *	7/1977	Ruriani	D9/503
D264,182 S *	5/1982	Kemp et al.	D9/503
D292,880 S *	11/1987	Jacobs et al.	D9/500

D293,888 S *	1/1988	Rogler	D9/500
D294,677 S *	3/1988	Rogler	D9/500
D332,748 S *	1/1993	Reece et al.	
D375,265 S *	11/1996	Meisner et al.	
D378,664 S *	4/1997	Feen	
D403,578 S *	1/1999	Paul et al.	
D414,421 S *	9/1999	Paul et al.	
D450,588 S *	11/2001	Lane et al.	D9/500
D477,226 S *	7/2003	Chirico et al.	D9/503
D507,972 S *	8/2005	Kitamura et al.	
D518,731 S *	4/2006	Yourist et al.	
D527,268 S *	8/2006	Kitamura et al.	
D556,585 S *	12/2007	Money et al.	
D578,006 S *	10/2008	Houck et al.	
D642,922 S *	8/2011	Kuzma et al.	D9/502

* cited by examiner

Primary Examiner — Terry Wallace

Assistant Examiner — Dana L Meyrow

(74) *Attorney, Agent, or Firm* — Thomas C. Feix

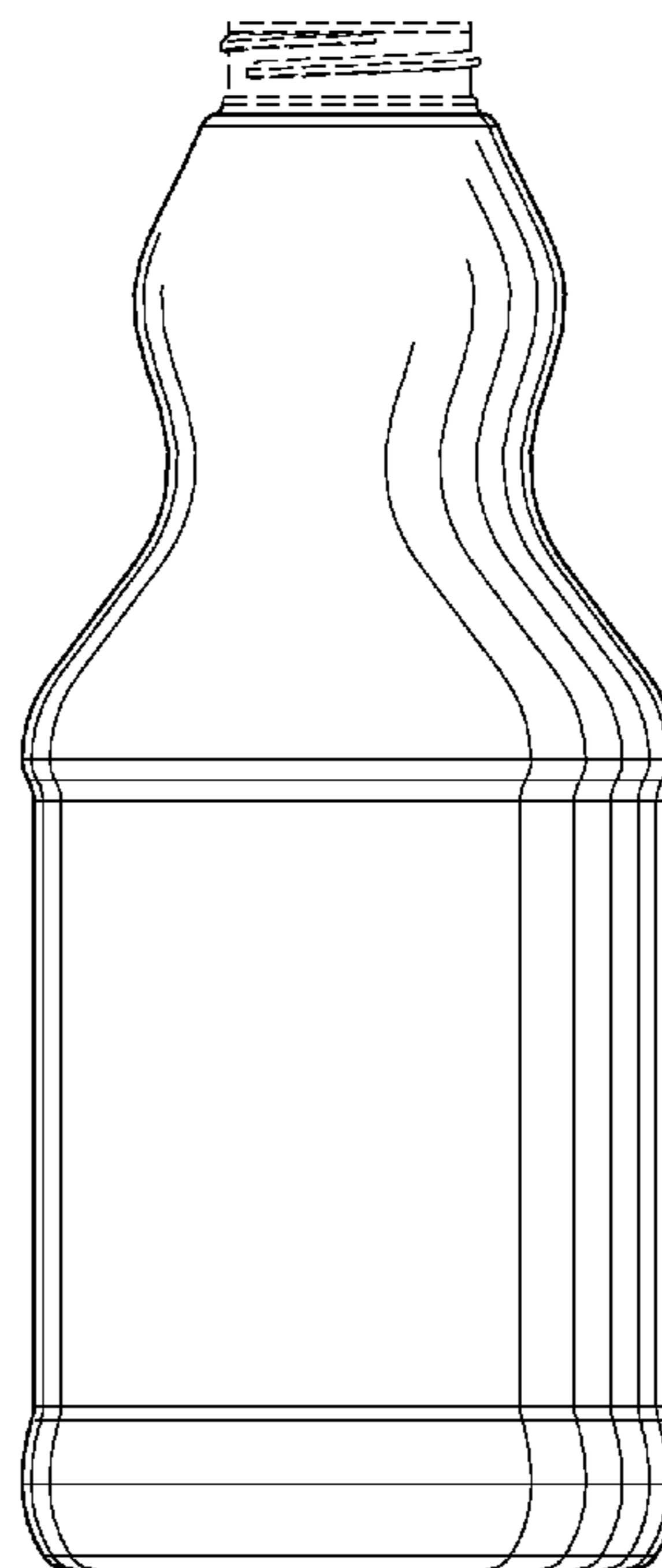
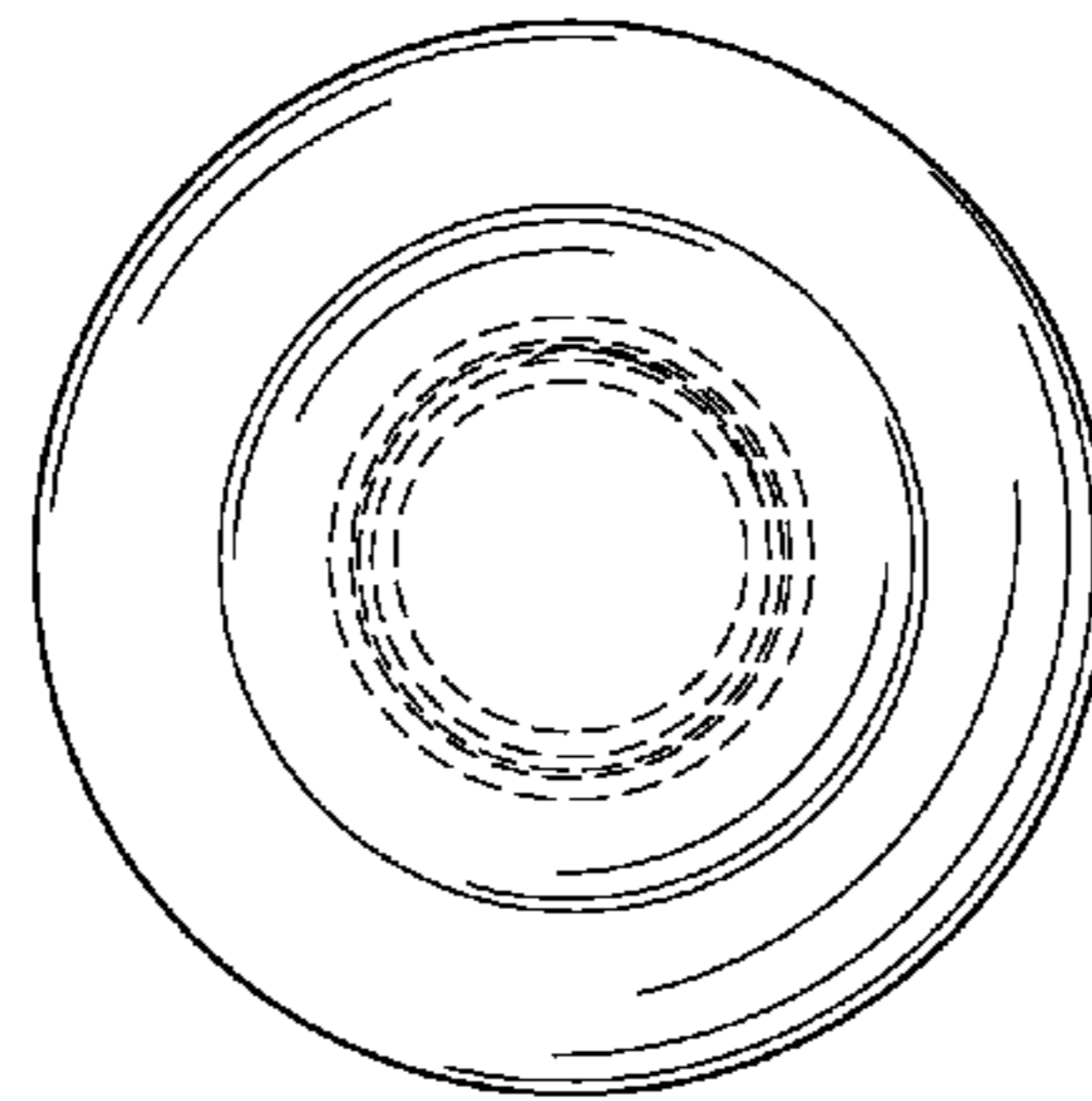
(57) **CLAIM**

We claim an ornamental design for the bottle, as shown and described.

DESCRIPTION

FIG. 1 is a top perspective view of a bottle according to the present invention;
FIG. 2 is a top plan view thereof;
FIG. 3 is a left side elevation view thereof;
FIG. 4 is a right side elevation view thereof;
FIG. 5 is a front elevation view thereof; and,
FIG. 6 is a rear elevation view thereof.
The dashed lines are included for illustrating environmental structure and form no part of the claimed design.

1 Claim, 2 Drawing Sheets



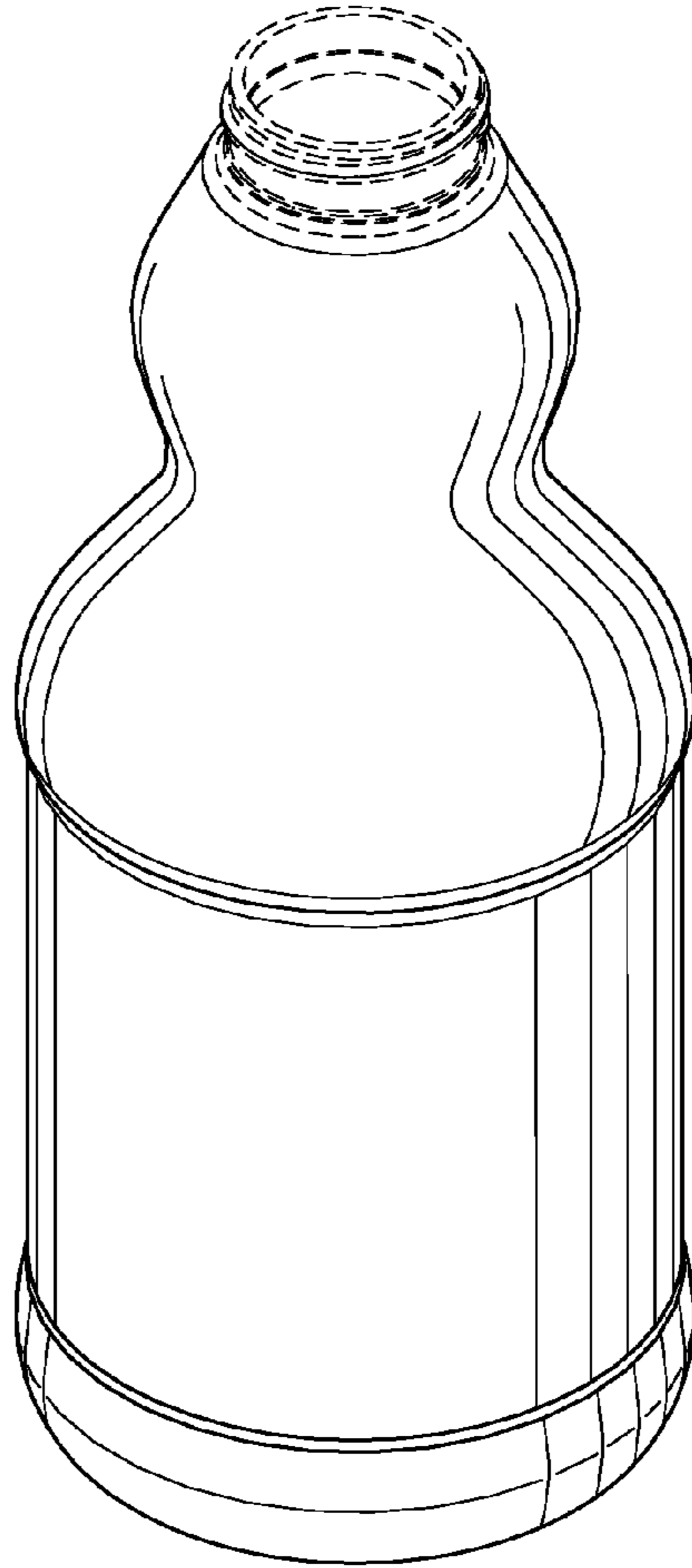


FIG. 1

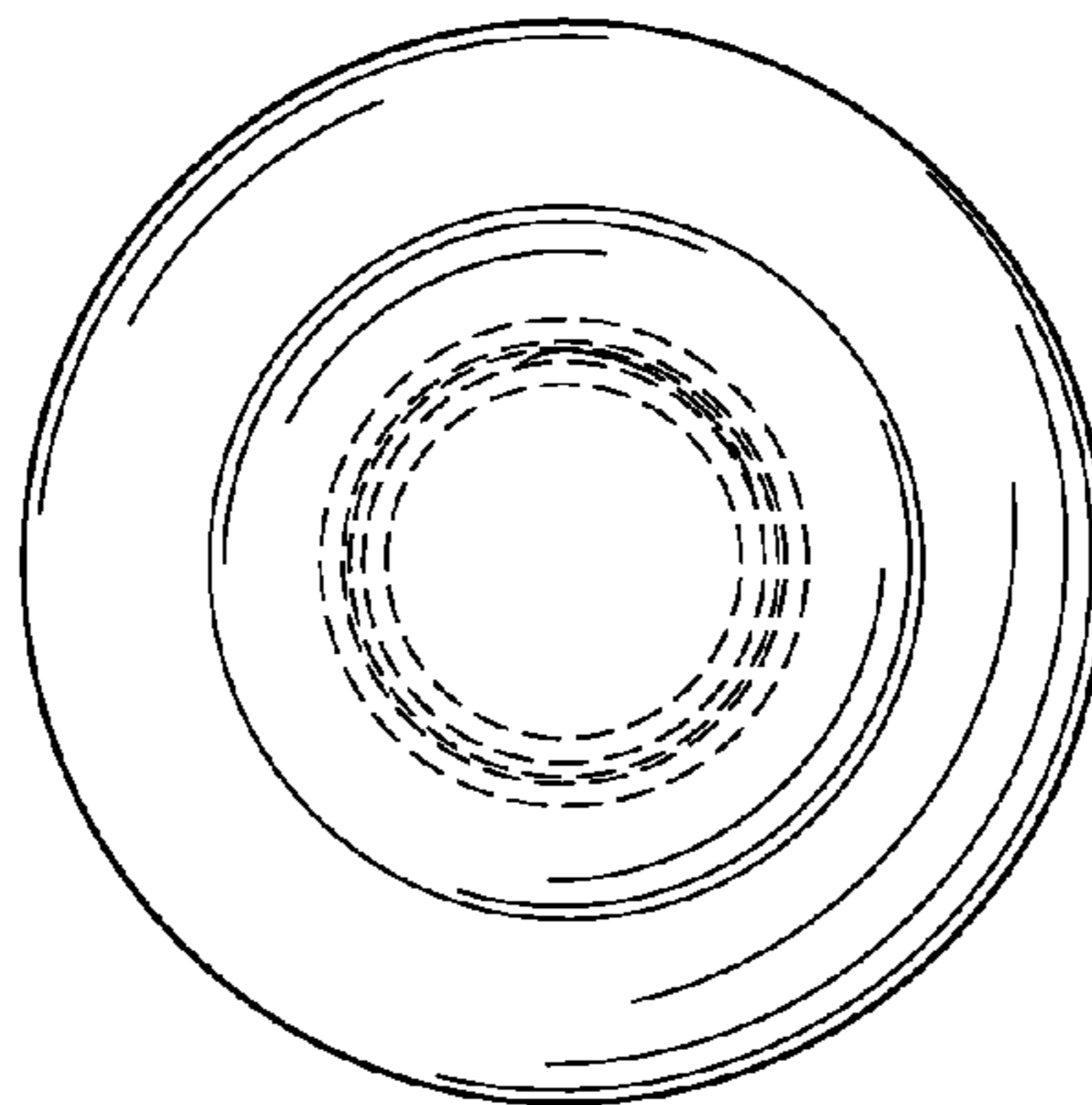


FIG. 2

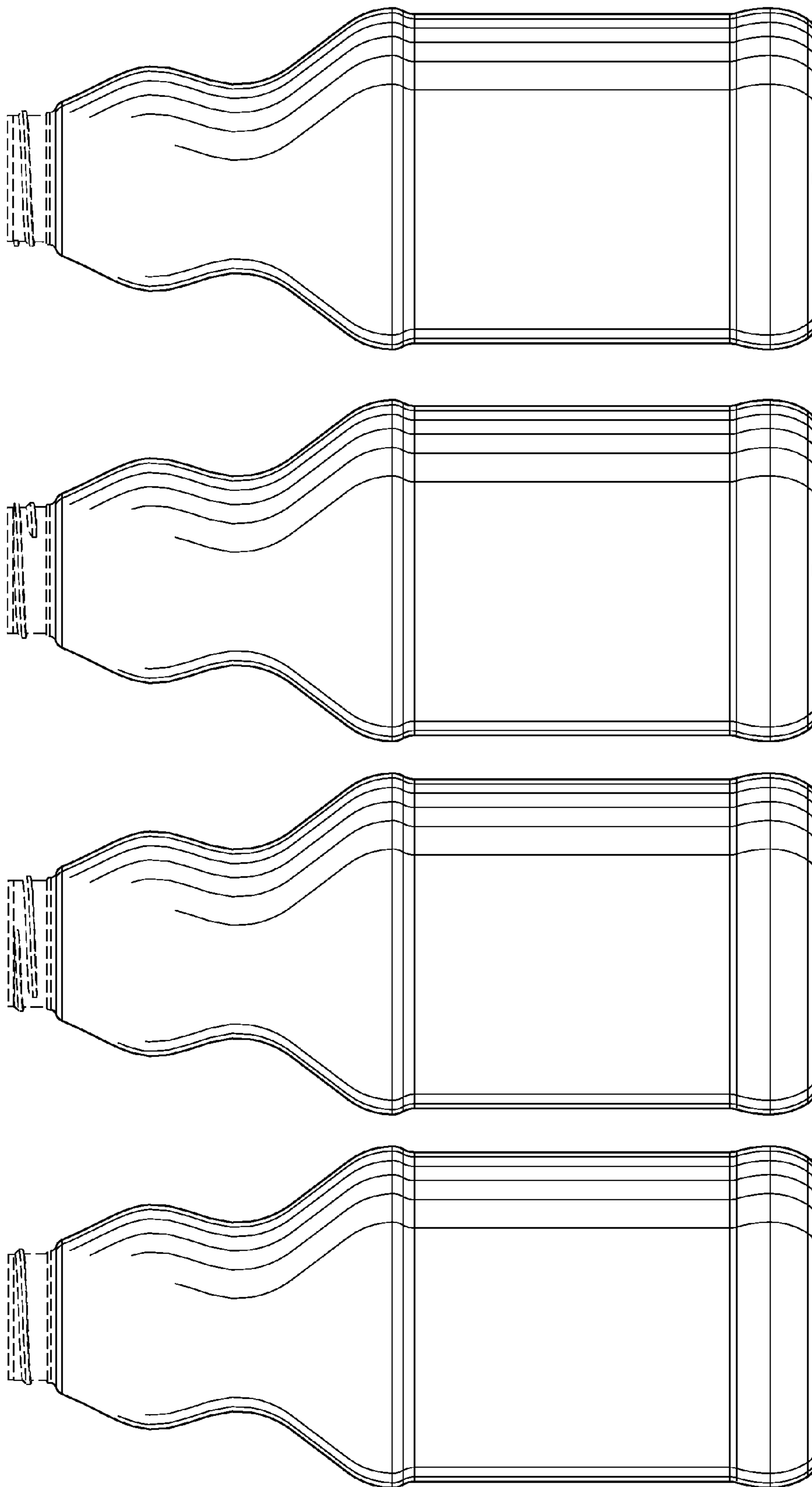


FIG. 6

FIG. 5

FIG. 4

FIG. 3