

US00D691473S

(12) **United States Design Patent**
Smith et al.

(10) **Patent No.:** **US D691,473 S**

(45) **Date of Patent:** **** Oct. 15, 2013**

(54) **WATER CLOSURE**

(56) **References Cited**

(71) Applicants: **Mark Smith**, Gloucestershire (GB);
Rodney Malcolm Druit, Cheltenham
(GB)

U.S. PATENT DOCUMENTS

D89,809 S *	5/1933	Von Till	D9/453
D93,650 S *	10/1934	Fleisch	D9/453
D105,858 S *	8/1937	Fleisch	D9/453
D106,187 S *	9/1937	Fleisch	D9/453
D291,868 S *	9/1987	Hindle	D9/453
D487,700 S *	3/2004	Bourque et al.	D9/453
D542,655 S *	5/2007	Szczesniak	D9/453
D606,401 S *	12/2009	Kamath et al.	D9/453

(72) Inventors: **Mark Smith**, Gloucestershire (GB);
Rodney Malcolm Druit, Cheltenham
(GB)

(73) Assignee: **Creanova Universal Closures, Limited**,
Tewkesbury (GB)

* cited by examiner

Primary Examiner — Susan Bennett Hattan

(**) Term: **14 Years**

(74) *Attorney, Agent, or Firm* — Caesar, Rivise, Bernstein,
Cohen & Pokotilow, Ltd.

(21) Appl. No.: **29/439,728**

(57) **CLAIM**

The ornamental design for a water closure, as shown and
described.

(22) Filed: **Dec. 14, 2012**

DESCRIPTION

(30) **Foreign Application Priority Data**

Jun. 15, 2012 (AU) 12839/2012

(51) **LOC (9) Cl.** **09-07**

(52) **U.S. Cl.**
USPC **D9/453**

(58) **Field of Classification Search**
USPC D9/455, 454, 453, 444, 440, 435,
D9/434; D7/396.2; 222/490; 220/903, 739,
220/200; 215/200, 252, 254, 340

FIG. 1 is an isometric view of a water closure in accordance
with my design;

FIG. 2 is a front view of the water closure of FIG. 1;

FIG. 3 is a left side view of the water closure of FIG. 1, the rear
view and right side views being identical;

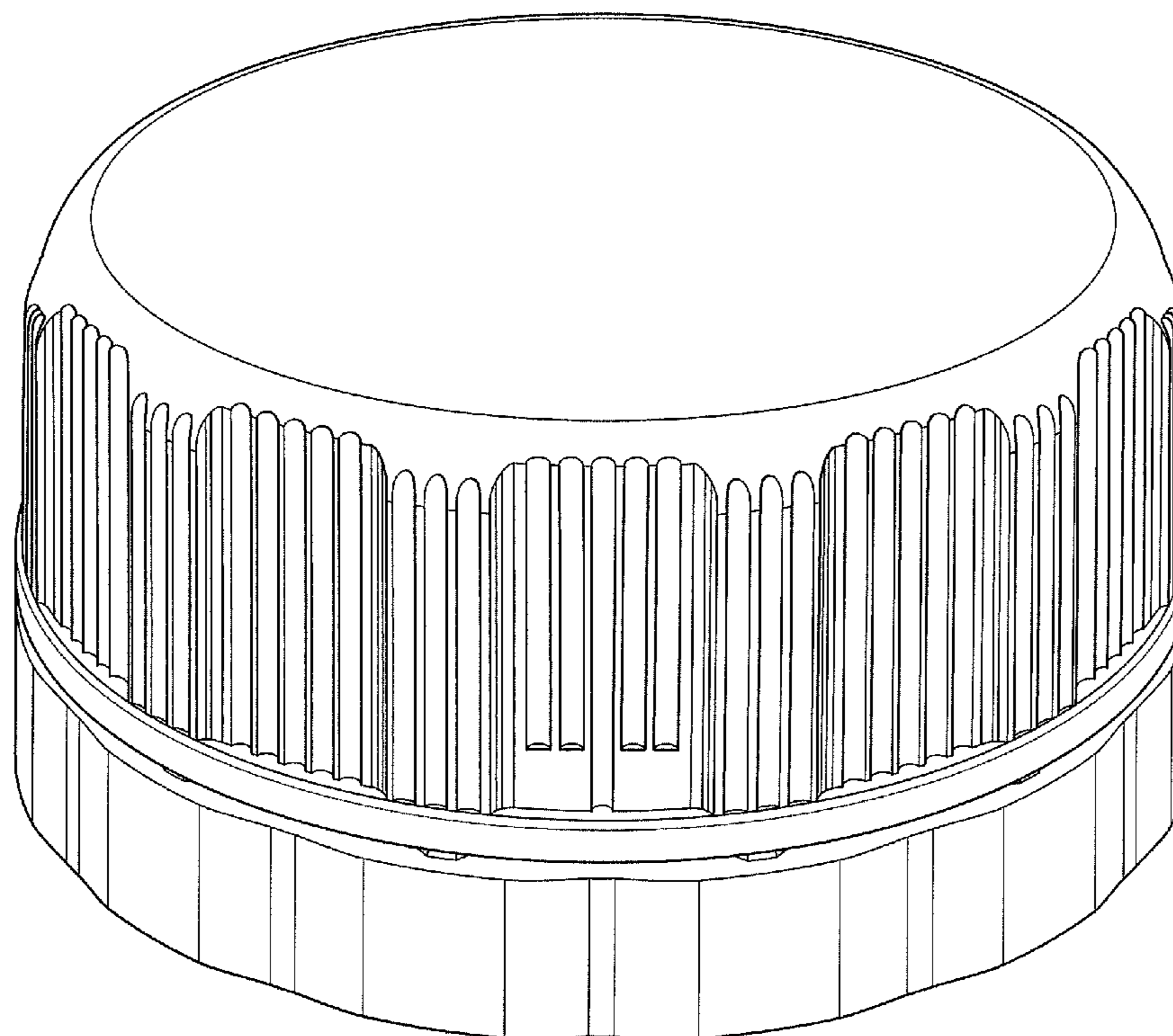
FIG. 4 is a top view of the water closure of FIG. 1; and,

FIG. 5 is a bottom view of the water closure of FIG. 1.

The dashed lines shown in the figures represent environmen-
tal subject matter and form no part of the claimed design.

See application file for complete search history.

1 Claim, 5 Drawing Sheets



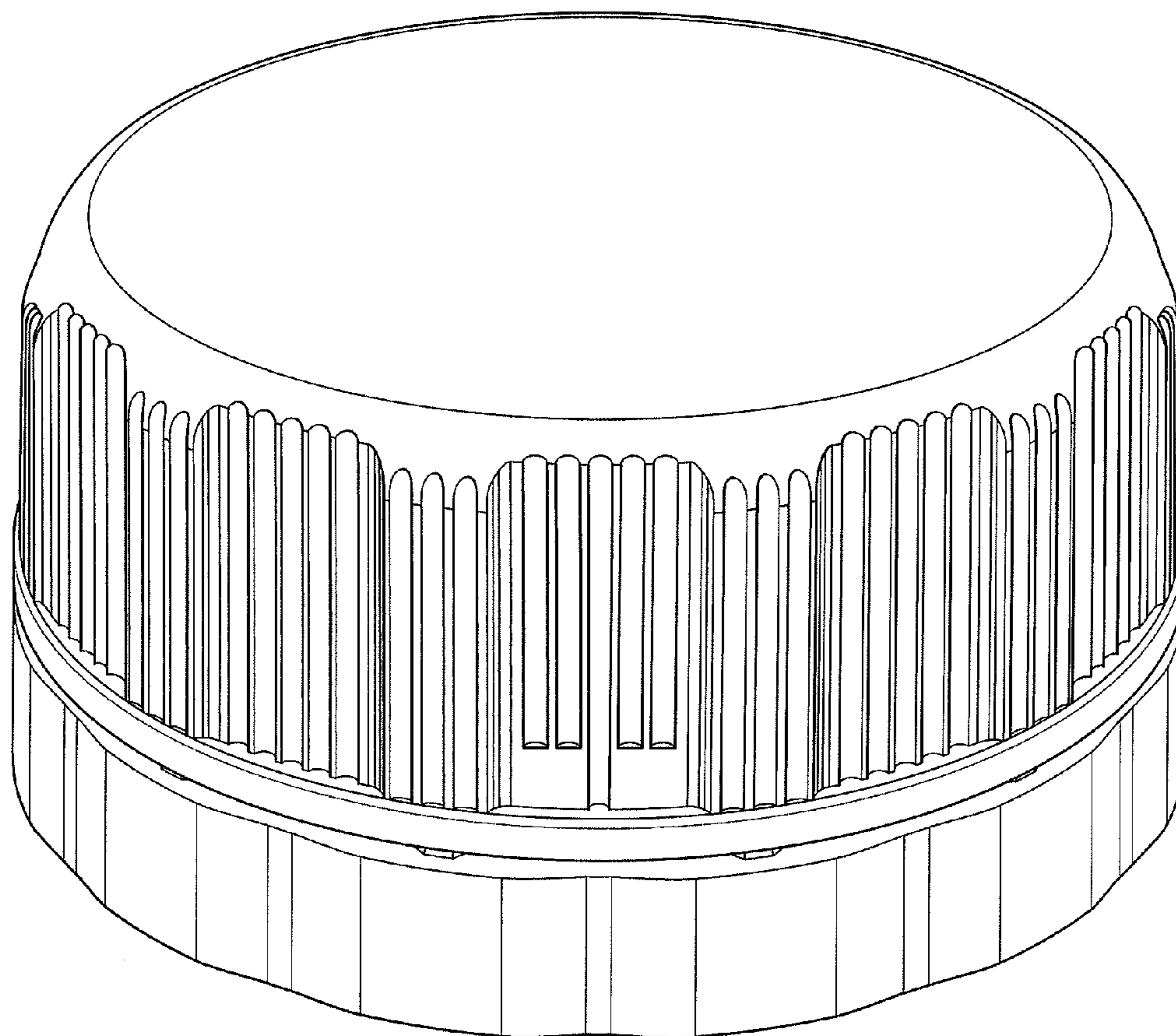


FIG. 1

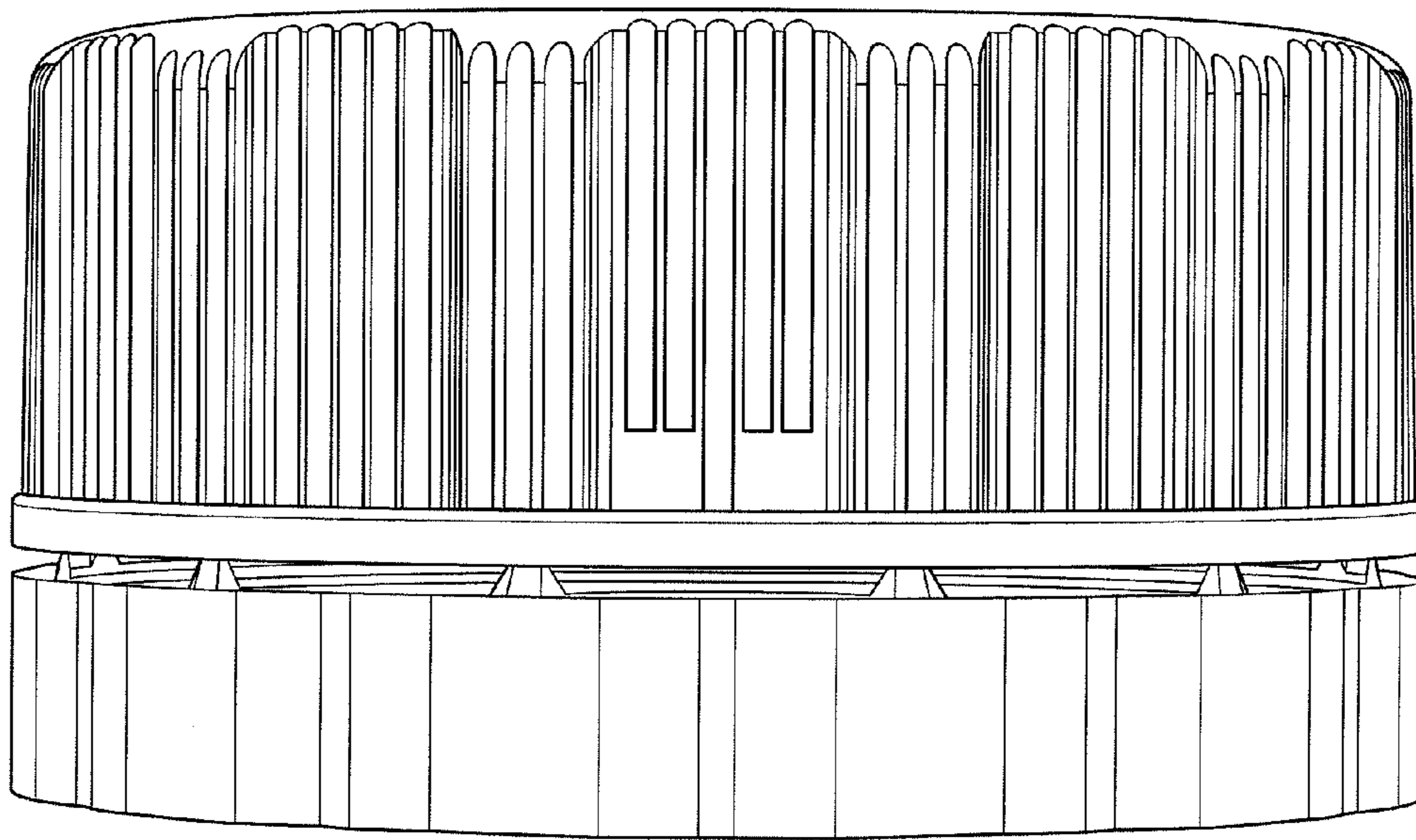


FIG. 2

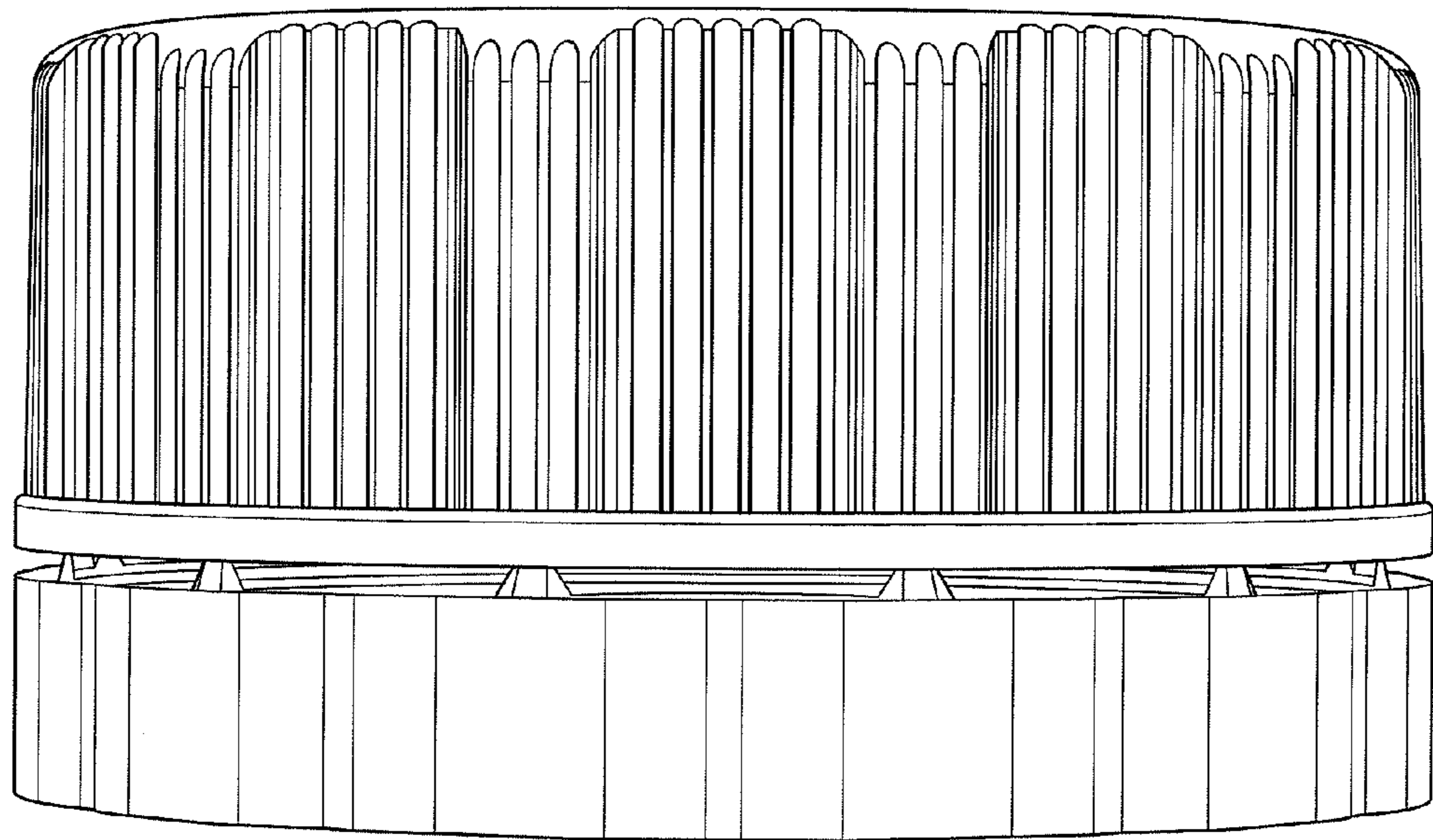


FIG. 3

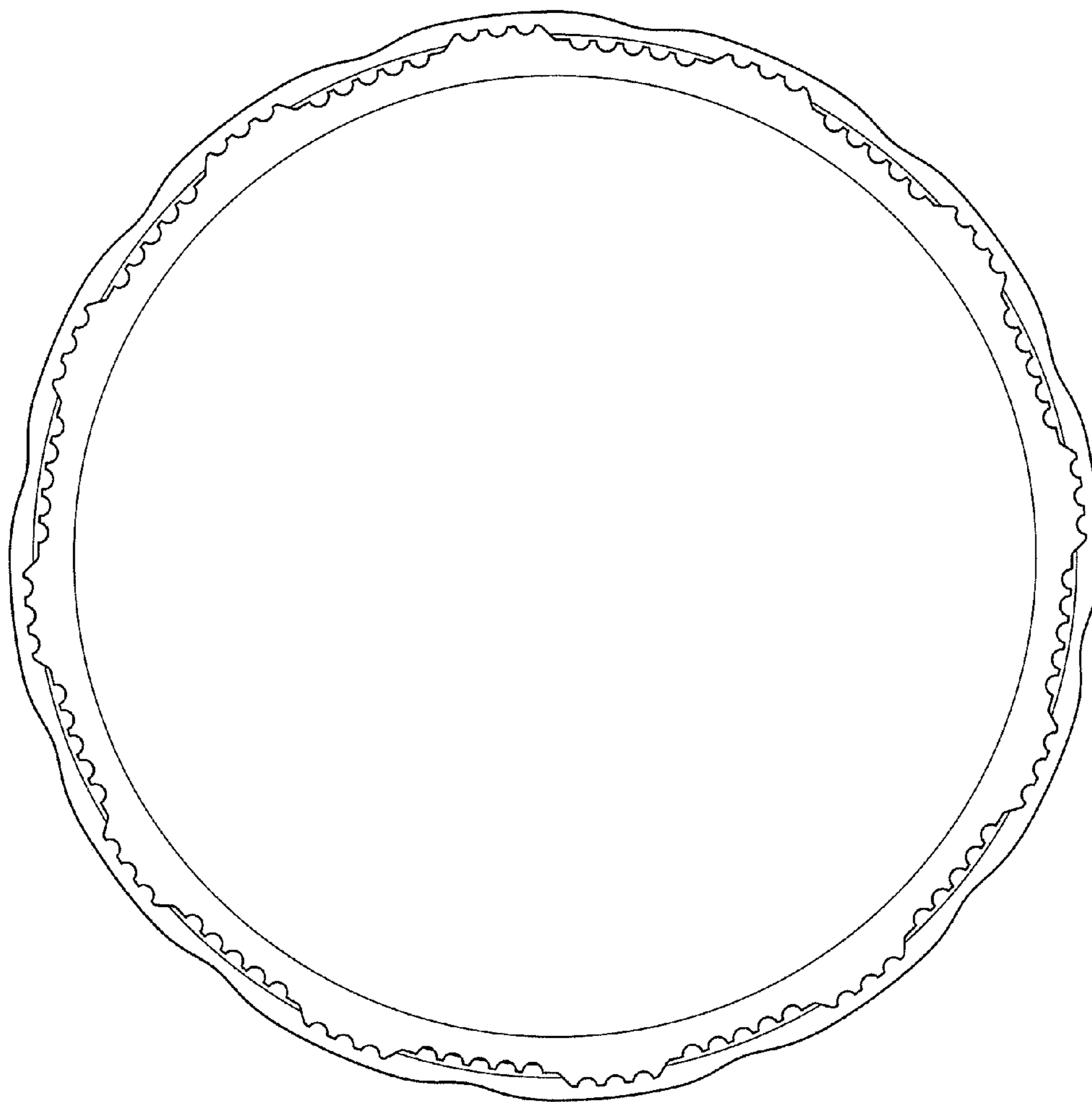


FIG. 4

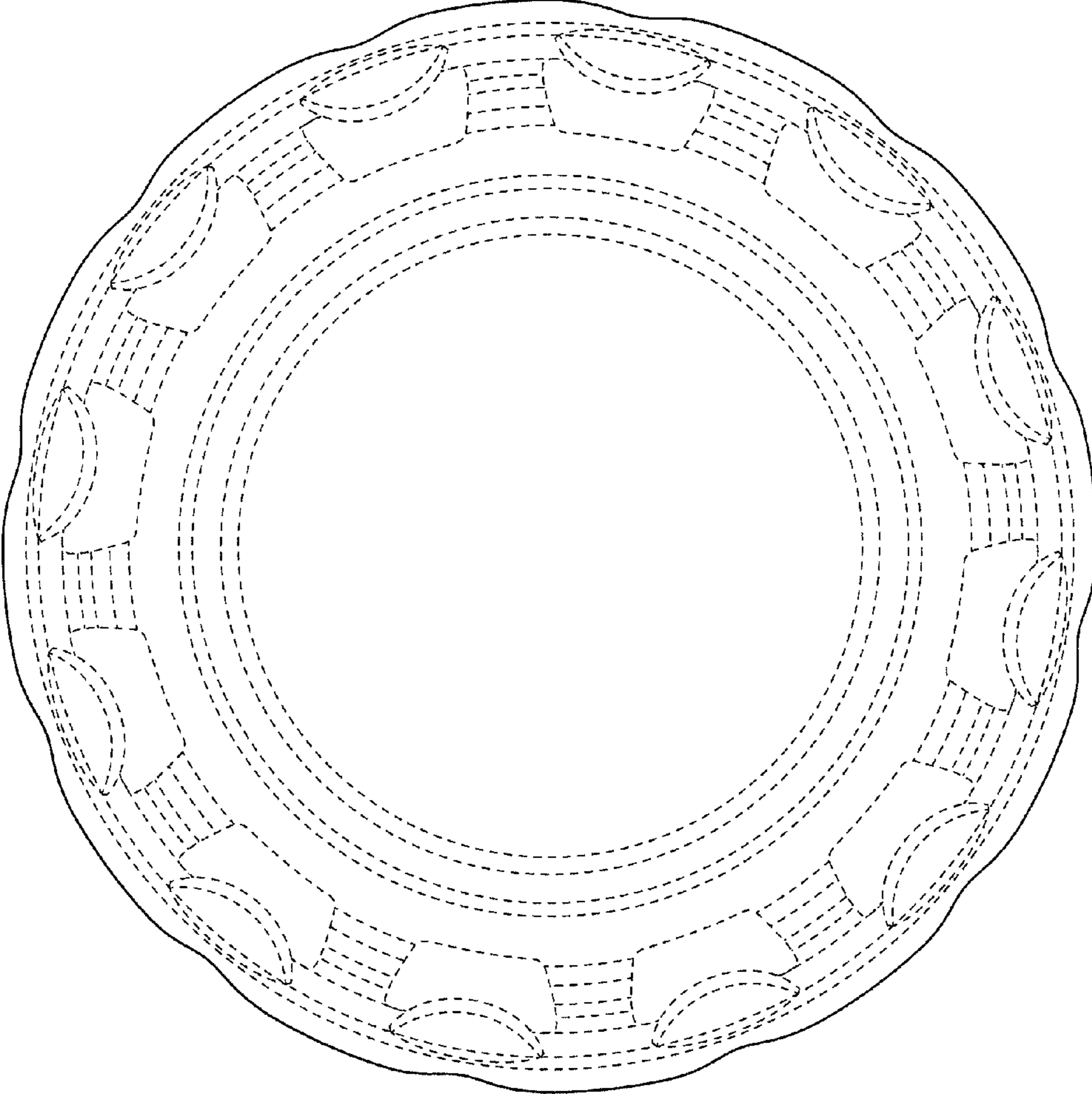


FIG. 5