



US00D691469S

(12) **United States Design Patent**
Mohler et al.

(10) **Patent No.:** **US D691,469 S**
(45) **Date of Patent:** **** Oct. 15, 2013**

(54) **CONTAINER**

(75) Inventors: **Niketa Mohler**, Ossining, NY (US);
Kristina Lambros, Sleepy Hollow, NY
(US); **Shelley Markoulis**, Wyckoff, NJ
(US); **Piaras Valdis de Cleir**, Tarrytown,
NY (US); **David Burke**, Willowbrook,
IL (US); **Andrew Bunner**, Evansville,
IN (US); **Jordan French**, Evansville, IN
(US)

(73) Assignee: **Kraft Foods Group Brands LLC**,
Northfield, IL (US)

(**) Term: **14 Years**

(21) Appl. No.: **29/419,483**

(22) Filed: **Apr. 27, 2012**

(51) **LOC (9) Cl.** **09-03**

(52) **U.S. Cl.**
USPC **D9/429**

(58) **Field of Classification Search**
USPC D9/414, 418, 424, 425, 428, 429;
D7/619, 629; 229/400-406, 932,
229/906.1; 220/656-659, 669-675, 912,
220/4.21-4.27; 206/553, 557, 541, 775,
206/776

See application file for complete search history.

(56) **References Cited**

U.S. PATENT DOCUMENTS

604,514	A *	5/1898	Belden	215/382
1,331,372	A *	2/1920	Popper	220/669
3,057,536	A	10/1962	Warnsdorfer, Jr. et al.	
3,128,029	A *	4/1964	Price et al.	229/400
3,443,714	A *	5/1969	Edwards	220/671
4,039,435	A	8/1977	Narva	
4,061,782	A	12/1977	Baxter	
4,874,618	A	10/1989	Seaborne et al.	
5,242,077	A	9/1993	Smith et al.	
5,950,913	A	9/1999	Rea et al.	

6,042,858	A	3/2000	Kairys	
6,263,923	B1	7/2001	Castillo	
D473,788	S *	4/2003	Chen et al.	D9/428
D593,407	S *	6/2009	Seo	D9/428

(Continued)

FOREIGN PATENT DOCUMENTS

FR	2205045	A5	5/1974
GB	1427375	A	3/1976

(Continued)

OTHER PUBLICATIONS

“Deli Pot Topper” Pregis.

(Continued)

Primary Examiner — Thomas Johannes

(74) *Attorney, Agent, or Firm* — Fitch, Even, Tabin & Flannery LLP

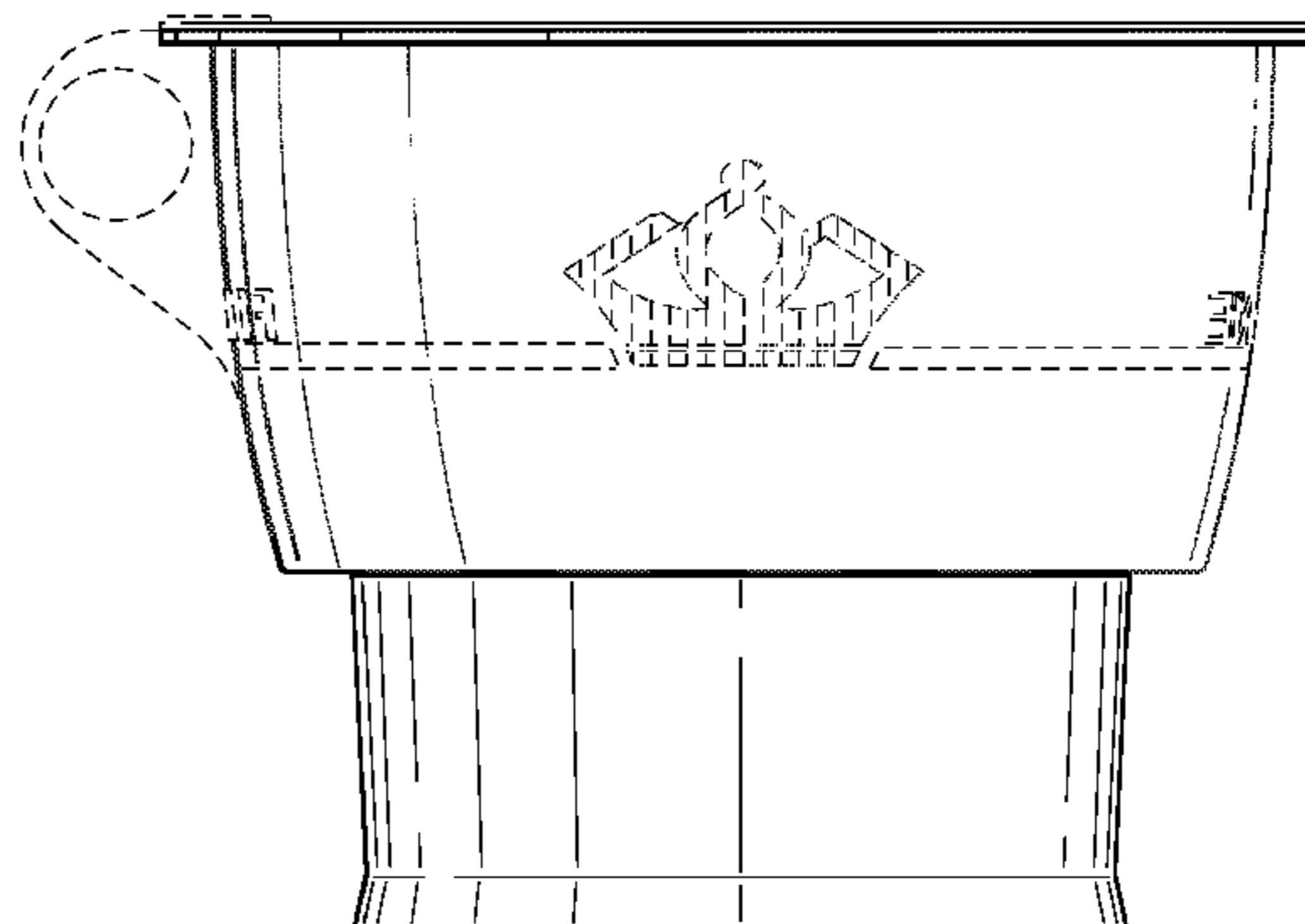
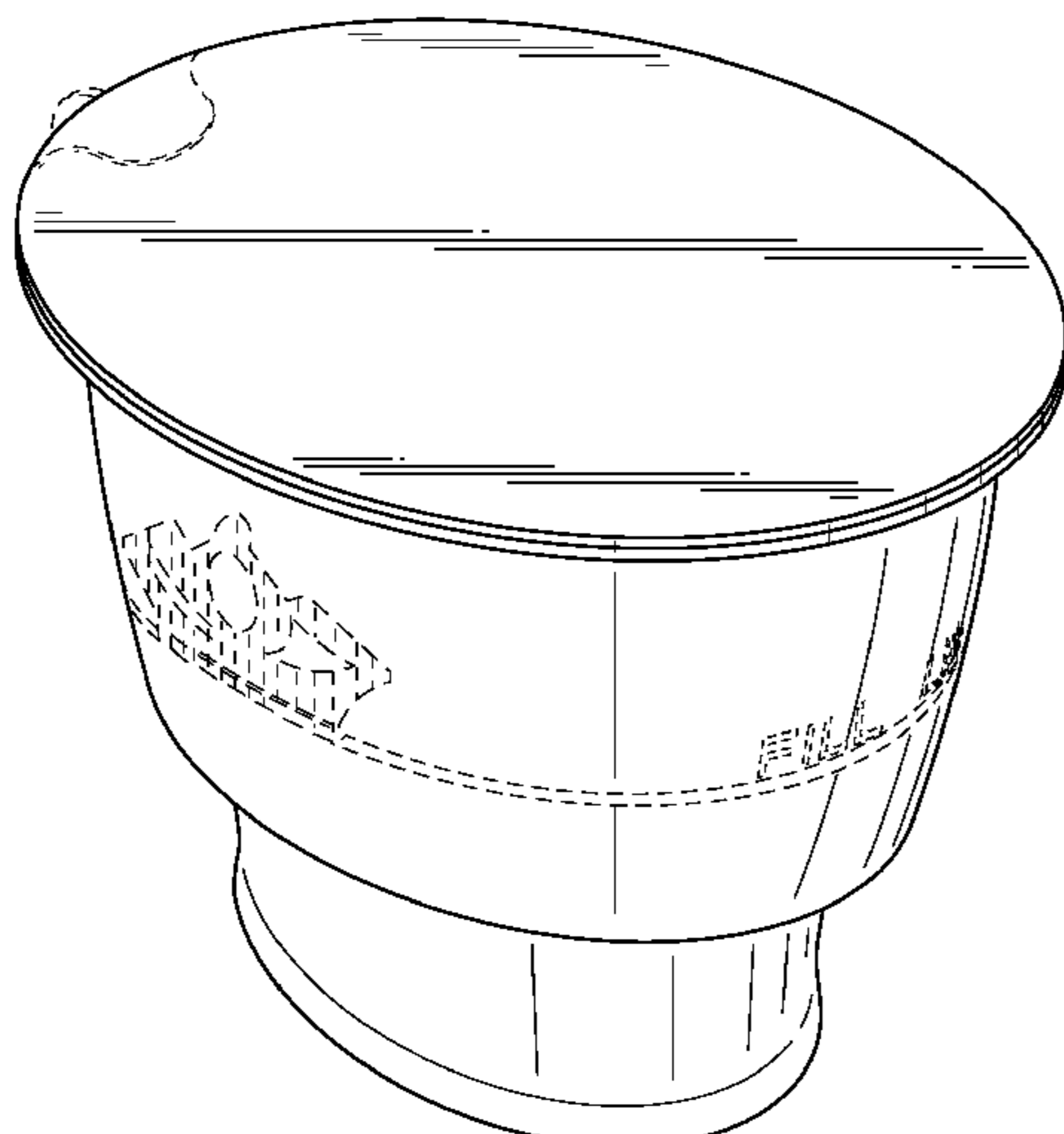
(57) **CLAIM**

The ornamental design for a container, as shown and described.

DESCRIPTION

FIG. 1 is a perspective view of a container showing our new design;
 FIG. 2 is a front elevation view thereof;
 FIG. 3 is a left side elevation view thereof, the right side elevation view being the mirror image thereto;
 FIG. 4 is top plan view thereof;
 FIG. 5 is a rear elevation view thereof;
 FIG. 6 is a bottom plan view thereof;
 FIG. 7 is a cross section view taken along line 7-7 of FIG. 4; and,
 FIG. 8 is a cross section view taken along line 8-8 of FIG. 4.
 The broken line portion of the figure drawings and the internal portion of the container are included to show unclaimed subject matter only and form no part of the claimed design.

1 Claim, 4 Drawing Sheets



(56)

References Cited

U.S. PATENT DOCUMENTS

D617,043 S 6/2010 Patel et al.
D629,243 S 12/2010 Meyl et al.
D643,284 S 8/2011 Zomorodi et al.
D643,285 S 8/2011 Zomorodi et al.
D643,286 S 8/2011 Zomorodi et al.
D645,340 S * 9/2011 Menard et al. D9/428
D646,968 S * 10/2011 Ortiz et al. D9/429
D656,009 S * 3/2012 Ortiz et al. D9/428
D656,010 S * 3/2012 Ortiz et al. D9/429
D671,831 S * 12/2012 Moreau D9/428
2003/0222089 A1 * 12/2003 Hale 220/912
2005/0266122 A1 12/2005 Franceschi
2007/0193894 A1 8/2007 Macken et al.
2009/0092711 A1 4/2009 Ninh et al.

2009/0114650 A1 5/2009 Houston, Jr. et al.
2009/0258115 A1 10/2009 Minfray
2013/0108739 A1 5/2013 Markoulis et al.

FOREIGN PATENT DOCUMENTS

JP 2002102068 A 4/2002
JP 10211953 A 7/2003
WO 9523744 9/1995
WO 2005037678 4/2005

OTHER PUBLICATIONS

International Search Report issued on Jan. 15, 2013 in International Application No. PCT/US2012/061854 (10 pages).
Specification and drawings of U.S. Appl. No. 29/404,933, filed Oct. 26, 2011 (9 pages).

* cited by examiner

FIG. 1

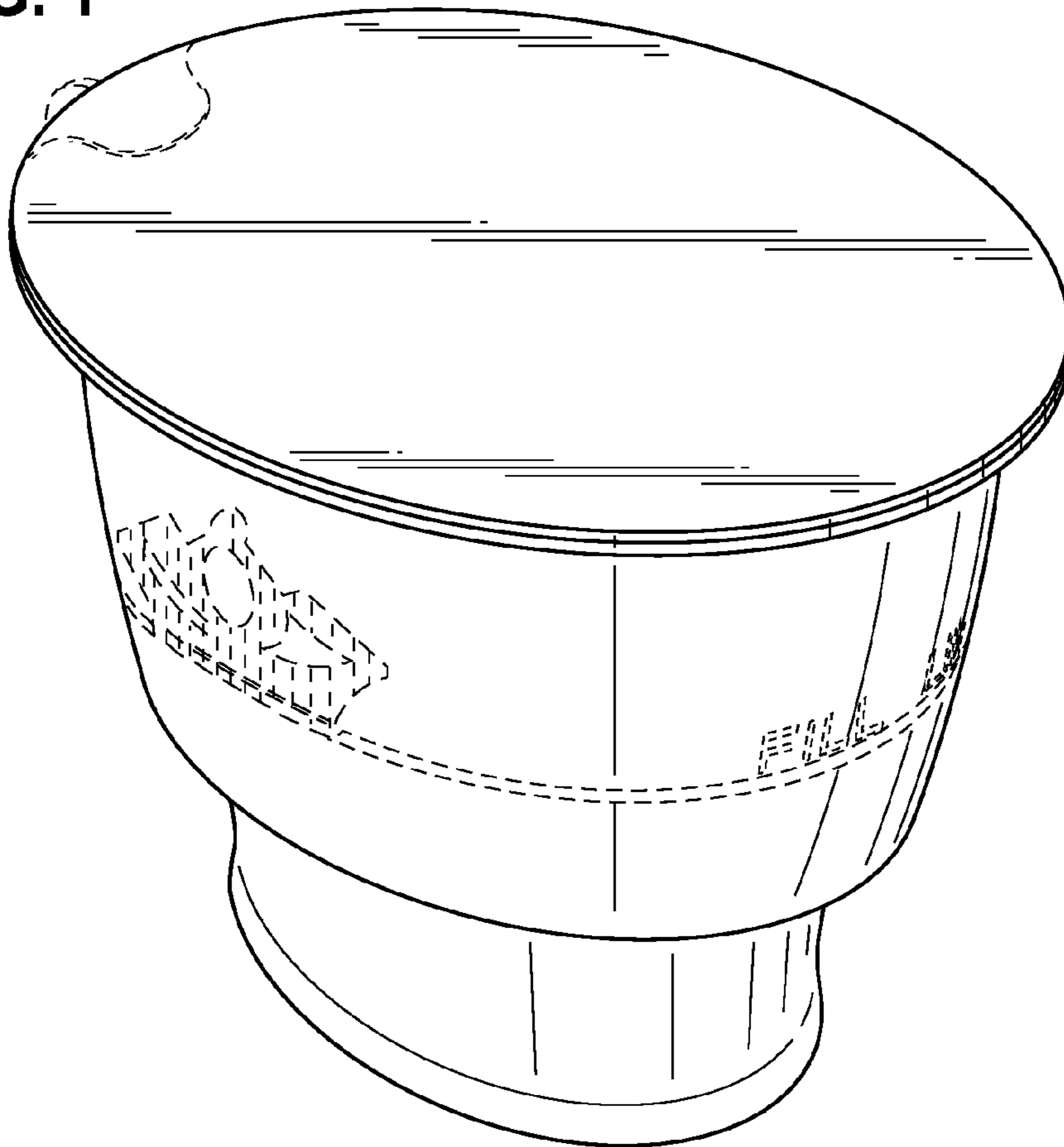


FIG. 2

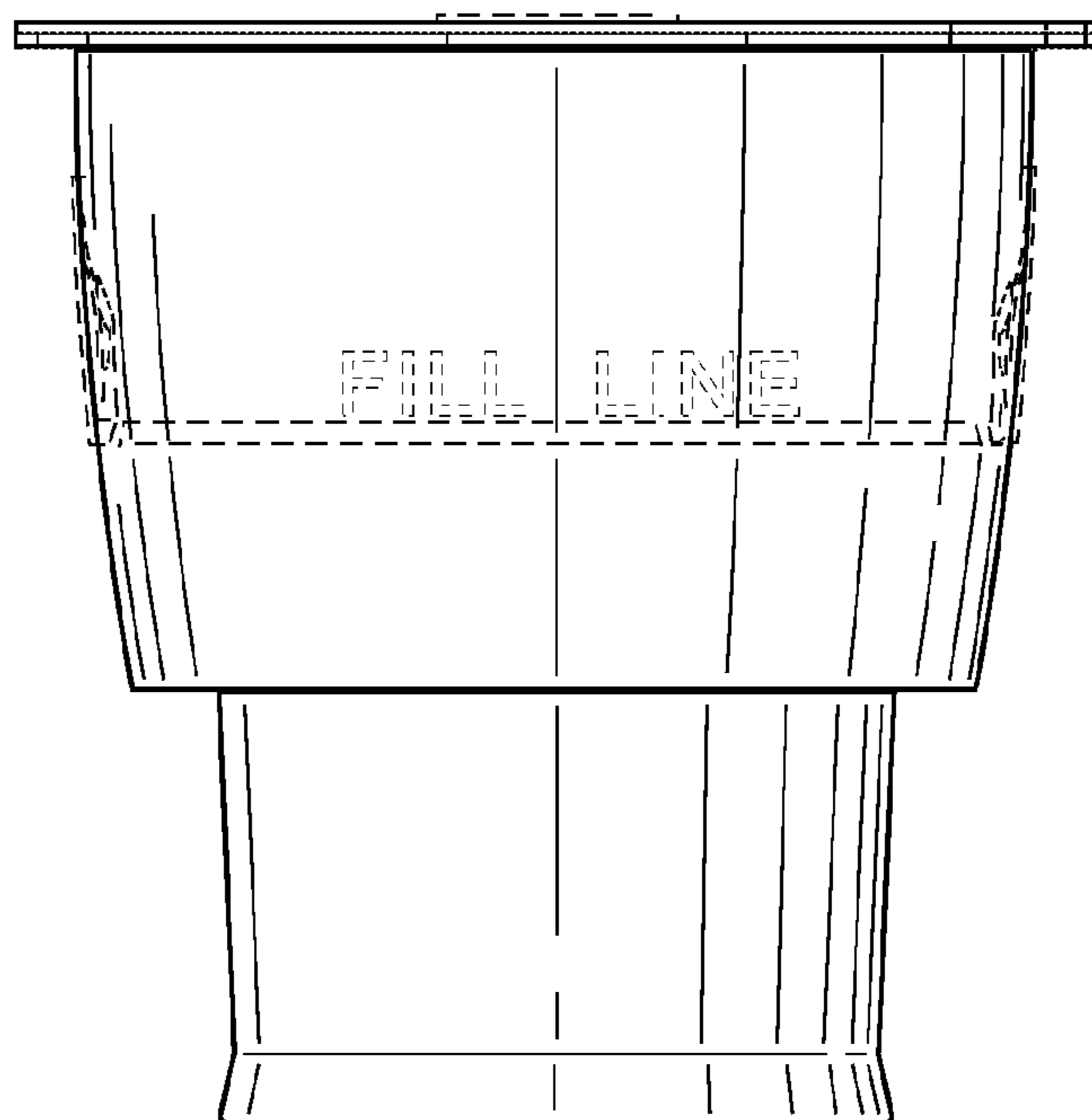


FIG. 3

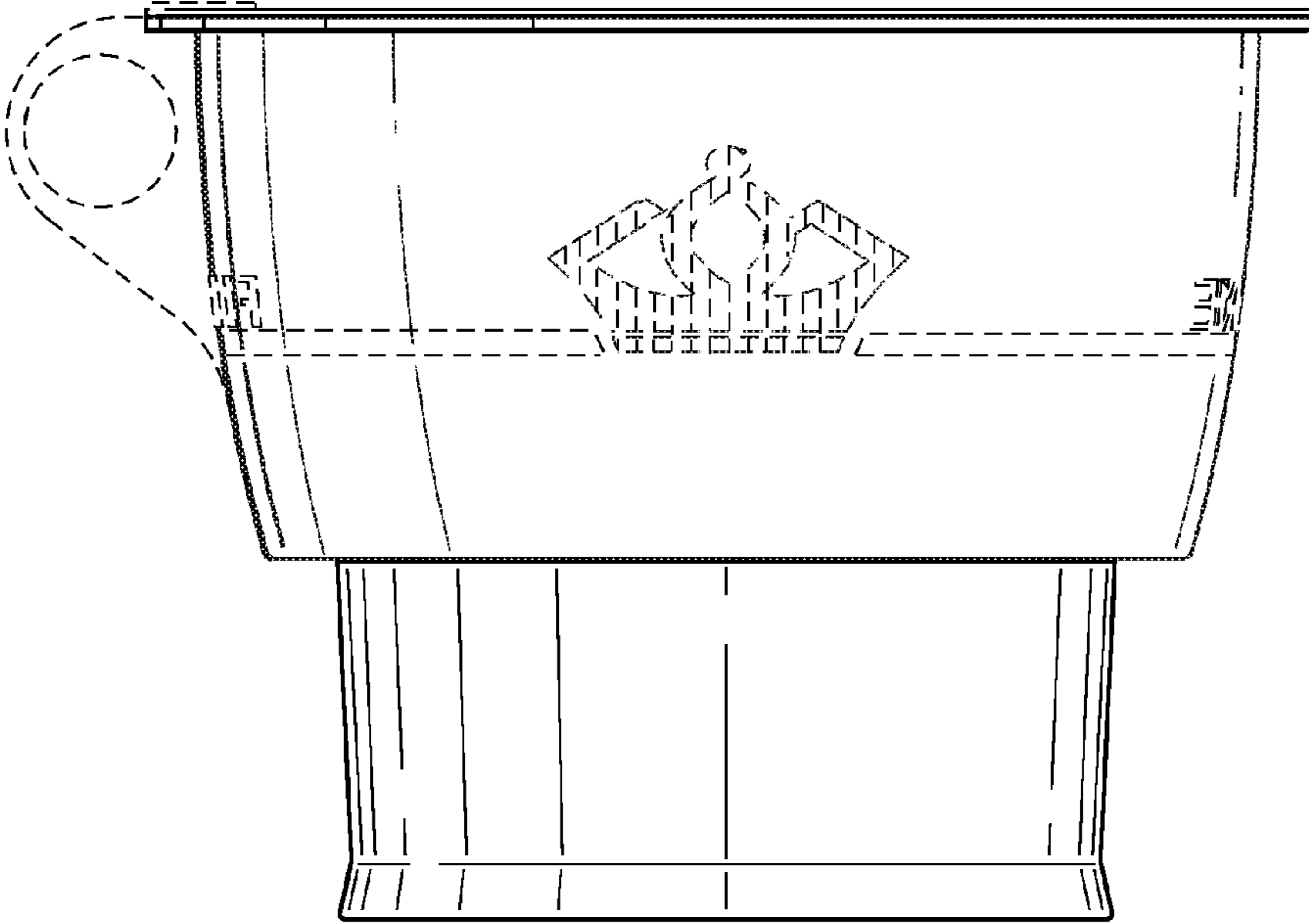


FIG. 4

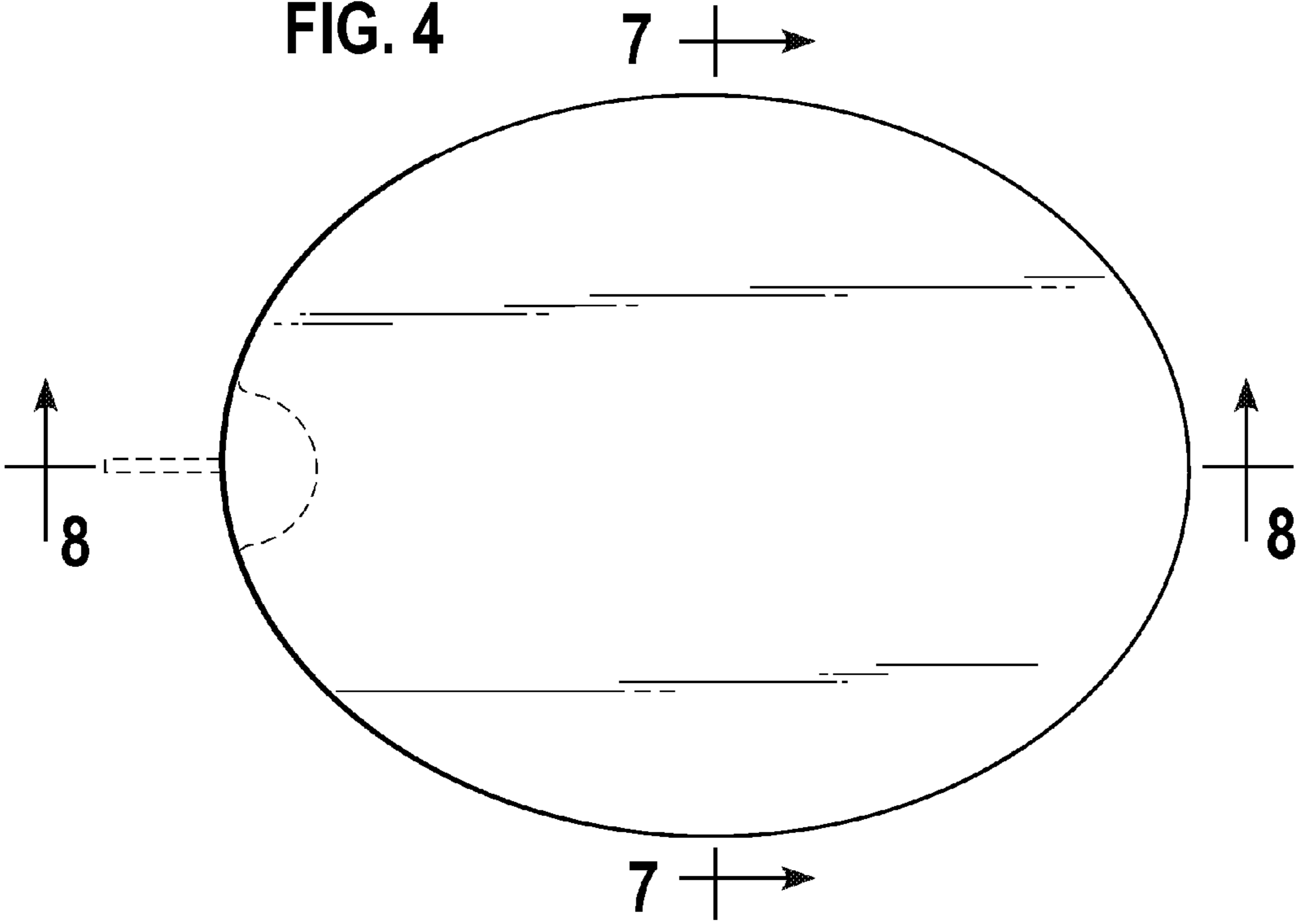


FIG. 5

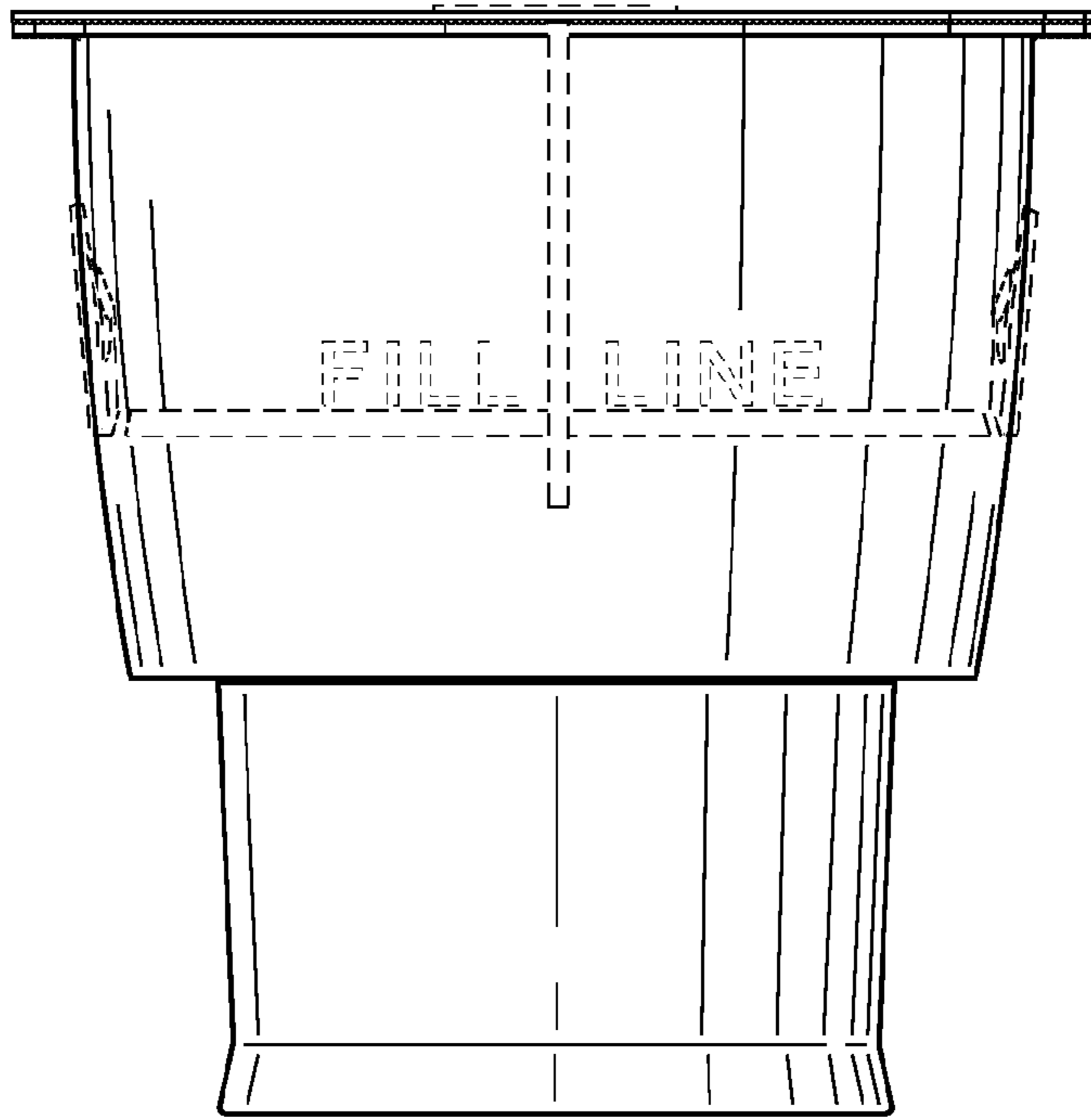


FIG. 6

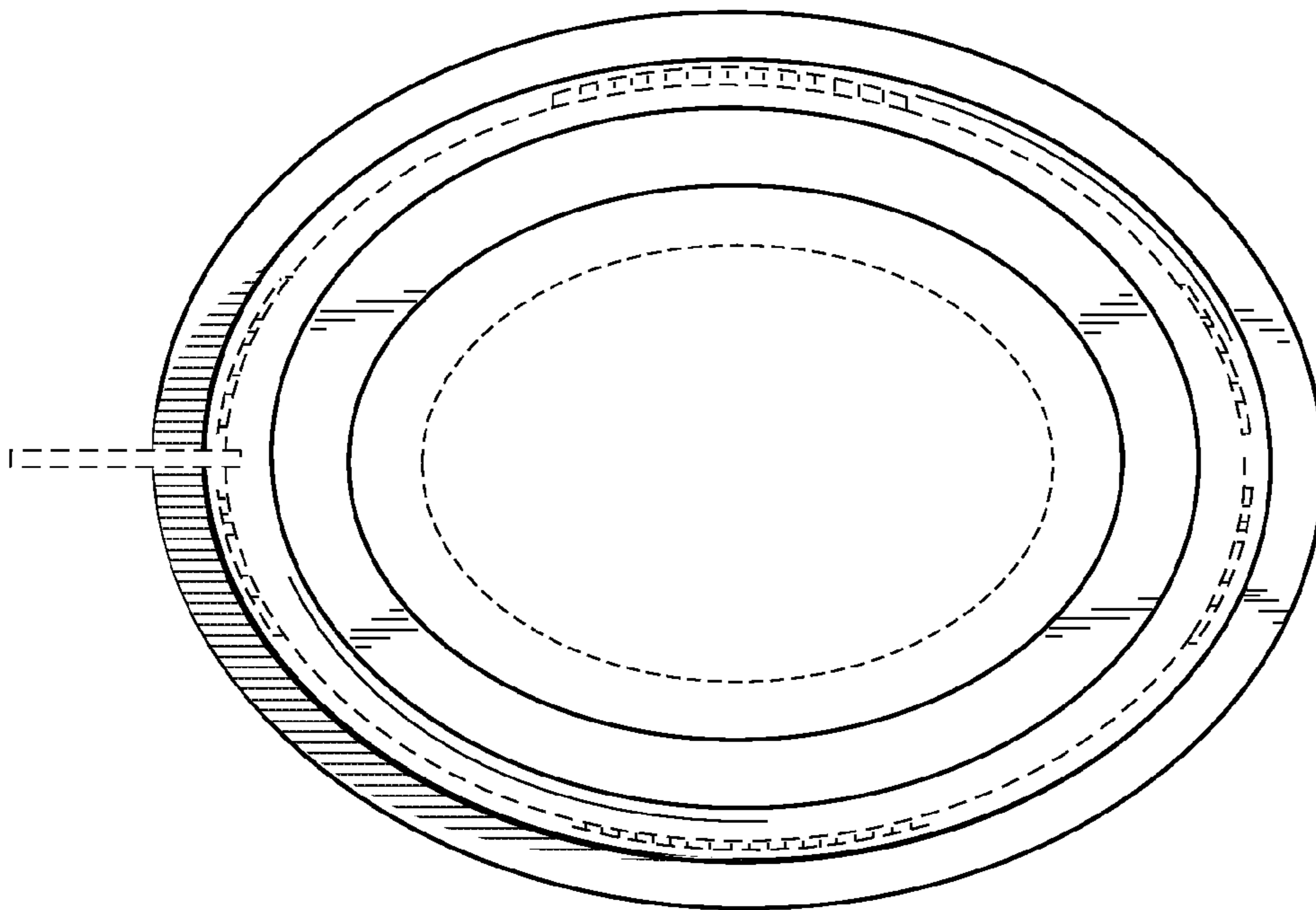


FIG. 7

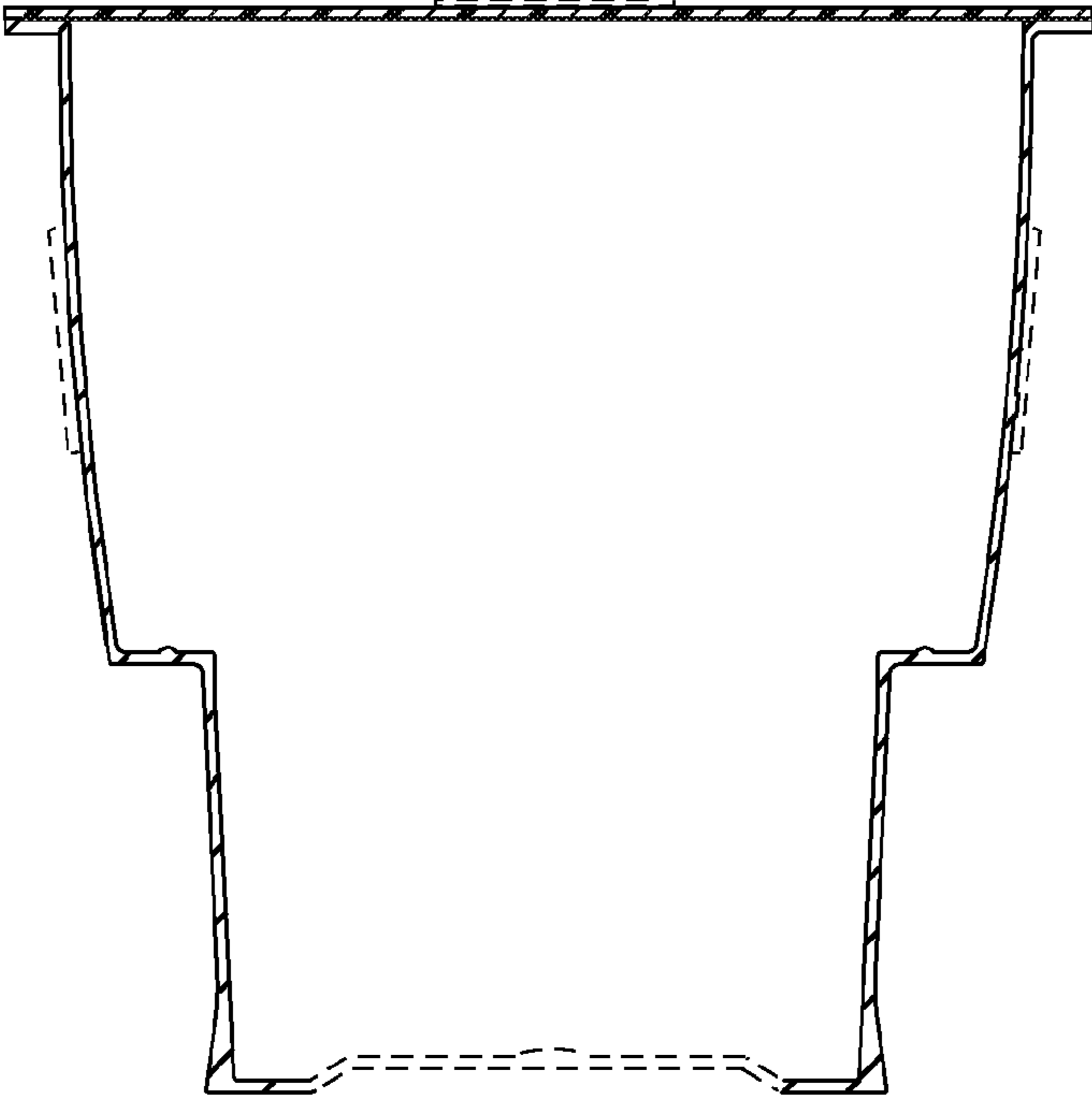


FIG. 8

