



US00D691467S

(12) **United States Design Patent**
Limback

(10) **Patent No.:** **US D691,467 S**
(45) **Date of Patent:** **** Oct. 15, 2013**

(54) **CLAMSHELL PACKAGE**
(75) Inventor: **Nancy Gail Limback**, Bridgewater, NJ
(US)
(73) Assignee: **Aventisub II Inc.**, Greenville, DE (US)
(**) Term: **14 Years**

D313,182 S 12/1990 Diepois
D319,577 S 9/1991 Schwarz
5,067,611 A 11/1991 Hagmann et al.
D380,960 S 7/1997 Blotsky
D385,024 S * 10/1997 Roberts D23/366
D392,883 S 3/1998 Ferrin
D394,003 S 5/1998 Tate

(Continued)

(21) Appl. No.: **29/416,879**
(22) Filed: **Mar. 28, 2012**
(51) **LOC (9) Cl.** **09-03**
(52) **U.S. Cl.**
USPC **D9/424**
(58) **Field of Classification Search**
USPC D9/414, 415, 416, 423, 424, 425, 432,
D9/439, 440, 455, 506, 518, 522, 523, 529,
D9/530, 544, 545, 553, 564, 566, 763, 753,
D9/757, 760, 761, 764, 769, 772, 773,
D9/776; 206/216, 232, 470, 461, 463, 469,
206/543, 557, 771, 806; D30/108
See application file for complete search history.

FOREIGN PATENT DOCUMENTS

WO 2007/141869 A1 12/2007

OTHER PUBLICATIONS

U.S. Notice of Allowance dated Mar. 25, 2013 issued in U.S. Appl.
No. 29/416,878.

(Continued)

Primary Examiner — Derrick Holland
Assistant Examiner — Lauren Calve
(74) *Attorney, Agent, or Firm* — Scully, Scott, Murphy &
Presser, P.C.

(56) **References Cited**

U.S. PATENT DOCUMENTS

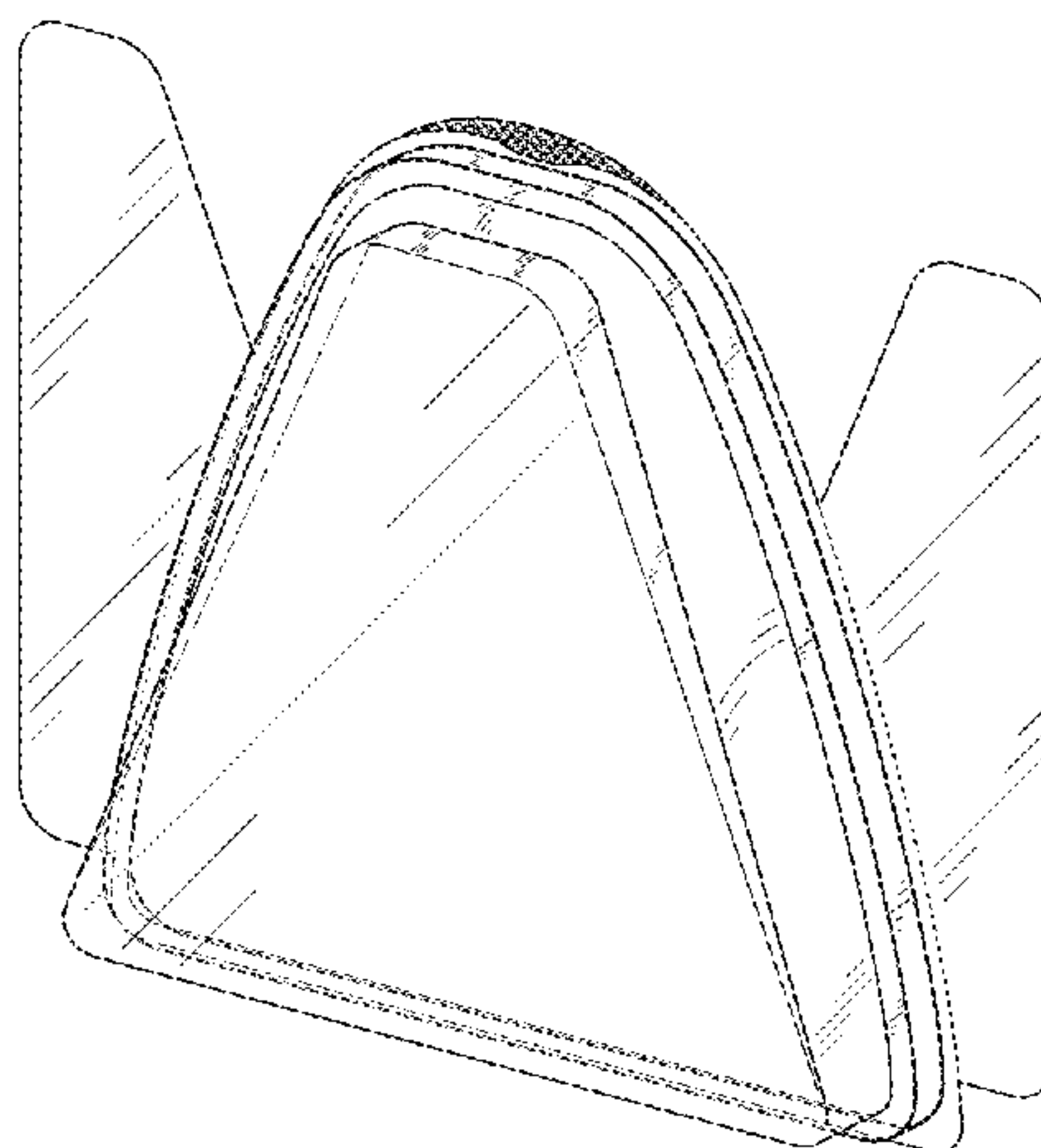
D58,905 S * 9/1921 Harrington D9/414
D117,605 S 11/1939 Blunt
D190,530 S * 6/1961 Bender et al. D9/416
3,122,441 A 2/1964 Smith
D200,000 S * 1/1965 Richards et al. D9/416
3,255,928 A * 6/1966 Foster 222/153.07
D220,750 S 5/1971 Artz
D220,752 S * 5/1971 Artz D9/425
3,620,411 A 11/1971 Rump
D234,294 S 2/1975 Gorman
4,266,666 A 5/1981 Kuchenbecker
D271,283 S 11/1983 Taylor
4,574,951 A 3/1986 Weaver
D285,176 S 8/1986 Kodousek et al.
D286,140 S 10/1986 Kodousek et al.
D306,405 S * 3/1990 Kuerti D9/424

(57) **CLAIM**
The ornamental design for a clamshell package, as shown and
described.

DESCRIPTION

FIG. 1 is a perspective view of a clamshell package showing
my new design;
FIG. 2 is a front view thereof;
FIG. 3 is a rear view thereof;
FIG. 4 is a side view thereof;
FIG. 5 is an opposite side view thereof;
FIG. 6 is a top view thereof; and,
FIG. 7 is a bottom view thereof.
The broken lines shown represent unclaimed subject matter
and form no part of the claimed design.

1 Claim, 5 Drawing Sheets



(56)

References Cited

U.S. PATENT DOCUMENTS

D404,644 S 1/1999 Meeker
 D415,416 S 10/1999 Anderson et al.
 D416,484 S 11/1999 Voden
 D417,148 S 11/1999 Anderson et al.
 6,053,321 A 4/2000 Kayser
 D431,459 S 10/2000 Lee
 D431,863 S 10/2000 Richardson
 6,155,414 A 12/2000 Vaessen
 D438,461 S 3/2001 Yamagishi
 D438,463 S * 3/2001 Schill et al. D9/416
 6,401,926 B1 6/2002 Lo
 D469,348 S 1/2003 Demus et al.
 D476,227 S 6/2003 Pratt
 D480,635 S 10/2003 Caroen
 6,726,054 B2 4/2004 Fagen et al.
 D491,459 S * 6/2004 Grant D9/414
 D495,134 S 8/2004 Geert-Jensen et al.
 6,889,690 B2 5/2005 Crowder et al.
 D507,453 S 7/2005 Mills
 D520,357 S 5/2006 Terrasi
 D533,971 S * 12/2006 Carter et al. D30/108
 D534,423 S 1/2007 Tanner
 7,207,440 B2 * 4/2007 Briscoe 206/461
 7,207,441 B2 4/2007 Ritter
 D545,690 S 7/2007 Tsutsumi et al.
 D554,530 S 11/2007 Tsutsumi et al.
 D558,336 S 12/2007 Walters et al.
 D574,704 S 8/2008 Senter
 D578,386 S 10/2008 Silvenis et al.
 7,451,761 B2 11/2008 Hickey et al.
 D581,780 S 12/2008 Senter

D585,545 S 1/2009 Carrio et al.
 D585,638 S 2/2009 Skedelius
 D585,735 S * 2/2009 Vovan et al. D9/426
 D588,908 S 3/2009 Silvenis et al.
 D601,884 S 10/2009 Andre et al.
 D606,856 S * 12/2009 Ginsberg et al. D9/424
 D624,399 S 9/2010 Hansen et al.
 D624,402 S 9/2010 Hansen et al.
 D624,403 S 9/2010 Hansen et al.
 D624,815 S 10/2010 Hansen et al.
 7,854,325 B2 12/2010 Bentele
 7,866,475 B2 1/2011 Doskoczynski et al.
 D632,955 S 2/2011 Smith et al.
 D634,616 S 3/2011 Hansen et al.
 7,931,148 B2 4/2011 Hansen et al.
 D641,616 S 7/2011 Prevost
 8,091,704 B2 1/2012 Trigg

OTHER PUBLICATIONS

U.S. Office Action dated Mar. 25, 2013 issued in U.S. Appl. No. 29/416,880.
 U.S. Office Action dated Mar. 25, 2013 issued in U.S. Appl. No. 29/416,882.
 U.S. Office Action dated Apr. 1, 2013 issued in U.S. Appl. No. 29/429,017.
 Invitation to Pay Additional Fees and, Where Applicable, Protest Fee mailed Jul. 10, 2013.
 U.S. Office Action dated Jul. 18, 2013 issued in U.S. Appl. No. 29/429,016.
 U.S. Office Action dated Jul. 15, 2013 issued in U.S. Appl. No. 13/432,247.

* cited by examiner

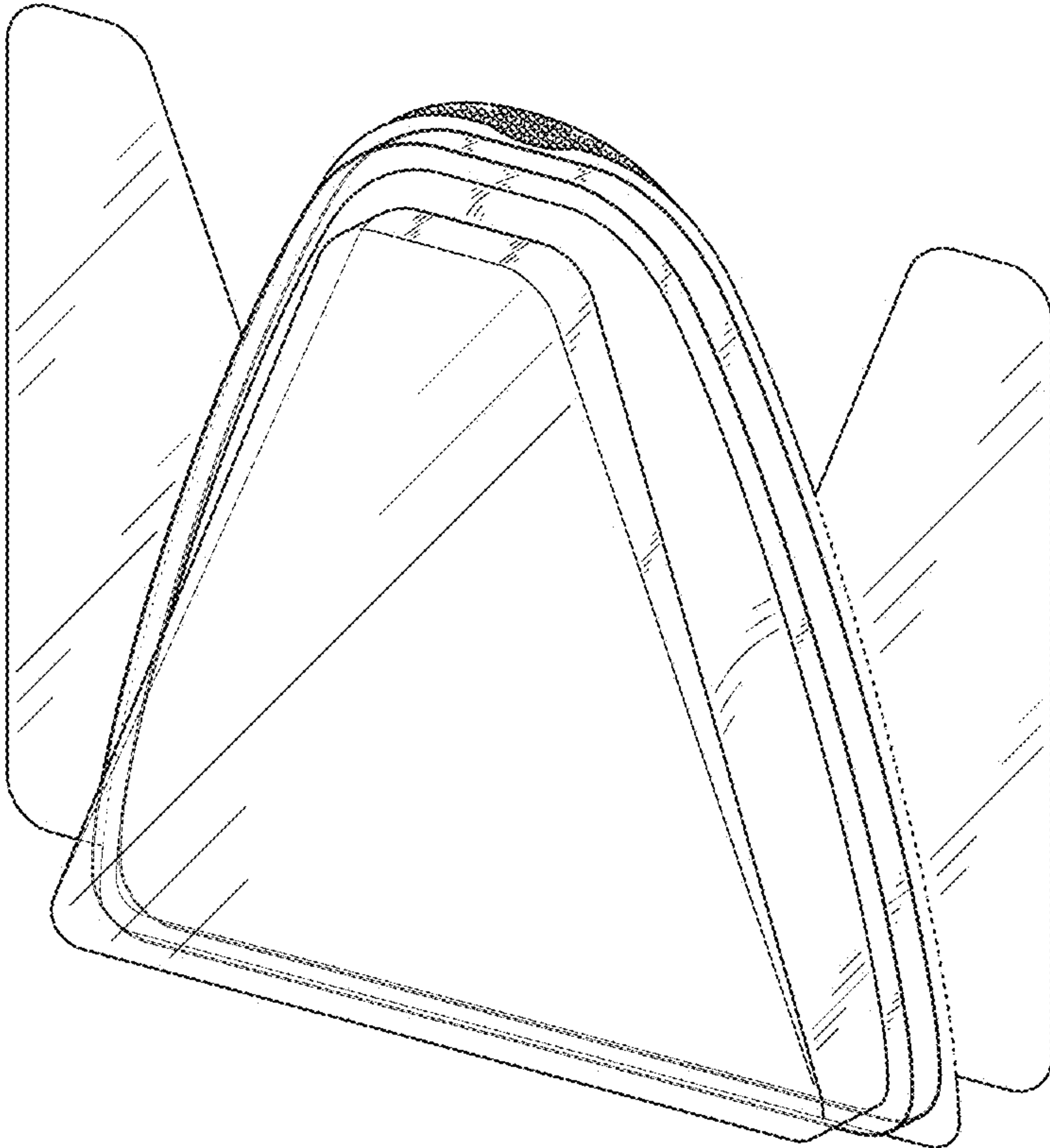


FIG. 1

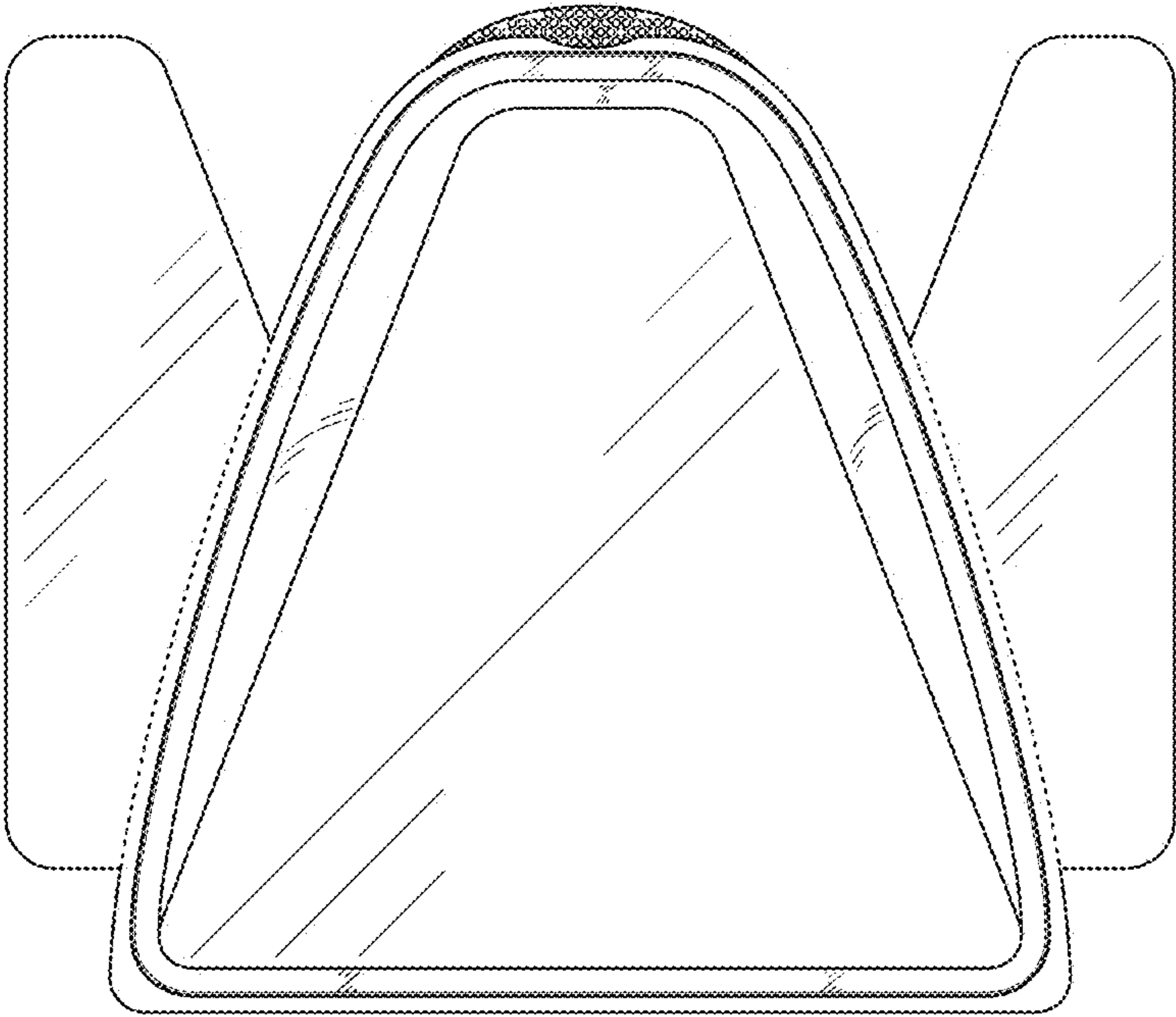


FIG. 2

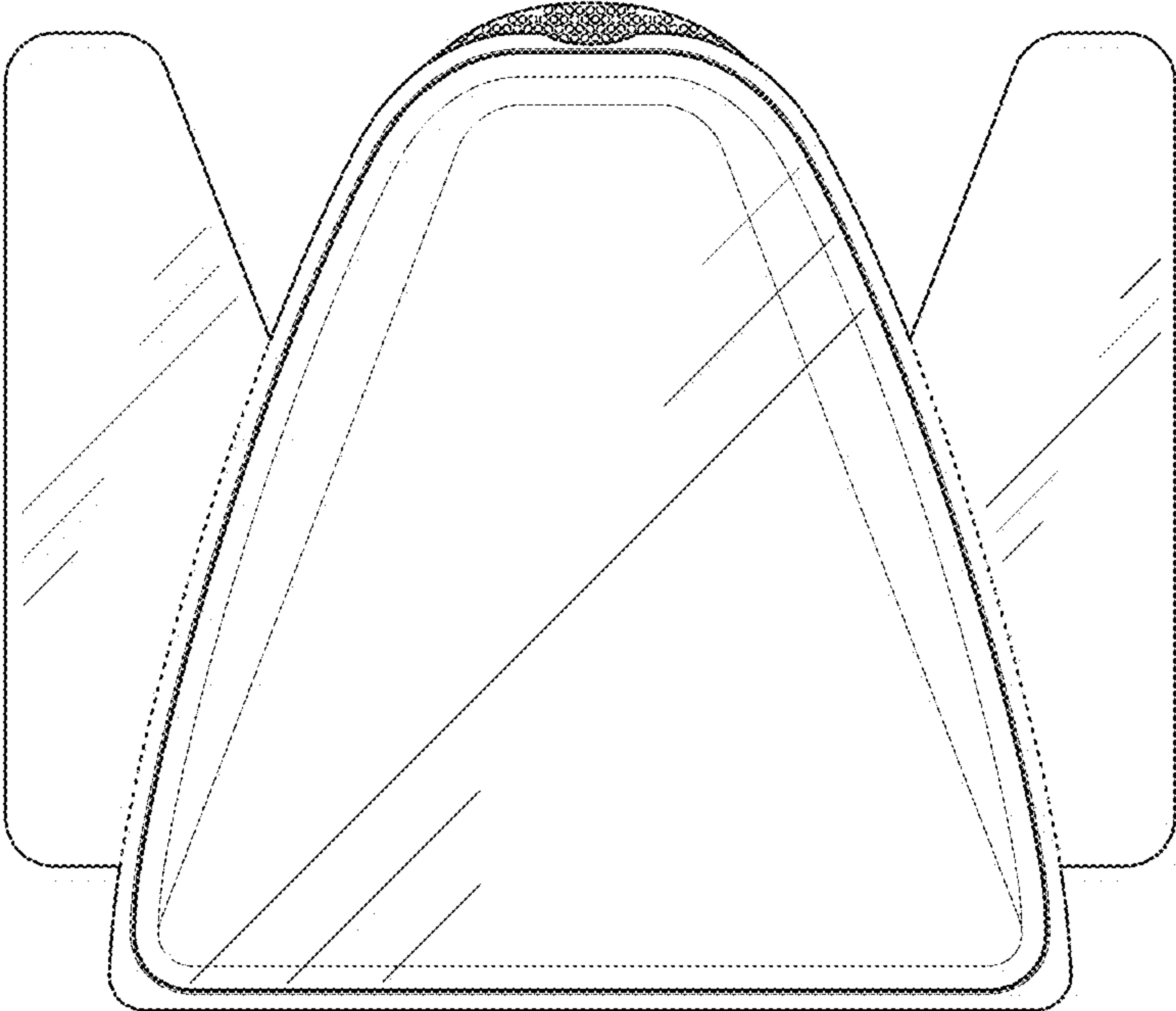


FIG. 3

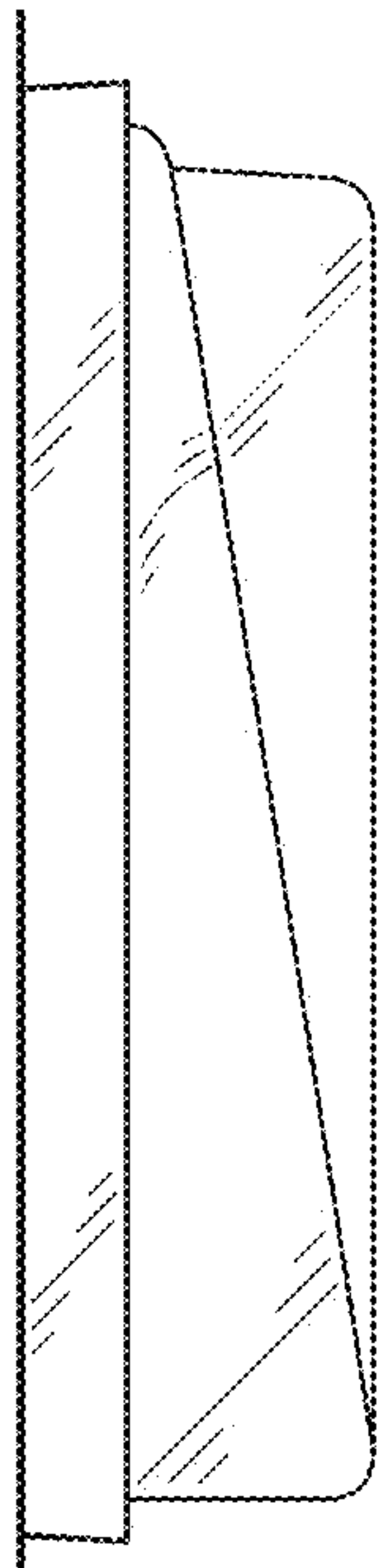


FIG. 4

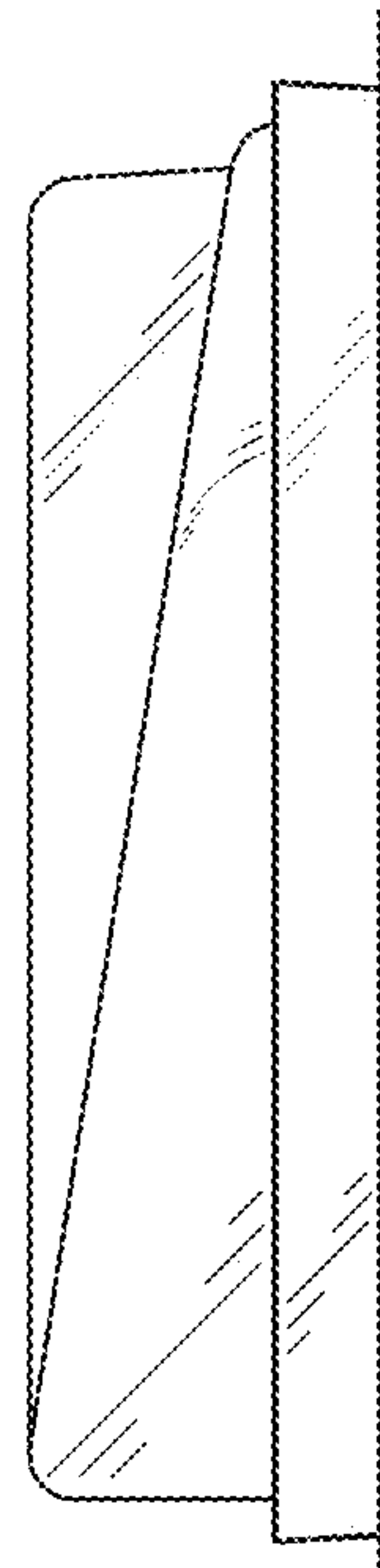


FIG. 5

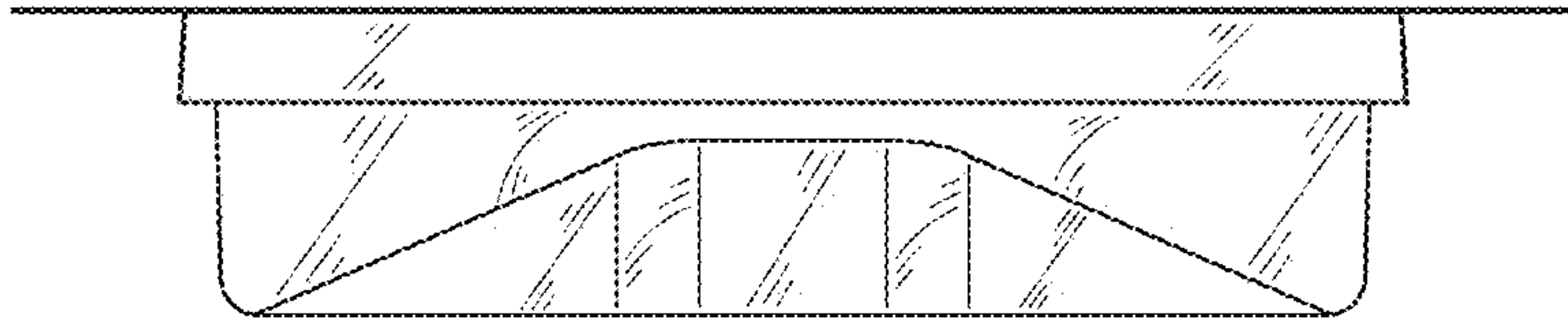


FIG. 6

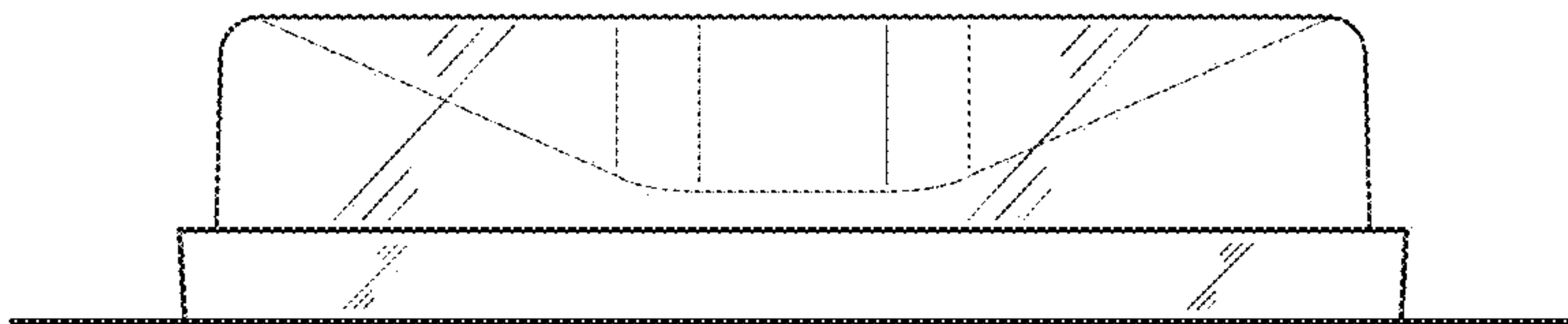


FIG. 7