



US00D691464S

(12) **United States Design Patent**
Lee et al.

(10) **Patent No.:** **US D691,464 S**
(45) **Date of Patent:** **** *Oct. 15, 2013**

(54) **DISPLAY PACKAGE**

(75) Inventors: **Noel Lee**, Las Vegas, NV (US); **Jacky Hsiung**, San Jose, CA (US); **Minki Bang**, Daly City, CA (US)

(73) Assignee: **Monster Cable Products, Inc.**,
Brisbane, CA (US)

(*) Notice: This patent is subject to a terminal disclaimer.

(**) Term: **14 Years**

(21) Appl. No.: **29/400,966**

(22) Filed: **Sep. 2, 2011**

(51) **LOC (9) Cl.** **09-03**

(52) **U.S. Cl.**
USPC **D9/415**

(58) **Field of Classification Search**
USPC D9/414, 415, 418, 416, 420, 423, 424,
D9/425, 426, 428, 430-433, 434, 435, 445,
D9/449, 454, 455, 456, 465, 499, 501-503,
D9/522, 529, 643, 645, 651, 688-692,
D9/702-715, 734, 737-738, 740-742, 744,
D9/751, 755, 722, 756, 759, 760, 727, 758,
D9/749; D24/216; 220/23.87-23.89,
220/560.01, 560.1, 579; 206/273, 459.5,
206/467, 468, 830; 229/87.13, 87.19,
229/87.07, 103.3, 117.17, 122.1, 122.2,
229/132, 241, 245, 939, 940, 149; 211/40
See application file for complete search history.

(56) **References Cited**

U.S. PATENT DOCUMENTS

D372,193 S 7/1996 Lee
D380,963 S 7/1997 Lee

D384,579 S 10/1997 Lee
D389,402 S 1/1998 Lee
6,814,238 B2 11/2004 Lee
D517,907 S 3/2006 Lee et al.
D521,861 S 5/2006 Lee et al.
7,036,664 B2* 5/2006 Lee et al. 206/468
7,243,800 B1* 7/2007 Feibelman 206/775
7,293,651 B2 11/2007 Lee et al.
D575,636 S* 8/2008 Krautter D9/420
7,699,166 B2* 4/2010 Gauger et al. 206/233
D620,976 S* 8/2010 Dietrich D19/27
2002/0162771 A1* 11/2002 Van Wagenen et al. 206/775
2005/0173286 A1* 8/2005 Hansen 206/472

* cited by examiner

Primary Examiner — Robert M Spear

Assistant Examiner — Rhea Shields

(74) *Attorney, Agent, or Firm* — LaRiviere, Grubman & Payne, LLP

(57) **CLAIM**

The ornamental design for a display package, as shown and described.

DESCRIPTION

FIG. 1 is a perspective view of a display package, showing our design;

FIG. 2 is a front view thereof;

FIG. 3 is a rear view thereof;

FIG. 4 is a side view thereof;

FIG. 5 is an opposing side view thereof;

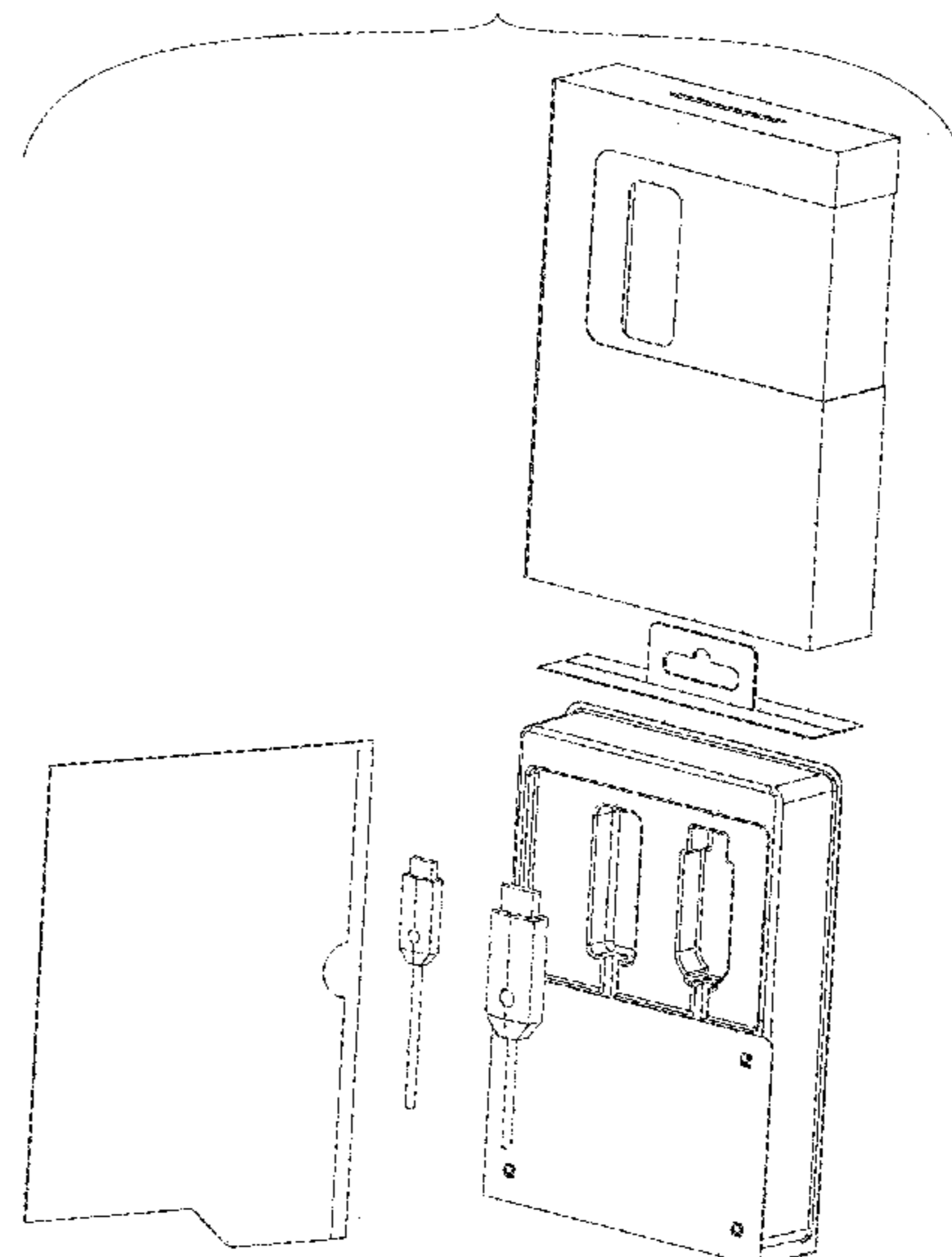
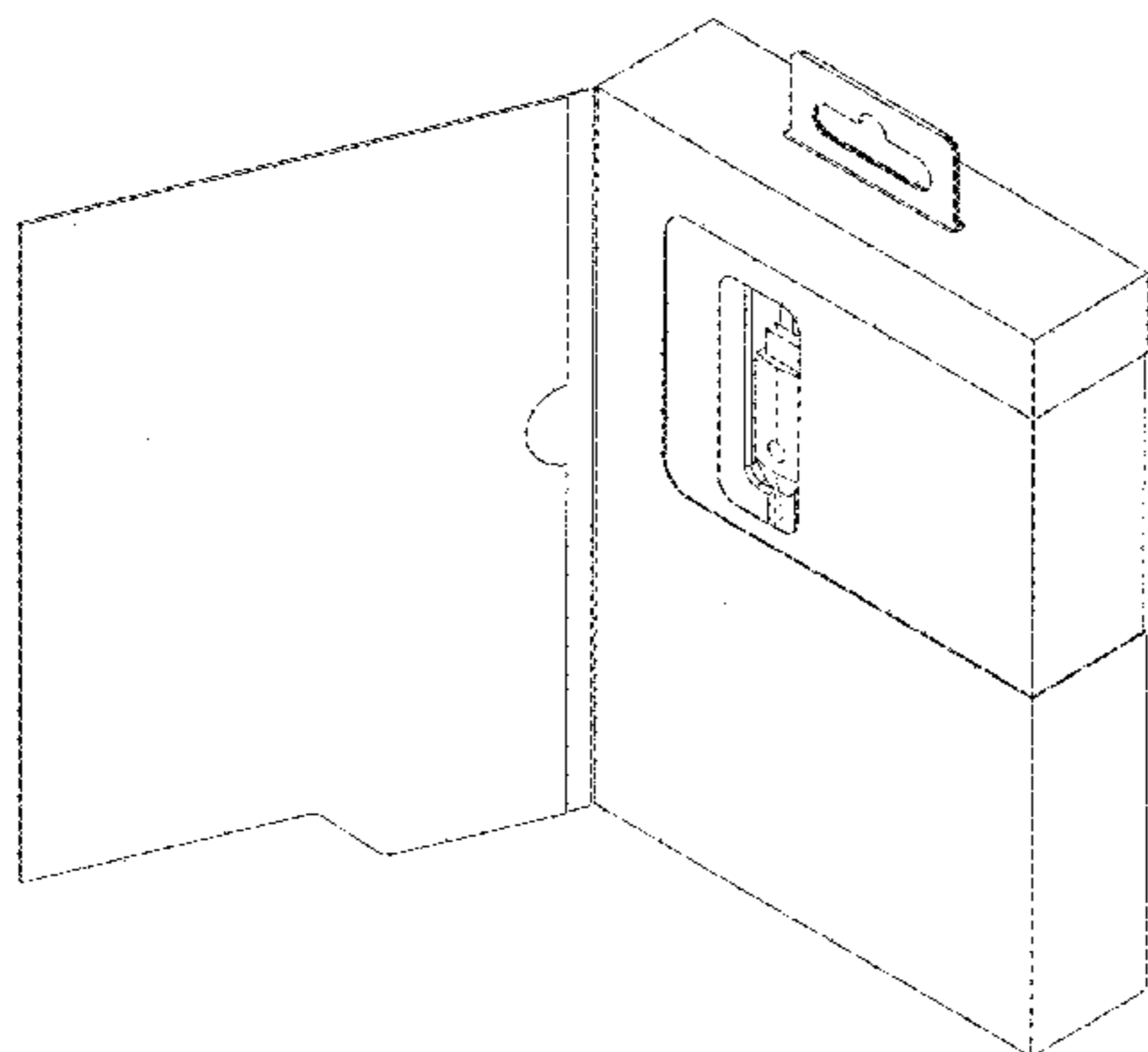
FIG. 6 is a top view thereof;

FIG. 7 is a bottom view thereof; and,

FIG. 8 is an exploded perspective view of the display package as shown in FIG. 1.

The broken lines showing the environment are for illustrative purposes only and form no part of the claimed design.

1 Claim, 8 Drawing Sheets



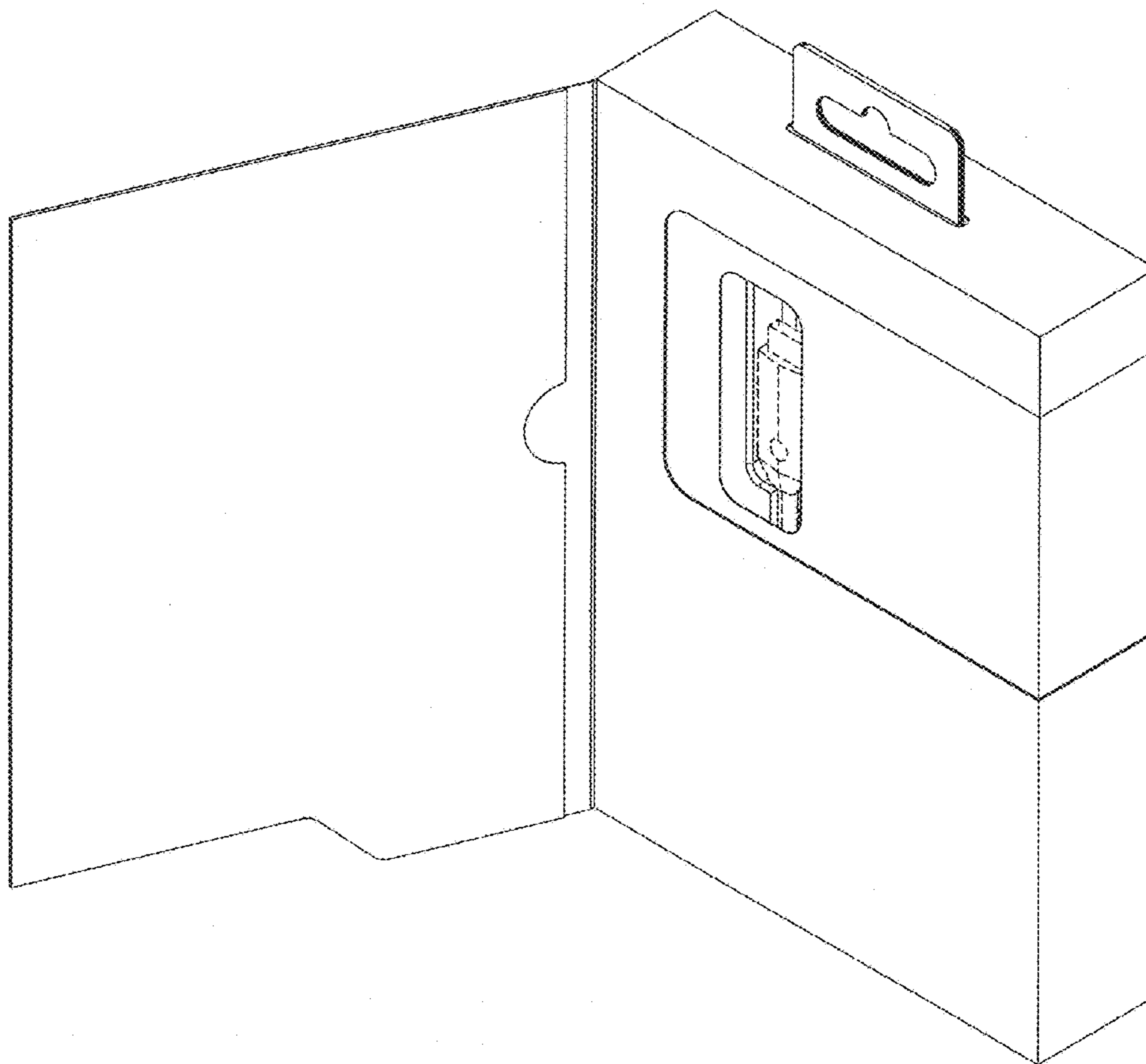


Figure 1

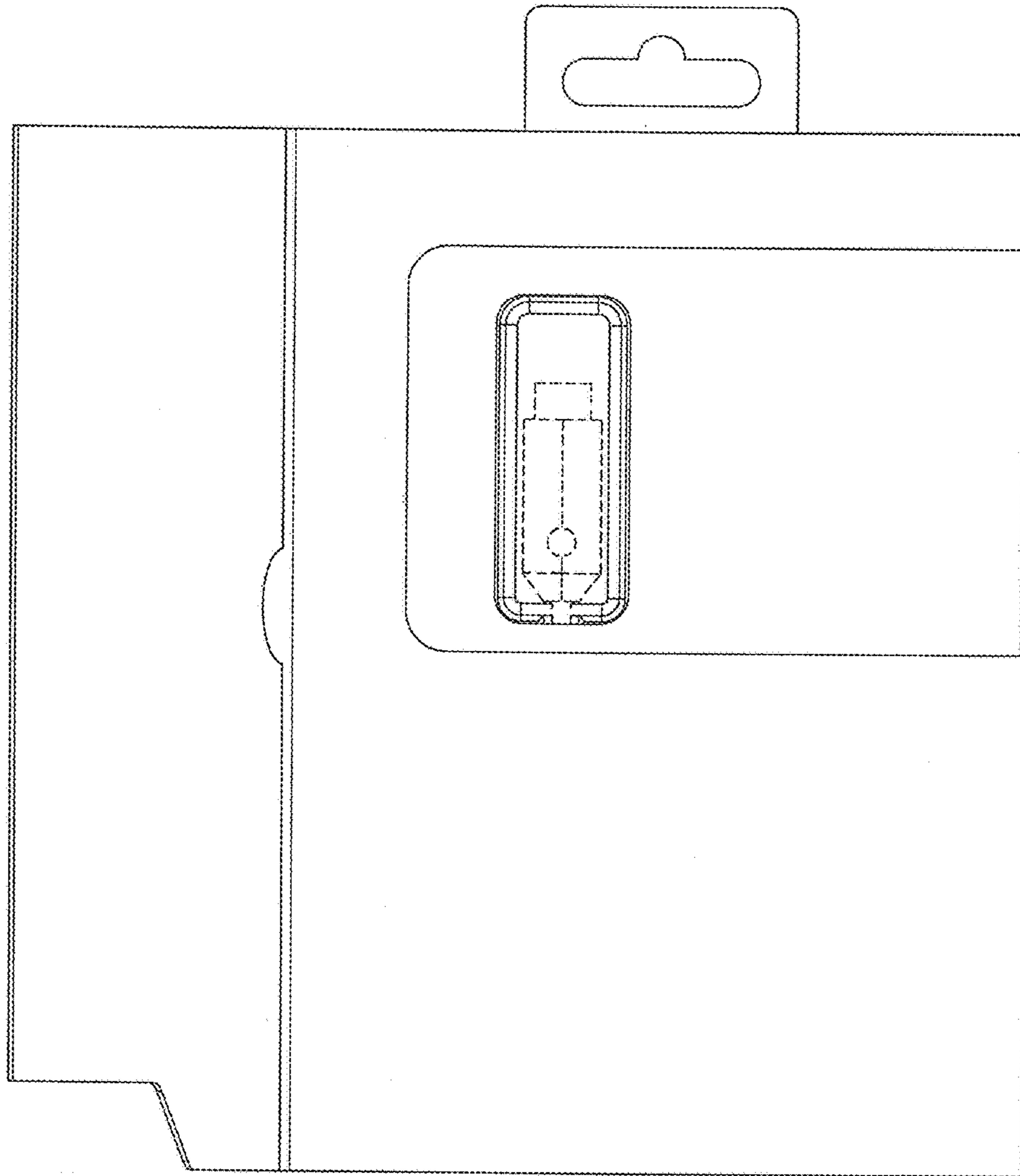


Figure 2

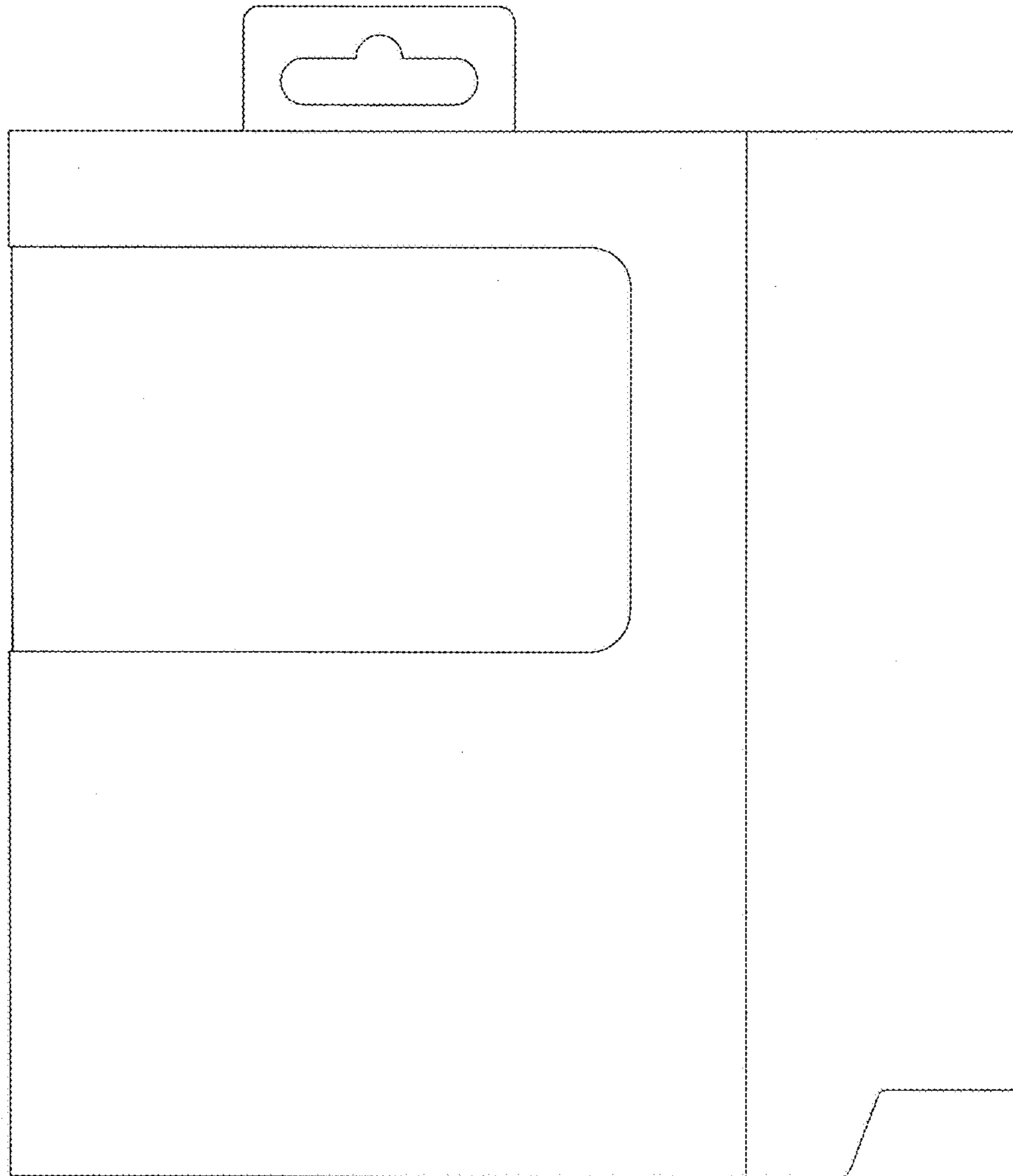


Figure 3

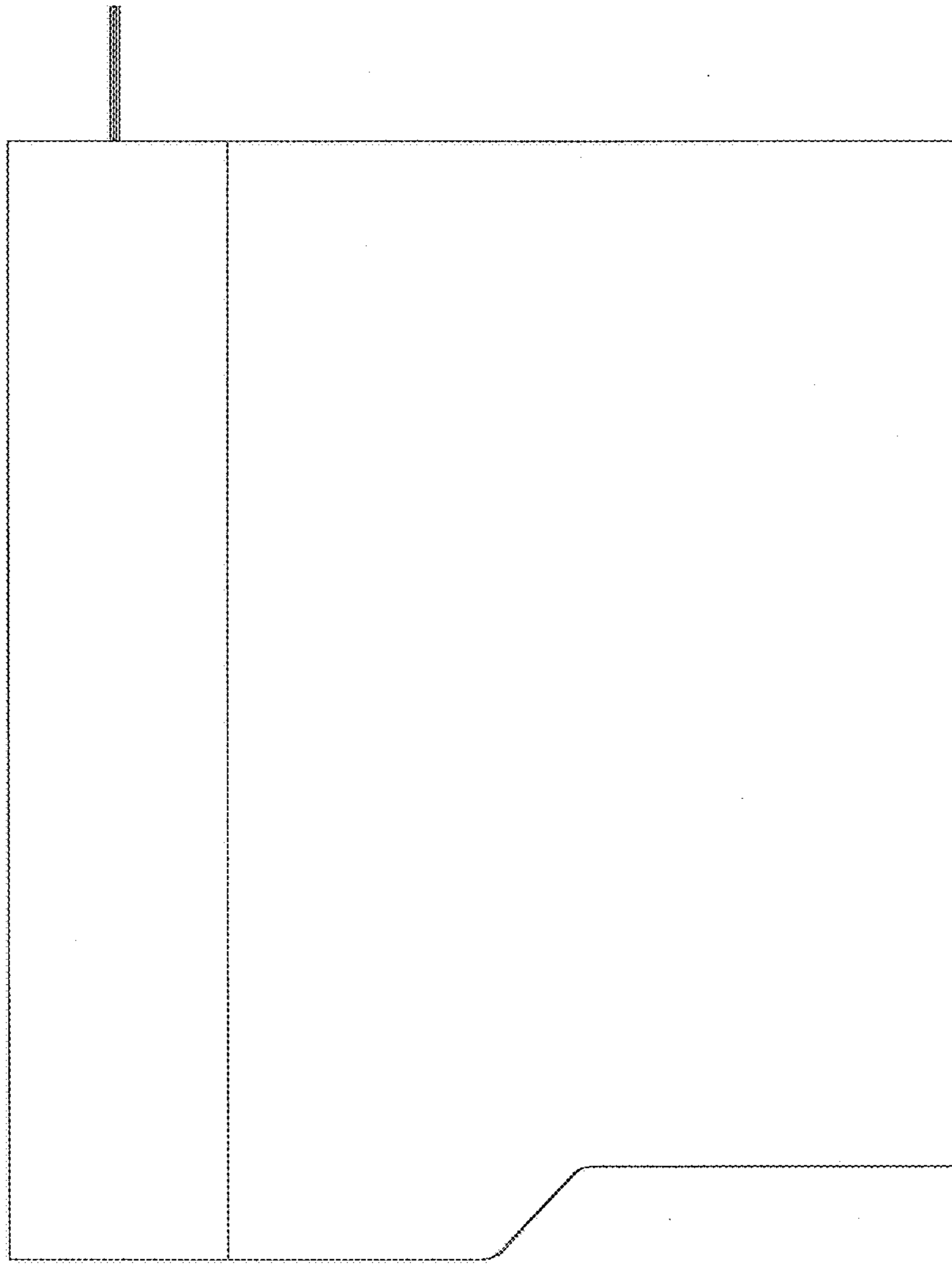


Figure 4

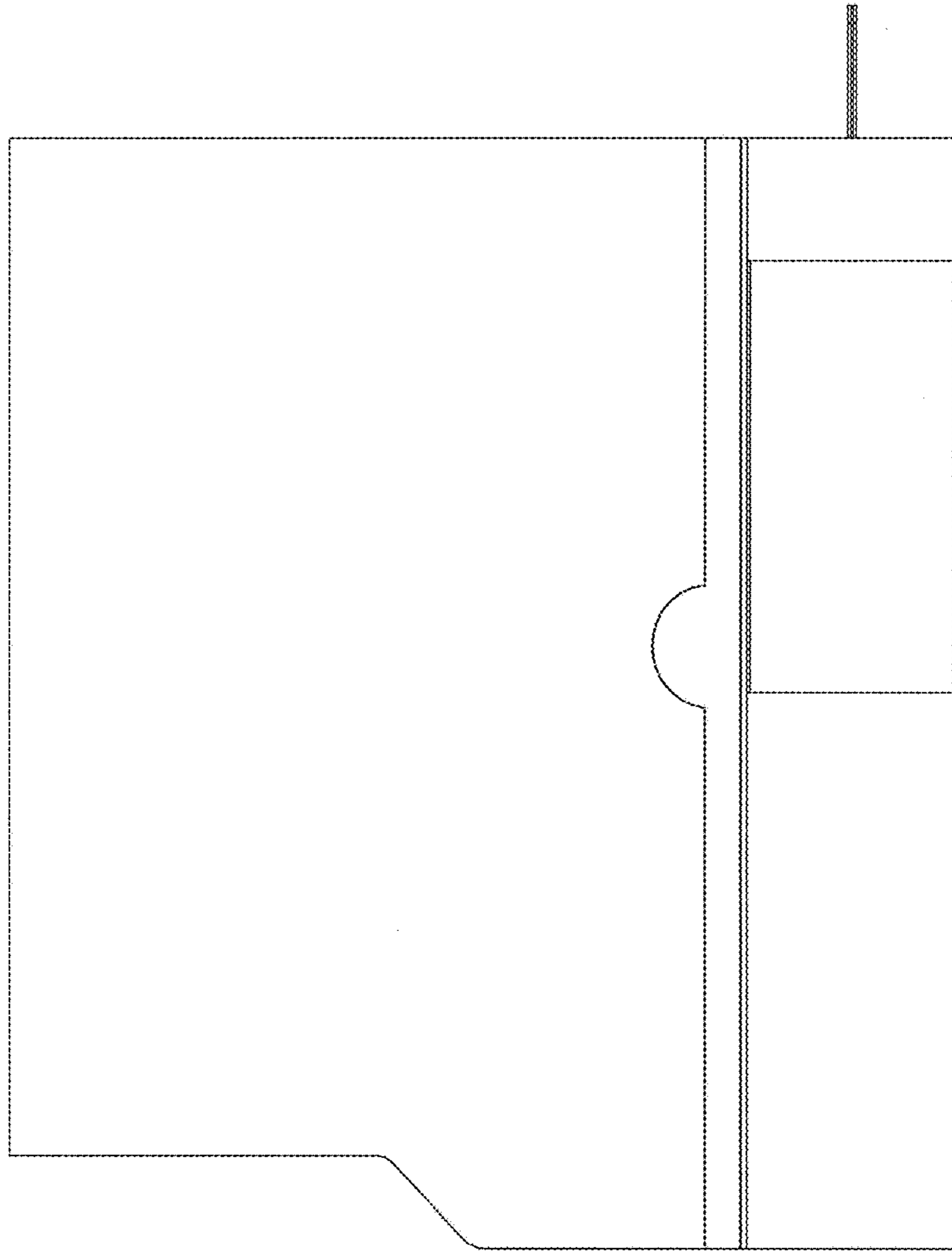


Figure 5

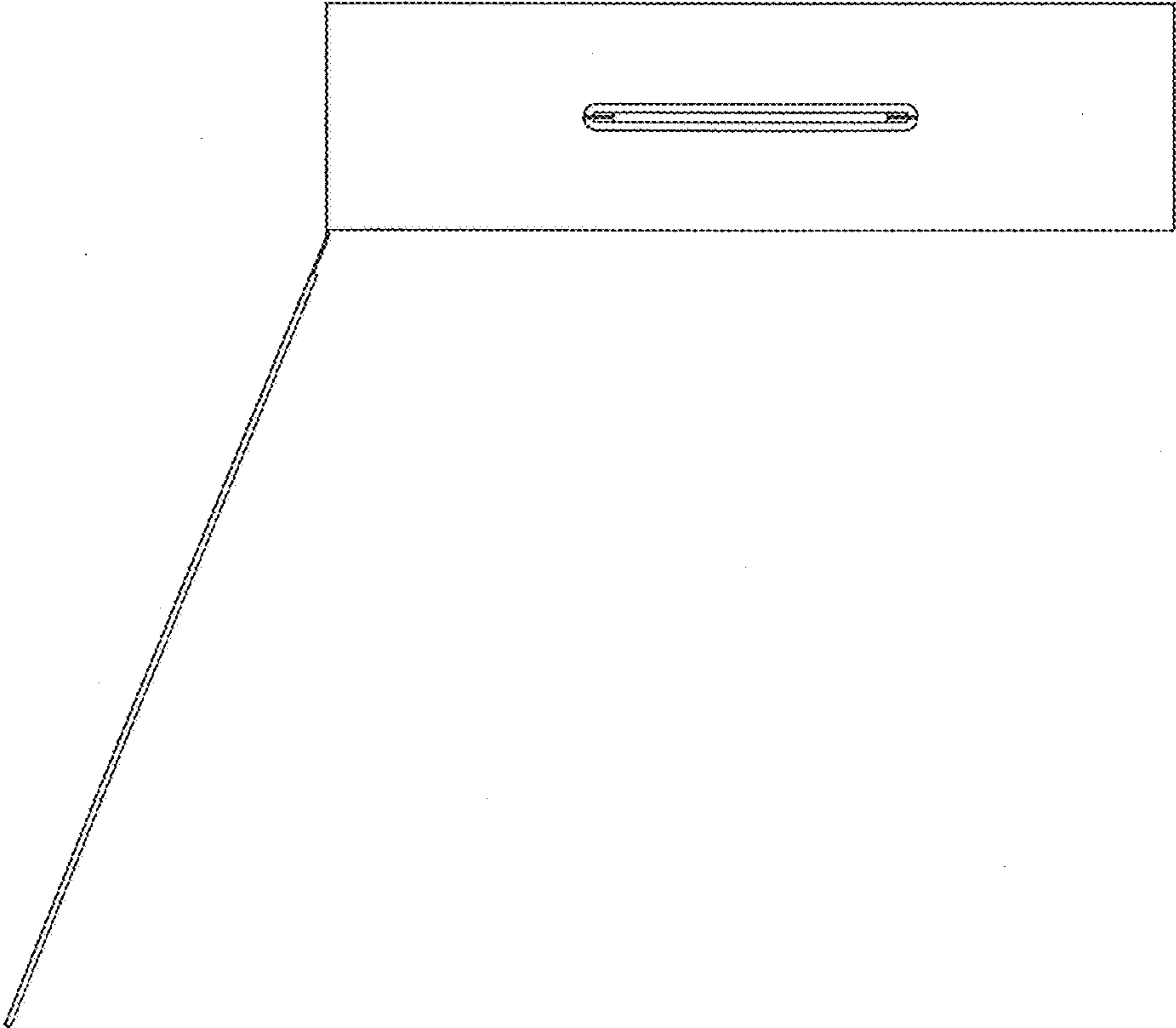


Figure 6

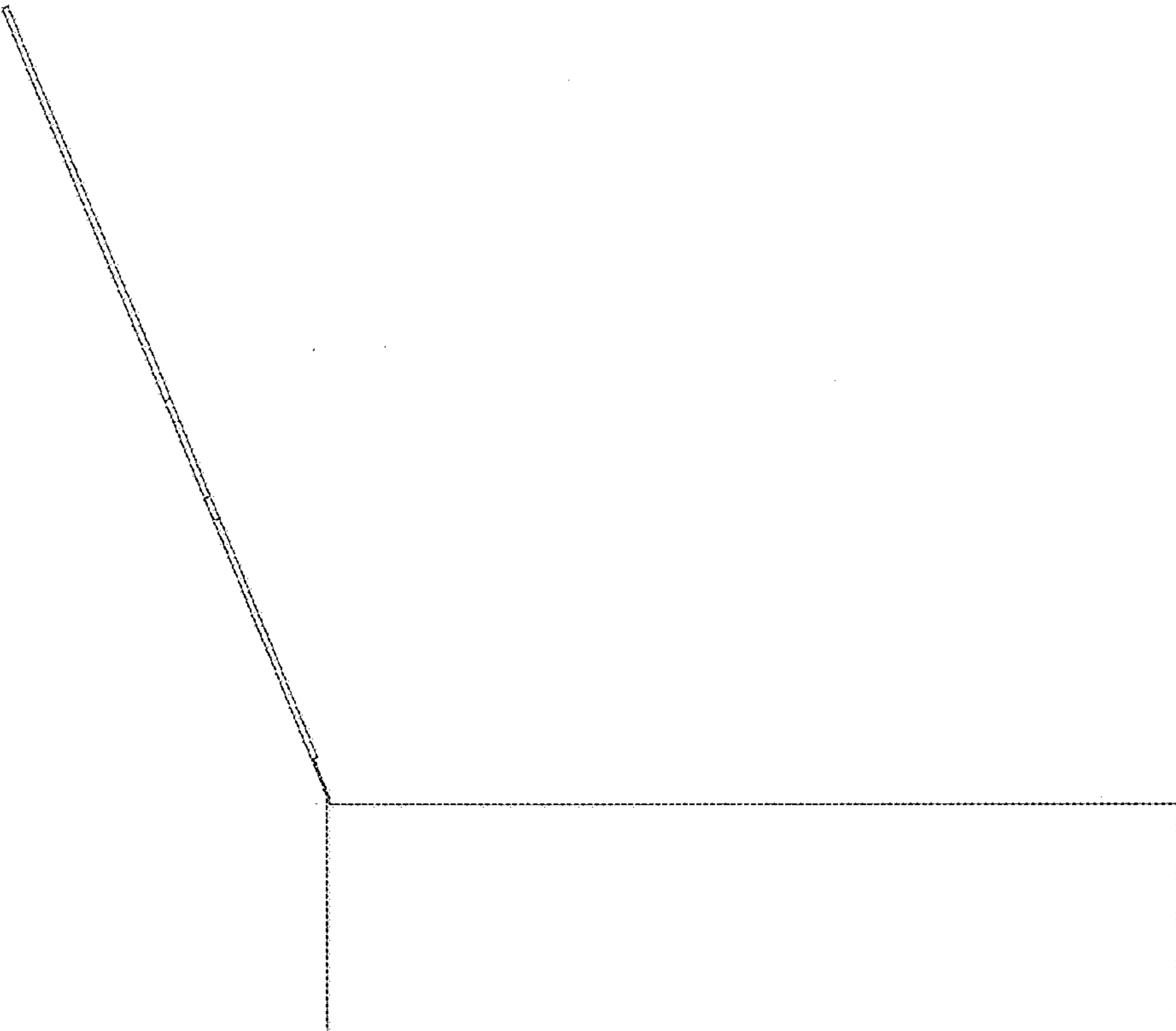


Figure 7

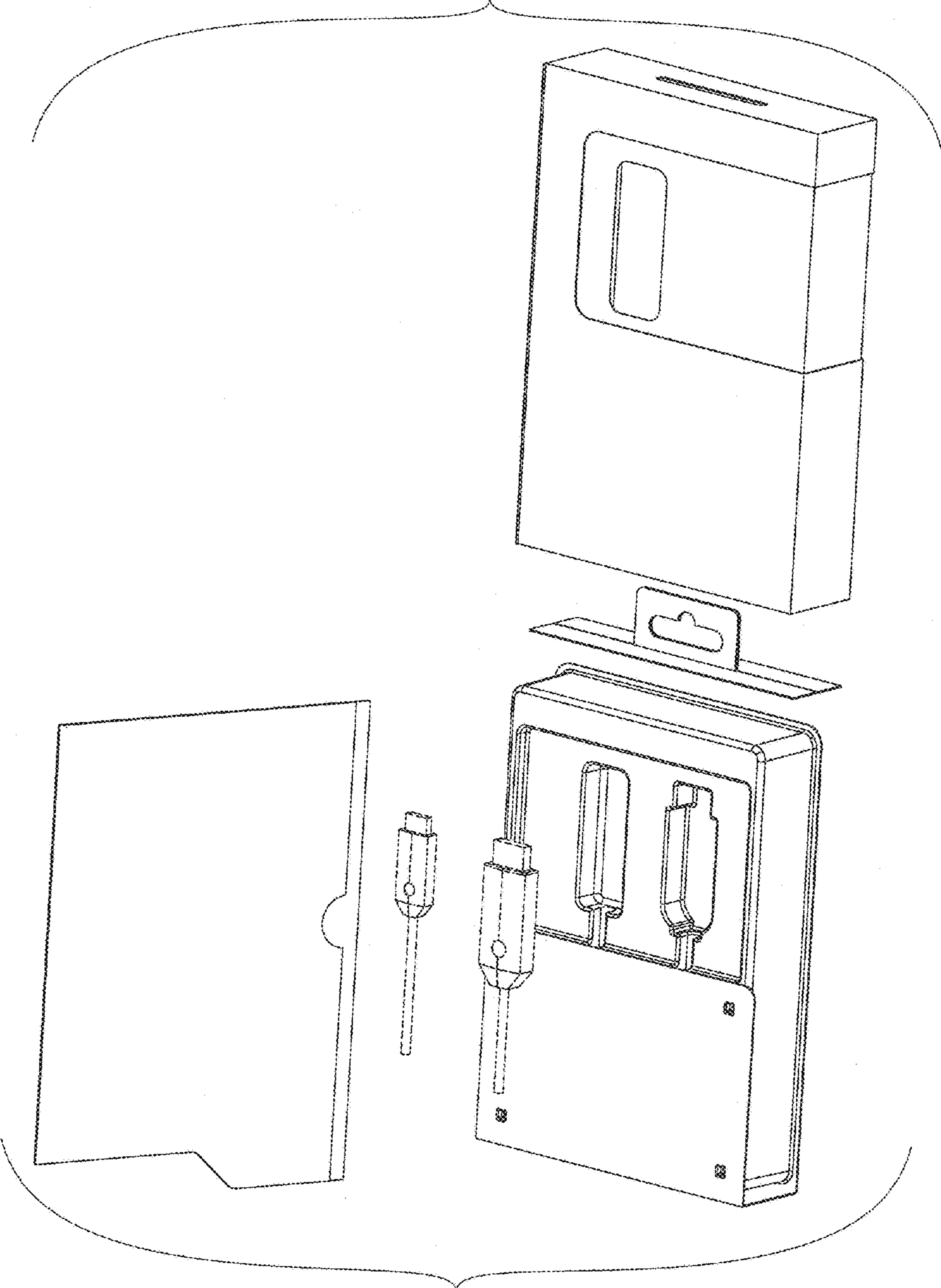


Figure 8