

US00D691462S

(12) **United States Design Patent**  
**Rothbaum et al.**

(10) **Patent No.:** **US D691,462 S**  
(45) **Date of Patent:** **\*\* Oct. 15, 2013**

(54) **STRAP WITH CORD ATTACHMENT  
MECHANISM AND HOOK AND LOOP  
CLOSURE FOR A CORD MANAGEMENT  
SYSTEM**

(71) Applicant: **CJD LLC**, New York, NY (US)

(72) Inventors: **Wayne Rothbaum**, New York, NY (US);  
**Allison S. Conner**, Brooklyn, NY (US);  
**Robert B. Curtis**, San Francisco, CA  
(US); **Jonas K. Damon**, New York, NY  
(US); **Daniel A. Sanchez**, Brooklyn, NY  
(US)

(73) Assignee: **CJD LLC**, New York, NY (US)

(\*\*) Term: **14 Years**

(21) Appl. No.: **29/443,387**

(22) Filed: **Jan. 16, 2013**

**Related U.S. Application Data**

(63) Continuation of application No. 29/401,930, filed on  
Sep. 16, 2011, now Pat. No. Des. 675,904.

(51) **LOC (9) Cl.** ..... **08-05**

(52) **U.S. Cl.**  
USPC ..... **D8/356**

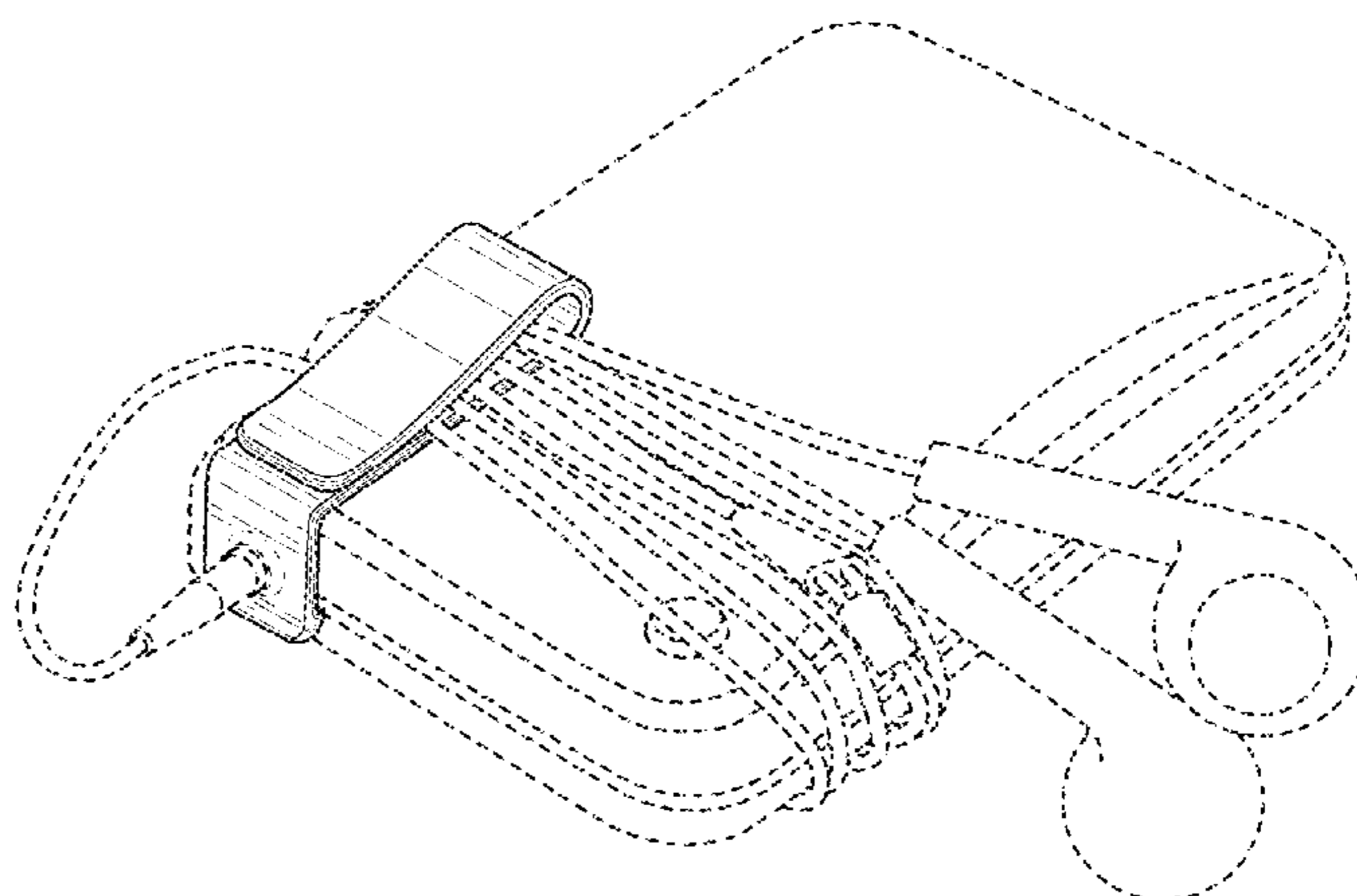
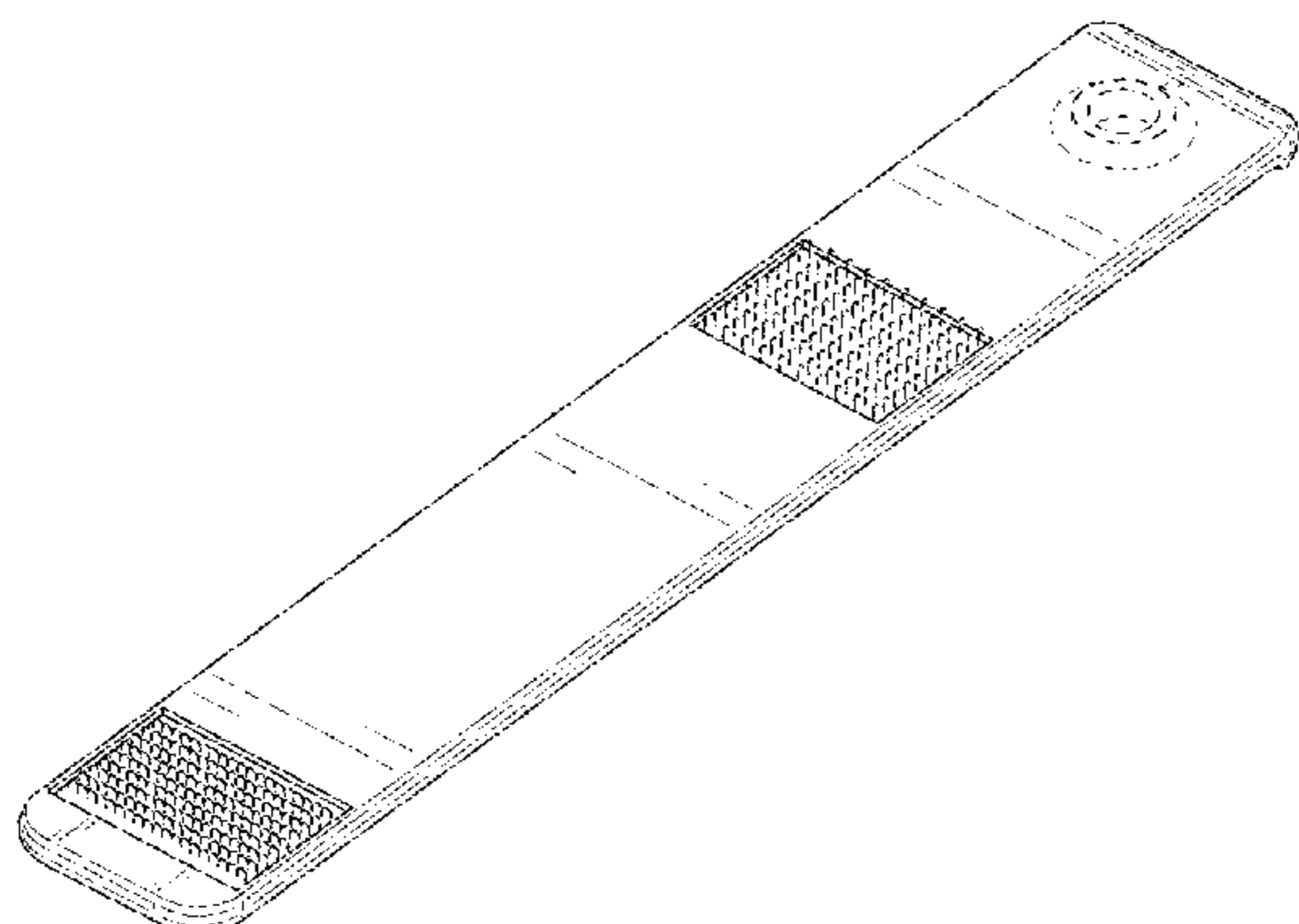
(58) **Field of Classification Search**  
USPC ..... D8/356, 354, 349; 220/575;  
206/521.15; 24/302, 16 R, 306;  
439/501; 381/374; D14/217, 205  
See application file for complete search history.

(56) **References Cited**

**U.S. PATENT DOCUMENTS**

D39,960 S	5/1909	Mussillon
1,544,386 A	6/1925	Fridolph
1,675,421 A	12/1928	Pettee et al.
1,722,498 A	7/1929	Fridolph
2,965,939 A	12/1960	Olsson
D206,401 S	12/1966	Fisher
D224,960 S	10/1972	Wilson
3,919,740 A	11/1975	Scherb

3,994,048 A	11/1976	Rosenthal	
4,815,172 A	3/1989	Ward	
4,920,235 A	4/1990	Yamaguchi	
4,940,427 A	7/1990	Pearson	
4,957,232 A	9/1990	Sprague	
5,048,158 A	9/1991	Koerner	
5,130,899 A	7/1992	Larkin et al.	
5,142,743 A	9/1992	Hahn	
5,168,603 A	12/1992	Reed	
D357,739 S	4/1995	Stewart et al.	
5,402,971 A	4/1995	Bower	
5,517,838 A	5/1996	Moore	
5,518,214 A	5/1996	Spencer	
5,572,773 A	11/1996	Bauer	
5,584,452 A	12/1996	Koike	
5,586,760 A	12/1996	Hauter	
5,604,961 A	2/1997	Cole	
5,682,653 A	11/1997	Berglof et al.	
D390,447 S	2/1998	Colen, Jr.	
5,732,445 A *	3/1998	Stodolka et al. ....	24/16 R
5,802,676 A	9/1998	Tolan	
D401,137 S	11/1998	Boelling	
5,845,374 A *	12/1998	Briggs .....	24/442
6,010,105 A	1/2000	Davis	
6,044,525 A	4/2000	Sastre et al.	
6,085,393 A	7/2000	Tsui et al.	
6,087,594 A	7/2000	Chou	
6,131,200 A *	10/2000	McNamara .....	2/144
6,279,804 B1	8/2001	Gregg	
6,301,754 B1	10/2001	Grunberger et al.	
6,344,021 B1	2/2002	Juster et al.	
D454,235 S	3/2002	Kaplan	
6,427,290 B1	8/2002	Liu	
6,467,132 B1	10/2002	Robley	
6,490,767 B2	12/2002	Haiduk	
6,499,199 B2	12/2002	Frazier	
6,581,885 B2	6/2003	Polad	
6,588,074 B2	7/2003	Galkiewicz et al.	
6,701,580 B1	3/2004	Bandyopadhyay	
D488,374 S	4/2004	Hussaini et al.	
6,763,554 B1	7/2004	Torrey et al.	
D495,972 S *	9/2004	Pettingill .....	D11/220
6,880,270 B2	4/2005	Prather	
6,992,253 B1	1/2006	Spellman et al.	
7,025,509 B2	4/2006	Martin	
7,039,958 B2	5/2006	Henricksen	
7,096,544 B2	8/2006	Lusardi	
7,213,278 B2	5/2007	Peterson et al.	
D566,526 S *	4/2008	Robbins et al. ....	D8/354
D567,630 S	4/2008	Brassard	
D567,631 S	4/2008	Brassard	
D572,156 S	7/2008	Payne	
7,448,689 B2	11/2008	Carter et al.	



7,516,591	B2	4/2009	Wolner et al.	
7,543,359	B2	6/2009	Moughelbay et al.	
D599,196	S	9/2009	Ruffin et al.	
D613,137	S	4/2010	Wieberdink et al.	
7,712,696	B2	5/2010	Loh	
7,731,069	B2	6/2010	Lopreiato	
D619,884	S	7/2010	Hansort	
D624,378	S	9/2010	Wysopal	
D625,579	S	10/2010	Lee et al.	
D636,659	S	4/2011	Rothbaum et al.	
D639,963	S	6/2011	Kase	
8,002,159	B2	8/2011	Cragg	
D645,333	S	9/2011	Rothbaum et al.	
8,103,352	B2	1/2012	Fried et al.	
D654,052	S	2/2012	Lee et al.	
D660,740	S	5/2012	Cullen et al.	
D662,087	S	6/2012	Peller	
D664,831	S *	8/2012	Scherer .....	D8/349
D666,076	S *	8/2012	Muratore et al. ....	D8/349
D666,896	S	9/2012	Pinholster, Jr. et al.	
8,261,416	B2	9/2012	Rothbaum et al.	
D675,123	S *	1/2013	Nunez .....	D11/3
D676,425	S *	2/2013	Nishimura et al. ....	D14/217
D676,733	S *	2/2013	Zach et al. ....	D8/323
8,413,306	B2 *	4/2013	Gallant et al. ....	24/306
2001/0035242	A1	11/2001	Hughs et al.	
2002/0033271	A1	3/2002	Fritschle et al.	
2002/0073516	A1	6/2002	Behar	
2002/0112323	A1	8/2002	Nire	
2003/0167605	A1	9/2003	Schultz	
2004/0003487	A1 *	1/2004	Reiter .....	24/303
2005/0016760	A1	1/2005	Vasichak	
2005/0025329	A1	2/2005	Lee	
2005/0255898	A1	11/2005	Huang	
2006/0008106	A1	1/2006	Harper	
2006/0121962	A1	6/2006	Kohli	
2006/0178041	A1	8/2006	Lund et al.	
2006/0186150	A1	8/2006	Willows et al.	
2007/0086617	A1	4/2007	Loh	
2007/0152008	A1	7/2007	Case	
2008/0041897	A1	2/2008	Malhotra	
2008/0083096	A1	4/2008	Wilkinson	
2008/0149679	A1	6/2008	Case et al.	
2008/0164157	A1	7/2008	Sween et al.	
2009/0013504	A1	1/2009	Crespo	
2009/0016559	A1	1/2009	Cleary	
2009/0314515	A1	12/2009	Bevirt et al.	

FOREIGN PATENT DOCUMENTS

CN	201352845	Y	11/2009
GB	2420552	A	5/2006
JP	63125493	U	8/1988
JP	11317995	A	11/1999
JP	2001169381	A	6/2001
JP	2003230418	A	8/2003
JP	2003319484	A	11/2003
JP	2006081130	A	3/2006
JP	2006-222712	A	8/2006
JP	2009212918	A	9/2009
KR	20-0301311		1/2003
WO	WO 2004/071056	A1	8/2004

OTHER PUBLICATIONS

Rothbaum, Notice of Allowance, U.S. Appl. No. 29/401,359, Mar. 22, 2013, 12 pgs.  
Rothbaum, Notice of Allowance, U.S. Appl. No. 29/428,997, Feb. 27, 2013, 7 pgs.  
CJD LLC, ISR/WO, PCT/US2010/031087, Apr. 29, 2011, 24 pgs.  
Earbud Clips, Wetjetset.com, Jun. 7, 2010, 3 pgs.  
Headphone cable tidy—pack of 3—accessories for PDA, smartphone . . . , Jun. 7, 2010, 2 pgs.  
Quogue Capital LLC, ISR/WO, PCT/US2009/067927, Jul. 14, 2010, 8 pgs.  
Rothbaum, ISR/WO, PCT/US2010/053244, Jun. 24, 2011, 24 pgs.  
Rothbaum, Notice of Allowance, U.S. Appl. No. 29/368,746, Dec. 29, 2010, 8 pgs.

Rothbaum, Notice of Allowance, U.S. Appl. No. 29/368,755, May 15, 2012, 8 pgs.  
Rothbaum, Notice of Allowance, U.S. Appl. No. 29/388,372, Jul. 14, 2011, 5 pgs.  
Rothbaum, Notice of Allowance, U.S. Appl. No. 29/401,359, Nov. 15, 2012, 7 pgs.  
Rothbaum, Notice of Allowance, U.S. Appl. No. 29/401,360, Sep. 28, 2012, 5 pgs.  
Rothbaum, Notice of Allowance, U.S. Appl. No. 29/401,643, Sep. 18, 2012, 8 pgs.  
Rothbaum, Notice of Allowance, U.S. Appl. No. 29/401,930, Nov. 23, 2012, 7 pgs.  
Rothbaum, Office Action, U.S. Appl. No. 29/368,754, Jul. 19, 2011, 5 pgs.  
Sumajin smartwrap earphone cord manager, www.ilounge.com, Jun. 7, 2010, 3 pgs.  
Use magnetic paper clips to keep cords from tangling, Jun. 7, 2010, 5 pgs.

\* cited by examiner

*Primary Examiner* — Cynthia Underwood  
(74) *Attorney, Agent, or Firm* — Morgan Lewis & Bockius LLP

(57) **CLAIM**

The ornamental design for a strap with cord attachment mechanism and hook and loop closure for a cord management system, as shown and described.

**DESCRIPTION**

The present application relates to the following Patents and Applications:

to U.S. utility patent number application Ser. No. 12/761,326, filed Apr. 15, 2010, (now abandoned),  
to U.S. design patent application Ser. No. 29/368,746, filed Aug. 27, 2010 (now Pat. No. D636,659),  
to U.S. design patent application Ser. No. 29/368,755, filed Aug. 27, 2010, (now Pat. No. D667,291),  
to U.S. design application Ser. No. 29/388,372, filed Mar. 28, 2011, (now Pat. No. D645,333),  
to U.S. design application Ser. No. 29/401,643, filed Sep. 13, 2011,  
to U.S. design application Ser. No. 29/401,359, filed Sep. 11, 2011, and  
to U.S. design application Ser. No. 29/401,360, filed Sep. 11, 2011.

FIG. 1 is a perspective view of an embodiment of our new design of a strap with a cord attachment mechanism and hook and loop closure for a cord management system.

FIG. 2 is a top view of the embodiment of FIG. 1.

FIG. 3 is a bottom view of the embodiment of FIG. 1.

FIG. 4 is a view of a first side of the embodiment of FIG. 1.

FIG. 5 is a view of a second side of the embodiment of FIG. 1.

FIG. 6 is a view of a third side of the embodiment of FIG. 1.

FIG. 7 is a view of a fourth side of the embodiment of FIG. 1.

FIG. 8 is another perspective view of the embodiment of FIG. 1, shown in a partially folded position and in an environment of use; and,

FIG. 9 is another perspective view of the embodiment of FIG. 1 provided for illustrative purposes, shown in a fully folded position and in an environment of use.

The broken lines are included for illustrative purposes only and form no part of the claim.

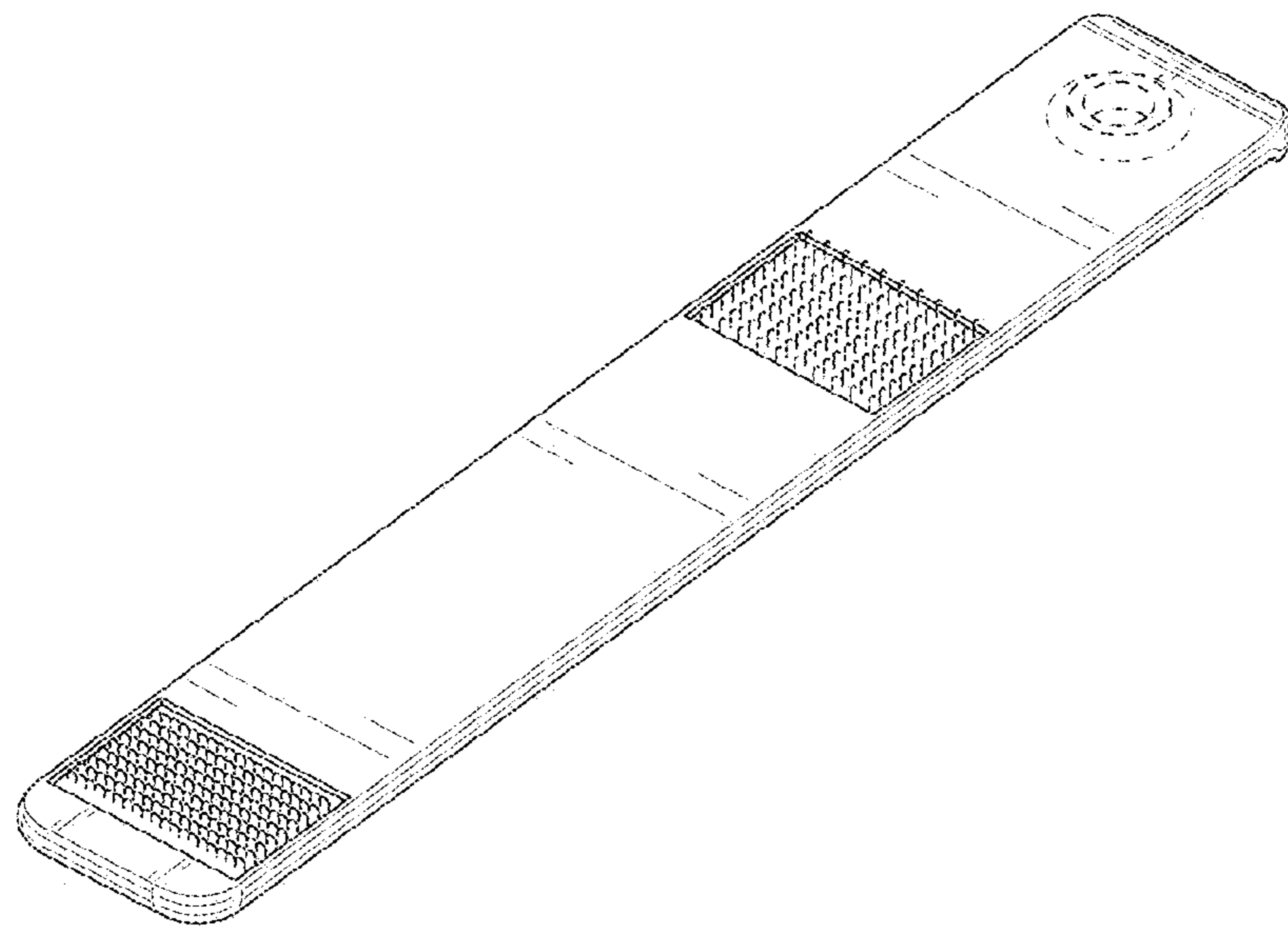


FIG. 1

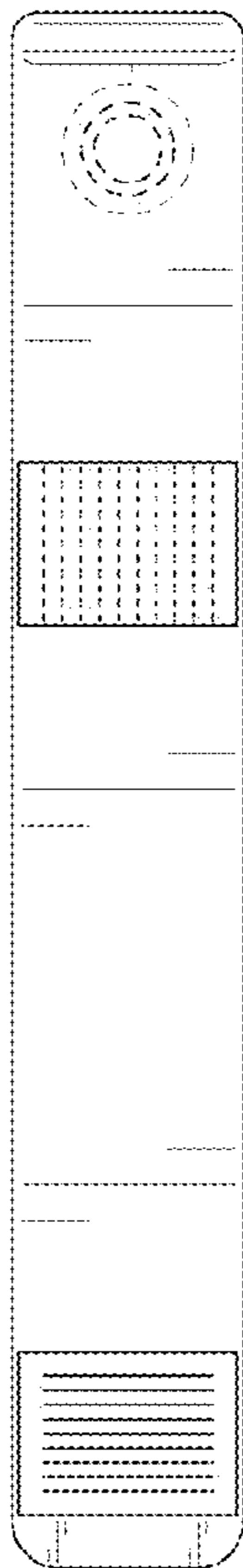


FIG. 2

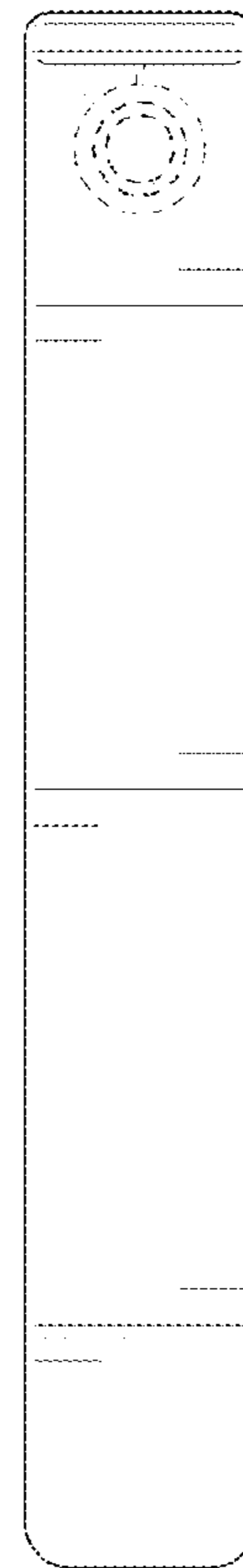


FIG. 3

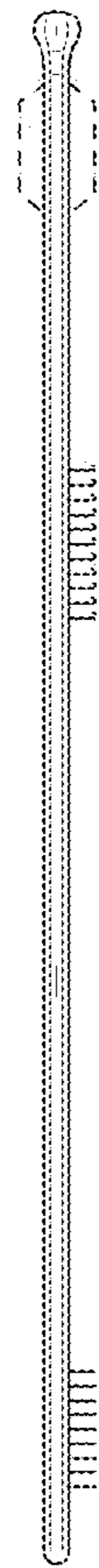


FIG. 4

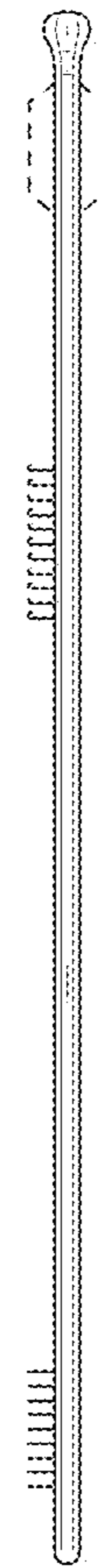


FIG. 5

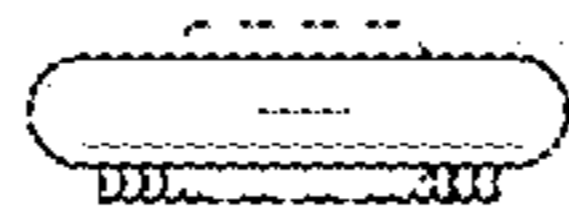


FIG. 6



FIG. 7

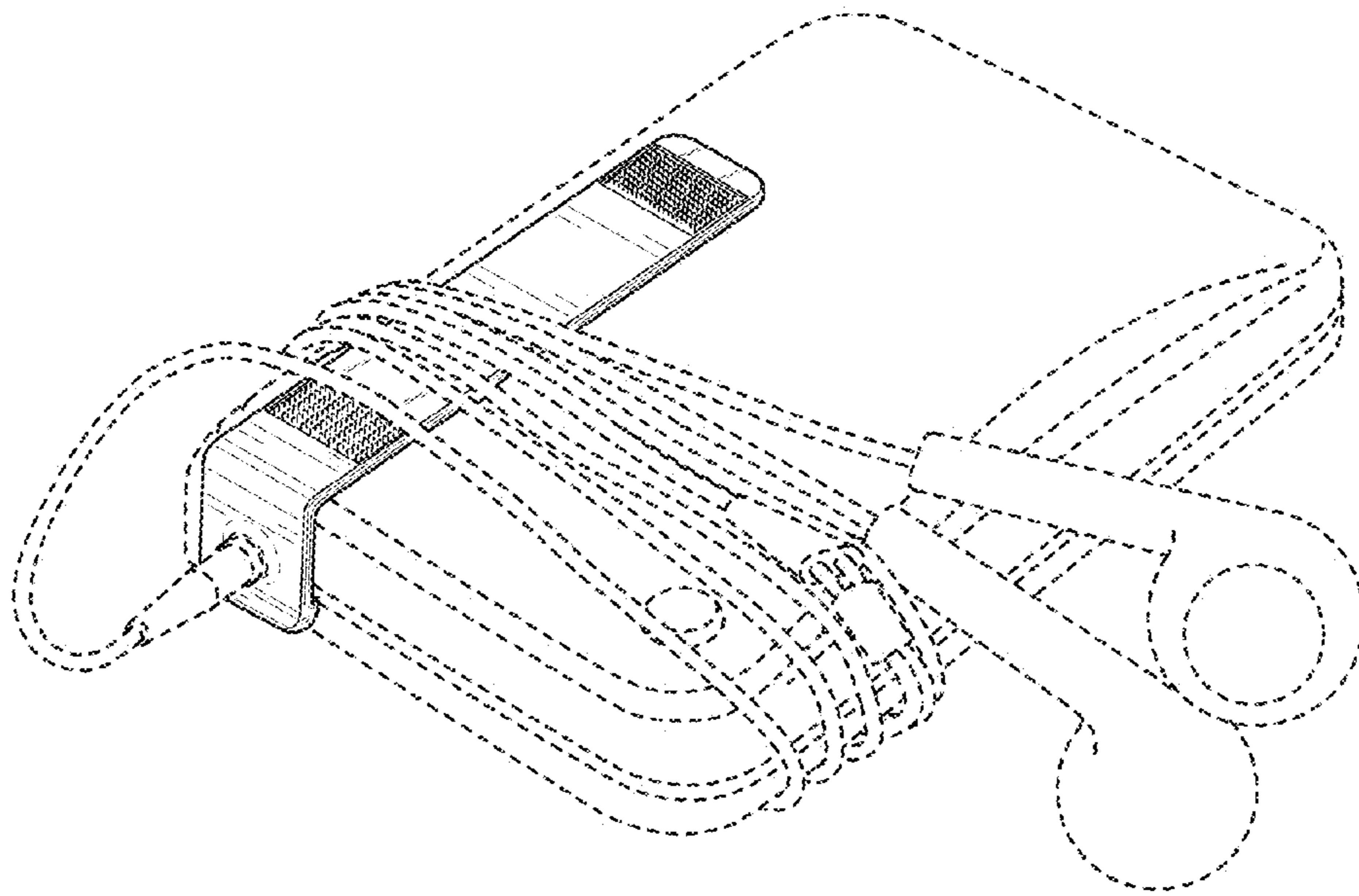


FIG. 8

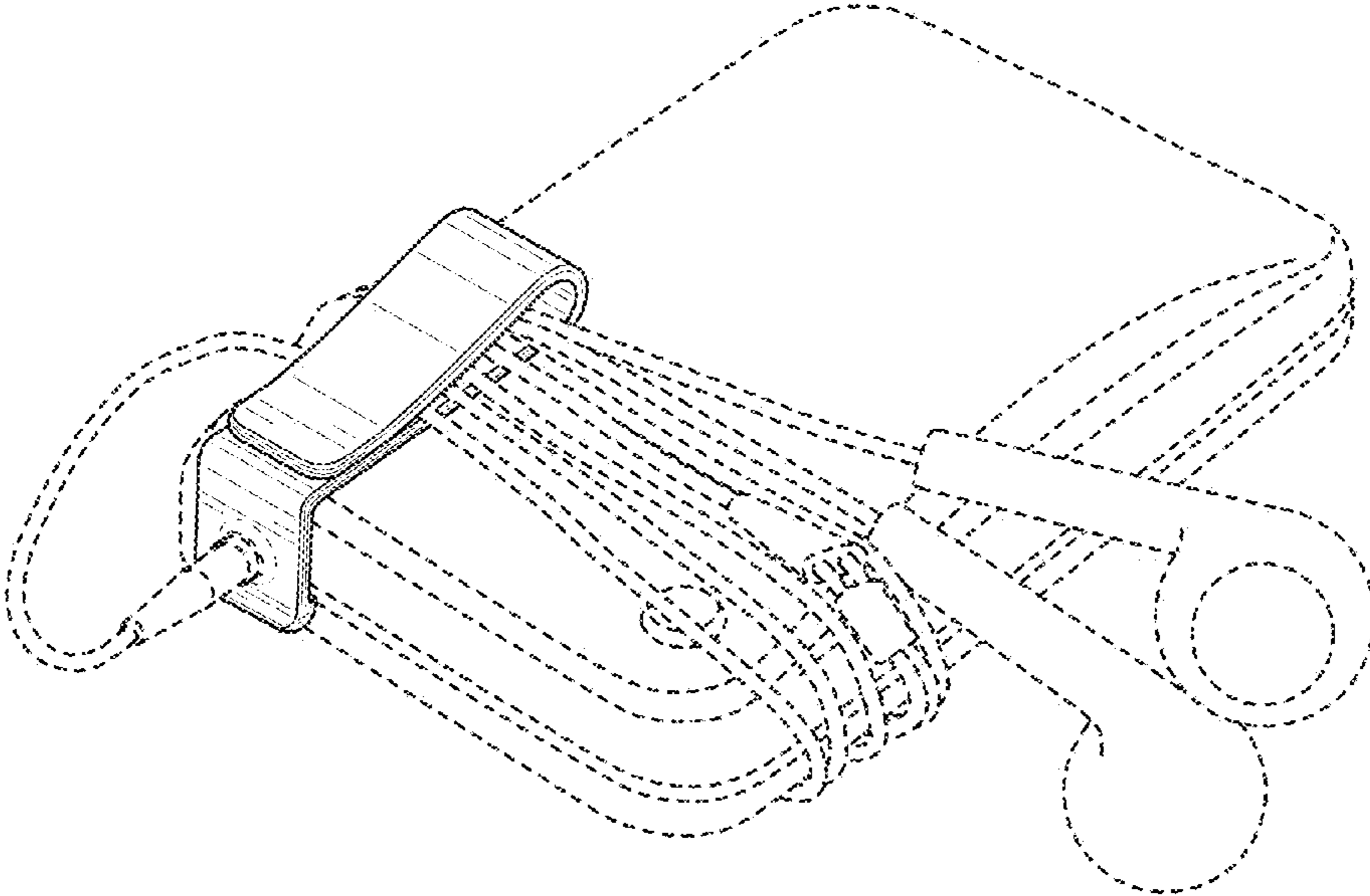


FIG. 9