

US00D691461S

(12) **United States Design Patent**
Waugh et al.

(10) **Patent No.:** **US D691,461 S**
(45) **Date of Patent:** **** Oct. 15, 2013**

(54) **MOUNTING BRACKET**

(75) Inventors: **Darren Trevor Waugh**, Victoria (AU);
Warwick John Drenth, Victoria (AU)

(73) Assignee: **Vehicle Development Corporation Pty Ltd.**, Victoria (AU)

(**) Term: **14 Years**

(21) Appl. No.: **29/406,282**

(22) Filed: **Nov. 11, 2011**

(30) **Foreign Application Priority Data**

May 12, 2011 (AU) 2011-12129

(51) **LOC (9) Cl.** **08-05**

(52) **U.S. Cl.**
USPC **D8/354**

(58) **Field of Classification Search**

USPC D8/349, 354, 380, 382, 366, 363,
D8/371, 373, 376; 248/300, 237, 309.1,
248/200, 205.1, 207, 214, 235, 247, 351,
248/220.41; 52/188, 182, 191, 702, 712,
52/745.06, 189, 506.5, 586.1; 29/428, 525.01,
29/464; 249/14, 205, 208; 403/167, 169;
211/86.01, 90.01, 105.1, 193, 134; 108/152;
40/642.02; D12/400, 223, 159; D15/21,
D15/28

See application file for complete search history.

(56) **References Cited**

U.S. PATENT DOCUMENTS

D330,154	S	*	10/1992	Wagner	D8/354
D362,384	S	*	9/1995	Middlebrook	D8/354
D420,273	S	*	2/2000	Rich et al.	D8/354
D442,539	S	*	5/2001	Nickel	D12/223
D442,908	S	*	5/2001	Nickel	D12/223
D530,187	S	*	10/2006	Esbaugh	D8/354
D559,658	S	*	1/2008	Wohlford et al.	D8/354
D562,112	S	*	2/2008	Harrell	D8/354
D585,570	S	*	1/2009	Zeilinger et al.	D25/138
7,717,080	B1	*	5/2010	Grozich	123/195 A
8,028,671	B1	*	10/2011	Grozich	123/195 A

* cited by examiner

Primary Examiner — Mark Goodwin

(74) *Attorney, Agent, or Firm* — Allen, Dyer, Doppelt, Milbrath & Gilchrist, P.A.

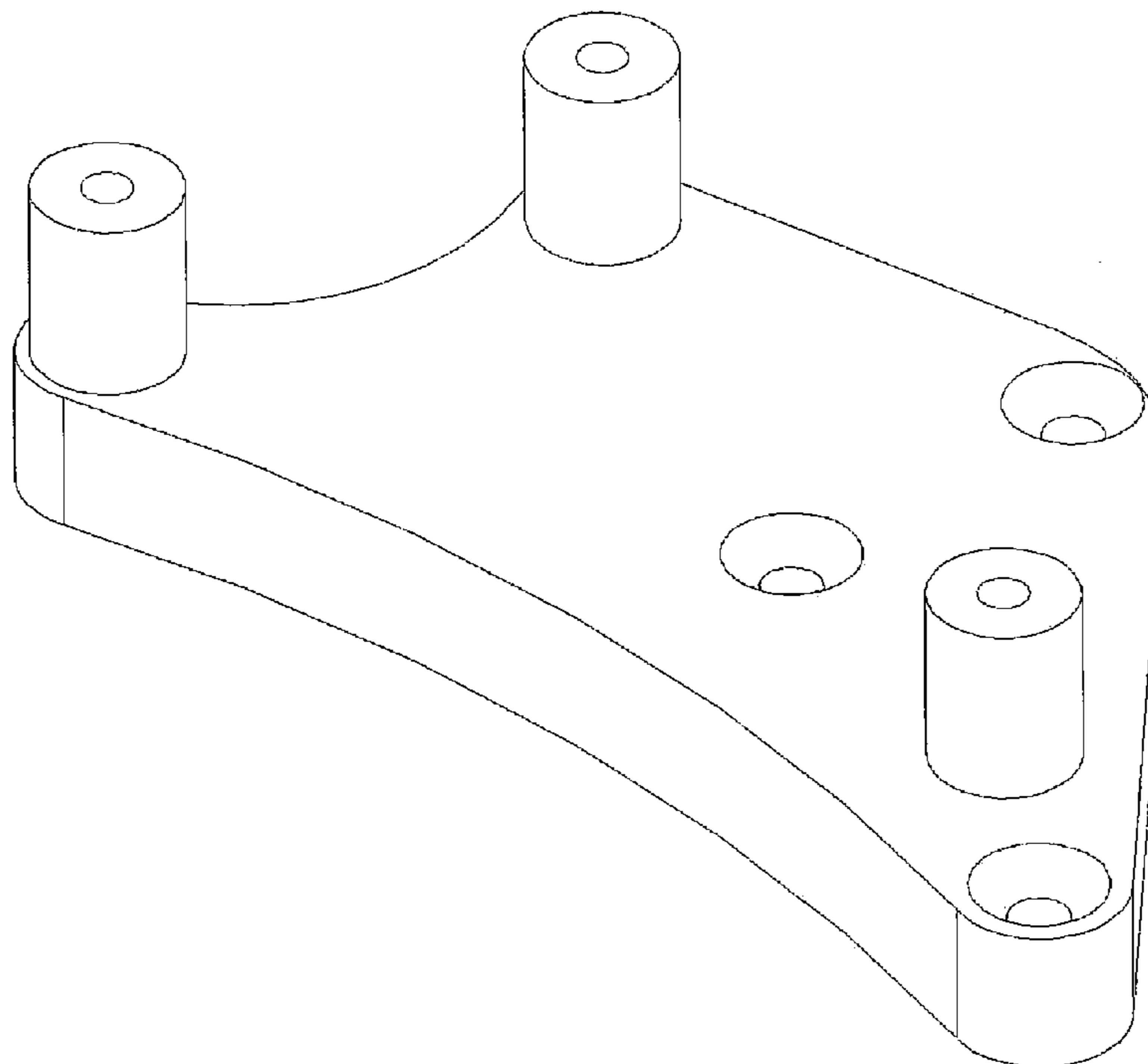
(57) **CLAIM**

The ornamental design for the mounting bracket, as shown and described in the accompanying figures.

DESCRIPTION

FIG. 1 is a front, isometric view of the mounting bracket according to the present design;
FIG. 2 is a top view of the mounting bracket of FIG. 1;
FIG. 3 is a right side view of the mounting bracket of FIG. 1;
FIG. 4 is a left side view of the mounting bracket of FIG. 1;
FIG. 5 is a front view of the mounting bracket of FIG. 1;
FIG. 6 is a rear view of the mounting bracket of FIG. 1; and,
FIG. 7 is a bottom view of the mounting bracket of FIG. 1.

1 Claim, 7 Drawing Sheets



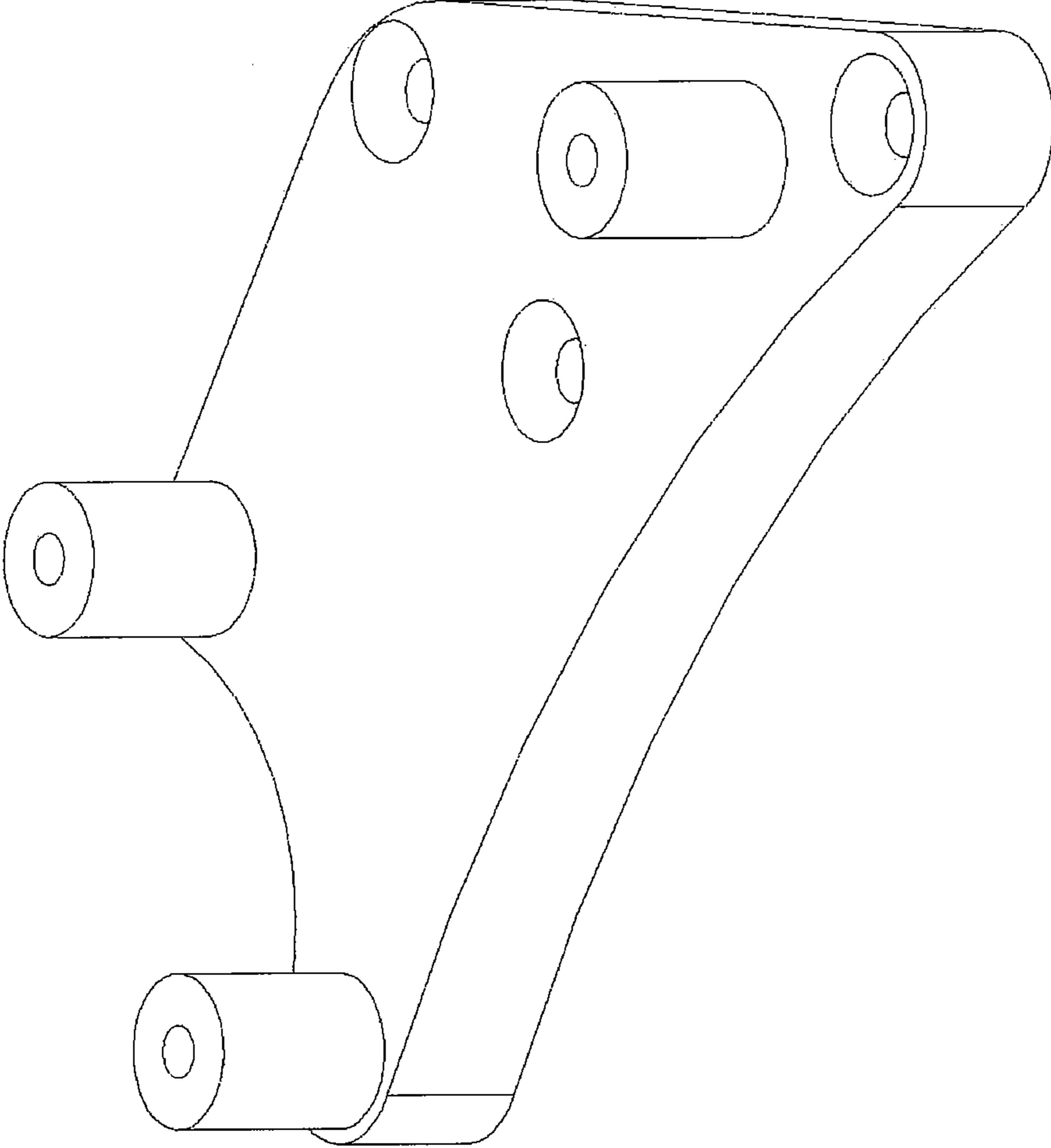


FIG. 1

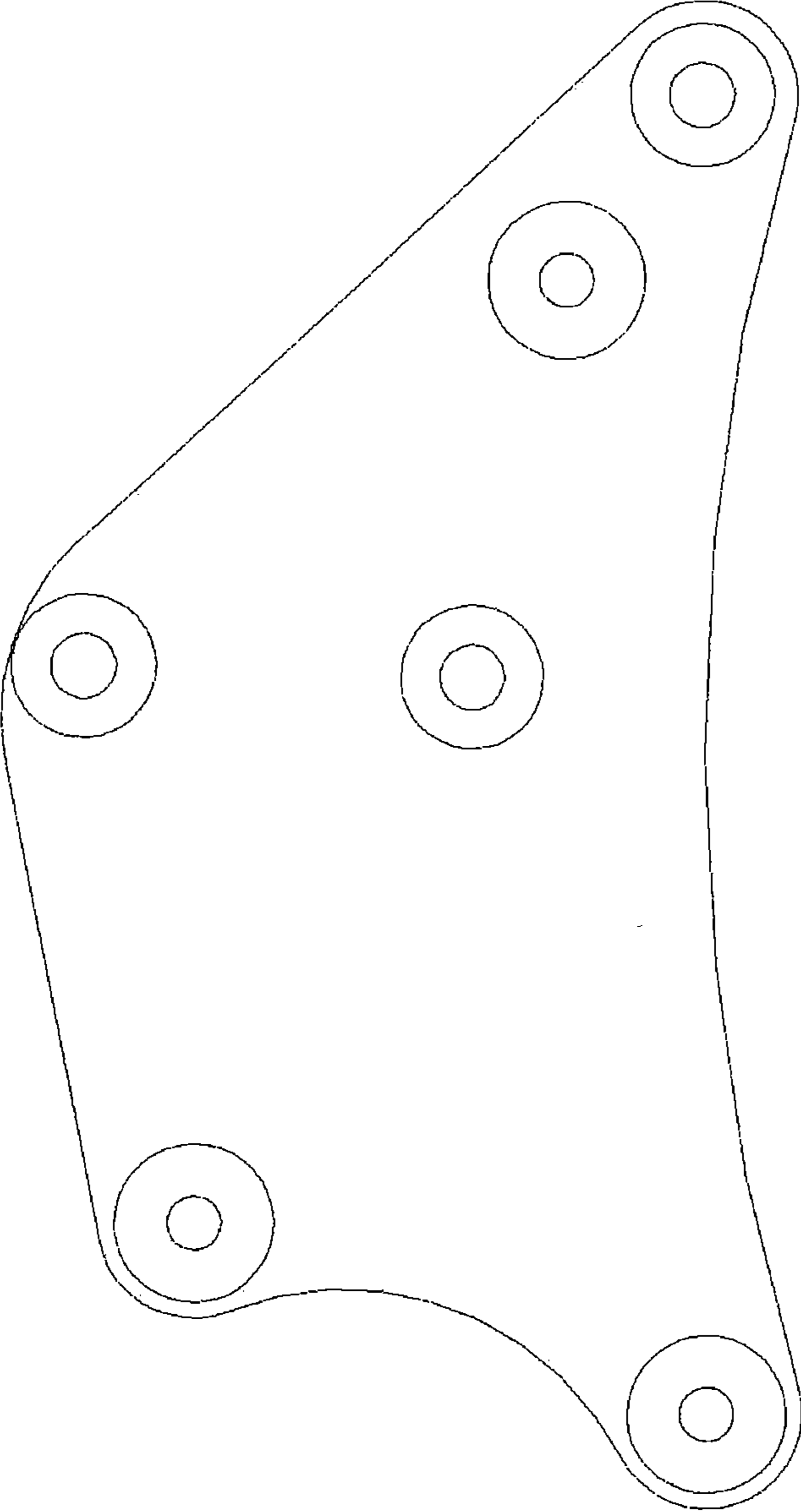


FIG. 2

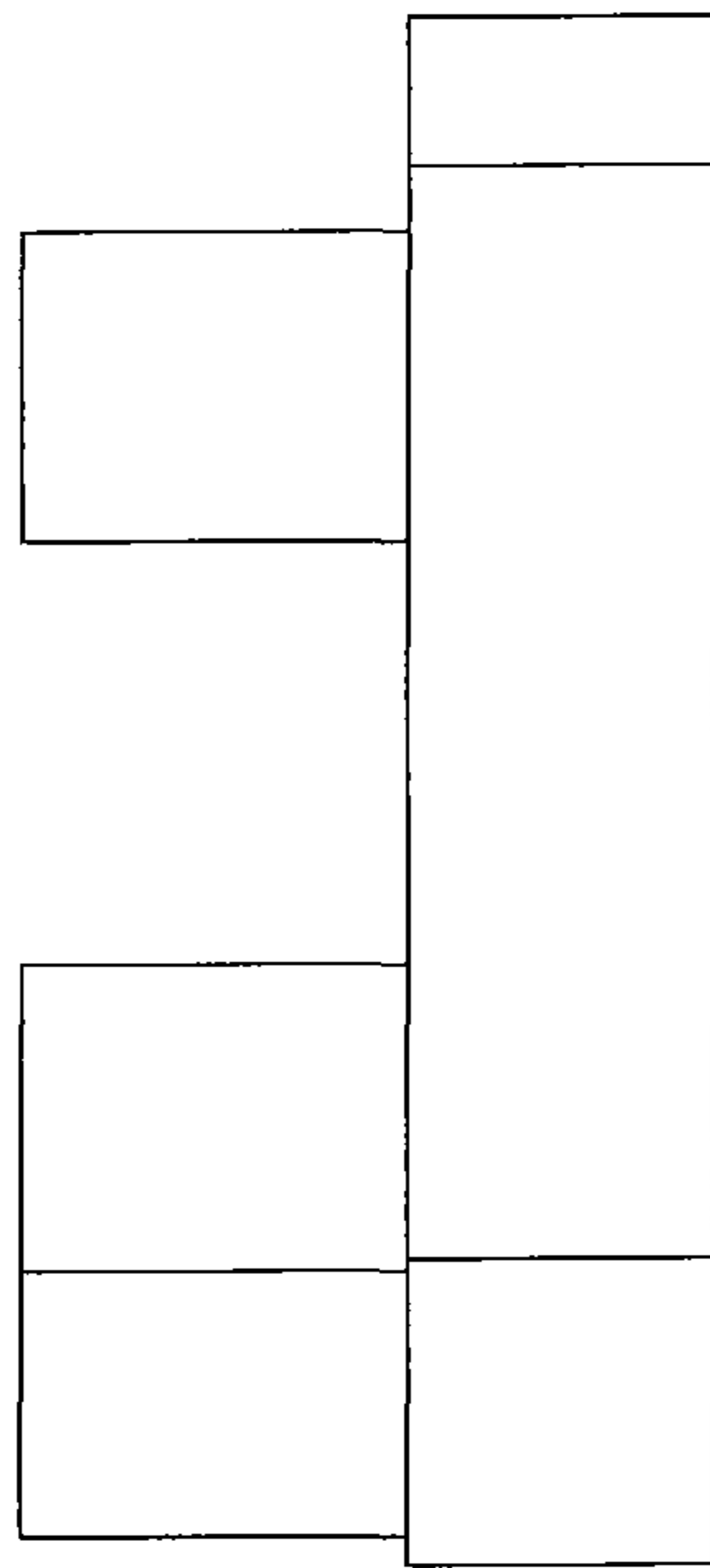


FIG. 3

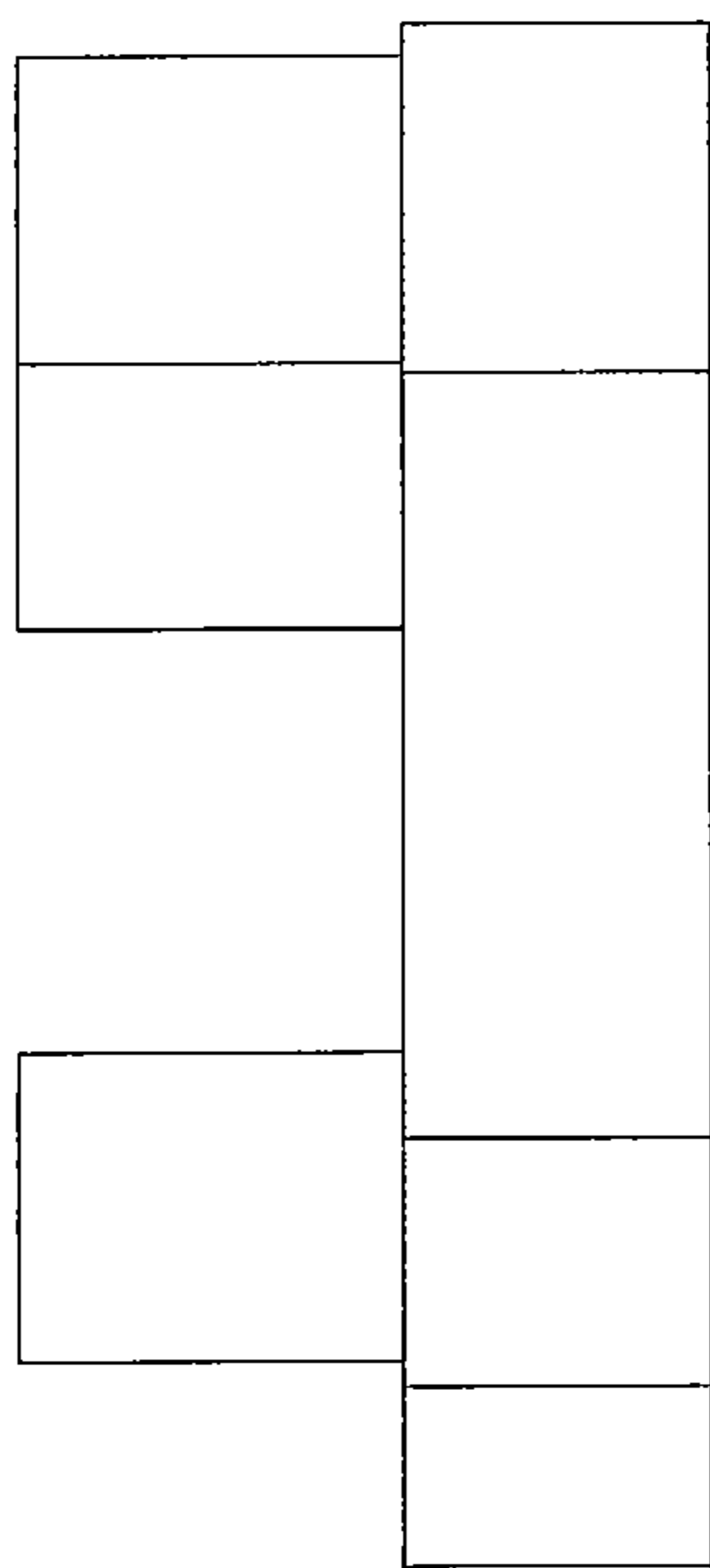


FIG. 4

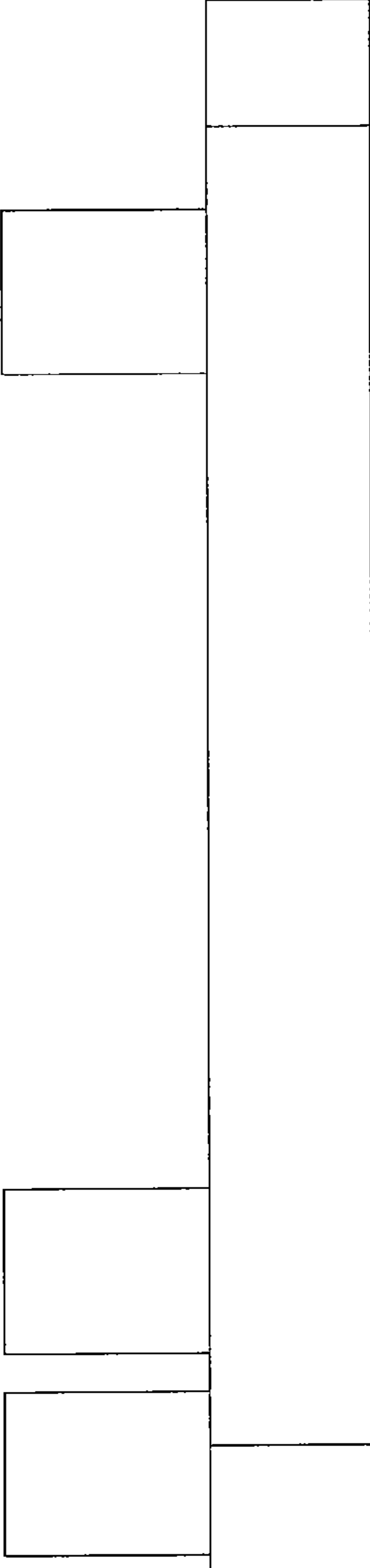


FIG. 5

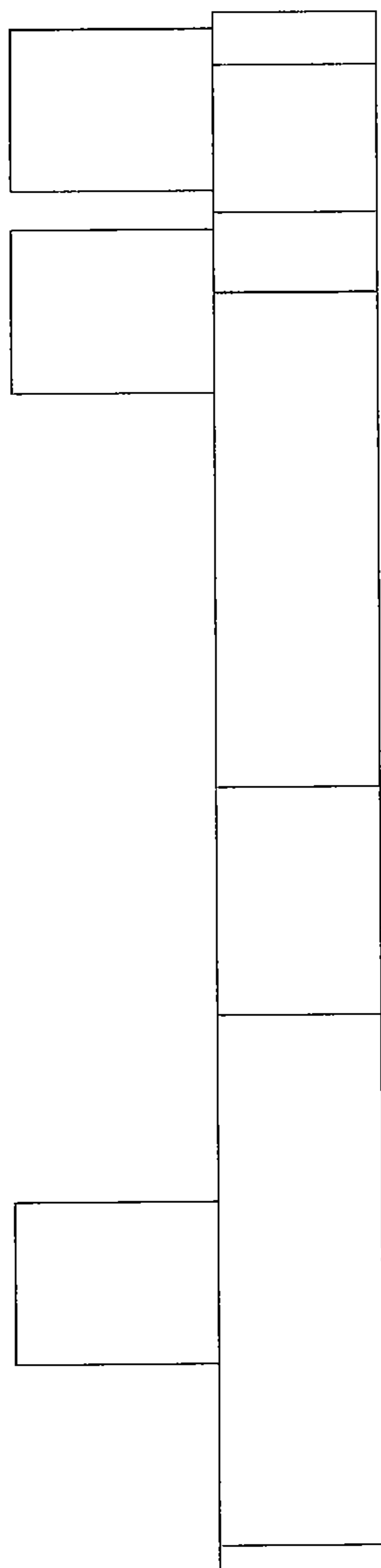


FIG. 6

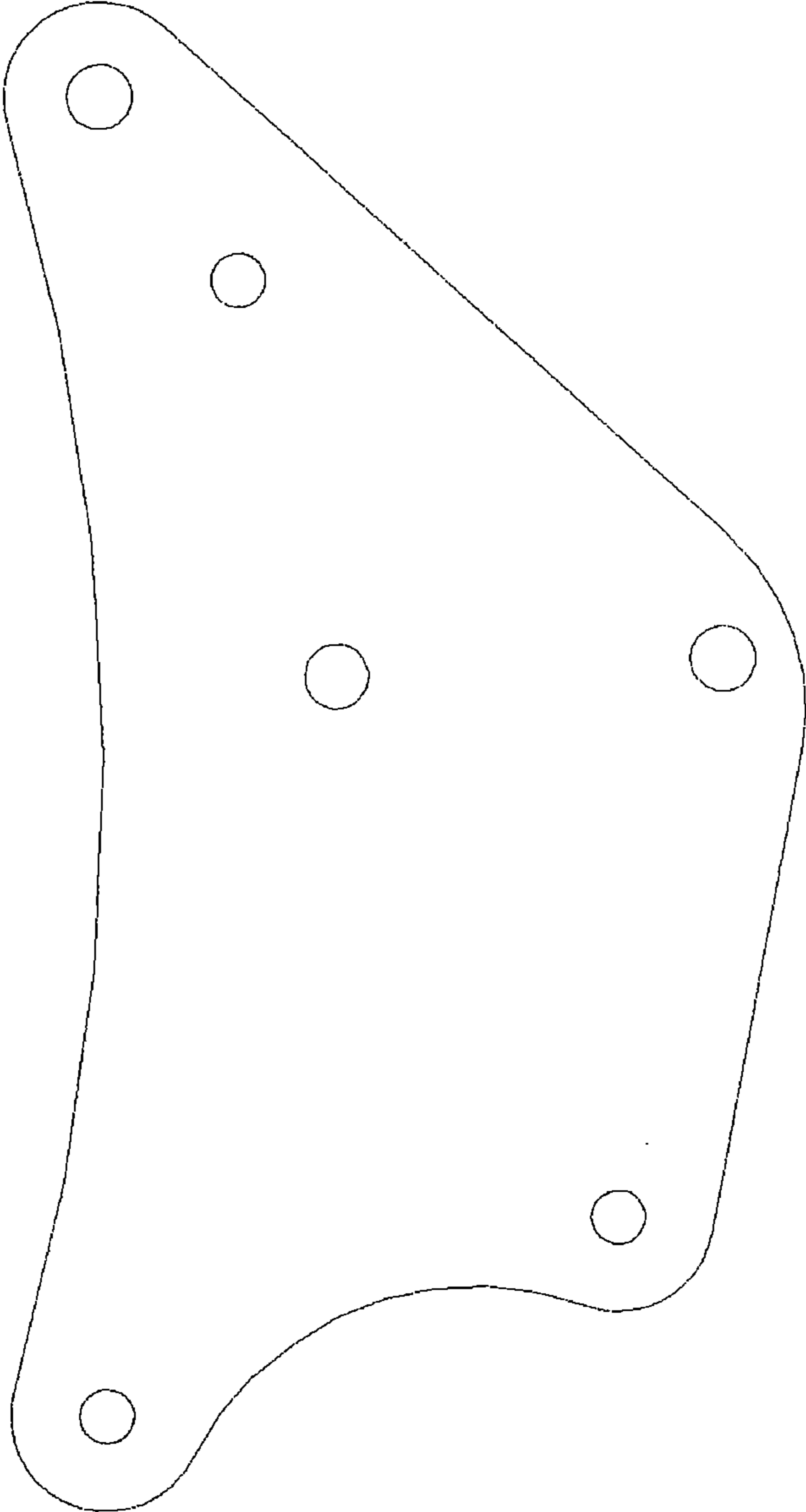


FIG. 7