

US00D691460S

(12) **United States Design Patent**
Stanic et al.

(10) **Patent No.:** **US D691,460 S**

(45) **Date of Patent:** **** Oct. 15, 2013**

(54) **BRACKET**

40/642.02; D12/400, 223, 159; D15/21,
D15/28

(75) Inventors: **Dragomir Stanic**, Matraville (AU);
Miguel Antonio Cruz Mojica, Warwick
Farm (AU)

See application file for complete search history.

(73) Assignee: **Orica Australia Pty Ltd**, Melbourne
(AU)

(56) **References Cited**

(**) Term: **14 Years**

U.S. PATENT DOCUMENTS

(21) Appl. No.: **29/406,279**

D349,231	S	*	8/1994	Cislo	D8/349
D474,676	S	*	5/2003	Bainbridge	D8/354
D557,114	S	*	12/2007	Lorman	D8/354
D615,005	S	*	5/2010	Noble et al.	D12/159
D624,461	S	*	9/2010	Noble et al.	D12/159
D624,462	S	*	9/2010	Noble et al.	D12/159
D624,463	S	*	9/2010	Noble et al.	D12/159

(22) Filed: **Nov. 11, 2011**

* cited by examiner

(30) **Foreign Application Priority Data**

May 12, 2011 (AU) 12115/2011

Primary Examiner — Mark Goodwin

(51) **LOC (9) Cl.** **08-05**

(74) *Attorney, Agent, or Firm* — Dickinson Wright PLLC

(52) **U.S. Cl.**
USPC **D8/354**

(57) **CLAIM**

The ornamental design for a bracket, as shown and described.

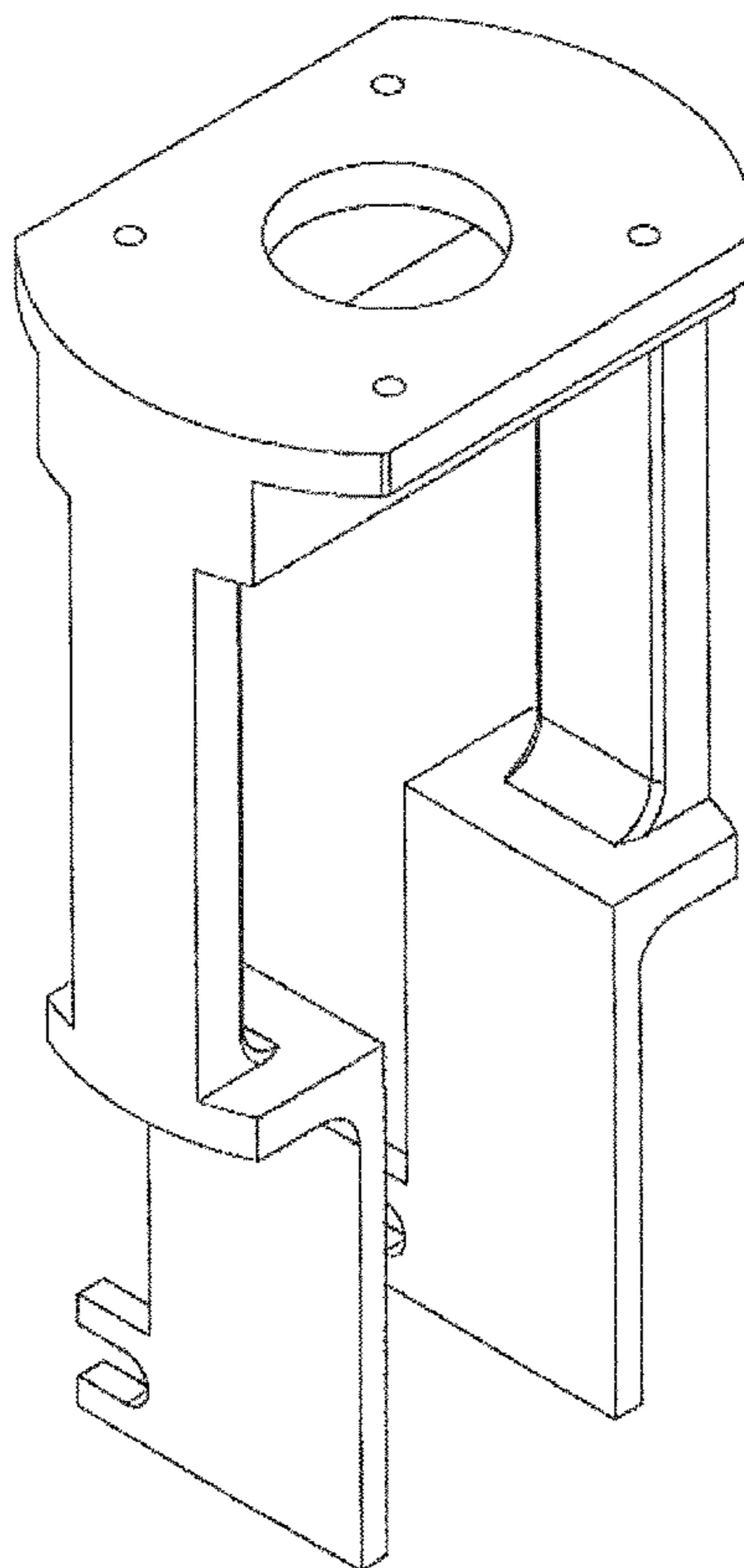
(58) **Field of Classification Search**

USPC D8/349, 354, 380, 382, 366, 363,
D8/371, 373, 376; 248/300, 237, 309.1,
248/200, 205.1, 207, 214, 235, 247, 351,
248/220.41; 52/188, 182, 191, 702, 712,
52/745.06, 189, 506.5, 586.1; 29/428, 525.01,
29/464; 249/14, 205, 208; 403/167, 169;
211/86.01, 90.01, 105.1, 193, 134; 108/152;

DESCRIPTION

FIG. 1 is a perspective view of a bracket;
FIG. 2 is a front view of the bracket;
FIG. 3 is a side view of the bracket; and,
FIG. 4 is a bottom view of the bracket.

1 Claim, 4 Drawing Sheets



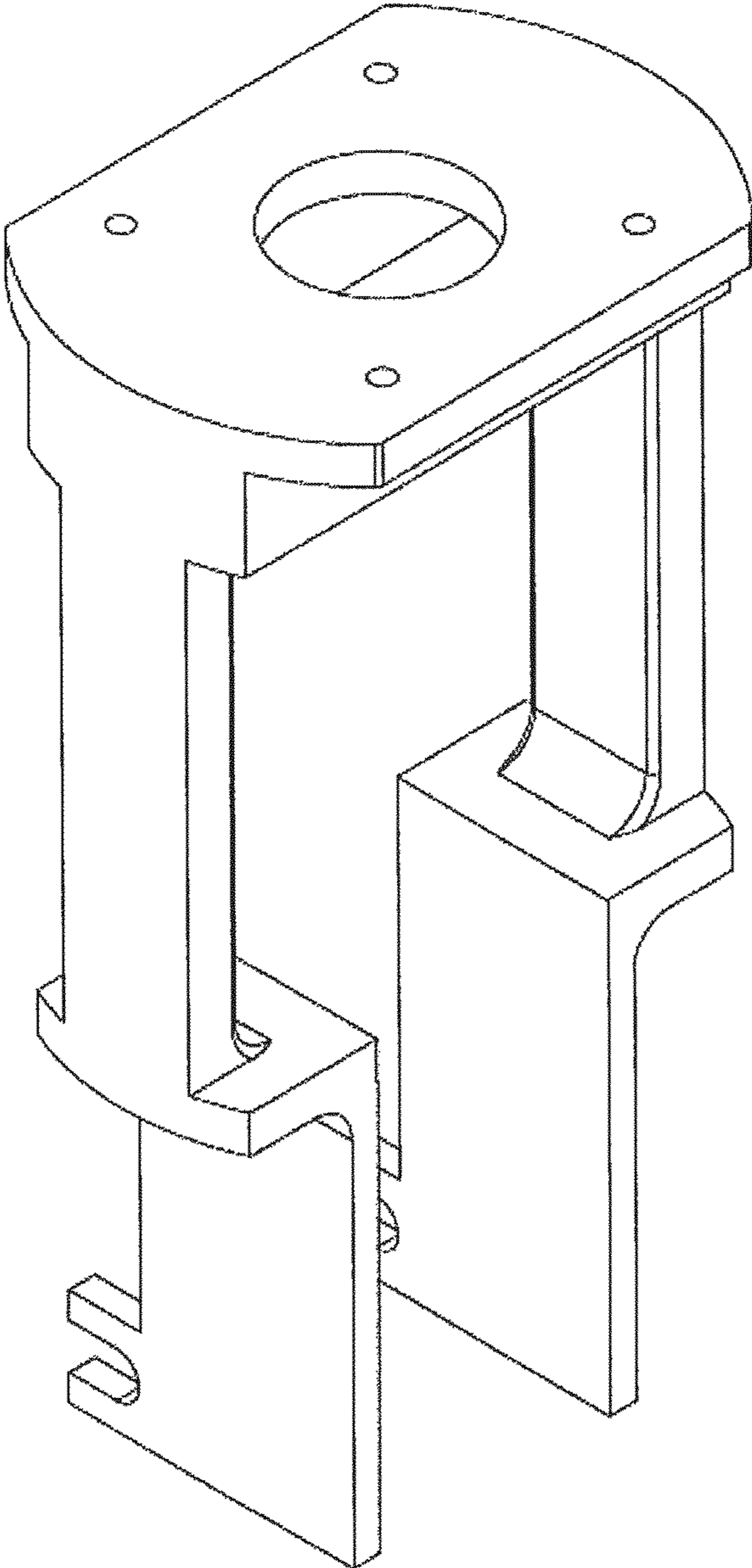


Figure 1

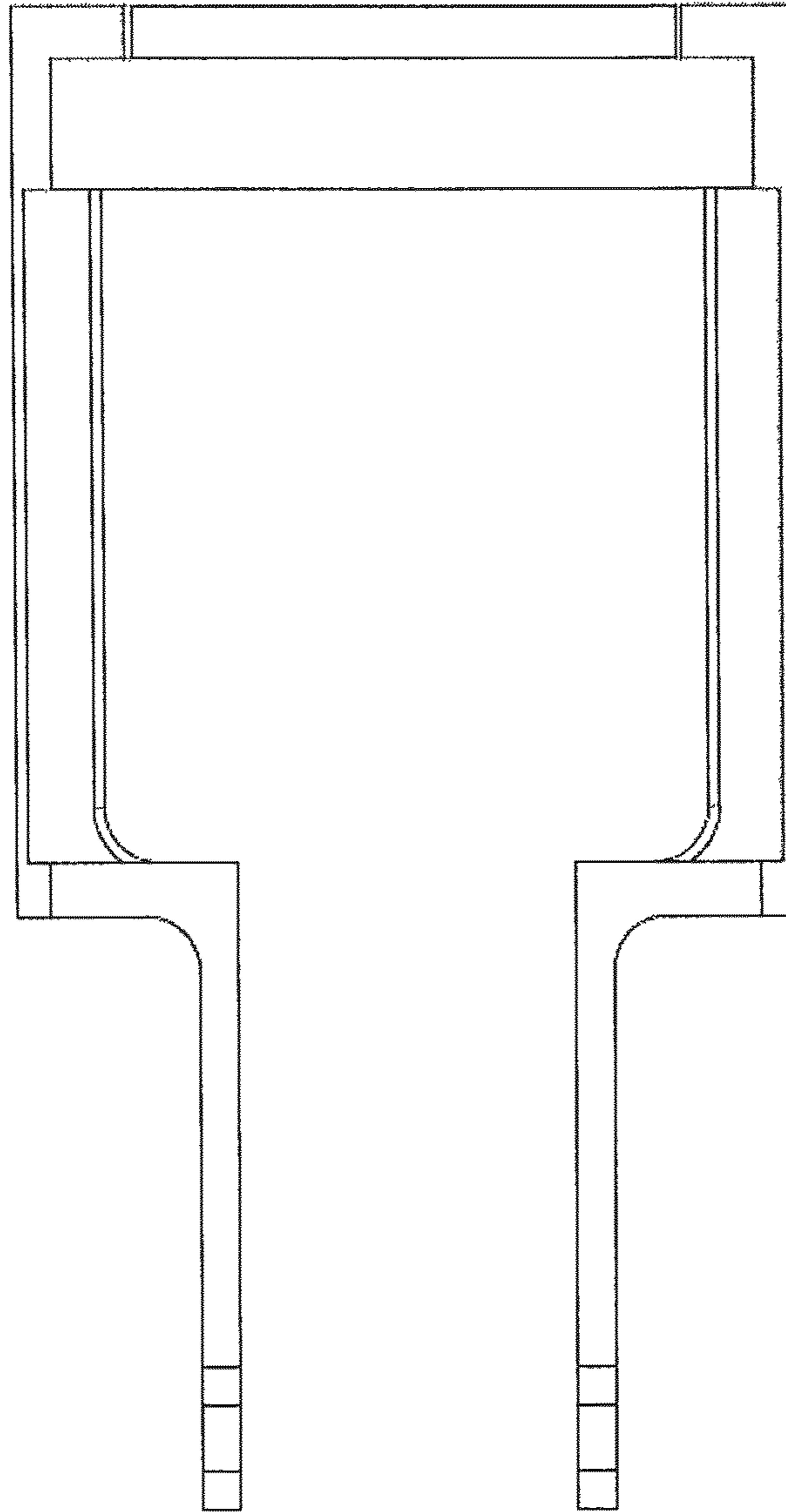


Figure 2

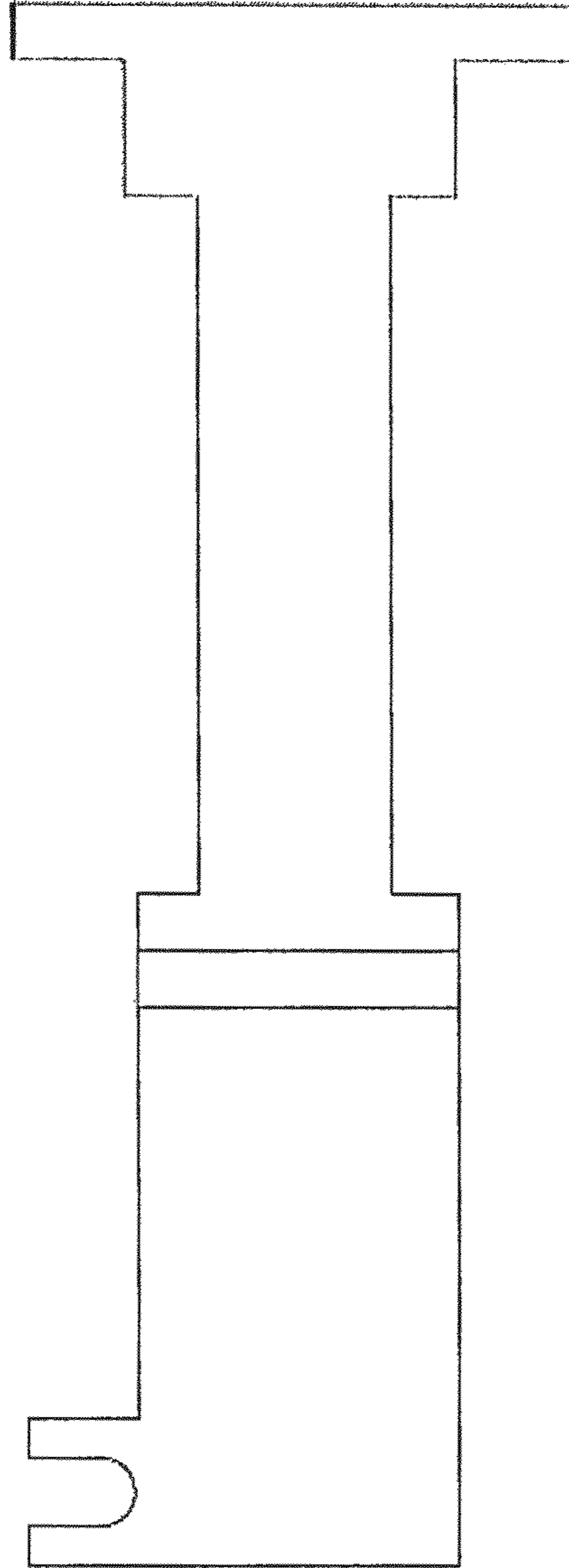


Figure 3

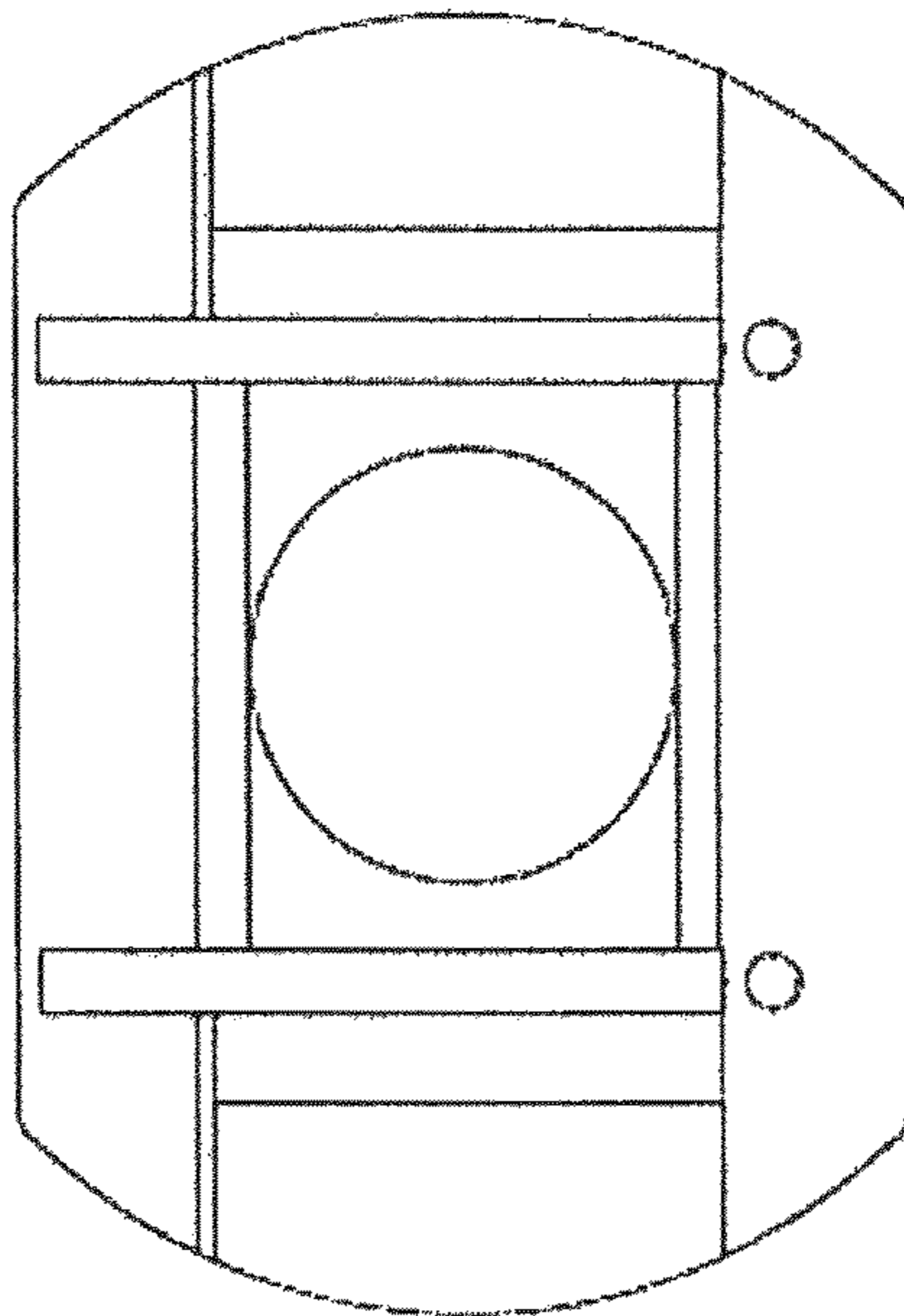


Figure 4