



US00D691459S

(12) **United States Design Patent**
Waugh et al.

(10) **Patent No.:** **US D691,459 S**
(45) **Date of Patent:** **** Oct. 15, 2013**

(54) **MOUNTING BRACKET**

(75) Inventors: **Darren Trevor Waugh**, Victoria (AU);
Warwick John Drenth, Victoria (AU)

(73) Assignee: **Vehicle Development Corporation Pty Ltd.**, Victoria (AU)

(**) Term: **14 Years**

(21) Appl. No.: **29/406,213**

(22) Filed: **Nov. 10, 2011**

(51) **LOC (9) Cl.** **08-05**

(52) **U.S. Cl.**
USPC **D8/354**

(58) **Field of Classification Search**
USPC D8/349, 354, 380, 382, 366, 363, 371,
D8/373, 376; 248/300, 237, 309.1, 200,
248/205.1, 207, 214, 235, 247, 351,
248/220.41; 52/188, 182, 191, 702, 712,
52/745.06, 189, 506.5, 586.1; 29/428,
29/525.01, 464; 249/14, 205, 208;
403/167, 169; 211/86.01, 90.01, 105.1,
211/193, 134; 108/152; 40/642.02;
D12/400, 223, 159; D15/21, 28
See application file for complete search history.

(56) **References Cited**

U.S. PATENT DOCUMENTS

D297,410 S * 8/1988 Sachs D8/356
D313,743 S * 1/1991 Mastrodicasa D8/381

D362,174 S * 9/1995 Sachs D8/354
D376,751 S * 12/1996 Hanson et al. D8/354
D429,208 S * 8/2000 McCoy et al. D12/223
D477,268 S * 7/2003 Baynes D12/223
D482,314 S * 11/2003 McCoy et al. D12/223
D525,860 S * 8/2006 Brogden D8/354
D583,221 S * 12/2008 Johnsen D8/354
D600,627 S * 9/2009 Toll et al. D12/411
D612,224 S * 3/2010 Wendt D8/354
D632,159 S * 2/2011 Charette D8/354
D673,956 S * 1/2013 Yokoyama D14/432

* cited by examiner

Primary Examiner — Mark Goodwin

(74) *Attorney, Agent, or Firm* — Allen, Dyer, Doppelt,
Milbrath & Gilchrist, P.A.

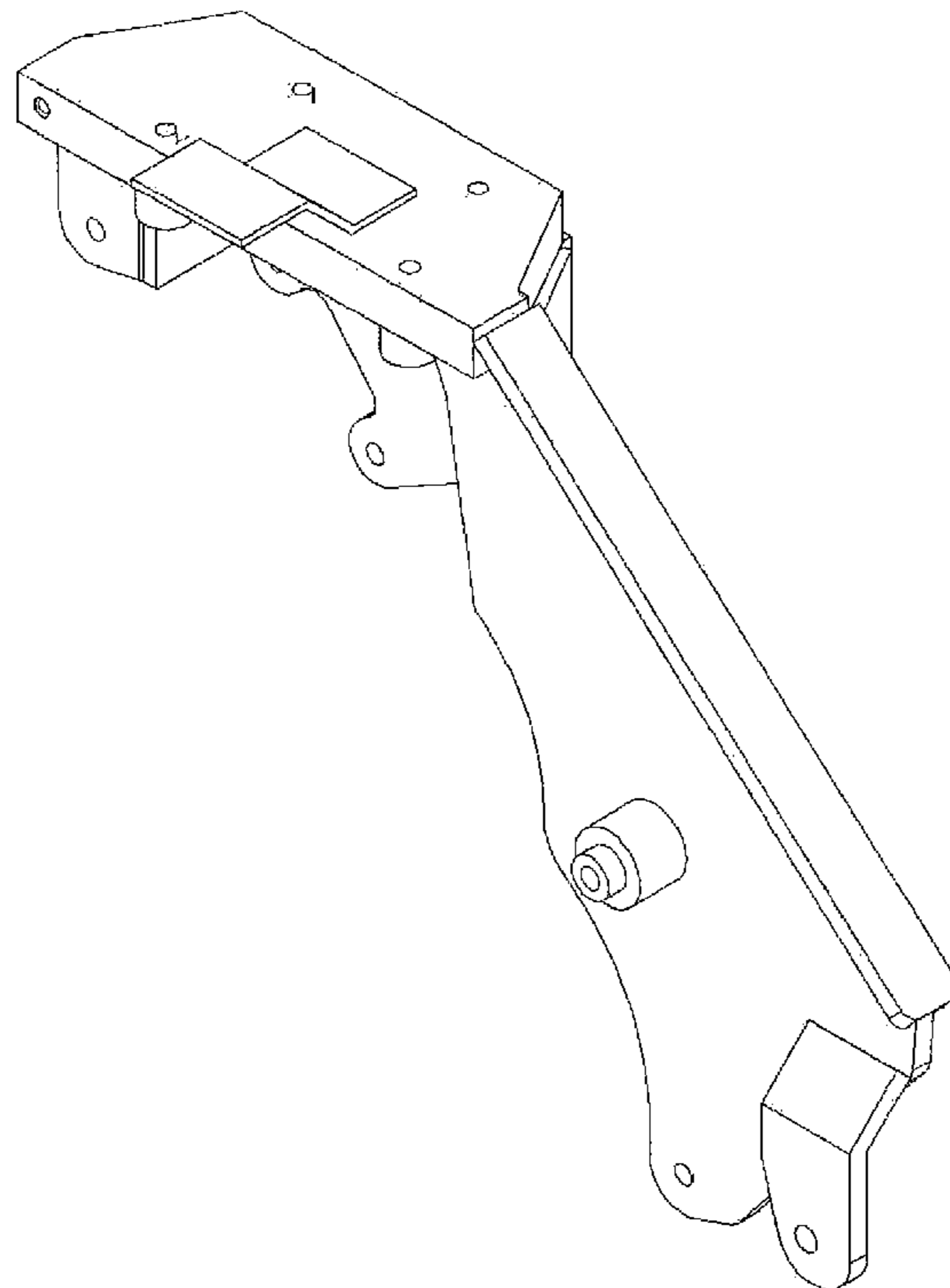
(57) **CLAIM**

The ornamental design for the mounting bracket, as shown and described in the accompanying figures.

DESCRIPTION

FIG. 1 is a front, isometric view of the mounting bracket according to the present design;
FIG. 2 is a top view of the mounting bracket of FIG. 1;
FIG. 3 is a right side view of the mounting bracket of FIG. 1;
FIG. 4 is a left side view of the mounting bracket of FIG. 1;
FIG. 5 is a front view of the mounting bracket of FIG. 1;
FIG. 6 is a rear view of the mounting bracket of FIG. 1; and,
FIG. 7 is a bottom view of the mounting bracket of FIG. 1.

1 Claim, 7 Drawing Sheets



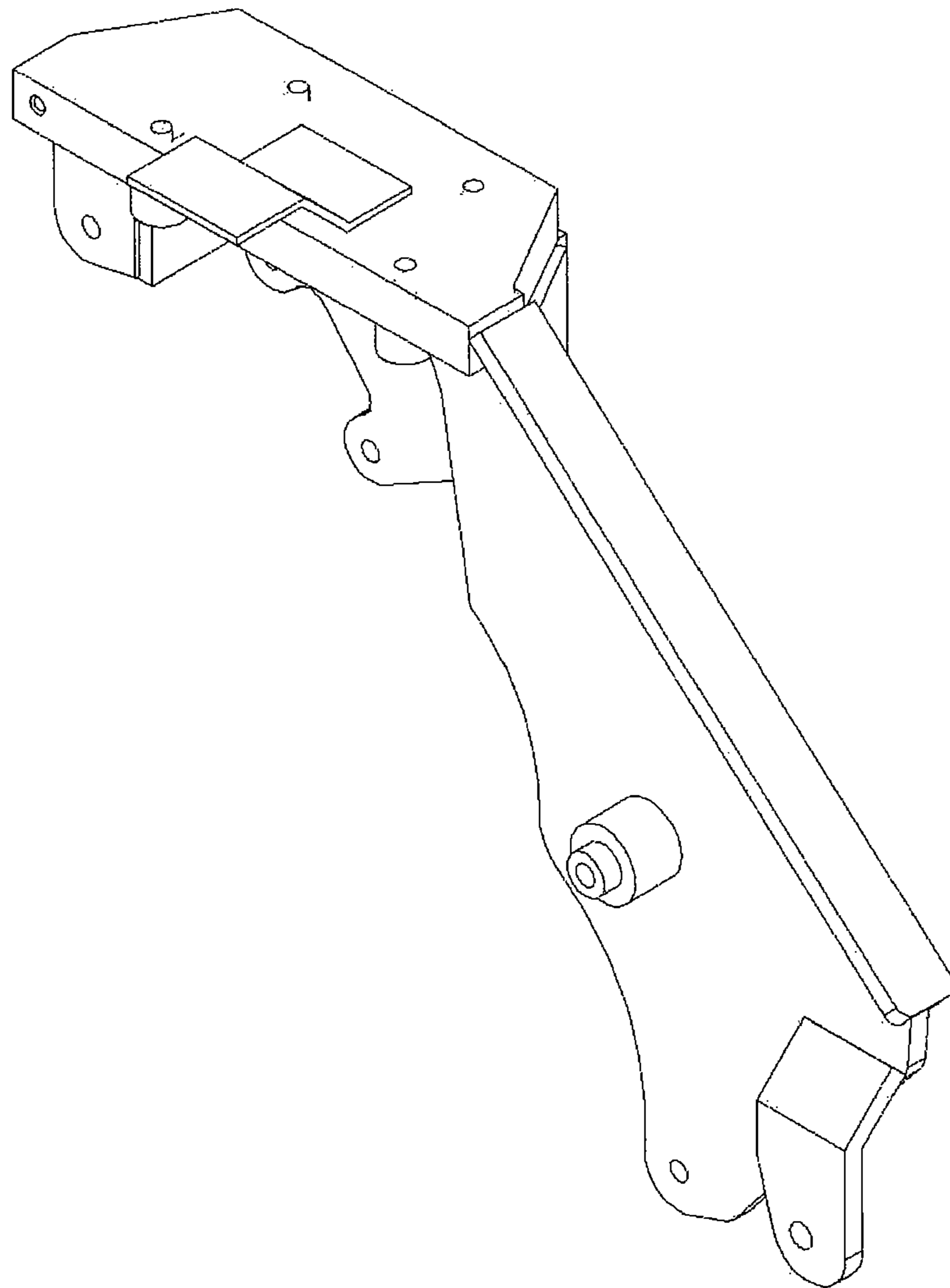


FIG. 1

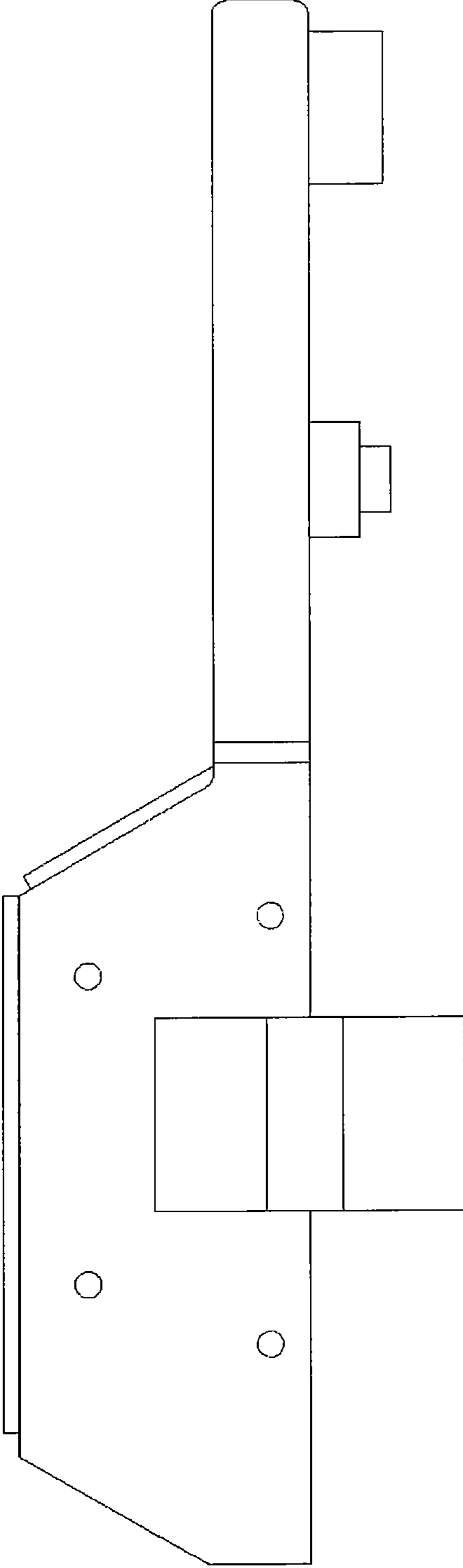


FIG. 2

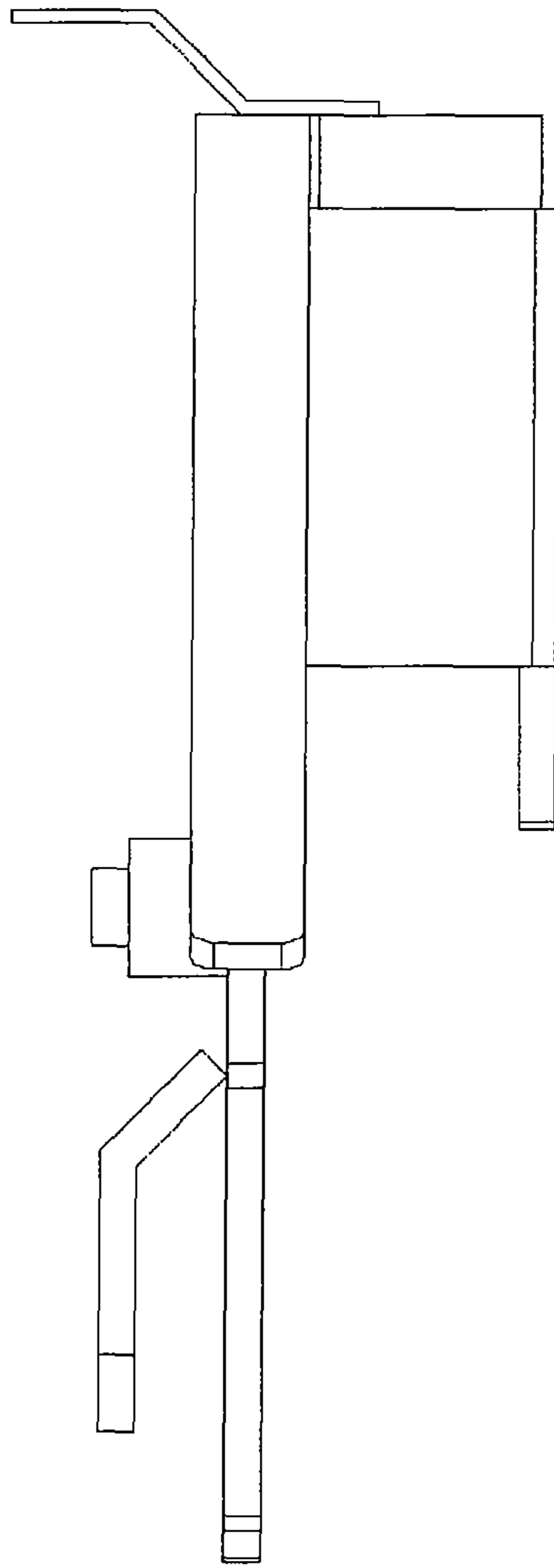


FIG. 3

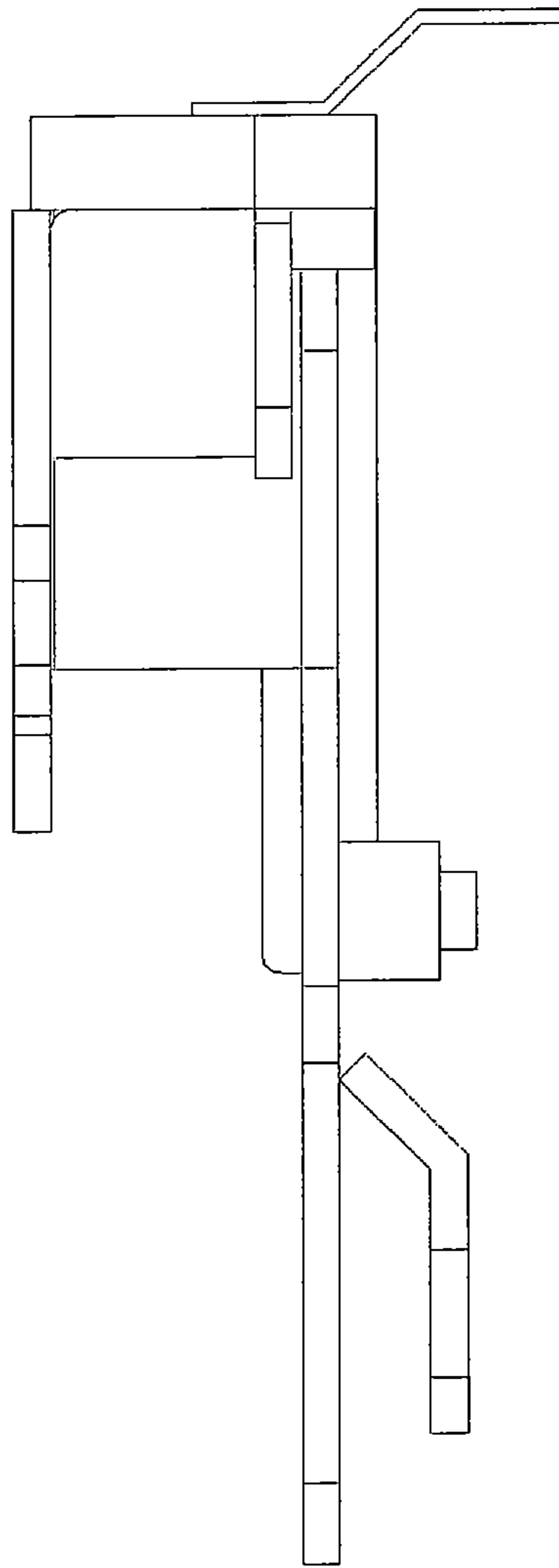


FIG. 4

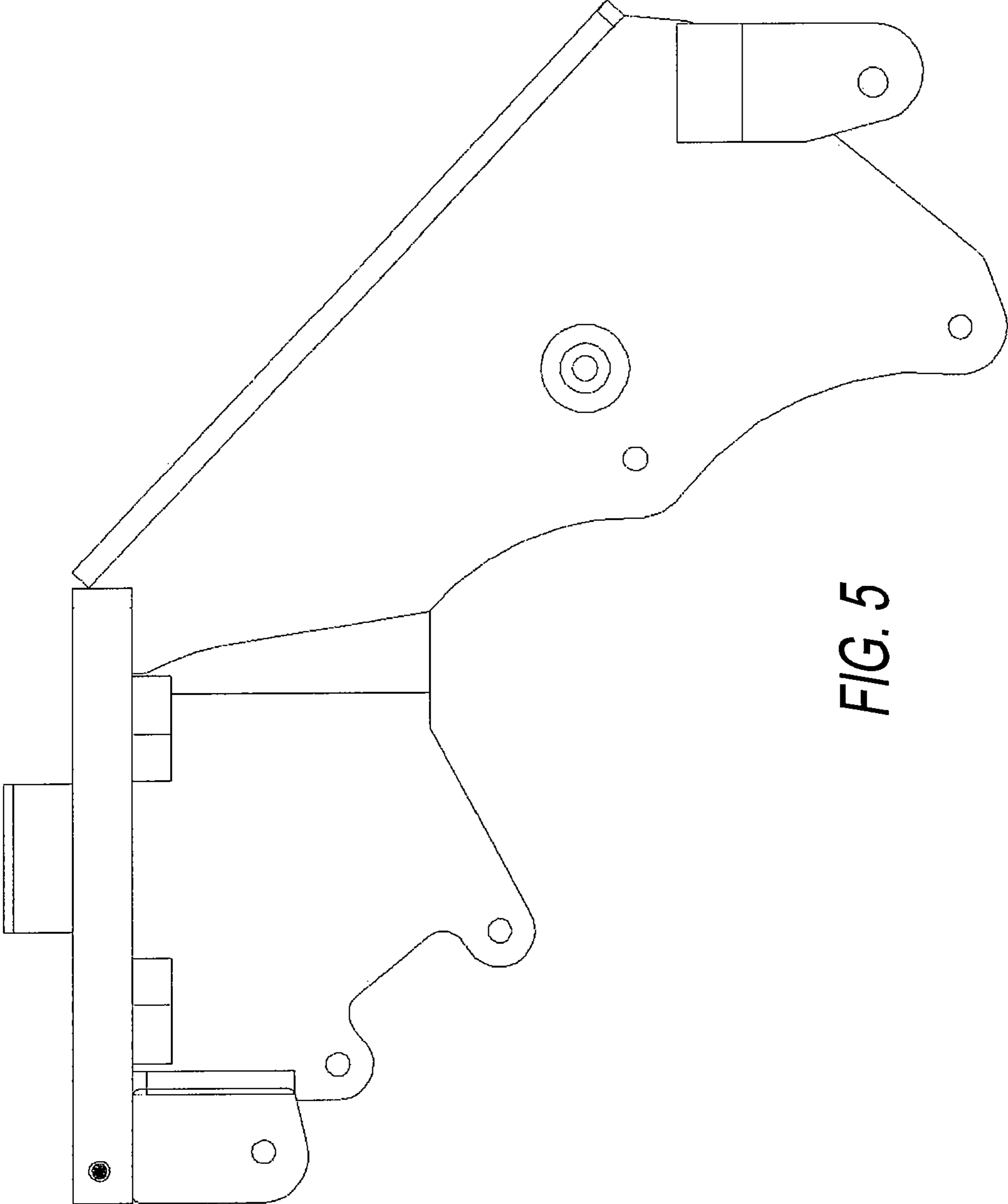


FIG. 5

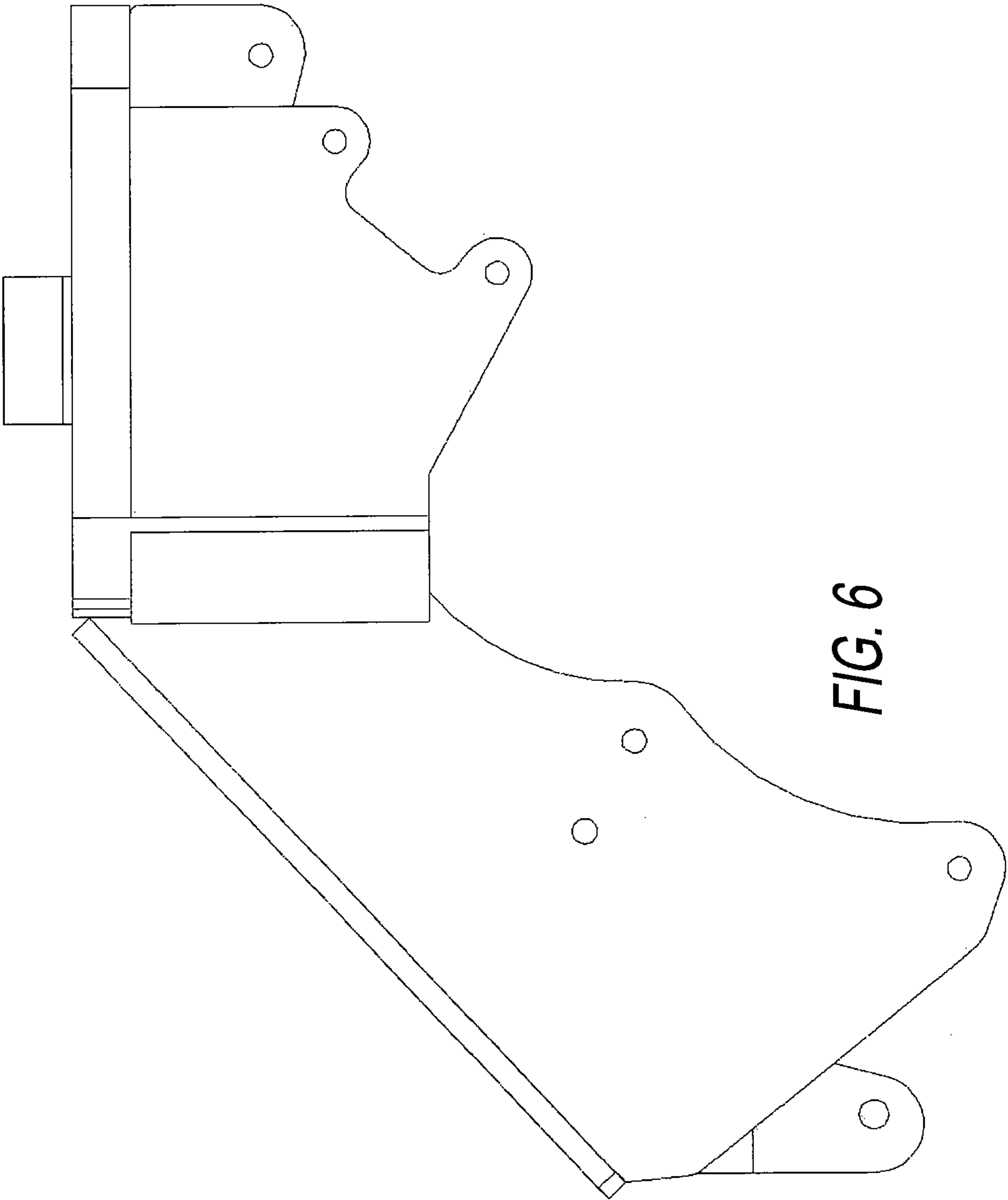


FIG. 6

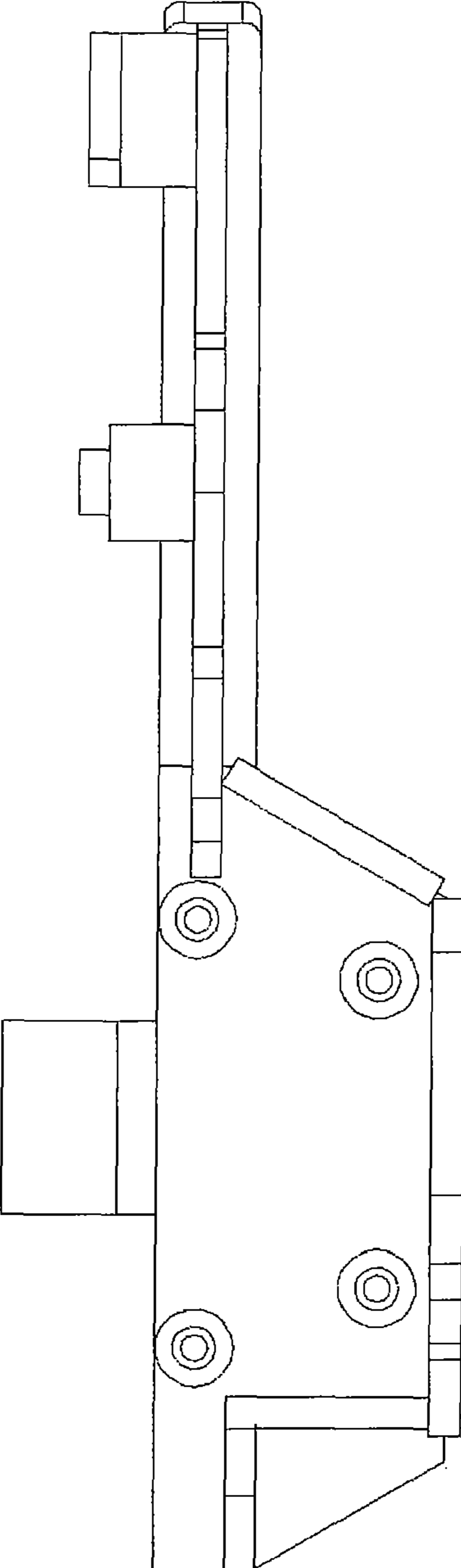


FIG. 7