



US00D691456S

(12) **United States Design Patent**
Watkins et al.

(10) **Patent No.:** **US D691,456 S**
(45) **Date of Patent:** **** Oct. 15, 2013**

(54) **HANDLE ASSEMBLY**

(75) Inventors: **Jerry M. Watkins**, Franklin, WI (US);
James P. Miller, Waukesha, WI (US);
Patrick S. Murray, Muskego, WI (US)

(73) Assignee: **Rockwell Automation Technologies, Inc.**, Mayfield Heights, OH (US)

(**) Term: **14 Years**

(21) Appl. No.: **29/426,238**

(22) Filed: **Jul. 2, 2012**

D138,322 S *	7/1944	Melichar	D8/305
D141,840 S *	7/1945	Stewart	D8/307
D146,269 S *	1/1947	Simpson	D8/311
D339,515 S *	9/1993	Formgren	D8/311
D444,049 S *	6/2001	Decosse	D8/311
D450,997 S *	11/2001	Brady	D8/311
D457,416 S *	5/2002	Caspersz	D8/311
D511,669 S *	11/2005	Miller	D8/300
D525,518 S *	7/2006	Baldwin	D8/310
D564,980 S *	3/2008	Browne et al.	D13/174
D612,705 S *	3/2010	Baker et al.	D8/311
D613,698 S *	4/2010	Radau	D13/169
D634,602 S *	3/2011	Bengtson	D8/311
D637,886 S *	5/2011	Bengtson	D8/311
D642,042 S *	7/2011	Kim et al.	D8/311
D651,458 S *	1/2012	Segers et al.	D7/402

* cited by examiner

Related U.S. Application Data

(63) Continuation of application No. 29/406,517, filed on Nov. 15, 2011, now abandoned.

(51) **LOC (9) Cl.** **08-06**

(52) **U.S. Cl.**
USPC **D8/311**

(58) **Field of Classification Search**
USPC D8/300-303, 305-312, DIG. 2, 314, D8/319, 316, 313, 315, 317, 318; D7/402, D7/405, 393; D6/518-524, 546-550; 74/553, 74/548, 558.5; 116/309, 315, 311, 312, 319, 116/320; 200/316, 336; 108/28, 29; 211/13.1, 211/16, 85.5, 86.01, 87.01, 88.04, 100, 105.1, 211/105.2, 106, 113, 123, 181.1, 182-183; 248/49, 175, 176.1, 200, 201, 205.1, 251, 248/302, 309.1, 315; 242/570, 590, 595-598
See application file for complete search history.

(56) **References Cited**

U.S. PATENT DOCUMENTS

D132,433 S *	5/1942	Pellegrin	D8/311
D134,832 S *	1/1943	Stevens	D13/169

Primary Examiner — Mark Goodwin

(74) *Attorney, Agent, or Firm* — William R. Walbrun; Viksnins Harris & Padys PLLP; John M. Miller

(57) **CLAIM**

The ornamental design for a handle assembly, as shown and described.

DESCRIPTION

FIG. 1 is a perspective view of a handle assembly showing our new design.

FIG. 2 is a front elevational view thereof.

FIG. 3 is a top plan view thereof.

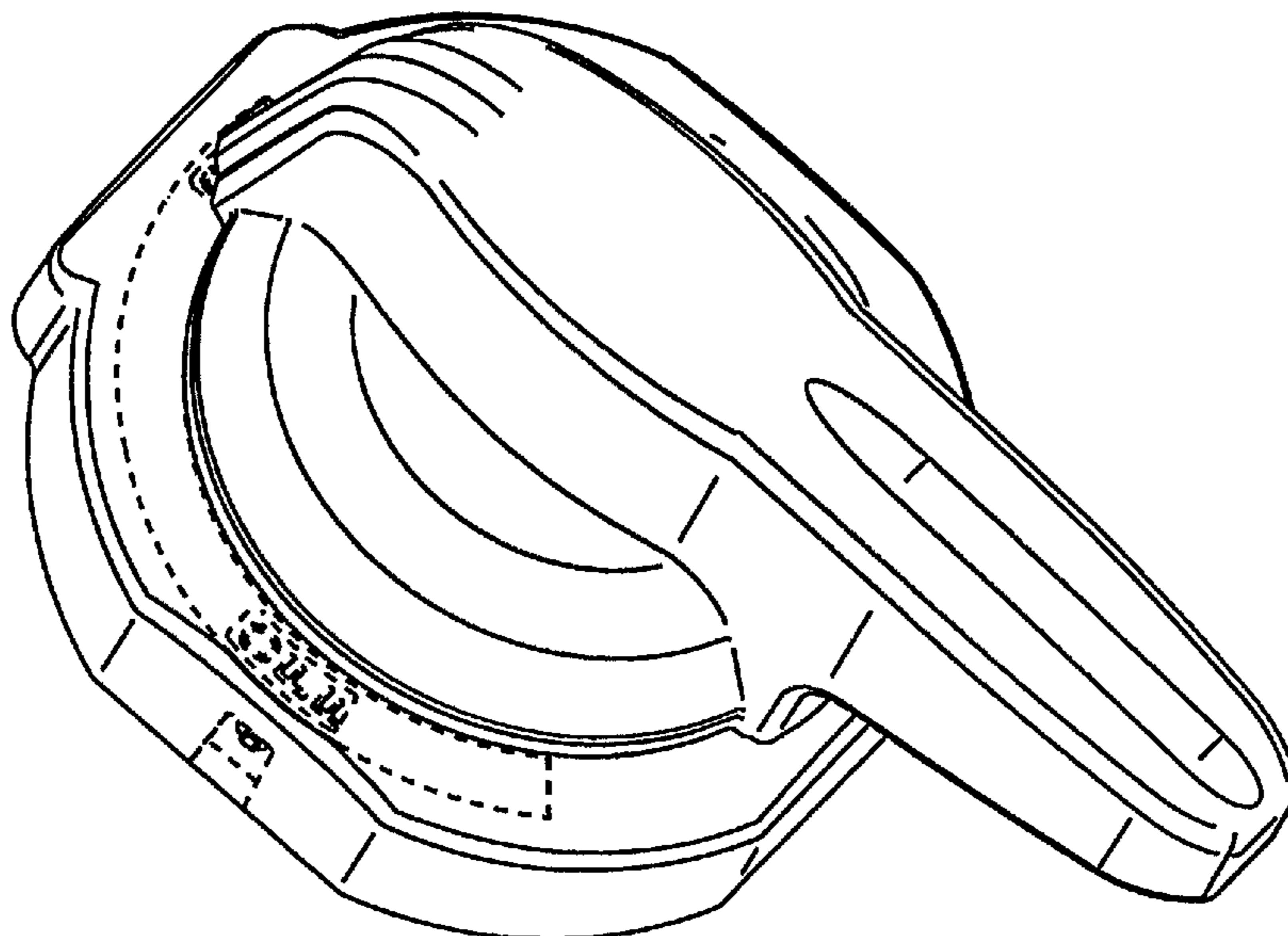
FIG. 4 is a bottom plan view thereof.

FIG. 5 is a first side view thereof; and,

FIG. 6 is a second side view thereof.

The broken lines are shown in the views for illustrative purposes only, for form no part of the claimed design. The back elevational view does not form part of the claimed design.

1 Claim, 6 Drawing Sheets



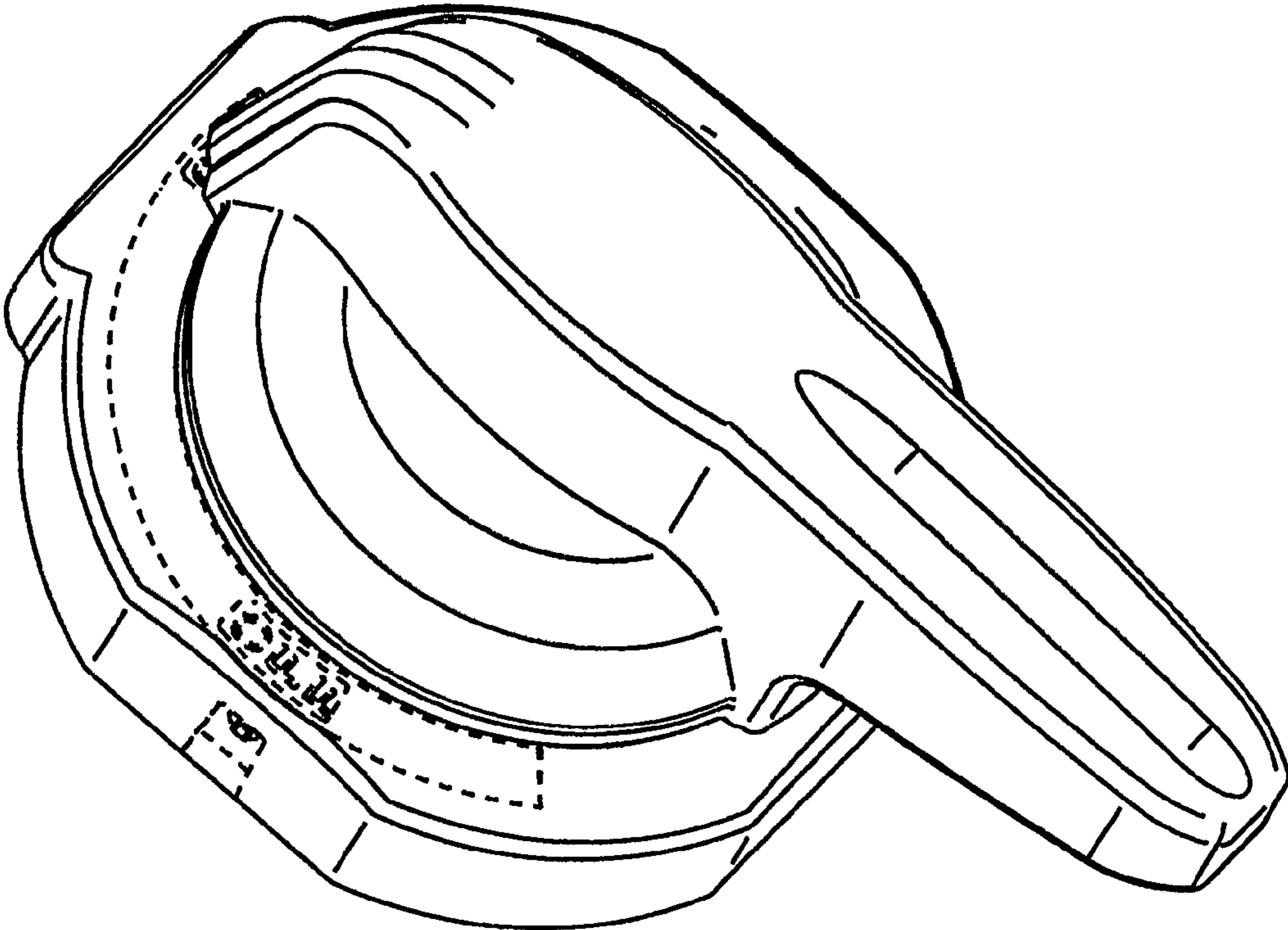


FIG. 1

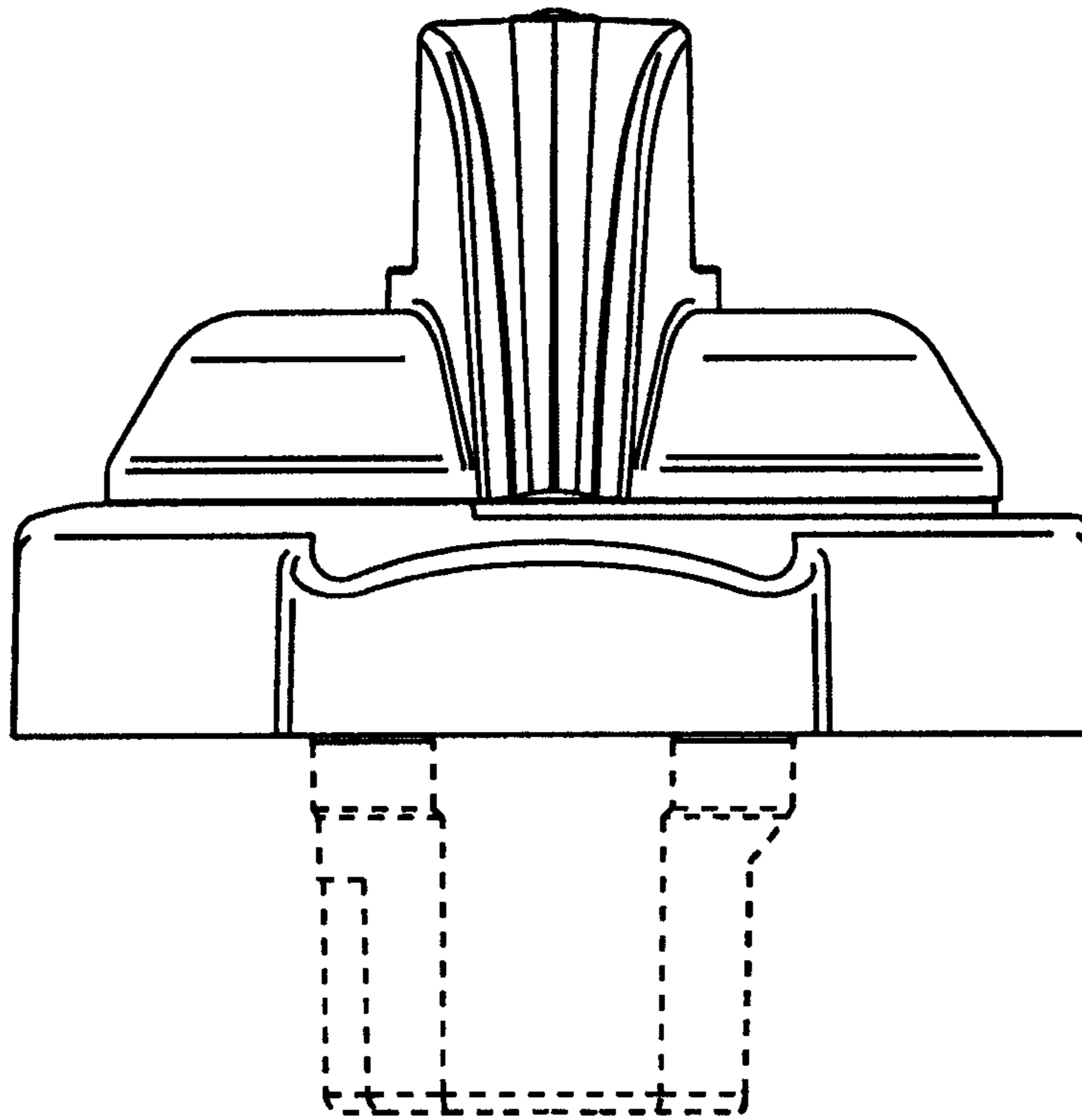


FIG. 2

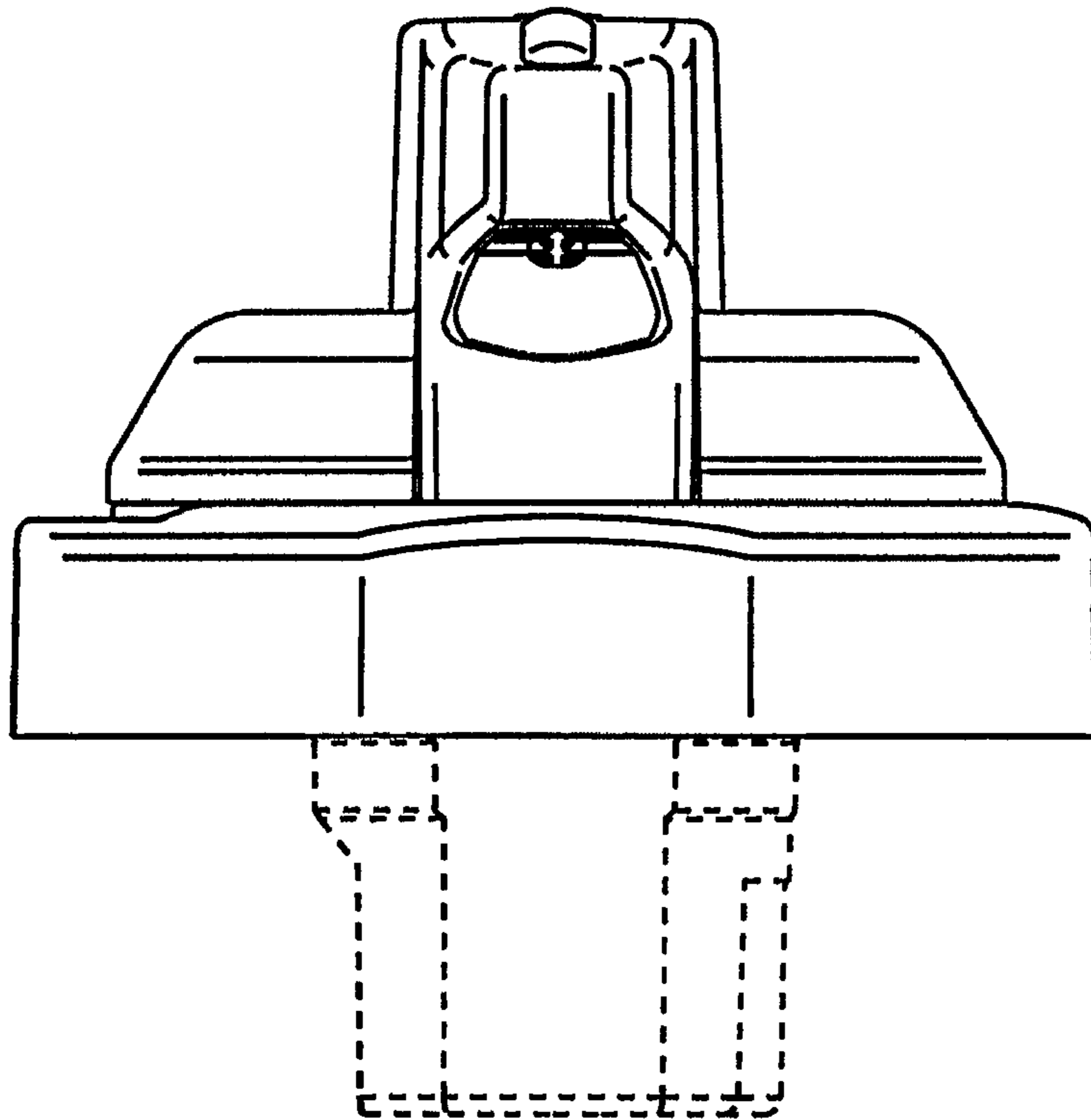


FIG. 3

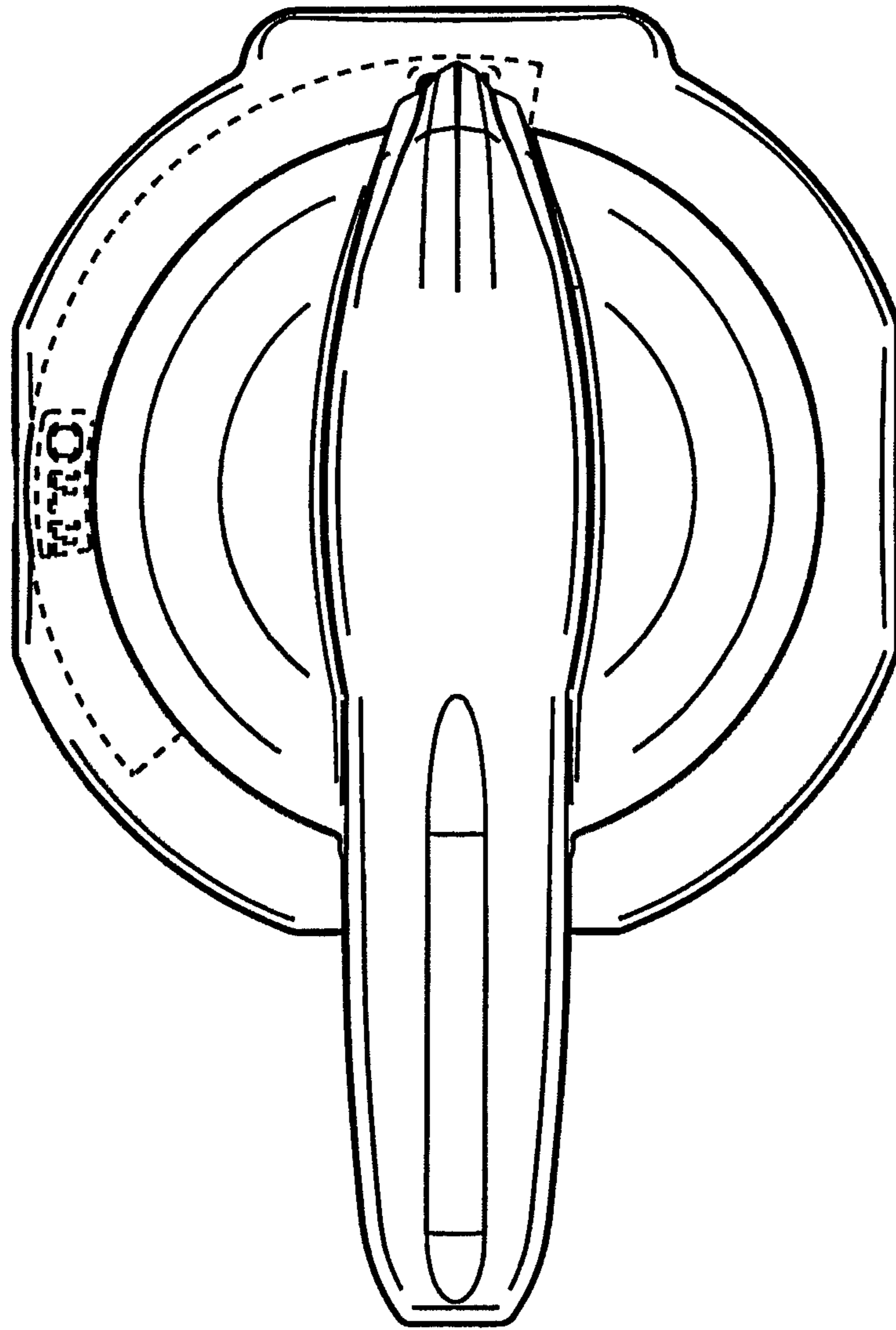


FIG. 4

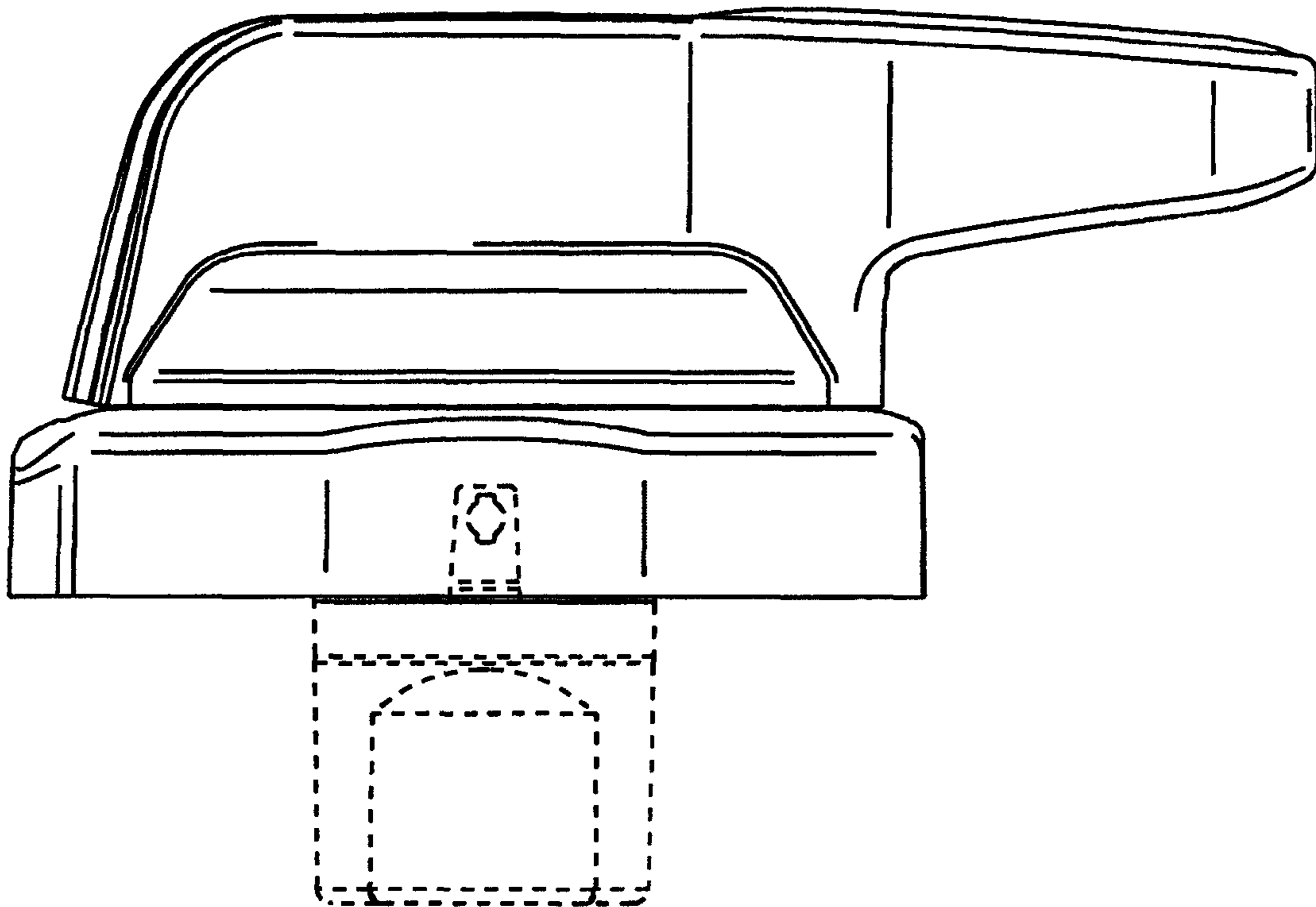


FIG. 5

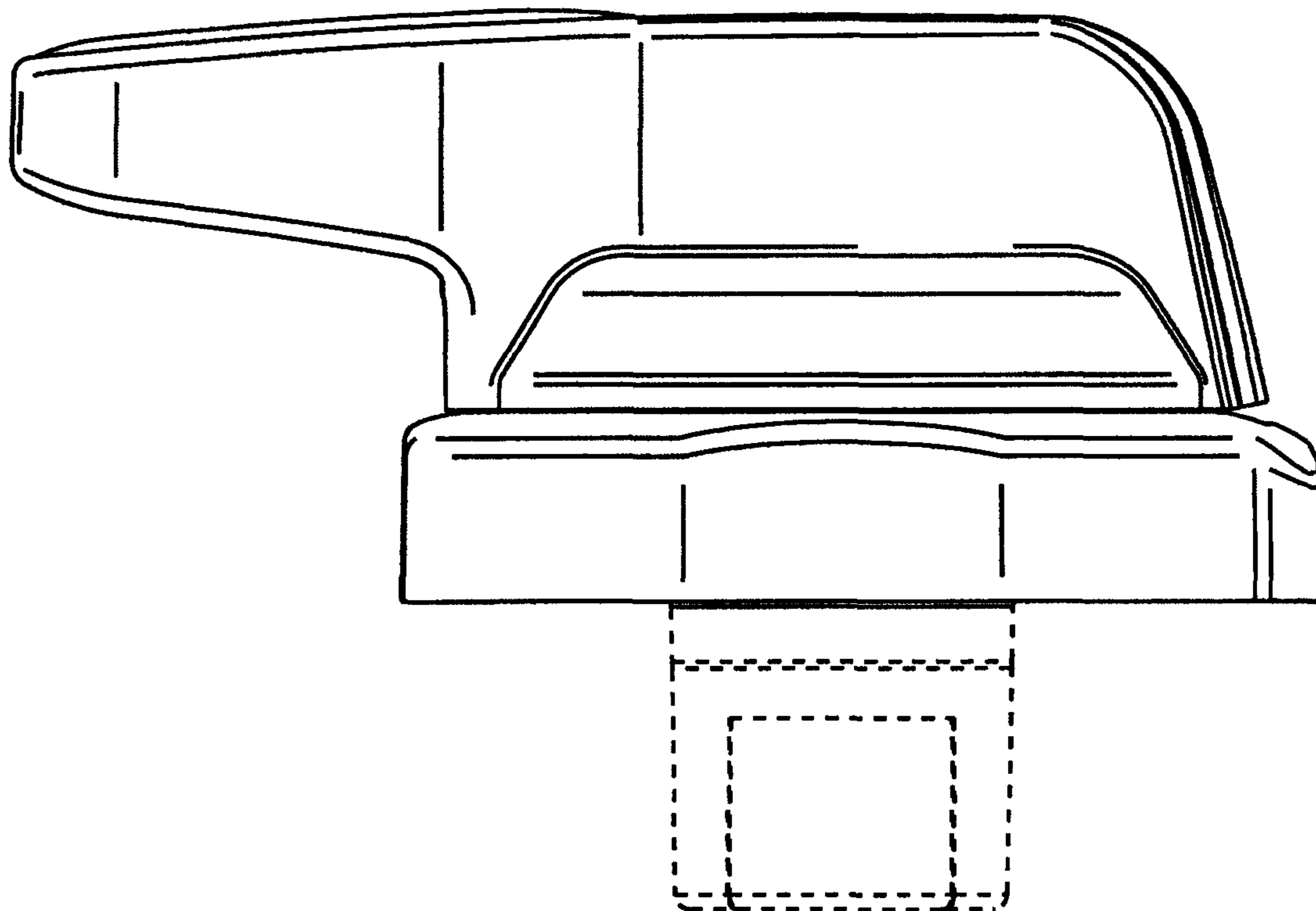


FIG. 6