



US00D691454S

(12) **United States Design Patent**  
**Weathersby et al.**

(10) **Patent No.:** **US D691,454 S**  
(45) **Date of Patent:** **\*\* Oct. 15, 2013**

(54) **DOORKNOB ASSEMBLY**

(71) Applicant: **Hampton Products International Corporation**, Foothill Ranch, CA (US)

(72) Inventors: **Steven T. Weathersby**, Lake Forest, CA (US); **John Kiechel**, Oakland, CA (US); **Sean Murphy**, San Francisco, CA (US); **Nasahn Adam Sheppard**, Mill Valley, CA (US); **James Sloss**, Cambridge, MA (US); **Andy Ward**, San Francisco, CA (US)

(73) Assignee: **Hampton Products International Corporation**, Foothill Ranch, CA (US)

(\*\*) Term: **14 Years**

(21) Appl. No.: **29/434,315**

(22) Filed: **Oct. 11, 2012**

(51) **LOC (9) Cl.** ..... **08-06**

(52) **U.S. Cl.**  
USPC ..... **D8/310**

(58) **Field of Classification Search**  
USPC ..... D8/300, 301, 310, 343, 350, DIG. 2; 292/347, 337, 357; 16/110.1, 412, 414, 16/417, 430, 433, 441, 442, DIG. 30  
See application file for complete search history.

(56) **References Cited**

**U.S. PATENT DOCUMENTS**

337,093	A *	3/1886	Thistle	292/347
1,653,513	A *	12/1927	Schlage	292/357
1,799,253	A *	4/1931	Rogers	292/350
1,996,357	A *	4/1935	Voight	292/347
2,082,351	A *	6/1937	Moore	70/224
2,094,982	A *	10/1937	Gerard	292/347
2,517,803	A *	8/1950	Seaholm	292/347
2,688,181	A *	9/1954	Livermont et al.	428/583
D176,713	S *	1/1956	Ellis	D8/310

D179,220	S *	11/1956	Russell	D8/310
D179,458	S *	12/1956	Ohno	D8/310
D179,679	S *	2/1957	Ellis	D8/310
2,797,950	A *	7/1957	Michael	292/347
D180,818	S *	8/1957	Clayton	D8/310
2,812,967	A *	11/1957	Falk	292/347
2,967,728	A *	1/1961	Falk	292/347
2,976,073	A *	3/1961	Russell et al.	292/352
2,993,720	A *	7/1961	Russell	292/347
3,012,808	A *	12/1961	Zion	292/347
3,017,213	A *	1/1962	Kendrick	292/357
3,096,115	A *	7/1963	Patriquin et al.	292/347
3,125,877	A *	3/1964	Fryer	70/224
3,149,871	A *	9/1964	Russell et al.	292/352

(Continued)

*Primary Examiner* — Paula Greene

(74) *Attorney, Agent, or Firm* — Klein, O'Neill & Singh, LLP

(57) **CLAIM**

The ornamental design for a doorknob assembly, as shown and described.

**DESCRIPTION**

FIG. 1 is a perspective view, taken from the front, top, and right side, of a doorknob assembly, in accordance with my new design;

FIG. 2 is a front elevational view of the doorknob assembly shown in FIG. 1;

FIG. 3 is a left side elevational view of the doorknob assembly shown in FIG. 1;

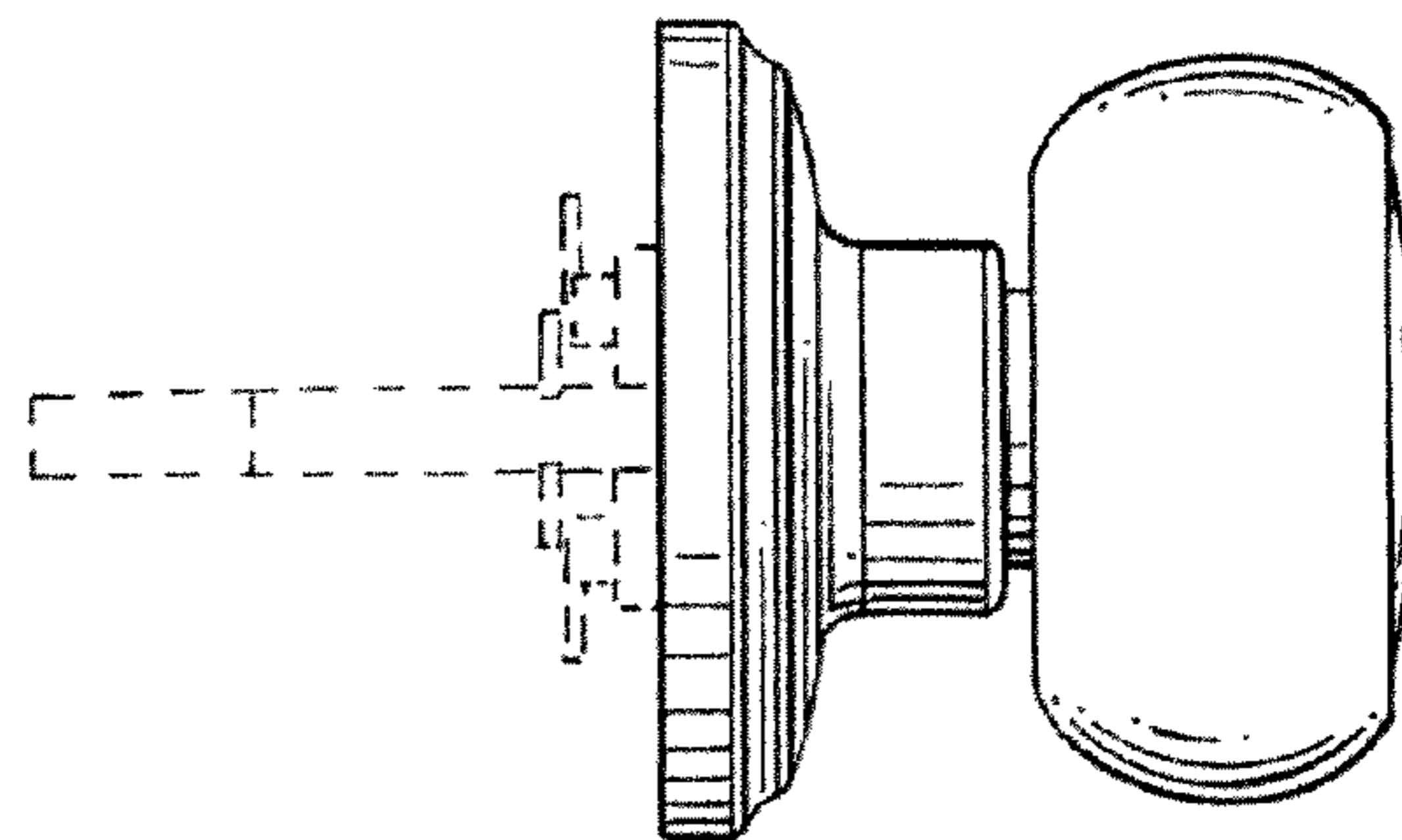
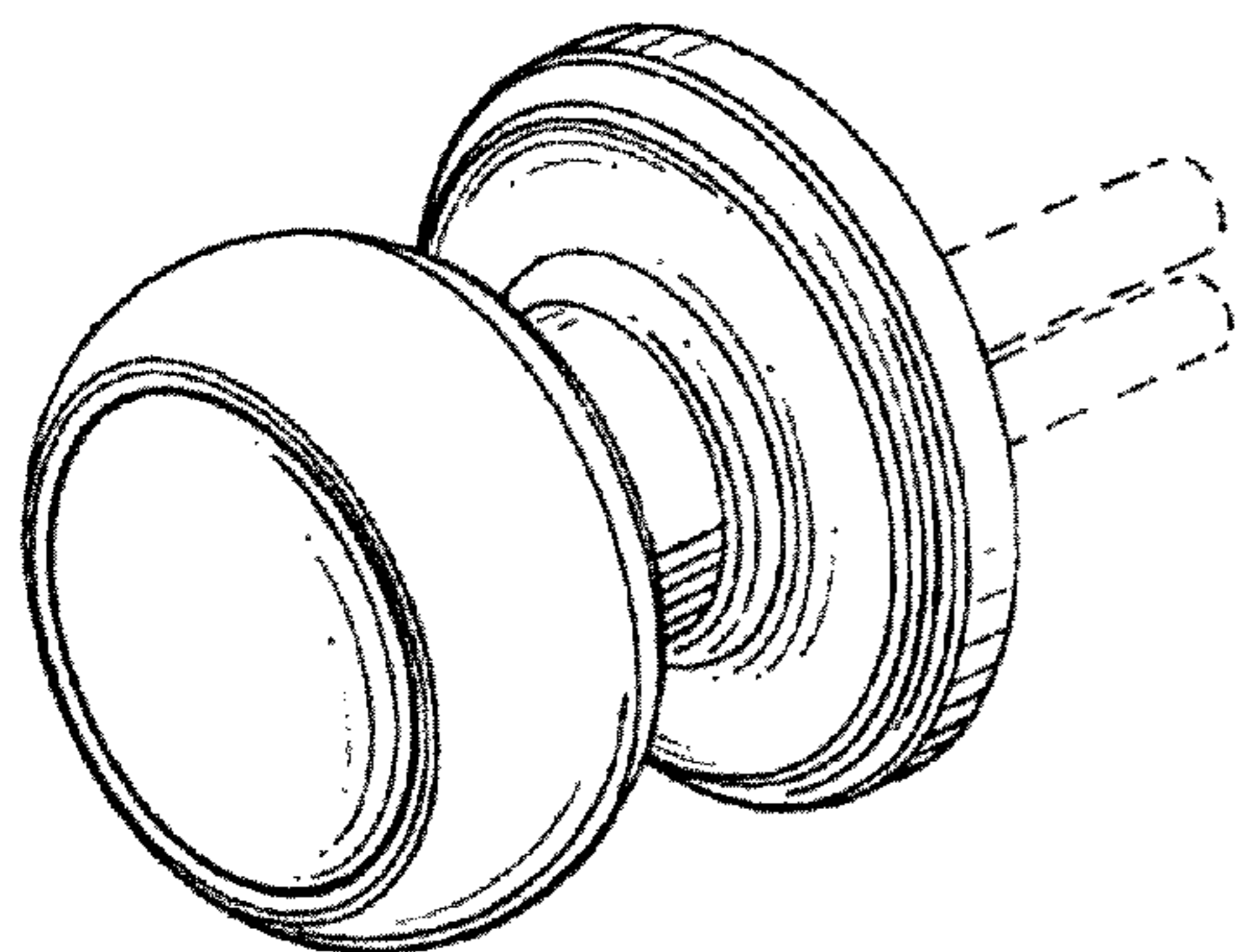
FIG. 4 is a right side elevational view of the doorknob assembly shown in FIG. 1;

FIG. 5 is a top plan view of the doorknob assembly shown in FIG. 1, the bottom plan view being identical thereto; and,

FIG. 6 is a rear elevational view of the doorknob assembly shown in FIG. 1.

The broken lines illustrate environmental structure which forms no part of the claimed design.

**1 Claim, 2 Drawing Sheets**



# US D691,454 S

Page 2

---

(56)

## References Cited

### U.S. PATENT DOCUMENTS

D225,393 S \* 12/1972 Giandonmenico ..... D8/310  
D427,291 S \* 6/2000 Milrud et al. .... D23/254  
D454,049 S \* 3/2002 LaPlume et al. .... D8/301

D493,686 S \* 8/2004 Fields ..... D8/310  
D542,115 S \* 5/2007 Hanna et al. .... D8/310  
D565,385 S \* 4/2008 Jou ..... D8/307  
D592,484 S \* 5/2009 Ricereto ..... D8/310

\* cited by examiner

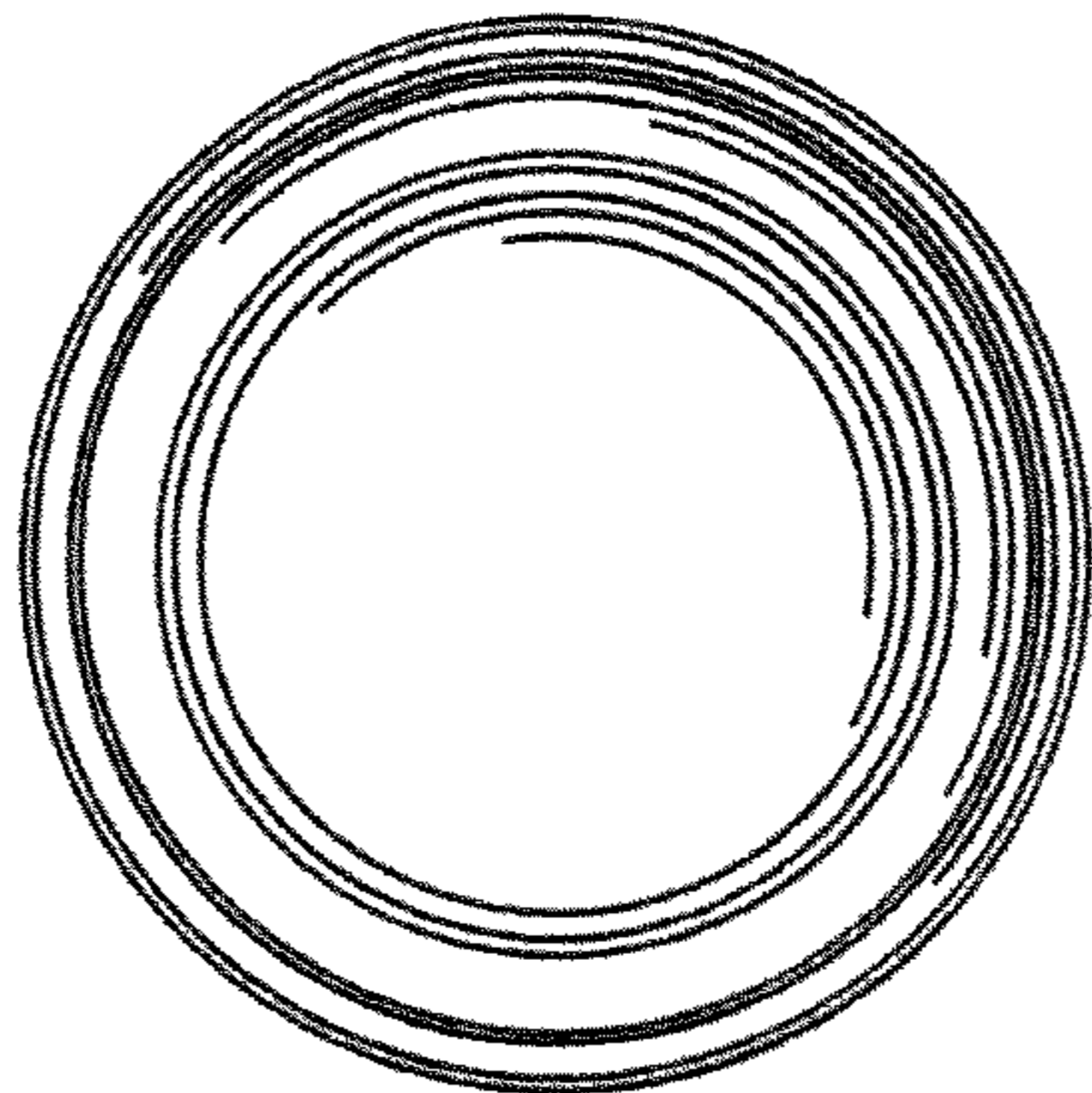


FIG. 2

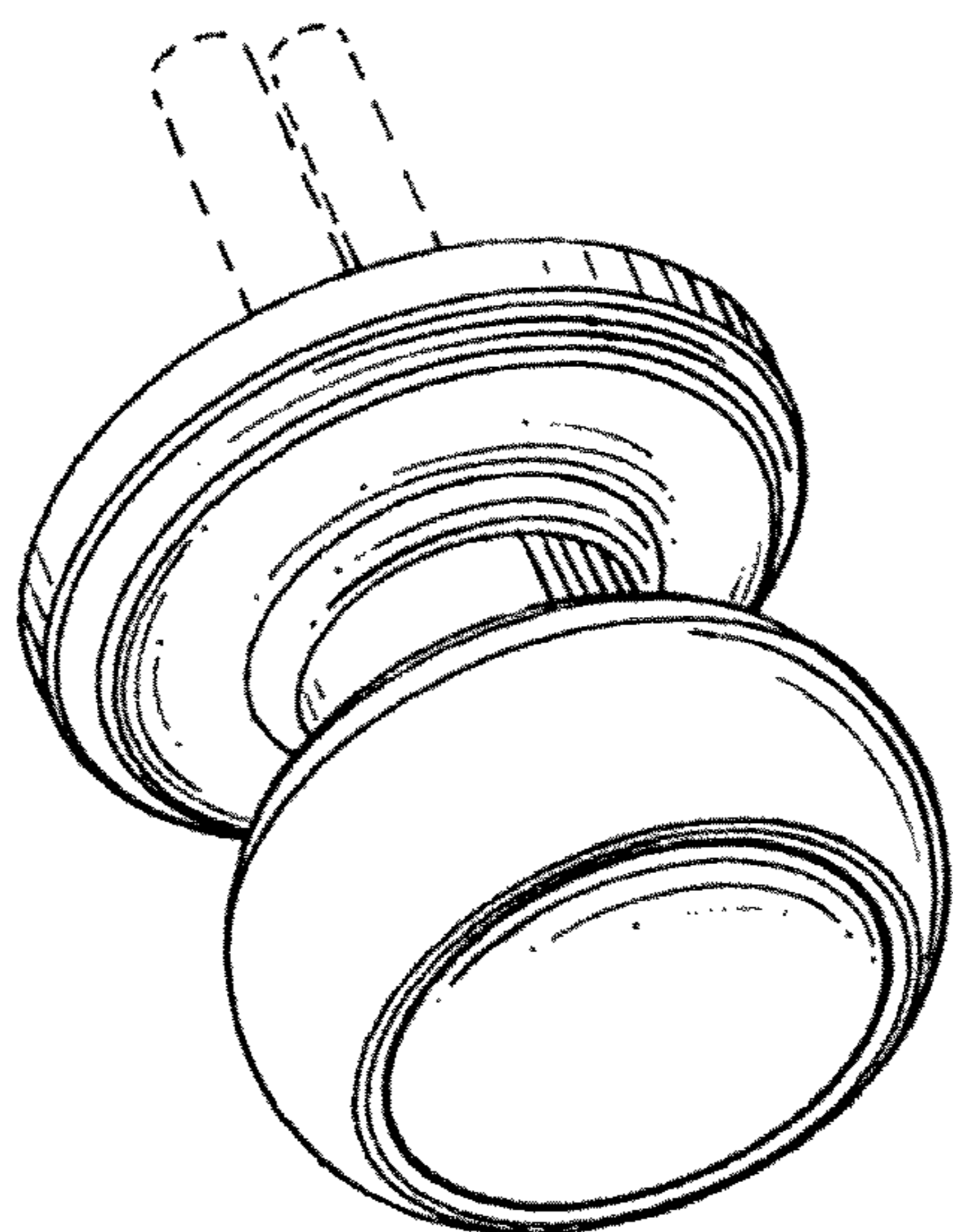


FIG. 1

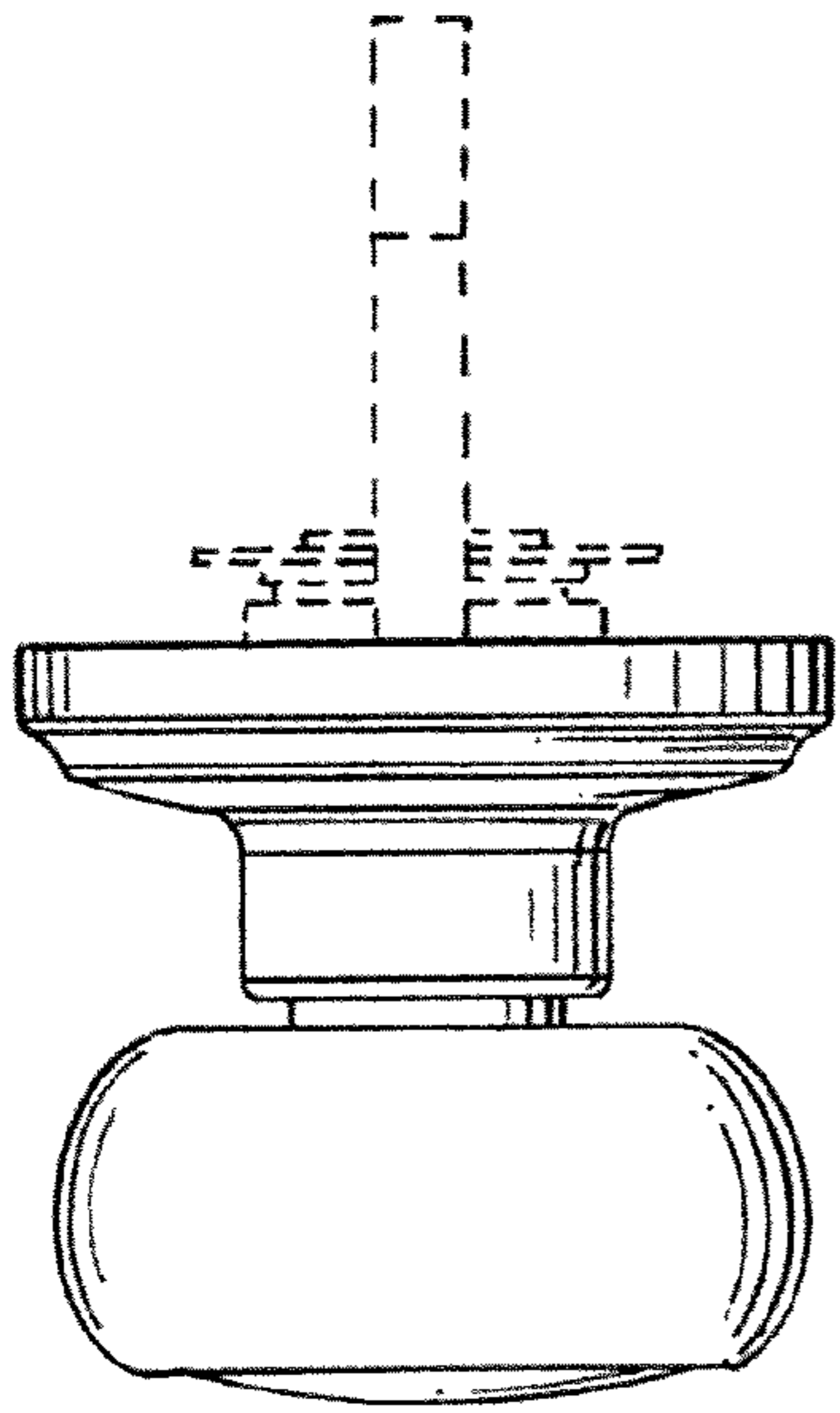


FIG. 4

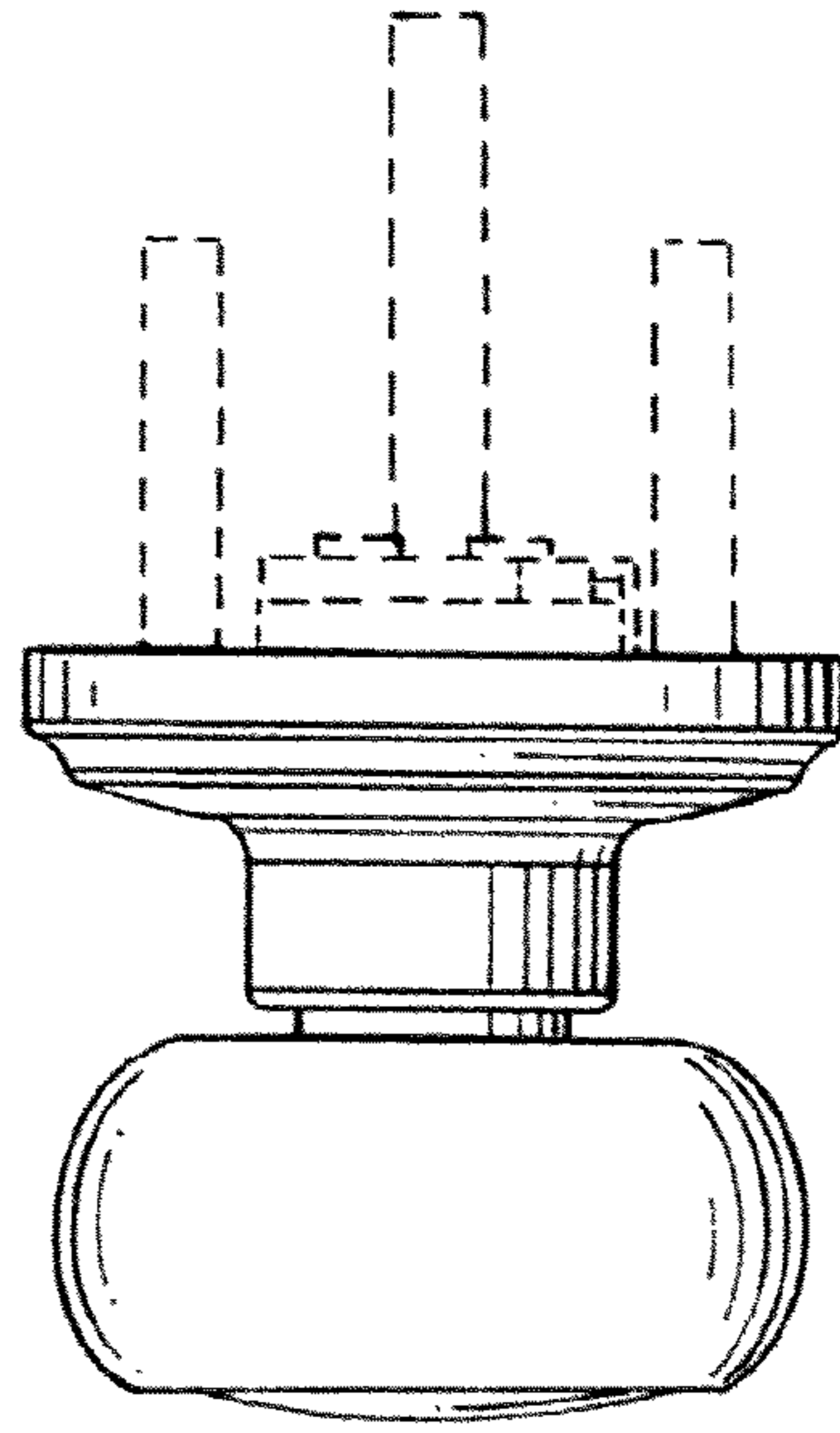


FIG. 5

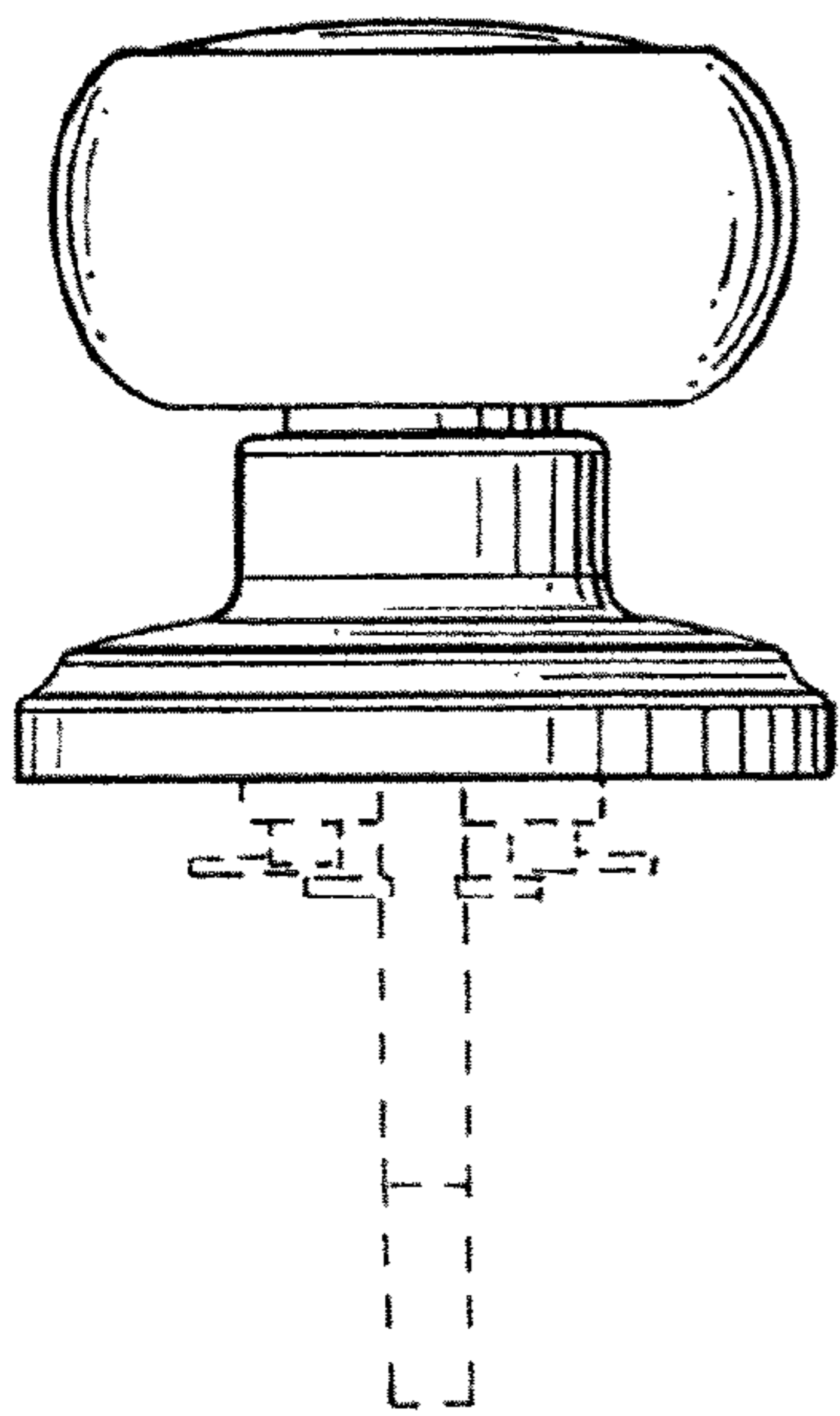


FIG. 3

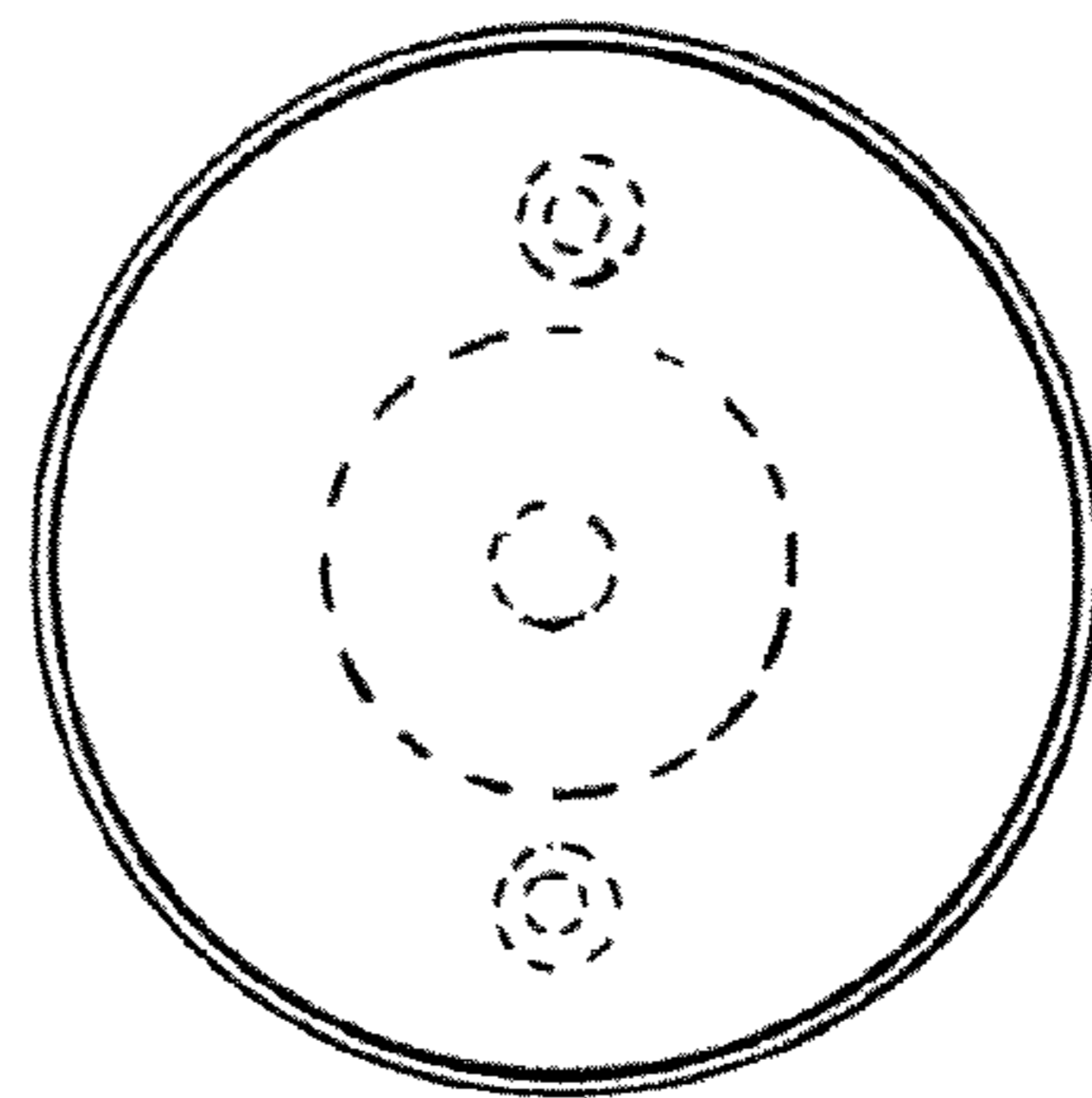


FIG. 6