



US00D691453S

(12) **United States Design Patent**
Stuckey et al.

(10) **Patent No.:** **US D691,453 S**
(45) **Date of Patent:** **** Oct. 15, 2013**

- (54) **HANDLE**
- (71) Applicant: **David Stuckey Investments Pty Ltd**,
Melbourne (AU)
- (72) Inventors: **David Martin Stuckey**, Hawthorn (AU);
Marc Fraser, Doncaster East (AU)
- (73) Assignee: **David Stuckey Investments Pty Ltd**,
Melbourne (AU)
- (**) Term: **14 Years**
- (21) Appl. No.: **29/435,696**
- (22) Filed: **Oct. 26, 2012**
- (30) **Foreign Application Priority Data**
May 1, 2012 (AU) 12138/2012
- (51) **LOC (9) Cl.** **08-06**
- (52) **U.S. Cl.**
USPC **D8/302**
- (58) **Field of Classification Search**
USPC D8/300, 301, 302, 303, 306, 316, 320,
D8/321, 331, 338, DIG. 1, DIG. 2;
16/110.1, 412; 292/7, 336.3, 347,
292/DIG. 30, DIG. 31; 70/207, 208, 210,
70/224, 462
See application file for complete search history.

- (56) **References Cited**
U.S. PATENT DOCUMENTS
D209,323 S 11/1967 Constable
D230,566 S 3/1974 Harrell
5,301,989 A * 4/1994 Dallmann et al. 292/142
5,408,853 A 4/1995 Yamada
5,685,181 A 11/1997 Ramsauer
5,722,269 A 3/1998 Simon et al.
5,862,690 A 1/1999 Jancsek
6,029,498 A 2/2000 Walters et al.

6,068,308 A	5/2000	Molzer	
6,174,007 B1 *	1/2001	Schlack et al.	292/336.3
6,318,770 B1	11/2001	Molzer	
6,363,577 B1	4/2002	Spitzley	
6,363,761 B1	4/2002	Sauerland	
6,494,509 B2	12/2002	Molzer	
6,527,307 B2	3/2003	Welsh et al.	
6,662,605 B2	12/2003	Molzer	
D520,329 S	5/2006	Schlack et al.	
7,152,893 B2 *	12/2006	Pudney	292/336.3
7,159,909 B1 *	1/2007	Hung	292/336.3
D565,924 S	4/2008	Hoshimoto	
7,431,357 B2	10/2008	Pudney	
D585,264 S *	1/2009	Stuckey	D8/321
D593,397 S *	6/2009	Stuckey	D8/321
7,667,335 B2	2/2010	Lin et al.	
D629,276 S	12/2010	Chelton	
7,861,563 B2	1/2011	Antonucci	
D634,180 S	3/2011	Stuckey	
8,042,845 B2	10/2011	Tanimoto et al.	
D649,003 S	11/2011	Stuckey	
D649,014 S	11/2011	Stuckey	

(Continued)

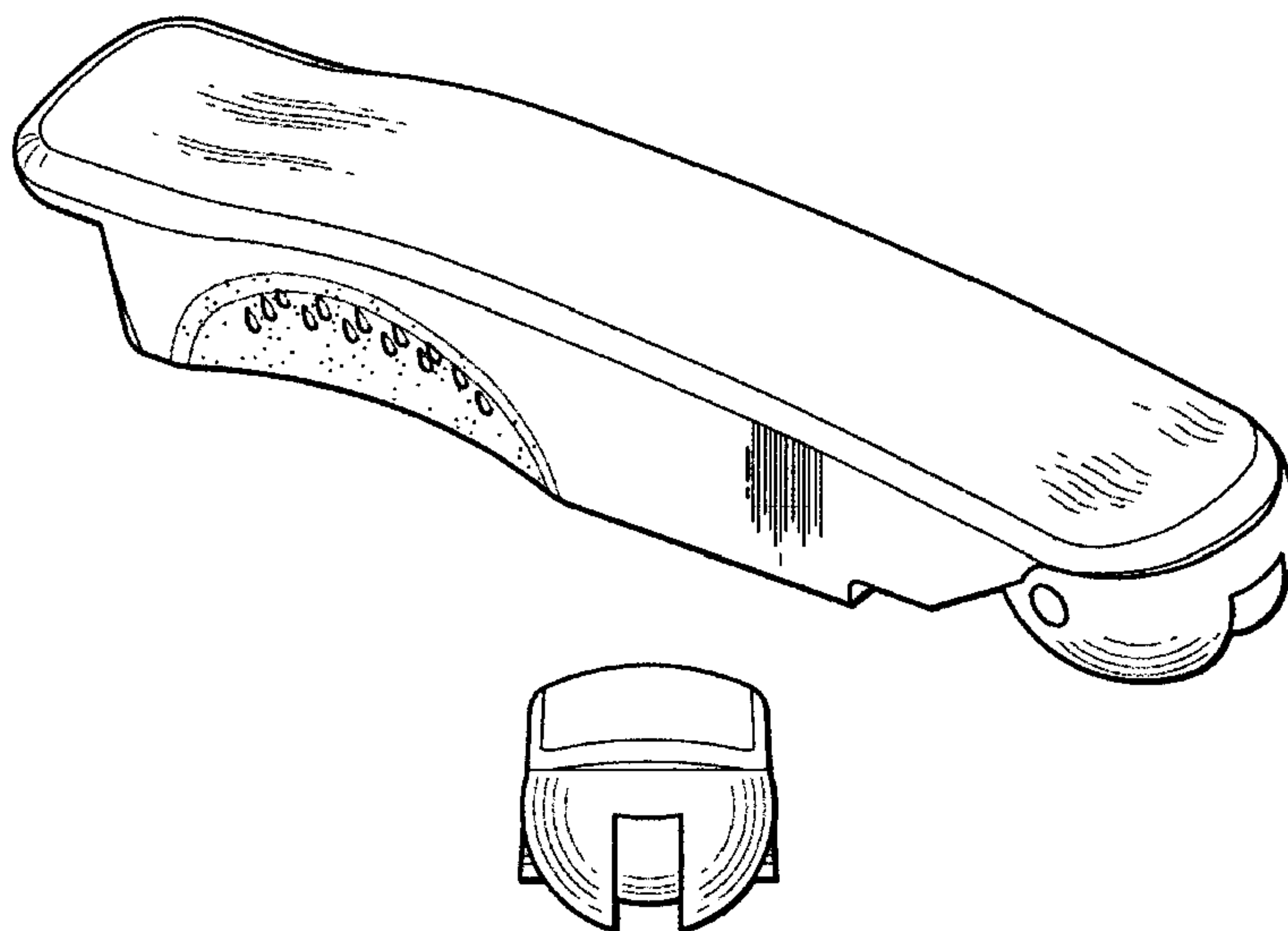
Primary Examiner — Paula Greene
(74) *Attorney, Agent, or Firm* — Dunlap Coddling P.C.

(57) **CLAIM**
The ornamental design for a handle, as shown and described.

DESCRIPTION

FIG. 1 is a top perspective view of a handle showing our new design.
FIG. 2 is a bottom perspective view thereof.
FIG. 3 is an end view thereof.
FIG. 4 is an end view thereof.
FIG. 5 is a bottom plan view thereof.
FIG. 6 is a right side view thereof.
FIG. 7 is a top plan view thereof; and,
FIG. 8 is a left side view thereof.
Background features may be shown in broken lines for illustrative purposes only and form no part of the claimed design.

1 Claim, 2 Drawing Sheets



US D691,453 S

Page 2

(56)

References Cited

8,176,758 B2 * 5/2012 Ramsauer et al. 70/208
D679,166 S * 4/2013 Stuckey et al. D8/302

U.S. PATENT DOCUMENTS

D660,127 S 5/2012 Stuckey et al.

* cited by examiner

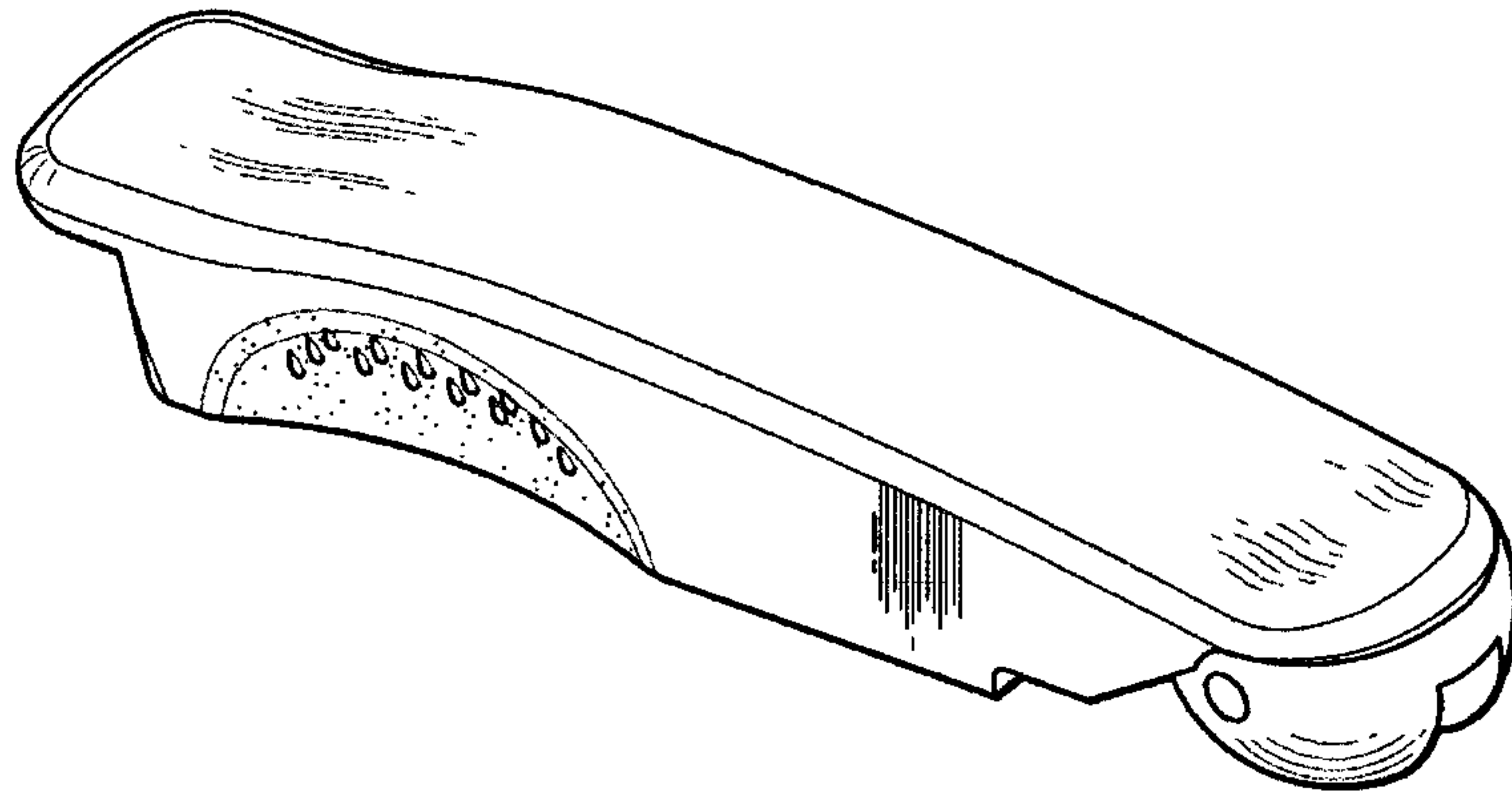


FIG. 1

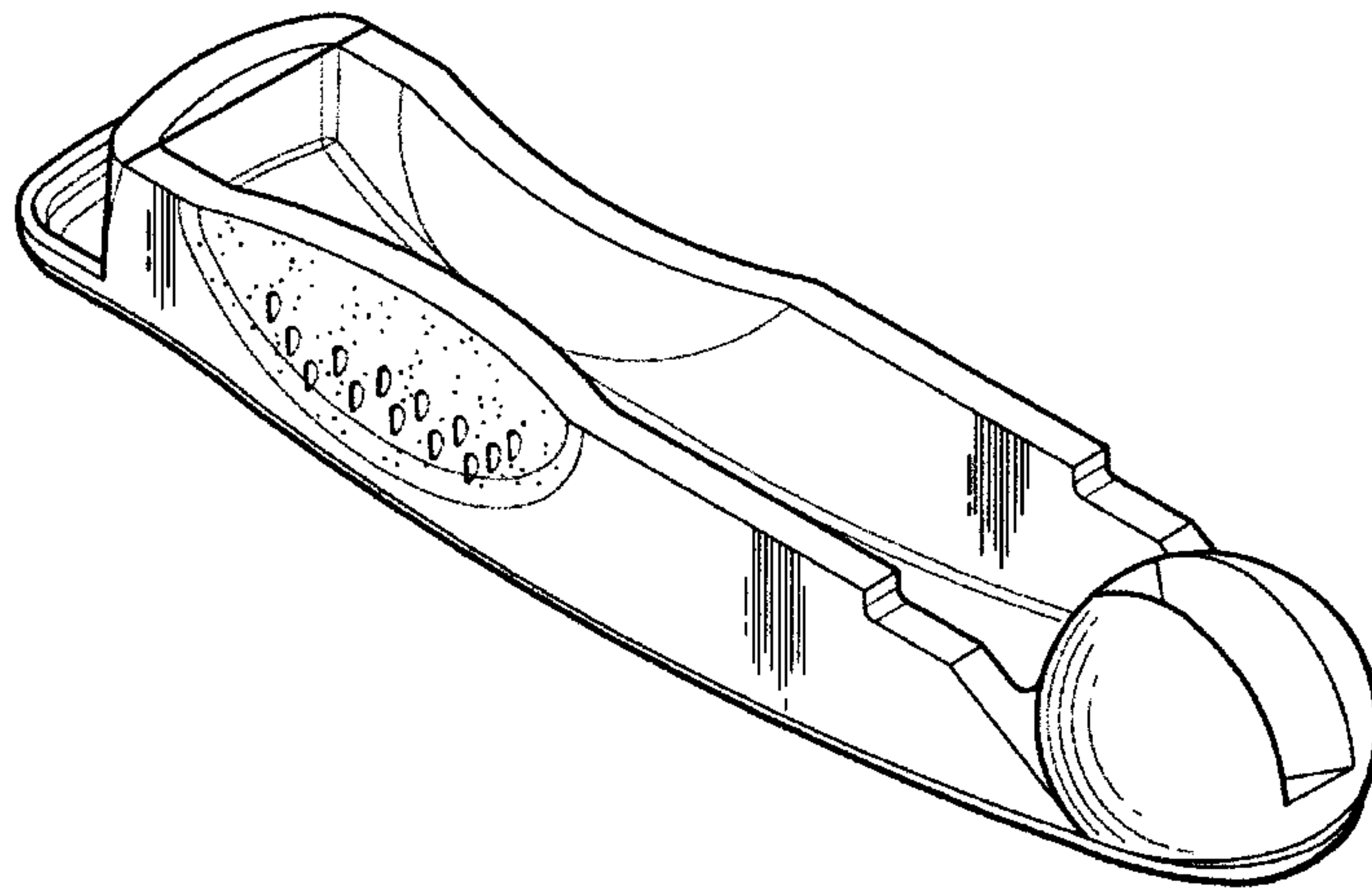


FIG. 2

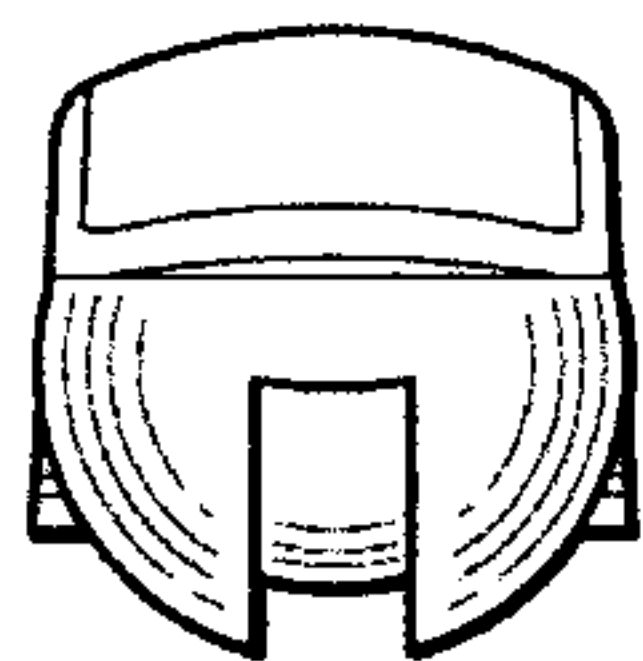


FIG. 3

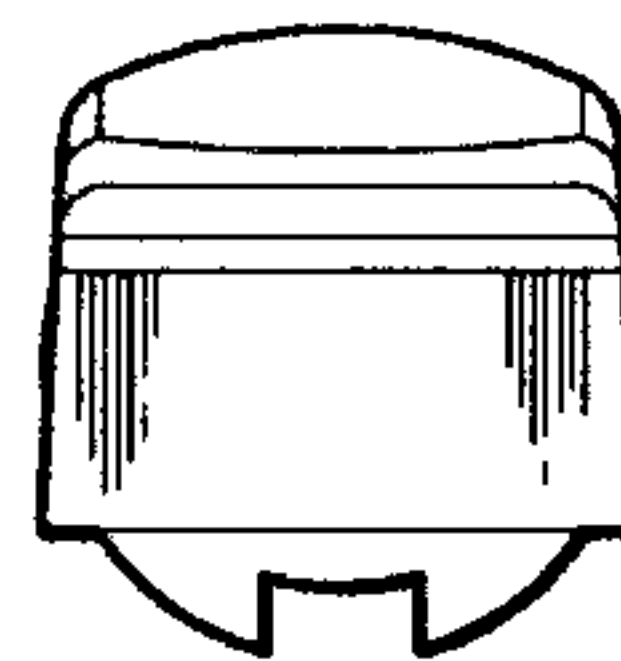


FIG. 4

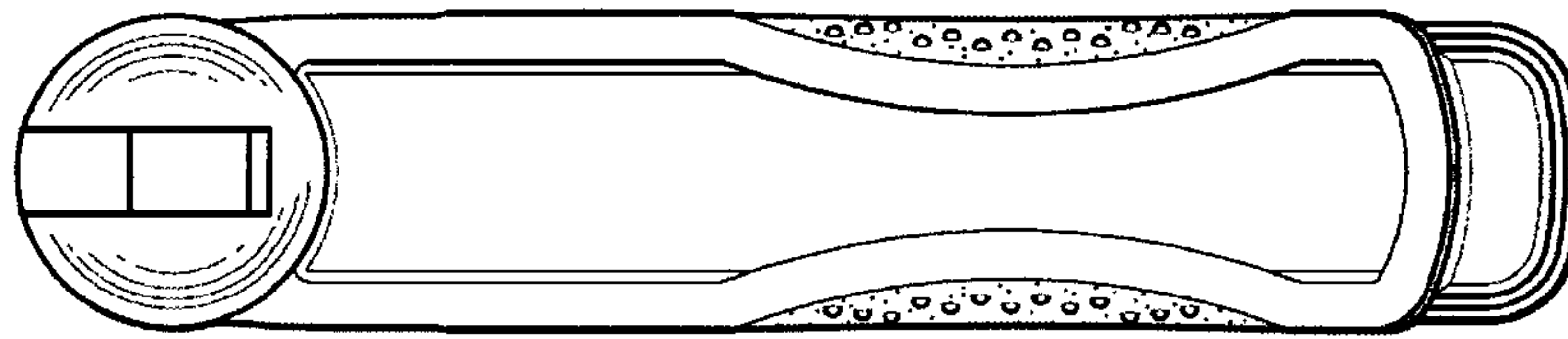


FIG. 5

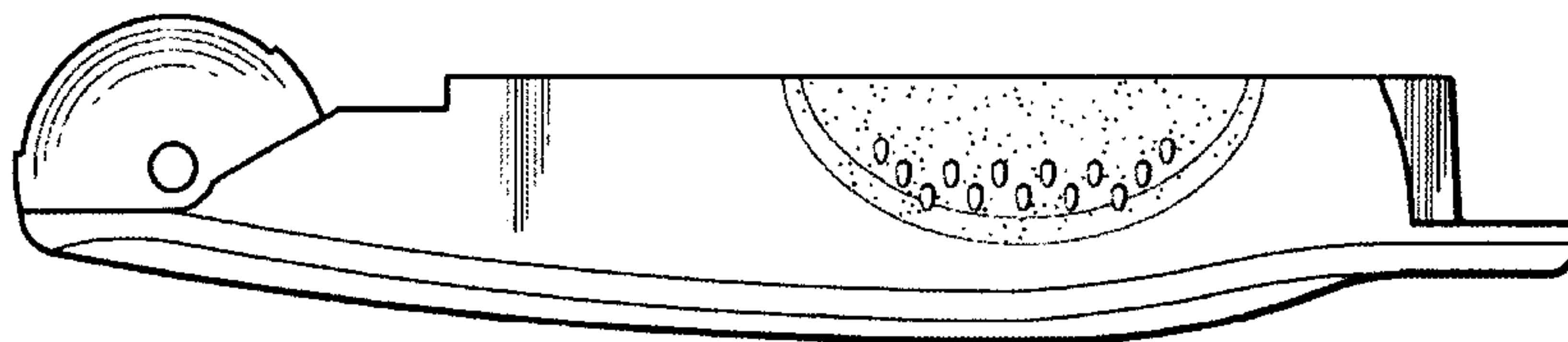


FIG. 6

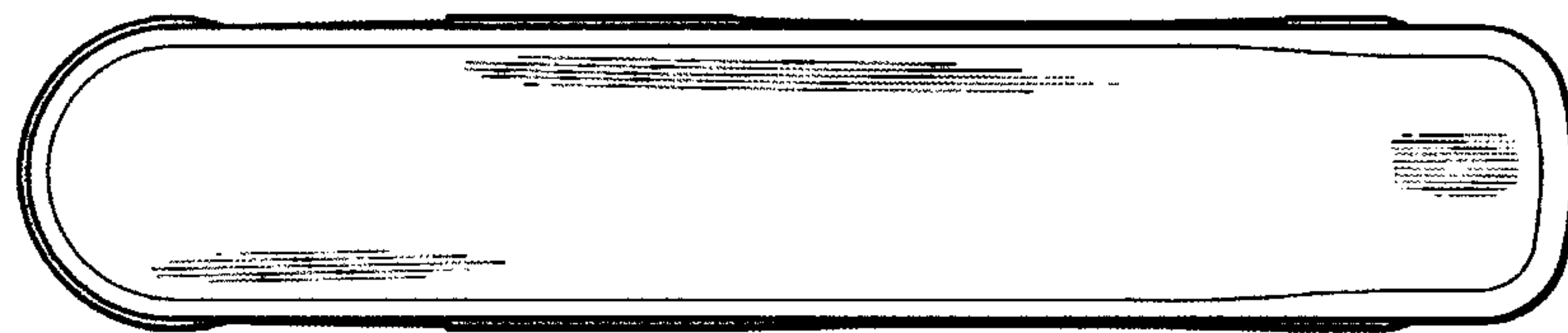


FIG. 7

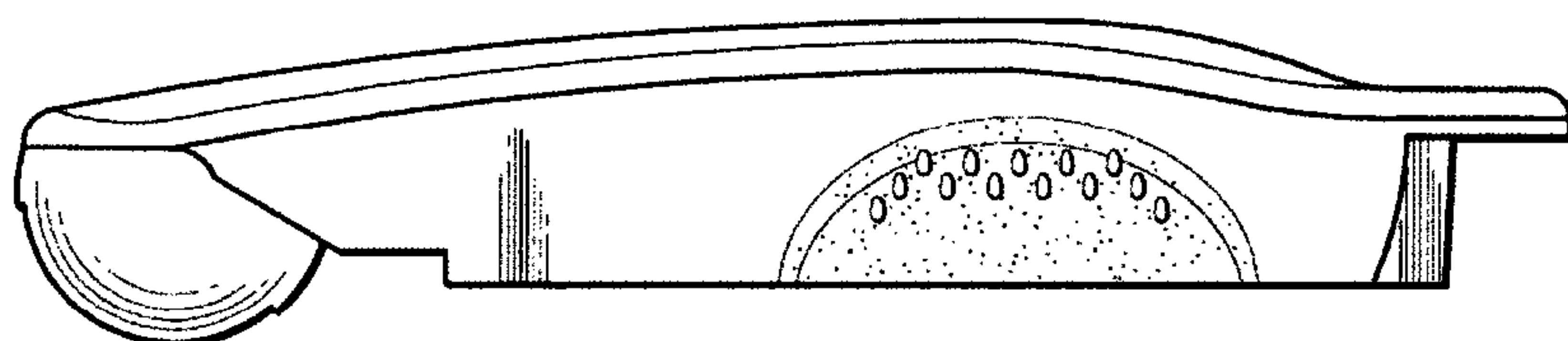


FIG. 8