



US00D691451S

(12) **United States Design Patent**
Weathersby et al.

(10) **Patent No.:** **US D691,451 S**
(45) **Date of Patent:** **** Oct. 15, 2013**

(54) **DOORKNOB ASSEMBLY**

(71) Applicant: **Hampton Products International Corporation**, Foothill Ranch, CA (US)
(72) Inventors: **Steven T. Weathersby**, Lake Forest, CA (US); **John Kiechel**, Oakland, CA (US); **Sean Murphy**, San Francisco, CA (US); **Nasahn Adam Sheppard**, Mill Valley, CA (US); **James Sloss**, Cambridge, MA (US); **Andy Ward**, San Francisco, CA (US)

(73) Assignee: **Hampton Products International Corporation**, Foothill Ranch, CA (US)

(**) Term: **14 Years**

(21) Appl. No.: **29/434,318**

(22) Filed: **Oct. 11, 2012**

(51) **LOC (9) Cl.** **08-06**

(52) **U.S. Cl.**
USPC **D8/302**

(58) **Field of Classification Search**
USPC D8/301, 302, 300, 308, 331, 321, 350, D8/DIG. 10; D23/252, 238; 292/336.3; 74/519, 548; 16/110.1, 412, 402, 430
See application file for complete search history.

(56) **References Cited**

U.S. PATENT DOCUMENTS

D82,968	S	*	1/1931	Bales	D8/302
D83,157	S	*	1/1931	Graff	D8/308
D108,067	S	*	1/1938	Clemmons	D23/252
2,190,951	A	*	2/1940	Roach	292/348
D131,217	S	*	1/1942	Braun	D8/308
2,729,485	A	*	1/1956	Schlage	292/1
D221,431	S	*	8/1971	Petterson	D23/252
D261,726	S	*	11/1981	Valli	D8/301
D297,356	S	*	8/1988	Reid	D23/252

D300,299	S	*	3/1989	Bellini	D8/301
D306,336	S	*	2/1990	Oberdorfer	D23/252
D319,000	S	*	8/1991	Pechar	D8/301
5,390,517	A	*	2/1995	Yamada	70/210
D356,484	S	*	3/1995	Scholl	D8/308
5,718,468	A	*	2/1998	Qureshi et al.	292/347
D444,694	S	*	7/2001	Alvarado	D8/301
D457,048	S	*	5/2002	Zoerner et al.	D8/308
D457,415	S	*	5/2002	Caspersz	D8/308
6,386,602	B1	*	5/2002	Lan	292/336.3
D492,571	S	*	7/2004	Linares	D8/308
D493,088	S	*	7/2004	Kelly	D8/302
D521,354	S	*	5/2006	Gilbert et al.	D8/308
D529,783	S	*	10/2006	Corcino	D8/301
D532,279	S	*	11/2006	Bouroullec et al.	D8/308

(Continued)

Primary Examiner — Paula Greene

(74) *Attorney, Agent, or Firm* — Klein, O'Neill & Singh, LLP

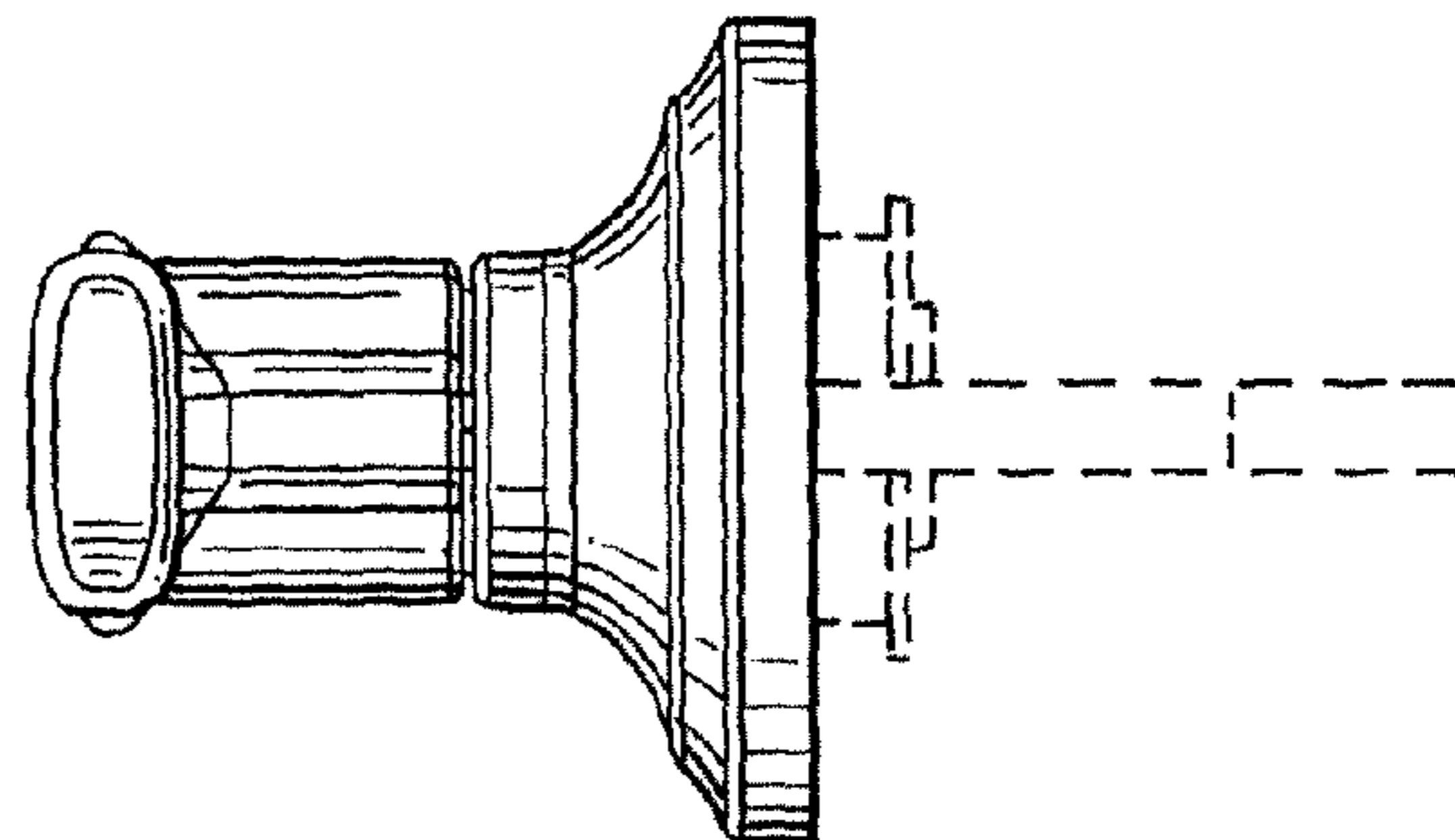
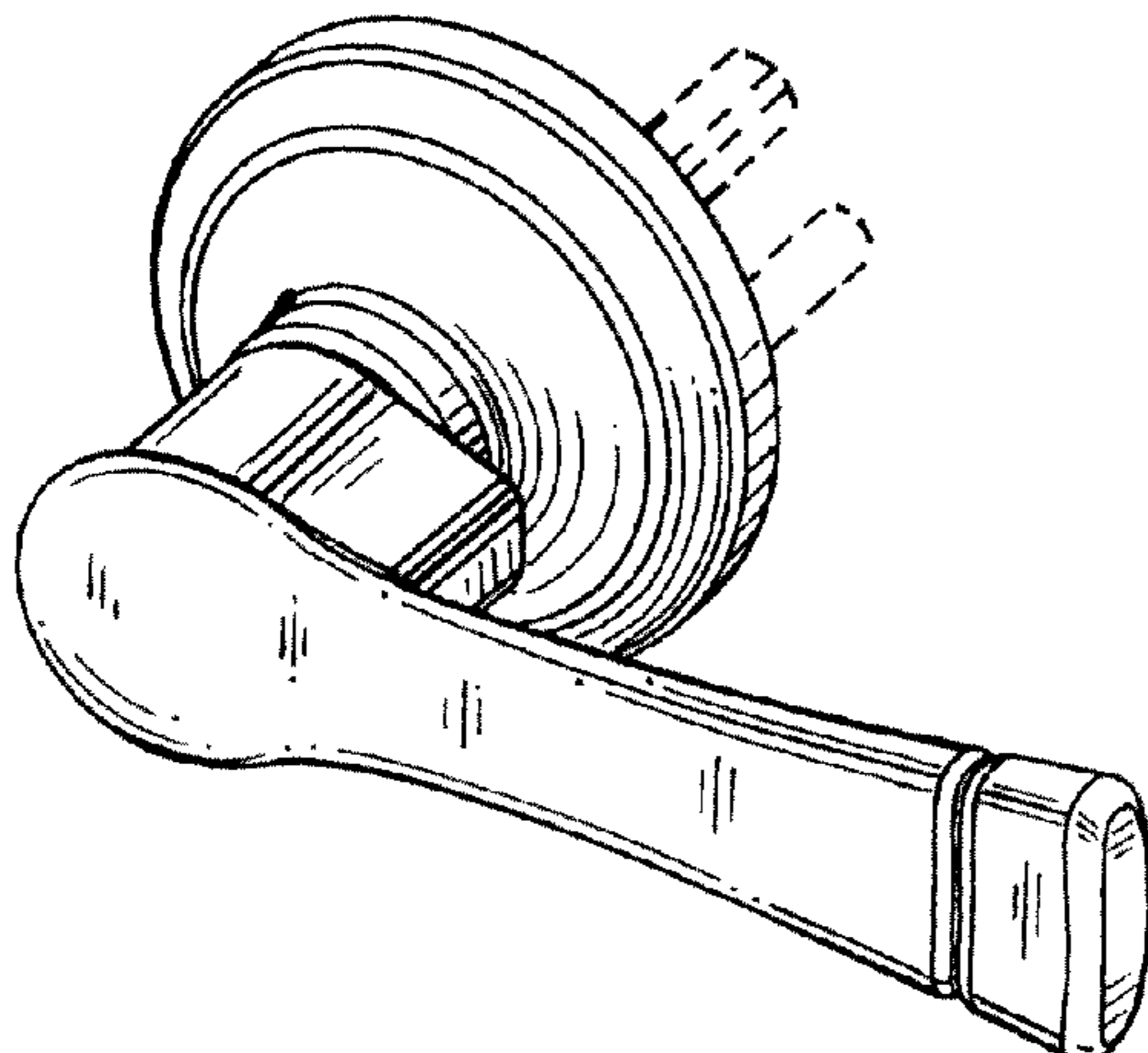
(57) **CLAIM**

The ornamental design for a doorknob assembly, as shown and described.

DESCRIPTION

FIG. 1 is a perspective view, taken from the front, top, and right side, of a doorknob assembly, in accordance with my new design;
FIG. 2 is a front elevational view of the doorknob assembly shown in FIG. 1;
FIG. 3 is a left side elevational view of the doorknob assembly shown in FIG. 1;
FIG. 4 is a right side elevational view of the doorknob assembly shown in FIG. 1;
FIG. 5 is a bottom plan view of the doorknob assembly shown in FIG. 1, the top plan view being identical thereto; and,
FIG. 6 is a rear elevational view of the doorknob assembly shown in FIG. 1.
The broken lines illustrate environmental structure which forms no part of the claimed design.

1 Claim, 2 Drawing Sheets



US D691,451 S

Page 2

(56)

References Cited

U.S. PATENT DOCUMENTS

D534,784 S *	1/2007	Veltz	D8/308	
D547,634 S *	7/2007	Reithmeyer	D8/301	* cited by examiner
D549,545 S *	8/2007	Schneider	D8/308	
D557,585 S *	12/2007	Linares	D8/308	
D621,681 S *	8/2010	Roberts, III	D8/308	

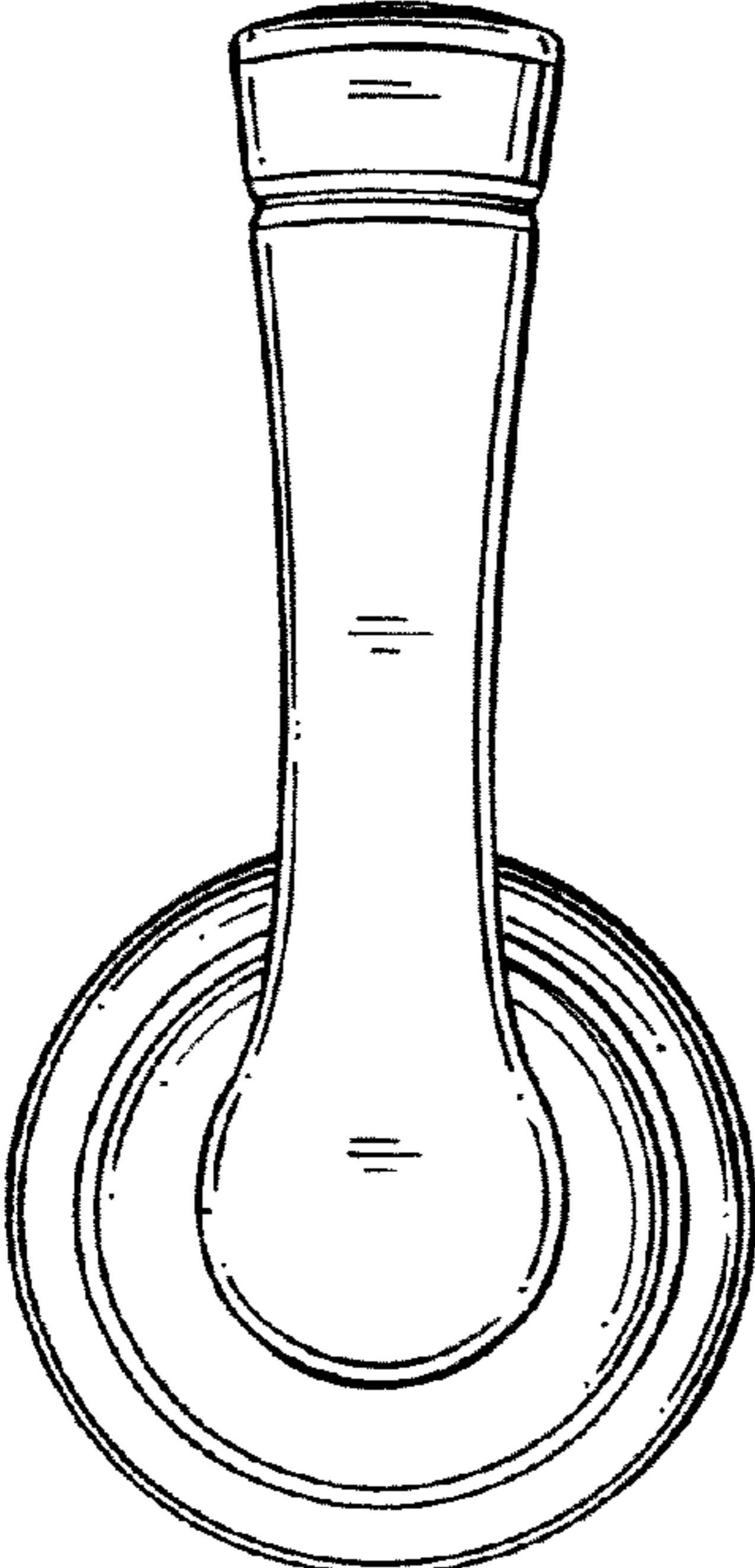


FIG. 2

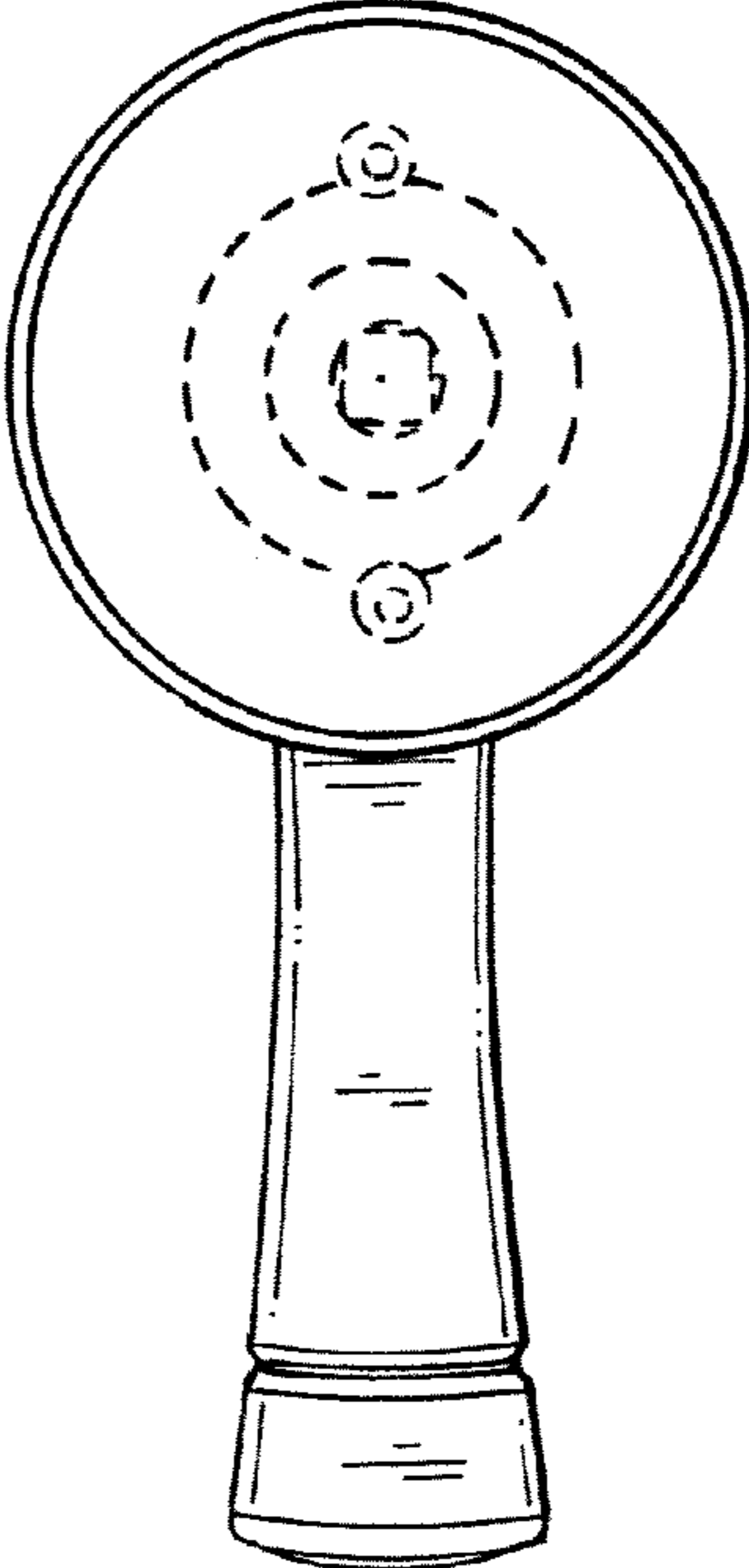


FIG. 6

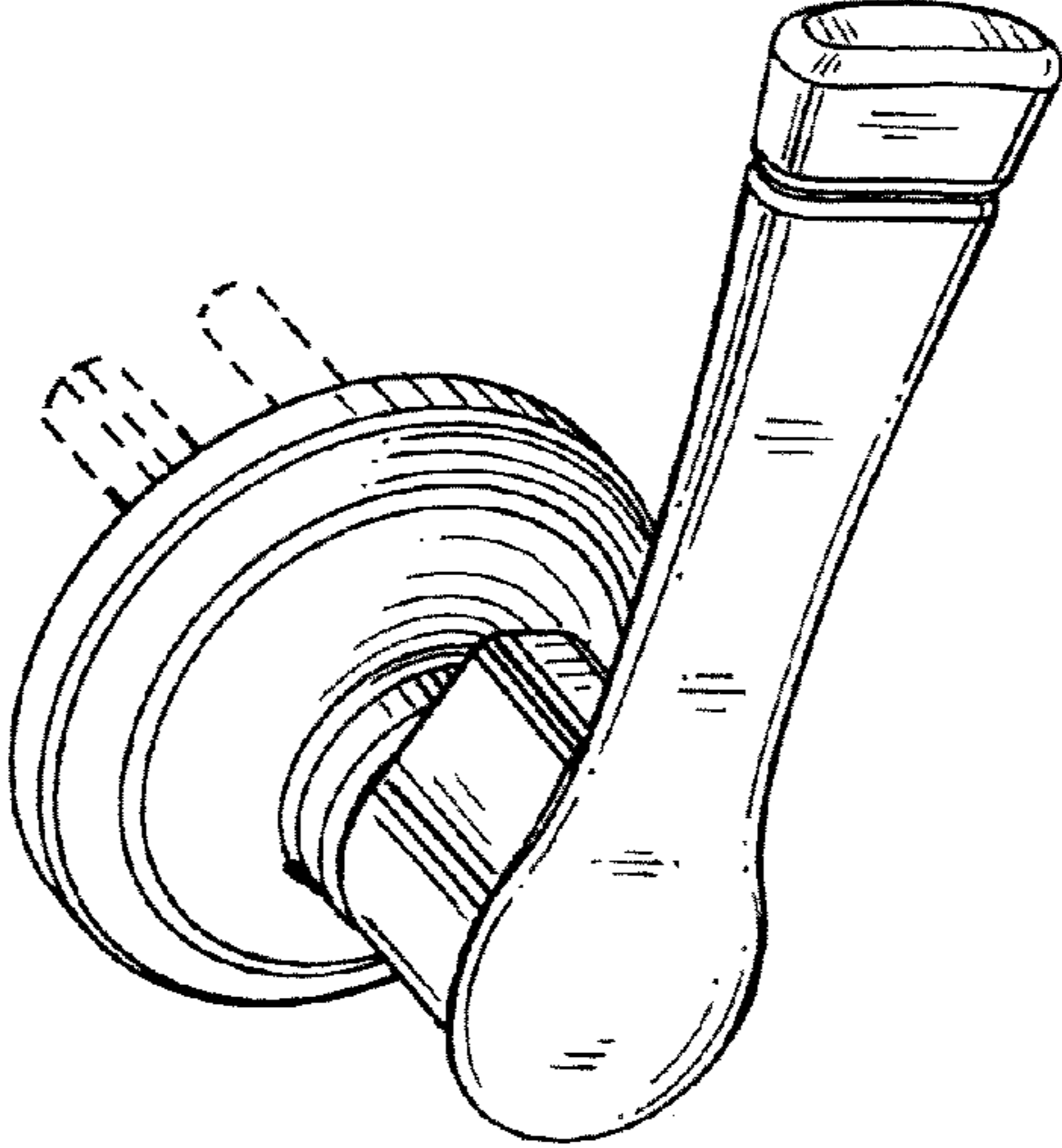


FIG. 1

