



US00D691450S

(12) **United States Design Patent**
Weathersby et al.

(10) **Patent No.:** **US D691,450 S**
(45) **Date of Patent:** **** Oct. 15, 2013**

(54) **LOCKSET ASSEMBLY FOR A DOOR**

(71) Applicant: **Hampton Products International Corporation**, Foothill Ranch, CA (US)

(72) Inventors: **Steven T. Weathersby**, Lake Forest, CA (US); **John Kiechel**, Oakland, CA (US); **Sean Murphy**, San Francisco, CA (US); **Nasahn Adam Sheppard**, Mill Valley, CA (US); **James Sloss**, Cambridge, MA (US); **Andy Ward**, San Francisco, CA (US)

(73) Assignee: **Hampton Products International Corporation**, Foothill Ranch, CA (US)

(**) Term: **14 Years**

(21) Appl. No.: **29/434,330**

(22) Filed: **Oct. 11, 2012**

(51) **LOC (9) Cl.** **08-06**

(52) **U.S. Cl.**
USPC **D8/301**

(58) **Field of Classification Search**
USPC D8/300, 301, 302, 308, 331, 321,
D8/350, DIG. 10; D23/252; 292/336.3;
74/519, 548; 16/110.1, 412, 402, 430
See application file for complete search history.

(56) **References Cited**

U.S. PATENT DOCUMENTS

2,267,939	A *	12/1941	McKenzie	292/357
D131,217	S *	1/1942	Braun	D8/308
2,729,485	A *	1/1956	Schlage	292/1
D189,962	S *	3/1961	Maffei	D8/308
4,453,753	A *	6/1984	Fayerman et al.	292/348
4,671,089	A *	6/1987	Fleming et al.	70/452
D312,565	S *	12/1990	Abraham et al.	D8/301
D317,706	S *	6/1991	Boeri	D8/308
D318,214	S *	7/1991	Fleming et al.	D8/301
D319,000	S *	8/1991	Pechar	D8/301

D332,904	S *	2/1993	Plummer et al.	D8/308
D346,105	S *	4/1994	Shaanan	D8/301
5,364,139	A *	11/1994	Bergen et al.	292/169
5,390,517	A *	2/1995	Yamada	70/210
5,481,890	A *	1/1996	Millman	70/224
5,564,296	A *	10/1996	Therault et al.	70/224
D380,133	S *	6/1997	Rochette et al.	D8/301
5,718,468	A *	2/1998	Qureshi et al.	292/347
5,727,406	A *	3/1998	Banducci	70/224
D395,220	S *	6/1998	Klinker	D8/308
5,761,936	A *	6/1998	Katayama	70/224
D423,902	S *	5/2000	Libby et al.	D8/301
D444,694	S *	7/2001	Alvarado	D8/301
D457,415	S *	5/2002	Caspersz	D8/308

(Continued)

Primary Examiner — Paula Greene

(74) *Attorney, Agent, or Firm* — Klein, O'Neill & Singh, LLP

(57) **CLAIM**

The ornamental design for a lockset assembly for a door, as shown and described.

DESCRIPTION

FIG. 1 is a perspective view, taken from the front, top, and right side, of a lockset assembly for a door, in accordance with my new design;

FIG. 2 is a front elevational view of the lockset assembly for a door shown in FIG. 1;

FIG. 3 is a left side elevational view of the lockset assembly for a door shown in FIG. 1;

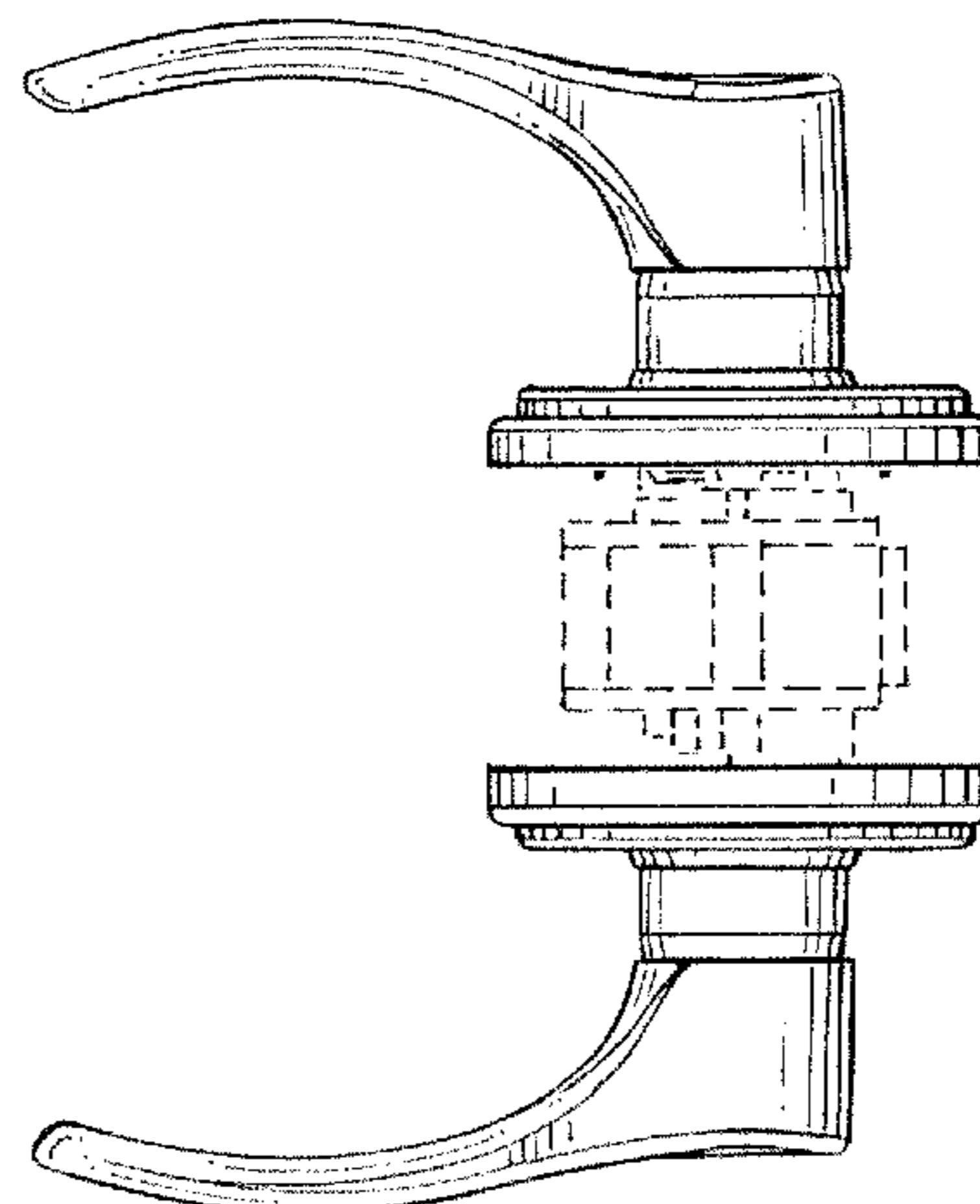
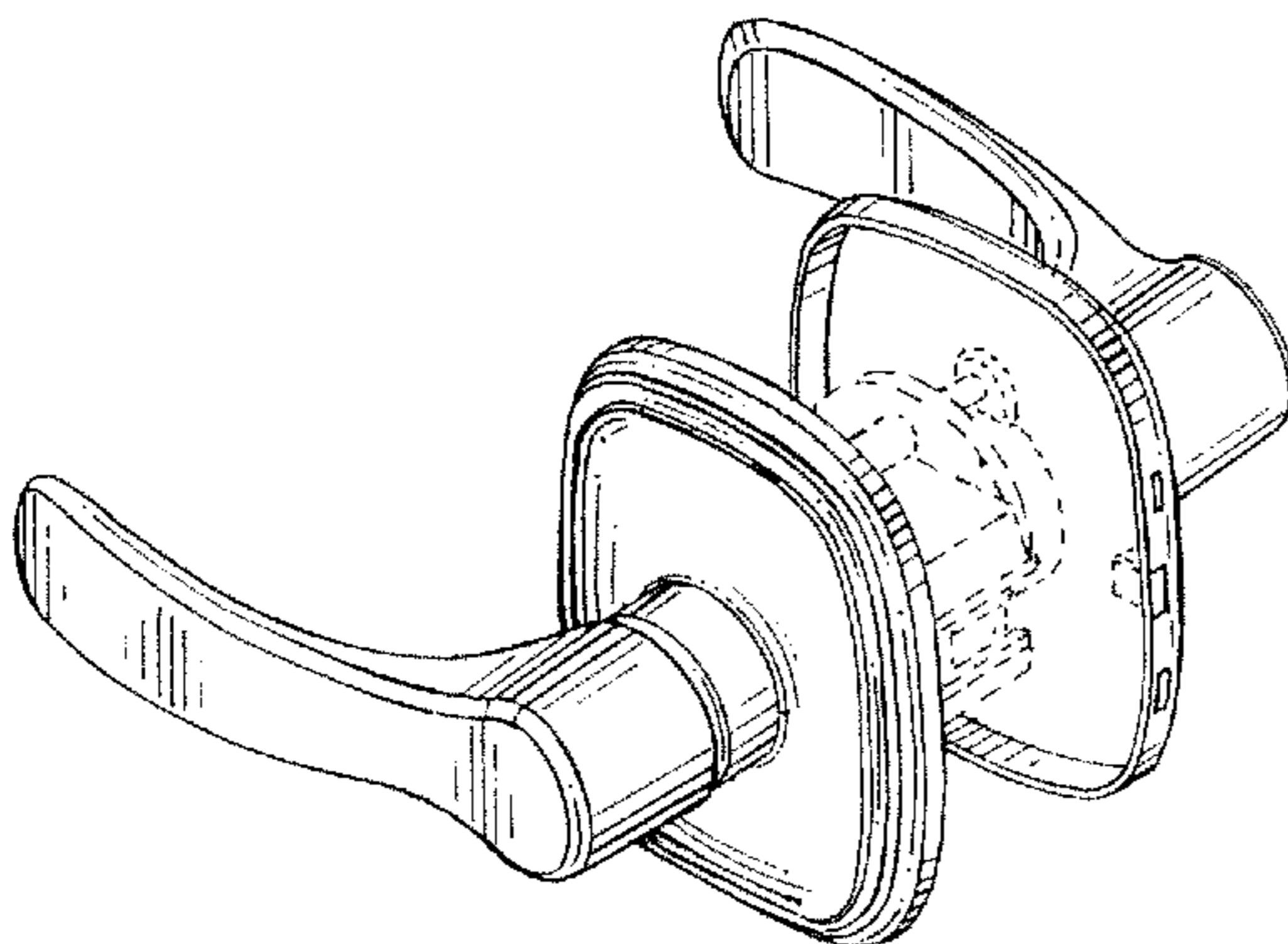
FIG. 4 is a right side elevational view of the lockset assembly for a door shown in FIG. 1;

FIG. 5 is a top plan view of the lockset assembly for a door shown in FIG. 1, the bottom plan view being identical thereto; and,

FIG. 6 is a rear elevational view of the lockset assembly for a door shown in FIG. 1.

The broken lines illustrate environmental structure which forms no part of the claimed design.

1 Claim, 2 Drawing Sheets



(56)

References Cited

U.S. PATENT DOCUMENTS

6,386,602 B1 * 5/2002 Lan 292/336.3
D471,422 S * 3/2003 Ellis et al. D8/301
D492,571 S * 7/2004 Linares D8/308
D493,088 S * 7/2004 Kelly D8/302
D493,089 S * 7/2004 Samson et al. D8/308
D511,671 S * 11/2005 Gorkovenko D8/308
D529,783 S * 10/2006 Corcino D8/301

D532,279 S * 11/2006 Bouroullec et al. D8/308
D537,702 S * 3/2007 Roberts, III D8/308
D549,545 S * 8/2007 Schneider D8/308
D557,585 S * 12/2007 Linares D8/308
D585,721 S * 2/2009 Le et al. D8/308
D587,091 S * 2/2009 Chen D8/308
D593,840 S * 6/2009 Roberts, III D8/308
D621,682 S * 8/2010 Roberts, III D8/308

* cited by examiner

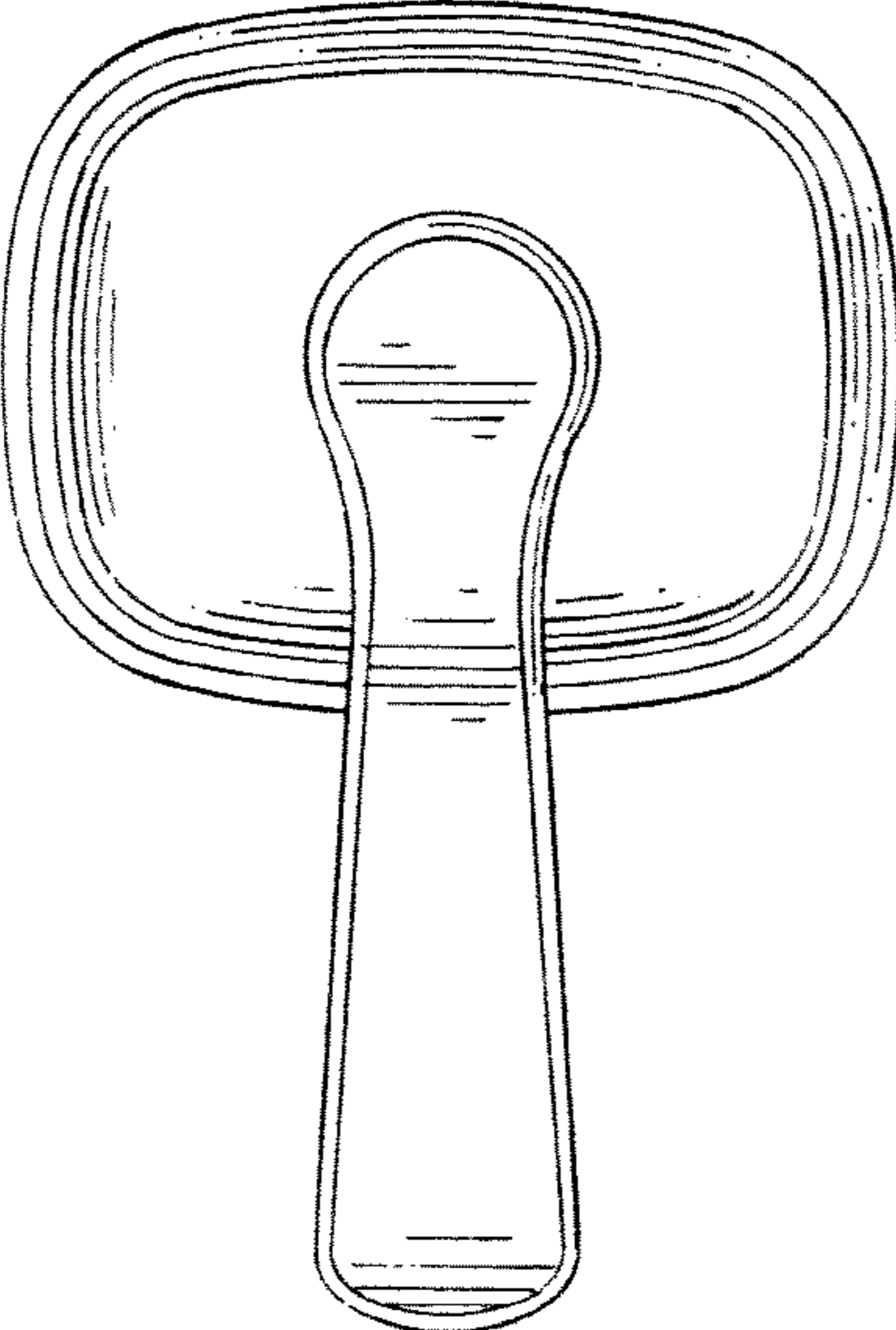


FIG. 2

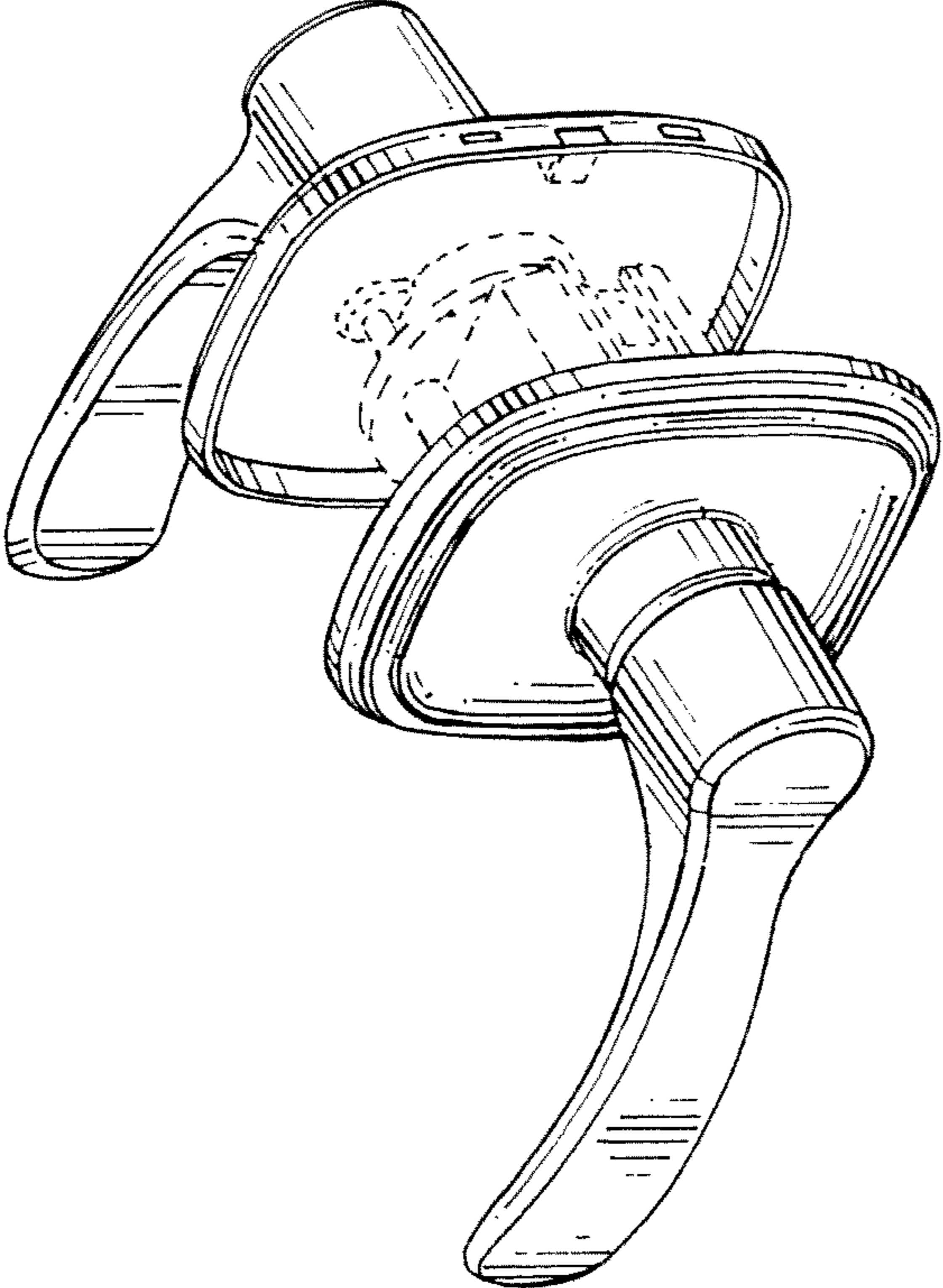


FIG. 1

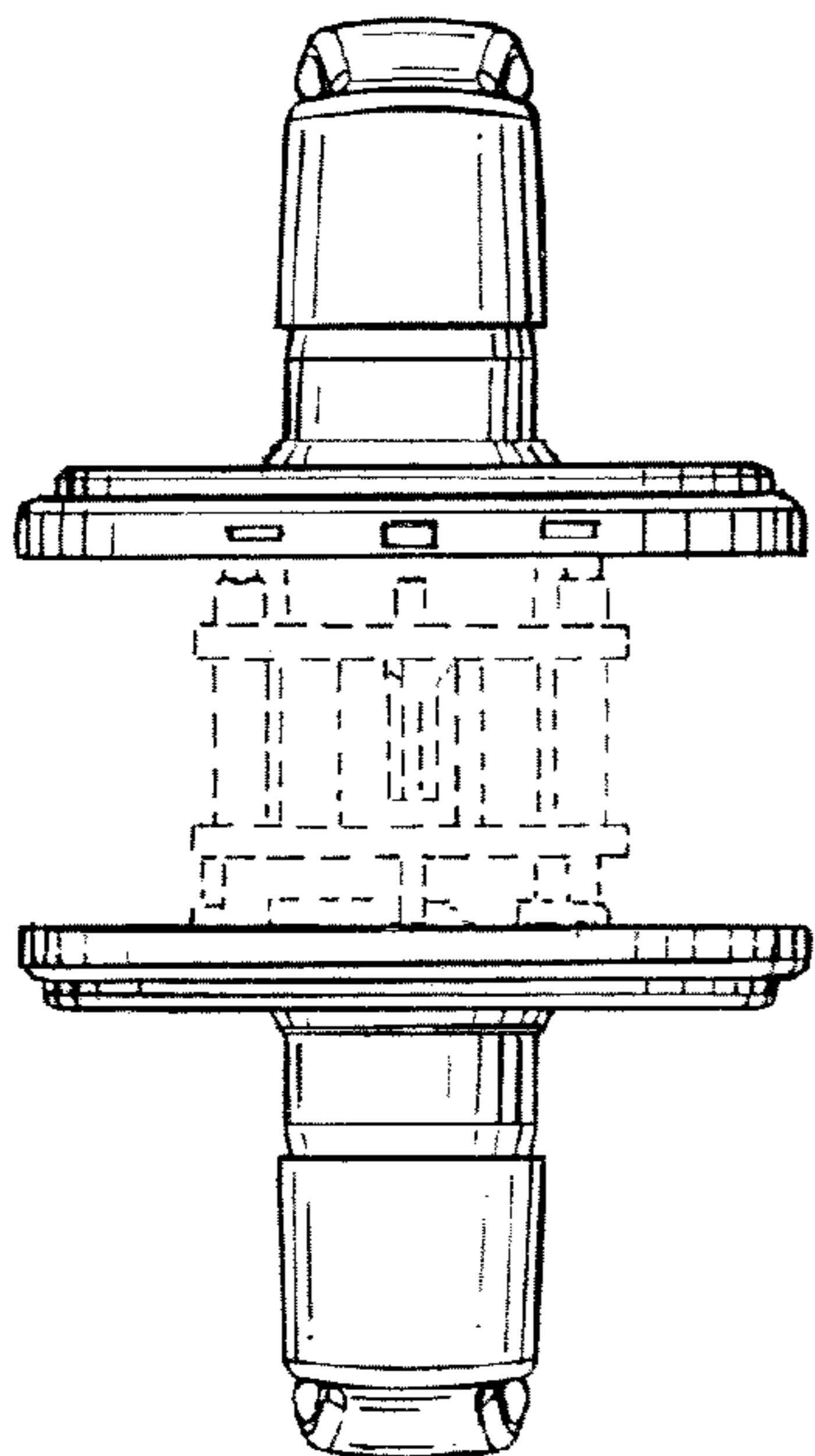


FIG. 3

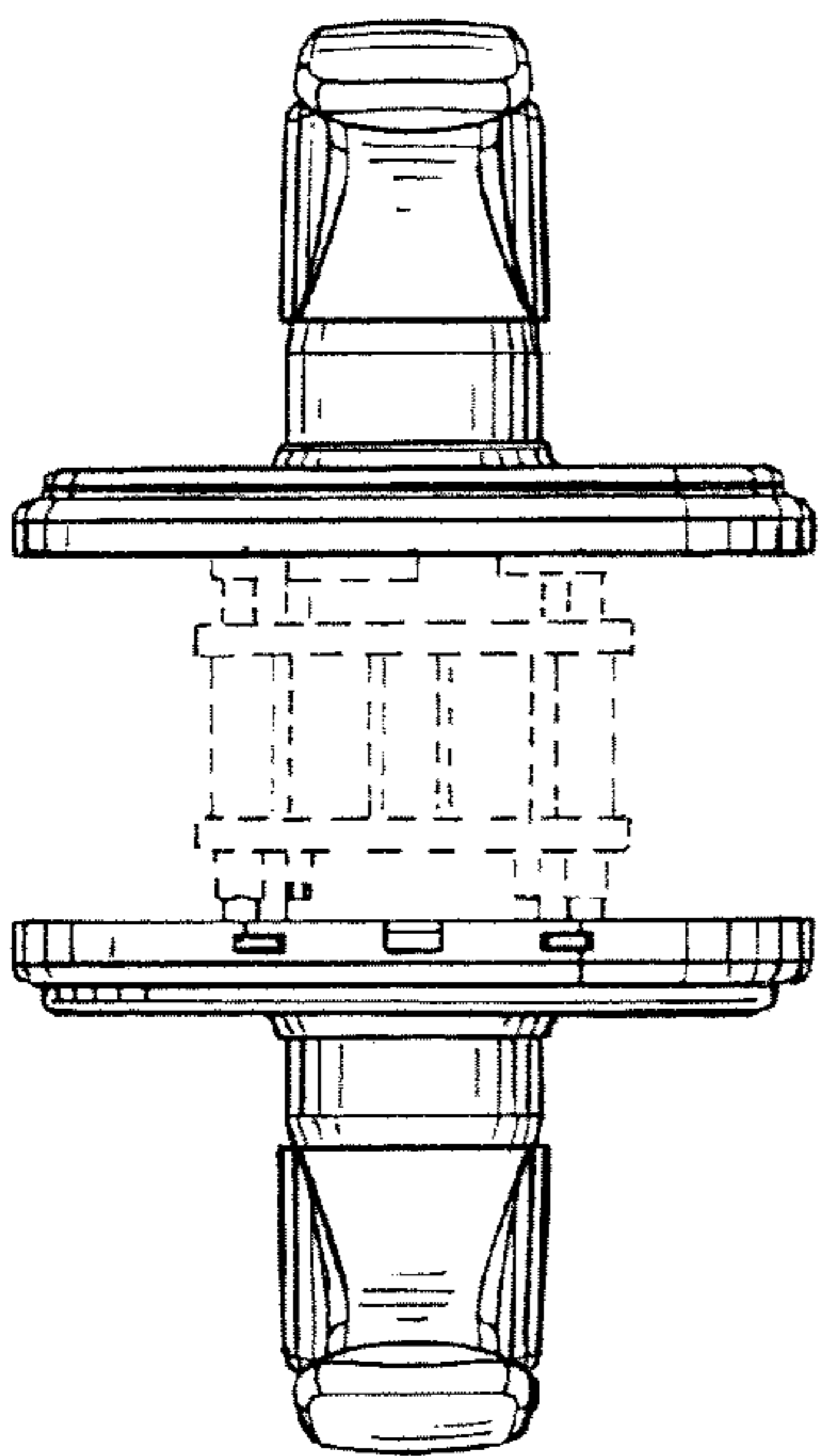


FIG. 4

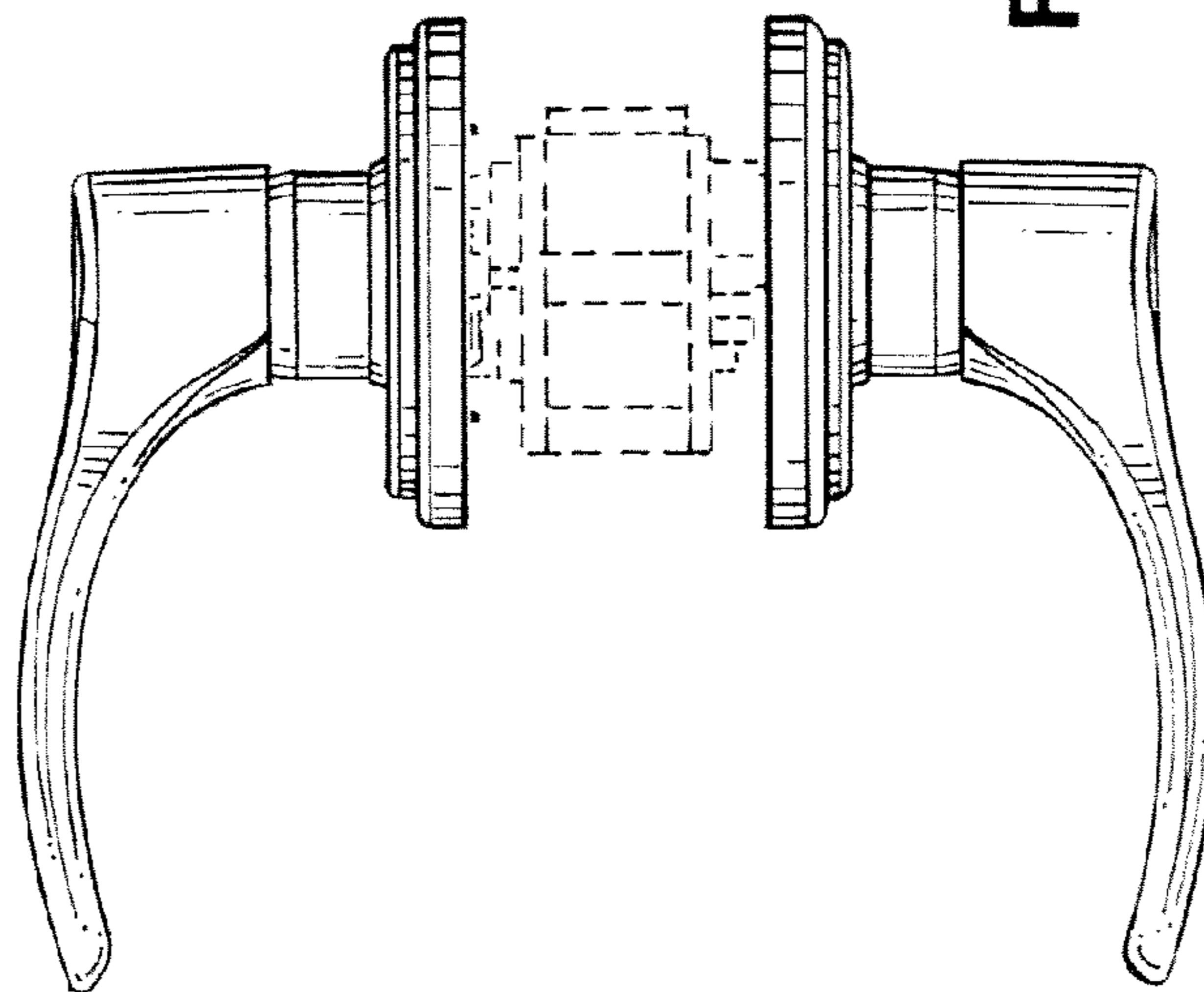


FIG. 5

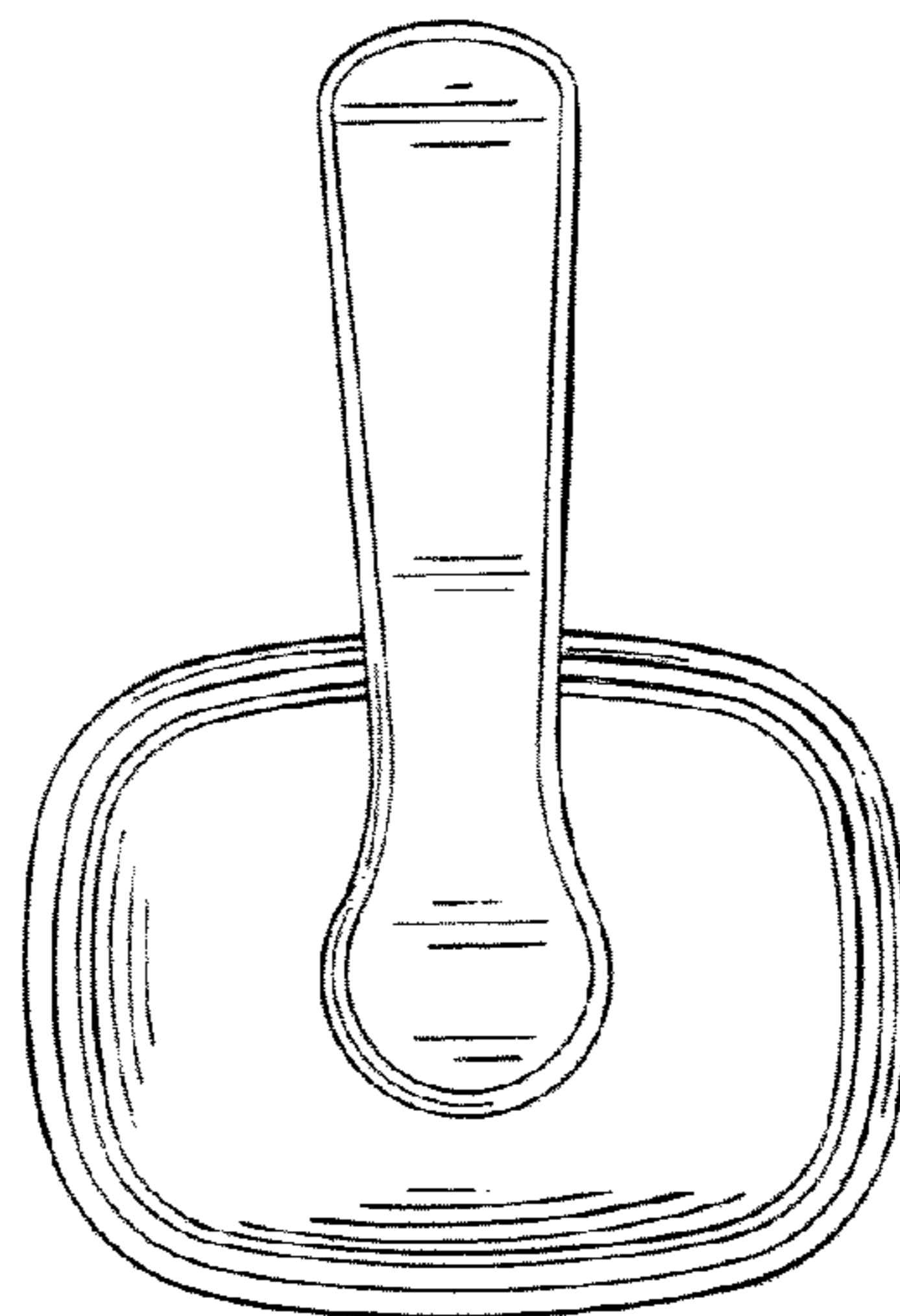


FIG. 6