



US00D691449S

(12) **United States Design Patent**
Weathersby et al.

(10) **Patent No.:** **US D691,449 S**
(45) **Date of Patent:** **** Oct. 15, 2013**

(54) **LOCKSET ASSEMBLY FOR A DOOR**

(71) Applicant: **Hampton Products International Corporation**, Foothill Ranch, CA (US)

(72) Inventors: **Steven T. Weathersby**, Lake Forest, CA (US); **John Kiechel**, Oakland, CA (US); **Sean Murphy**, San Francisco, CA (US); **Nasahn Adam Shappard**, Mill Valley, CA (US); **James Sloss**, Cambridge, MA (US); **Andy Ward**, San Francisco, CA (US)

(73) Assignee: **Hampton Products International Corporation**, Foothill Ranch, CA (US)

(**) Term: **14 Years**

(21) Appl. No.: **29/434,329**

(22) Filed: **Oct. 11, 2012**

(51) **LOC (9) Cl.** **08-06**

(52) **U.S. Cl.**
USPC **D8/301**

(58) **Field of Classification Search**
USPC D8/301, 302, 300, 308, 331, 321, D8/350, DIG. 10; D23/252, 238; 292/336.3; 74/519, 548; 16/110.1, 412, 402, 430
See application file for complete search history.

(56) **References Cited**

U.S. PATENT DOCUMENTS

D82,968	S	*	1/1931	Bales	D8/302
D83,157	S	*	1/1931	Graff	D8/308
D108,067	S	*	1/1938	Clemmons	D23/252
2,190,951	A	*	2/1940	Roach	292/348
D131,217	S	*	1/1942	Braun	D8/308
2,729,485	A	*	1/1956	Schlage	292/1
3,107,113	A	*	10/1963	Sconzo	292/228
3,452,564	A	*	7/1969	Hallgren	70/452
D221,431	S	*	8/1971	Petterson	D23/252
D261,726	S	*	11/1981	Valli	D8/301

4,671,089	A	*	6/1987	Fleming et al.	70/452
D297,356	S	*	8/1988	Reid	D23/252
D300,299	S	*	3/1989	Bellini	D8/301
D306,336	S	*	2/1990	Oberdorfer	D23/252
D312,565	S	*	12/1990	Abraham et al.	D8/301
D318,214	S	*	7/1991	Fleming et al.	D8/301
D318,215	S	*	7/1991	Fleming	D8/301
D319,000	S	*	8/1991	Pechar	D8/301
5,219,192	A	*	6/1993	Berger	292/173
D339,280	S	*	9/1993	Bray et al.	D8/301
5,390,517	A	*	2/1995	Yamada	70/210
D356,484	S	*	3/1995	Scholl	D8/308
5,718,468	A	*	2/1998	Qureshi et al.	292/347
D444,694	S	*	7/2001	Alvarado	D8/301

(Continued)

Primary Examiner — Paula Greene

(74) *Attorney, Agent, or Firm* — Klein, O'Neill & Singh, LLP

(57) **CLAIM**

The ornamental design for a lockset assembly for a door, as shown and described.

DESCRIPTION

FIG. 1 is a perspective view, taken from the front, top, and right side, of a lockset assembly for a door, in accordance with my new design;

FIG. 2 is a front elevational view of the lockset assembly for a door shown in FIG. 1;

FIG. 3 is a right side elevational view of the lockset assembly for a door shown in FIG. 1;

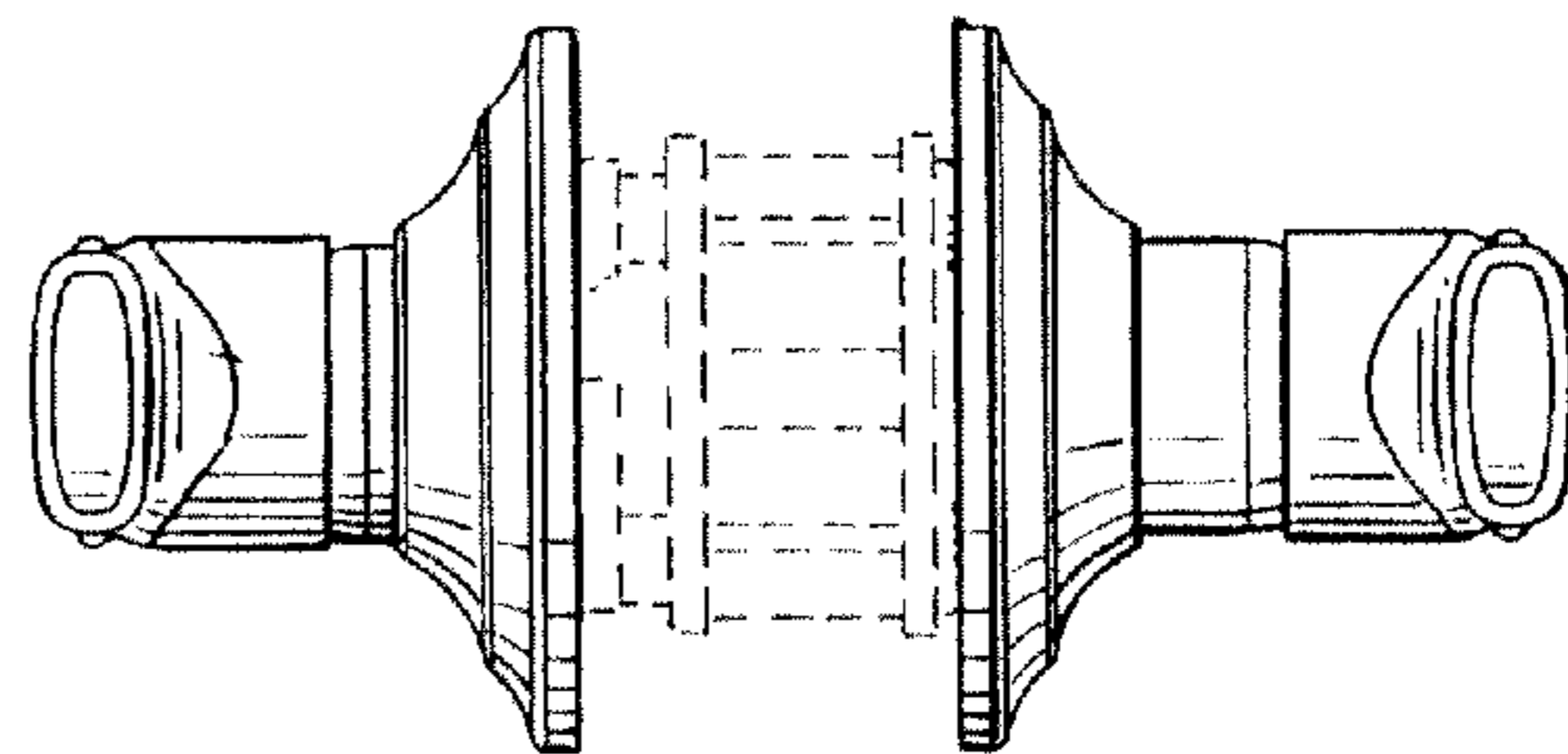
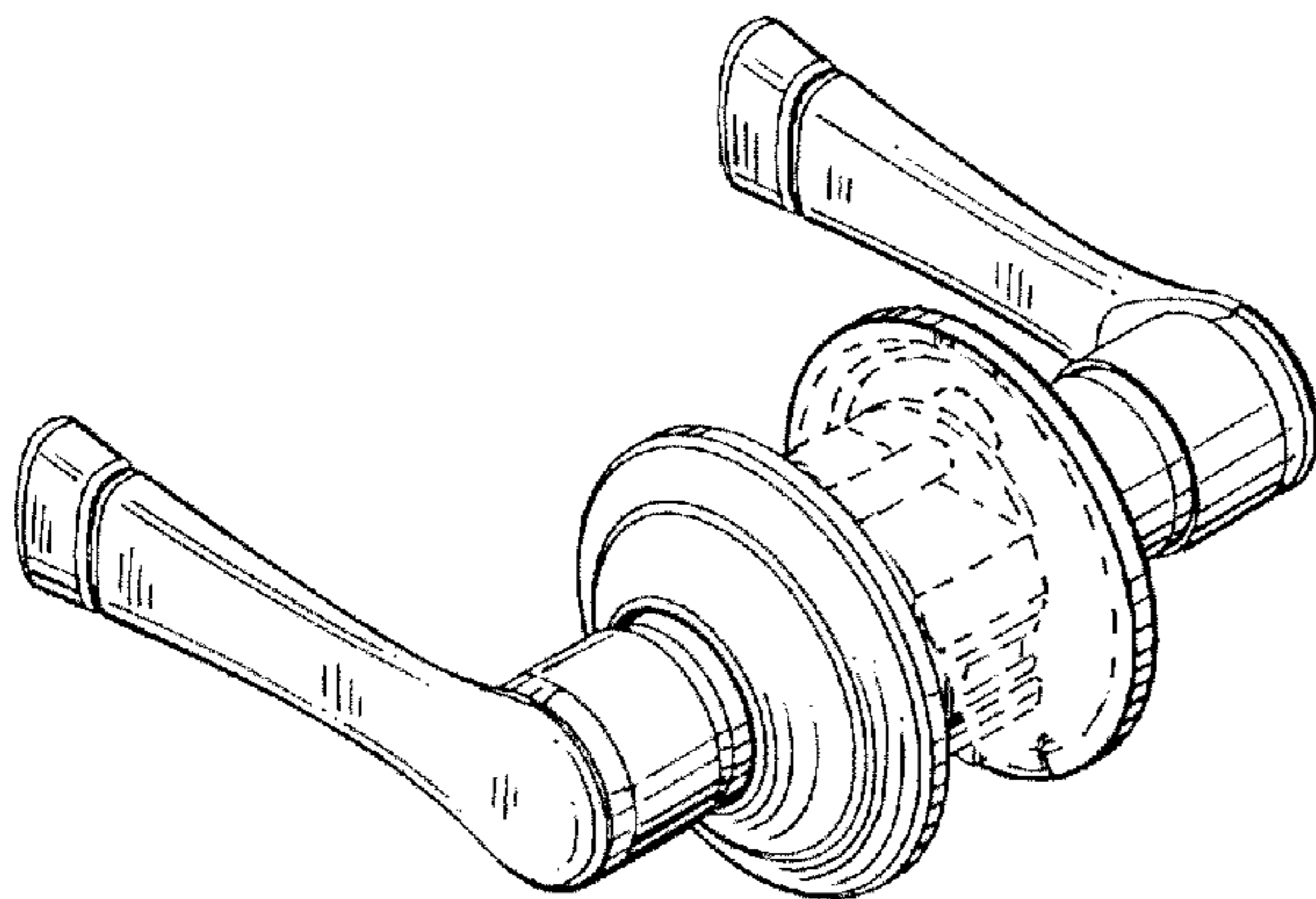
FIG. 4 is a left side elevational view of the lockset assembly for a door shown in FIG. 1;

FIG. 5 is a top plan view of the lockset assembly for a door shown in FIG. 1, the bottom plan view being identical thereto; and,

FIG. 6 is a rear elevational view of the lockset assembly for a door shown in FIG. 1.

The broken lines illustrate environmental structure which forms no part of the claimed design.

1 Claim, 3 Drawing Sheets



(56)

References Cited

U.S. PATENT DOCUMENTS

D457,048 S * 5/2002 Zoerner et al. D8/308
D457,415 S * 5/2002 Caspersz D8/308
6,386,602 B1 * 5/2002 Lan 292/336.3
D492,571 S * 7/2004 Linares D8/308
D493,088 S * 7/2004 Kelly D8/302
D521,354 S * 5/2006 Gilbert et al. D8/308

D529,783 S * 10/2006 Corcino D8/301
D532,279 S * 11/2006 Bouroullec et al. D8/308
D534,784 S * 1/2007 Veltz D8/308
D547,634 S * 7/2007 Reithmeyer D8/301
D549,545 S * 8/2007 Schneider D8/308
D557,585 S * 12/2007 Linares D8/308
D621,681 S * 8/2010 Roberts, III D8/308
8,449,003 B2 * 5/2013 Bunker et al. 292/336.3

* cited by examiner

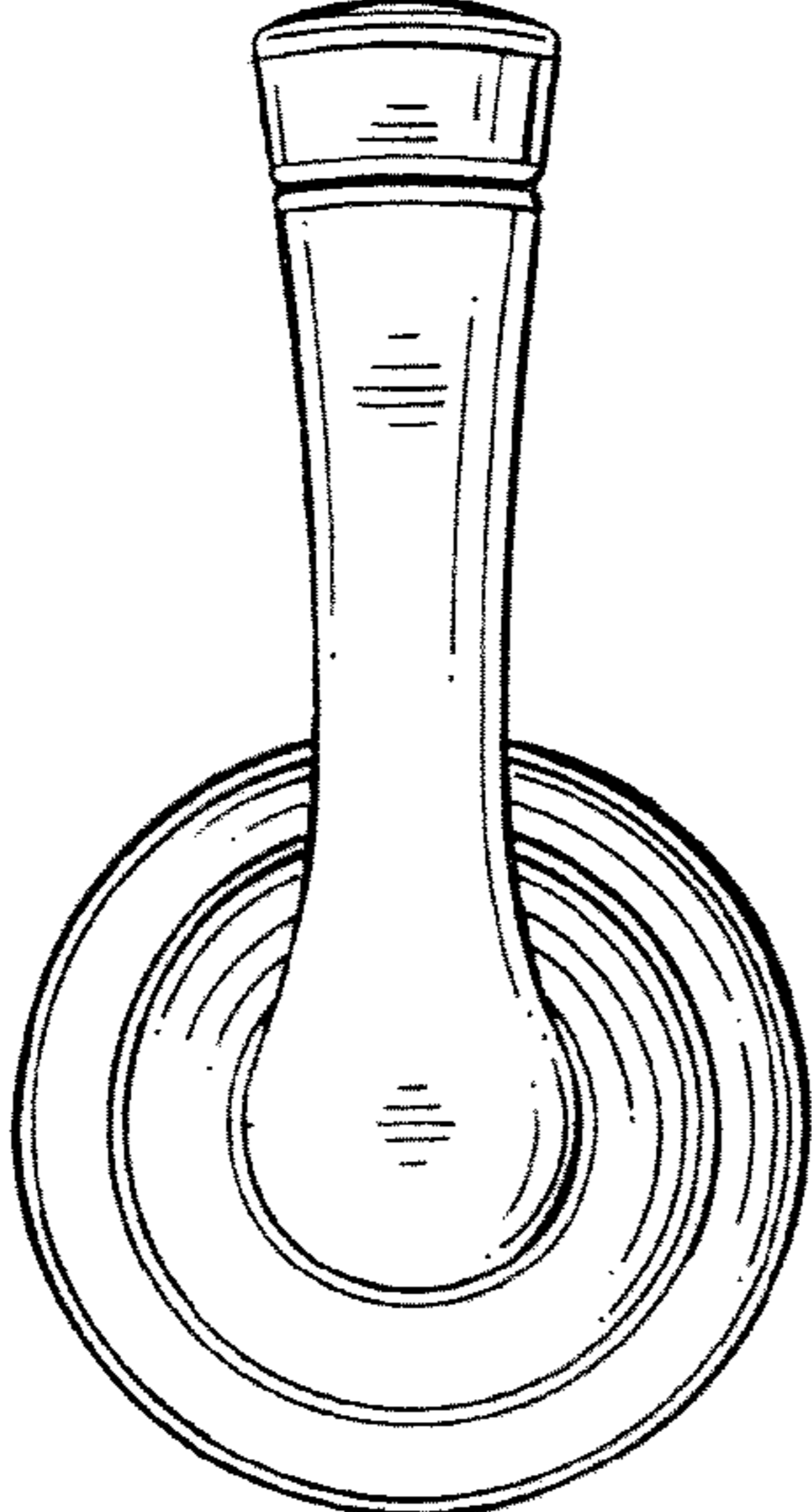


FIG. 2

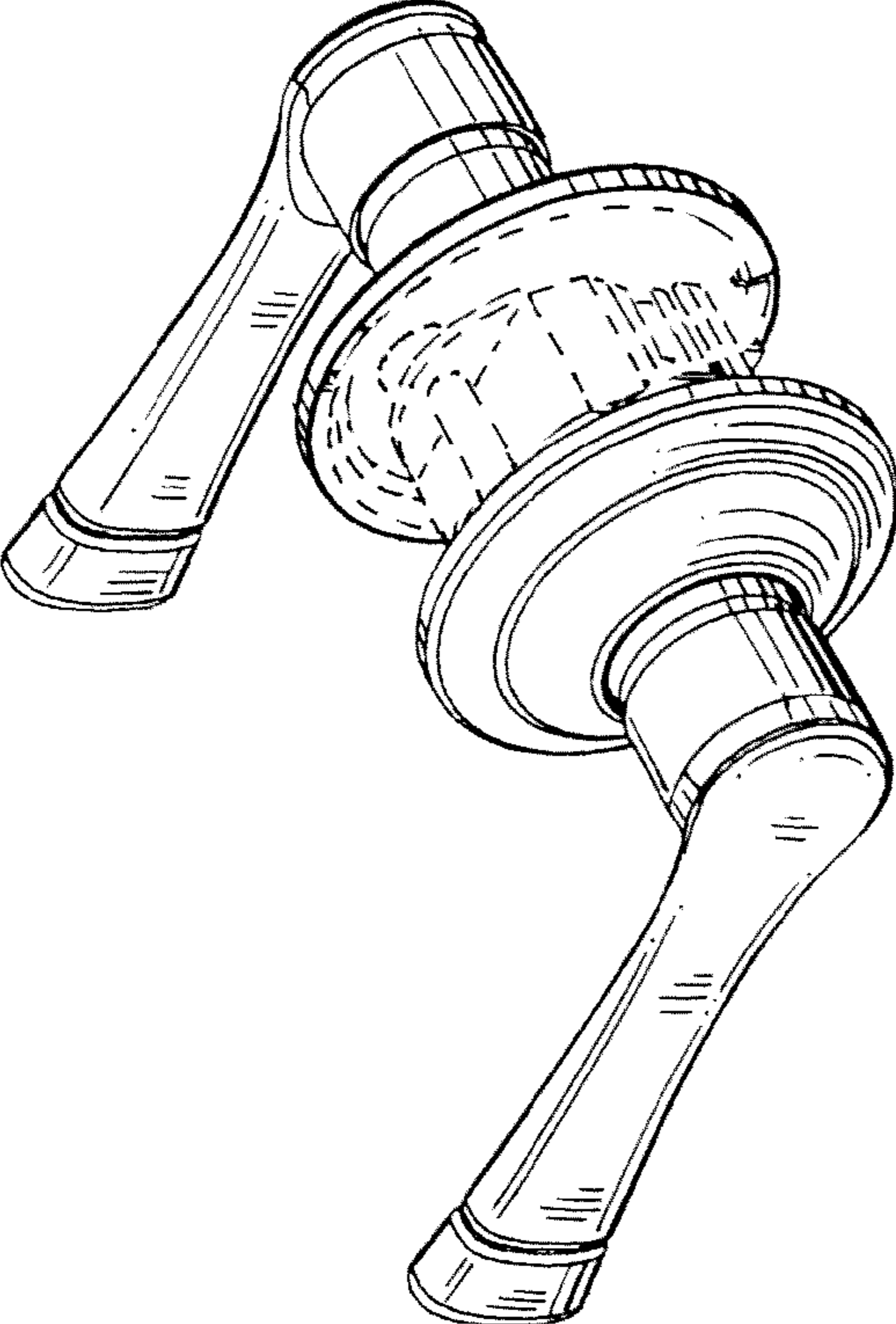


FIG. 1

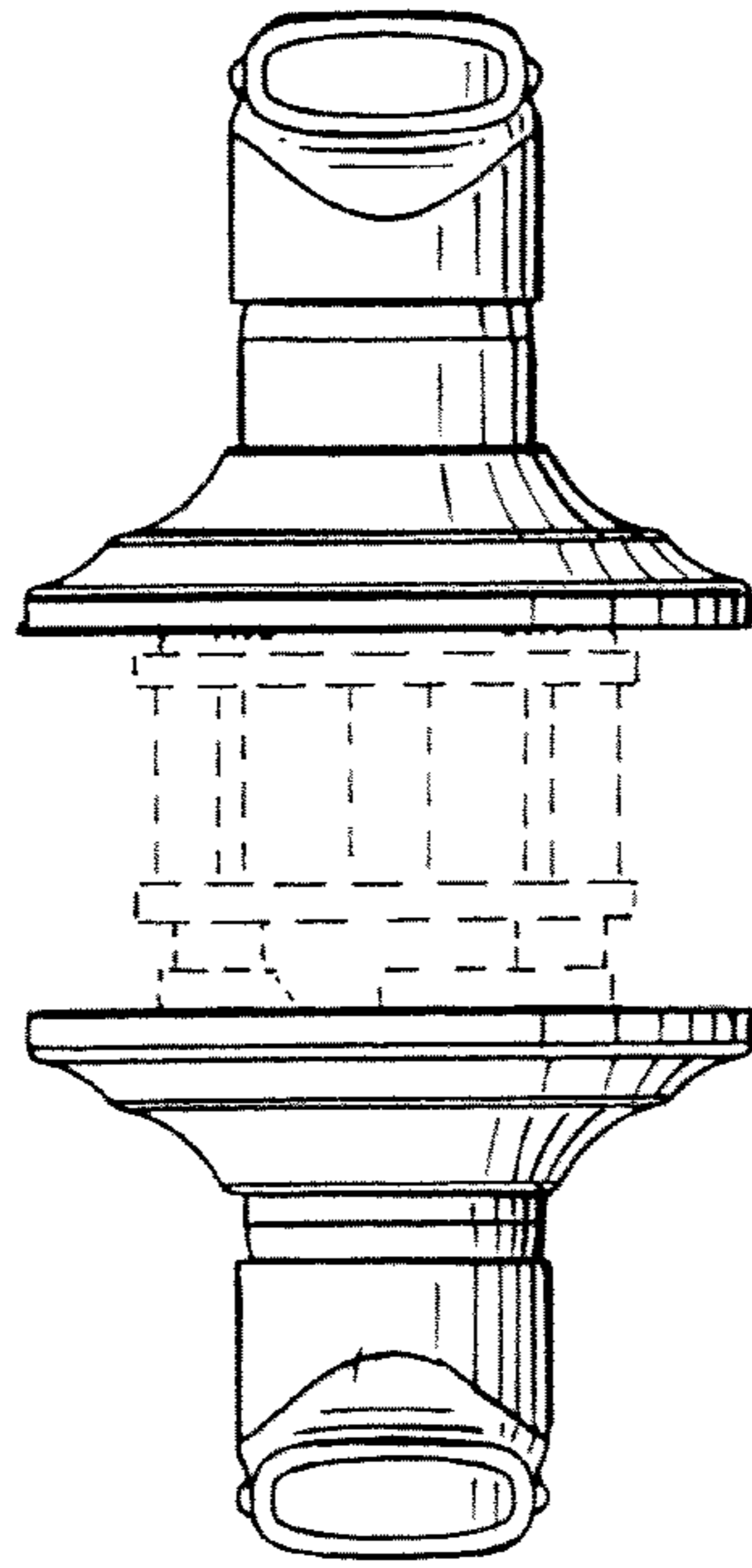


FIG. 4

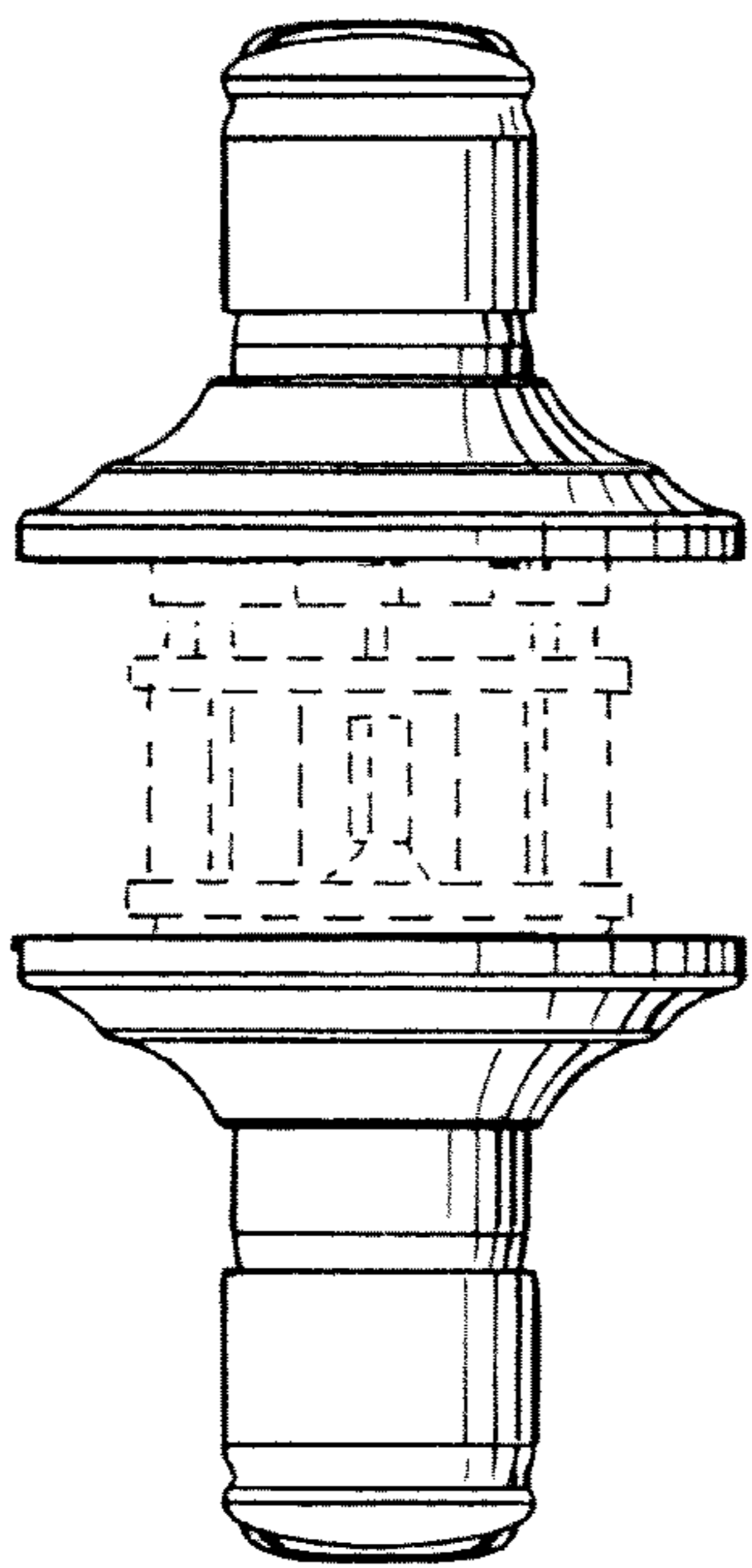


FIG. 3

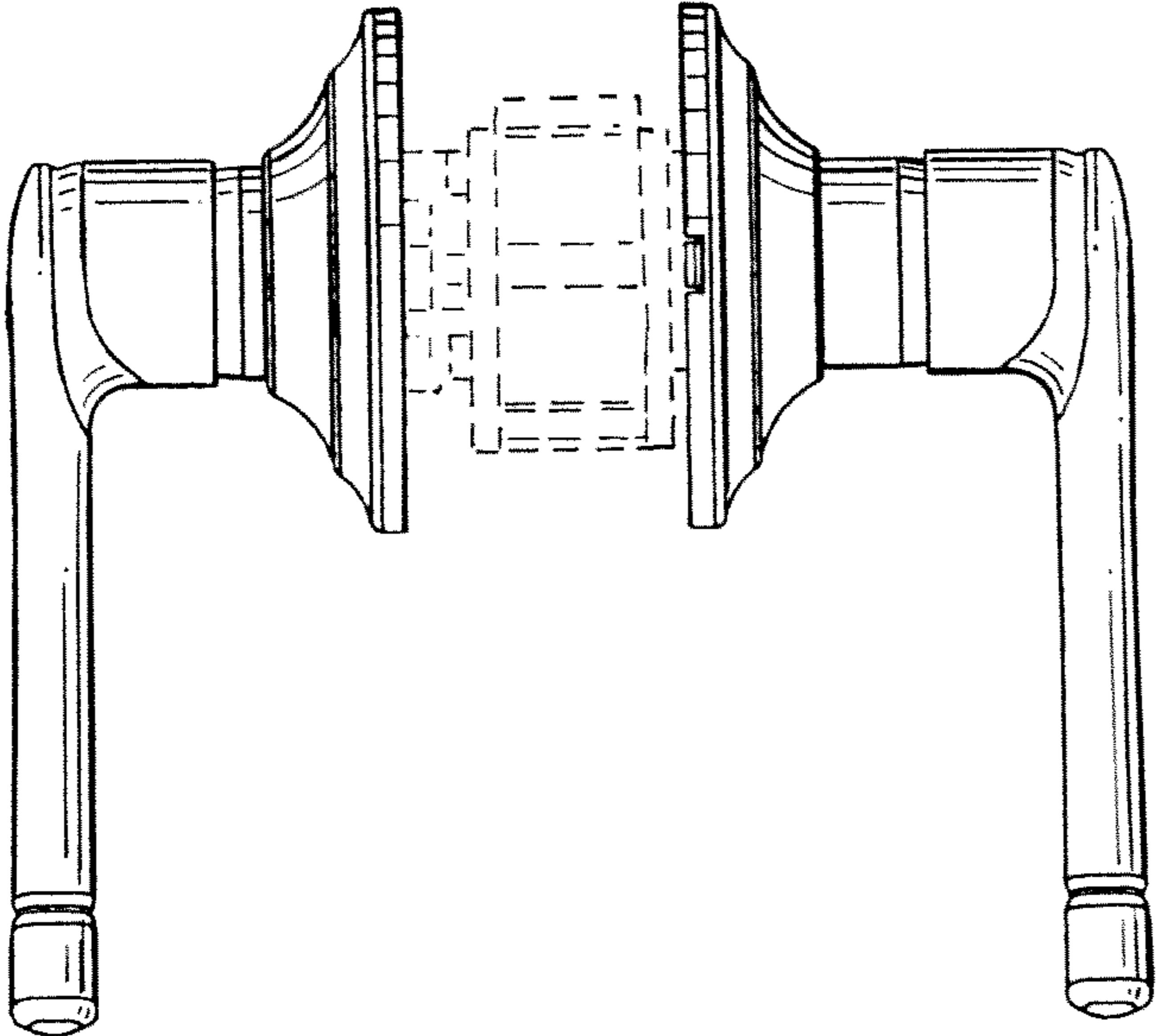


FIG. 5

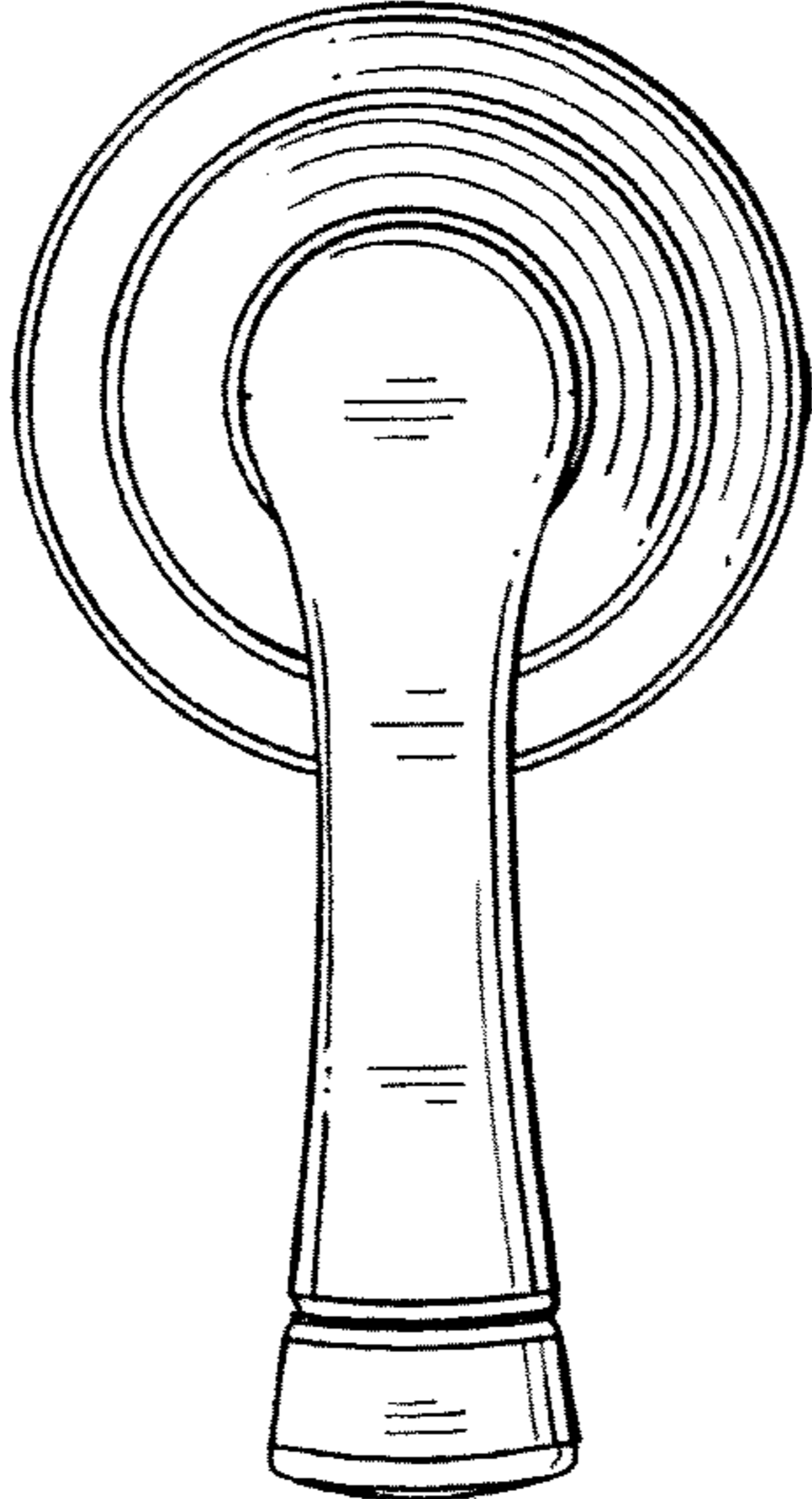


FIG. 6