



US00D691445S

(12) **United States Design Patent**
Orwin

(10) **Patent No.:** **US D691,445 S**
(45) **Date of Patent:** **** Oct. 15, 2013**

(54) **GUIDE**

(76) Inventor: **Michael Orwin**, London (GB)

(**) Term: **14 Years**

(21) Appl. No.: **29/403,378**

(22) Filed: **Oct. 5, 2011**

(30) **Foreign Application Priority Data**

Apr. 5, 2011 (EM) 001846106

(51) **LOC (9) Cl.** **08-05**

(52) **U.S. Cl.**
USPC **D8/71; D10/62**

(58) **Field of Classification Search**
USPC D8/71; D10/62, 65, 72; 33/451,
33/460, 470, 474, 476, 480; 242/129.5, 157 R,
242/899

See application file for complete search history.

(56) **References Cited**

U.S. PATENT DOCUMENTS

D190,195 S *	4/1961	Graham	D10/62
D234,902 S *	4/1975	Marsh et al.	D15/133
4,608,898 A *	9/1986	Volk	83/745
D299,437 S *	1/1989	Kull	D10/62
5,113,596 A *	5/1992	Meyers	33/770
5,390,425 A *	2/1995	Gilberts	33/764
5,509,338 A *	4/1996	Ekker	83/745
5,782,007 A *	7/1998	Harris	33/768
D402,214 S *	12/1998	Logwood	D10/65

D510,710 S *	10/2005	Brass et al.	D10/62
7,020,978 B1 *	4/2006	Nelson	33/760
7,484,313 B1 *	2/2009	Ogilvie	33/770
D630,954 S *	1/2011	Giles	D10/65

FOREIGN PATENT DOCUMENTS

DE	3415317 A *	4/1984
JP	2006088358 A *	4/2006

* cited by examiner

Primary Examiner — Philip S Hyder
Assistant Examiner — Darlington Ly
(74) *Attorney, Agent, or Firm* — Leason Ellis LLP

(57) **CLAIM**

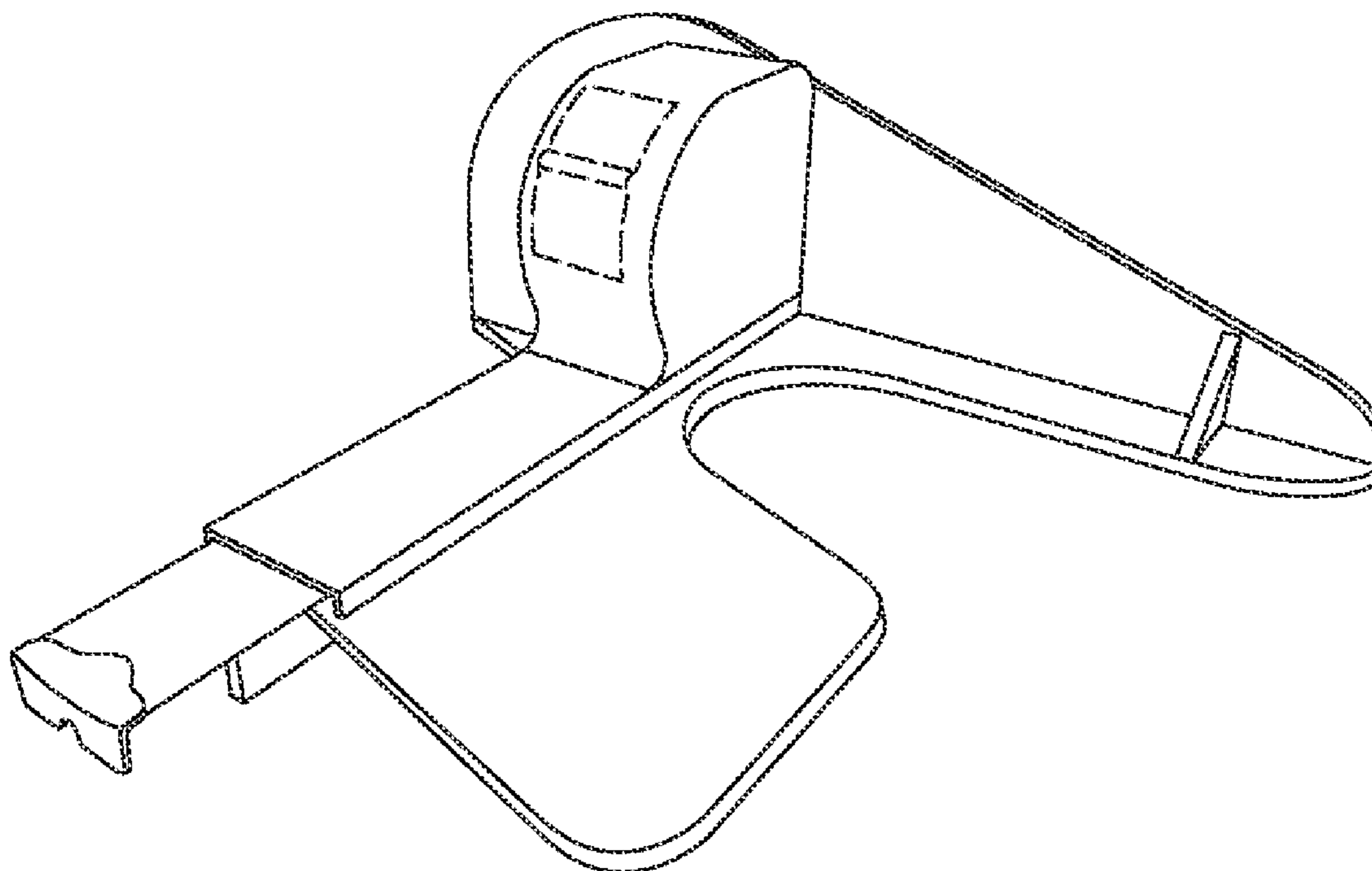
The ornamental design for a guide, as shown and described.

DESCRIPTION

FIG. 1 is a side overhead perspective view of a guide showing my new design;
FIG. 2 is the opposing side overhead perspective view thereof;
FIG. 3 is an alternate side overhead perspective view thereof;
FIG. 4 is a side elevation view thereof;
FIG. 5 is an opposing side elevation view thereof;
FIG. 6 is an end elevation view thereof; and,
FIG. 7 is a top plan view thereof.

The broken lines shown in the drawings illustrate features of the article in which the design is embodied that form no part of the claim.

1 Claim, 4 Drawing Sheets



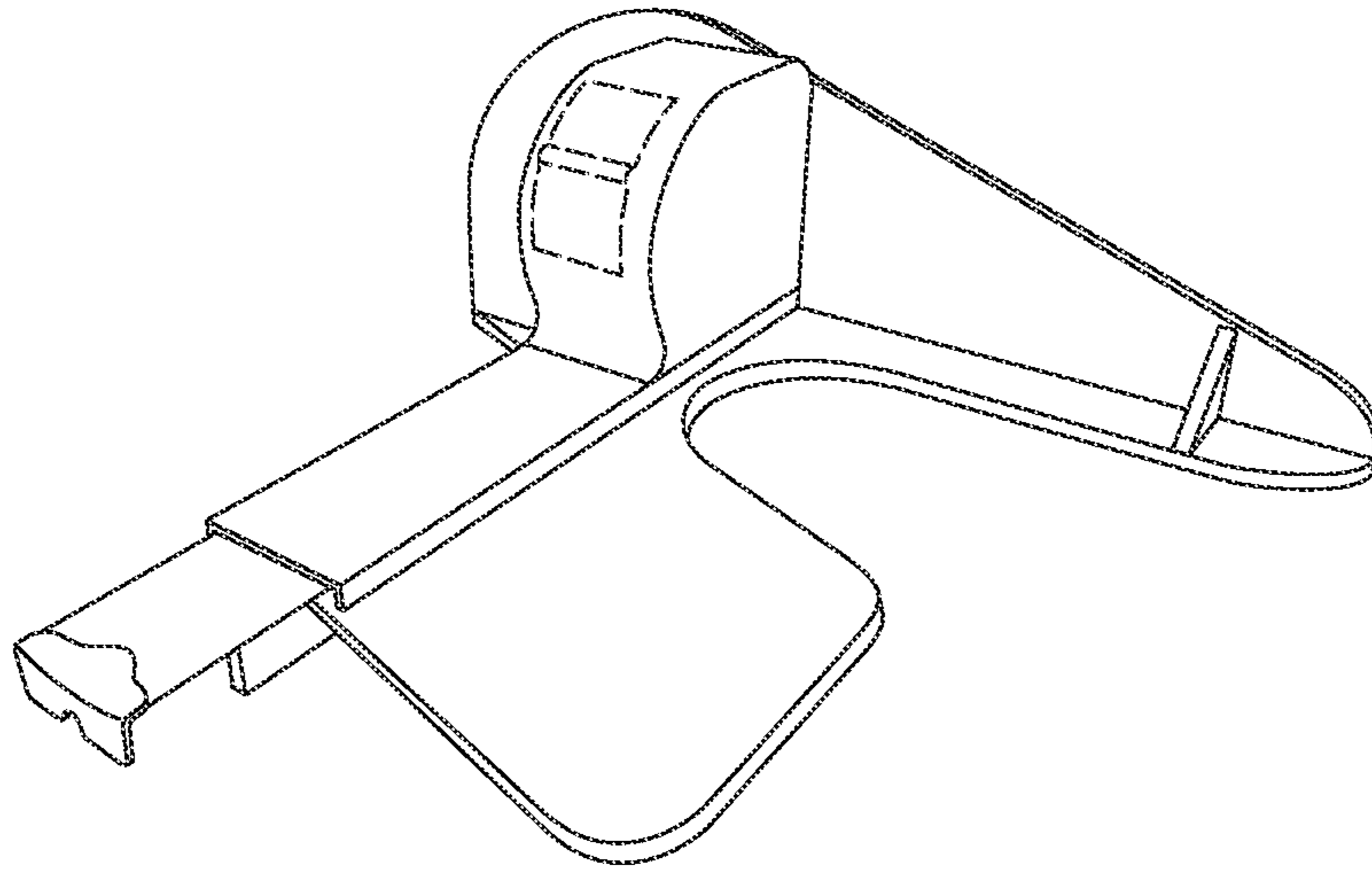


Fig. 1

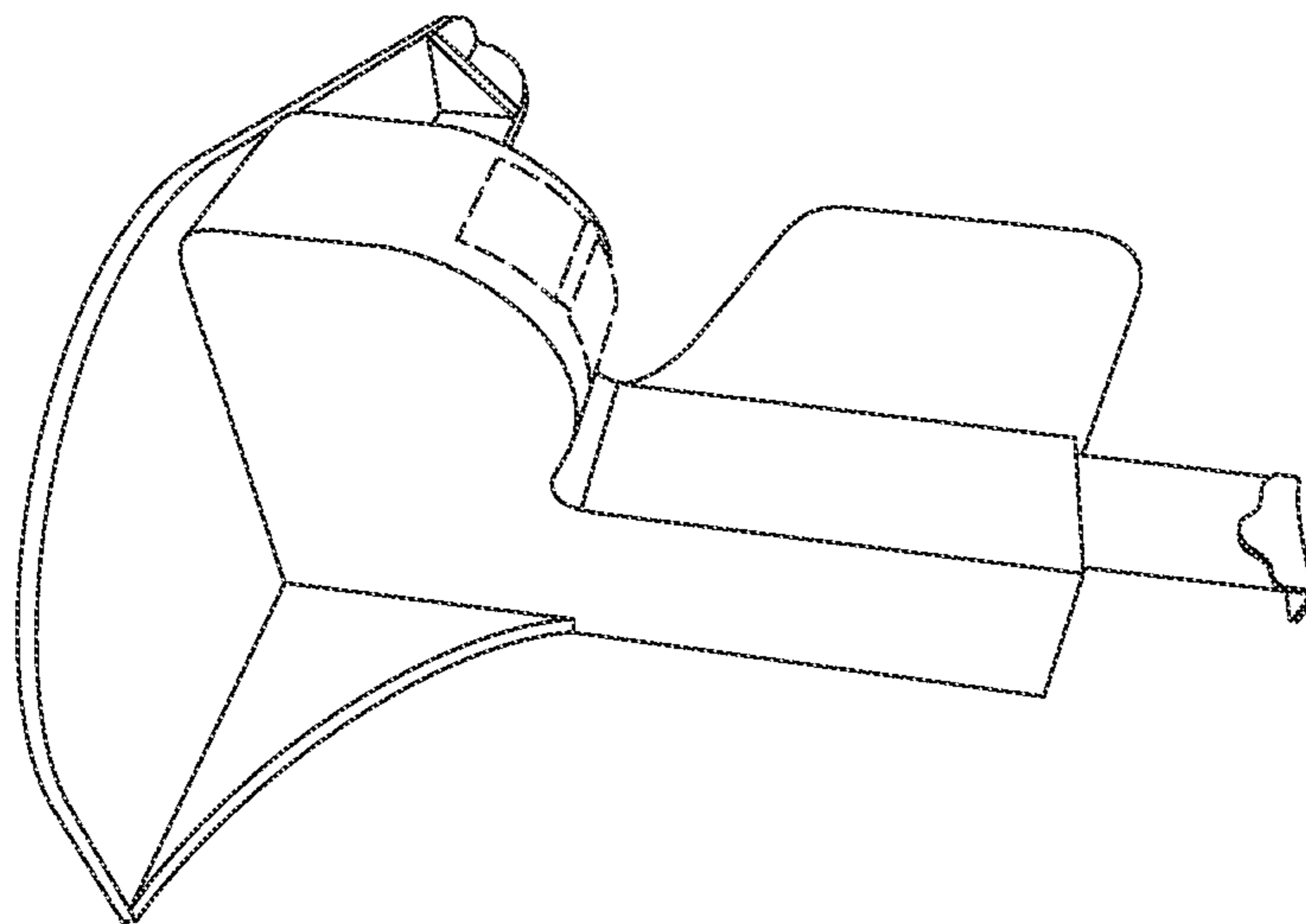


Fig. 2

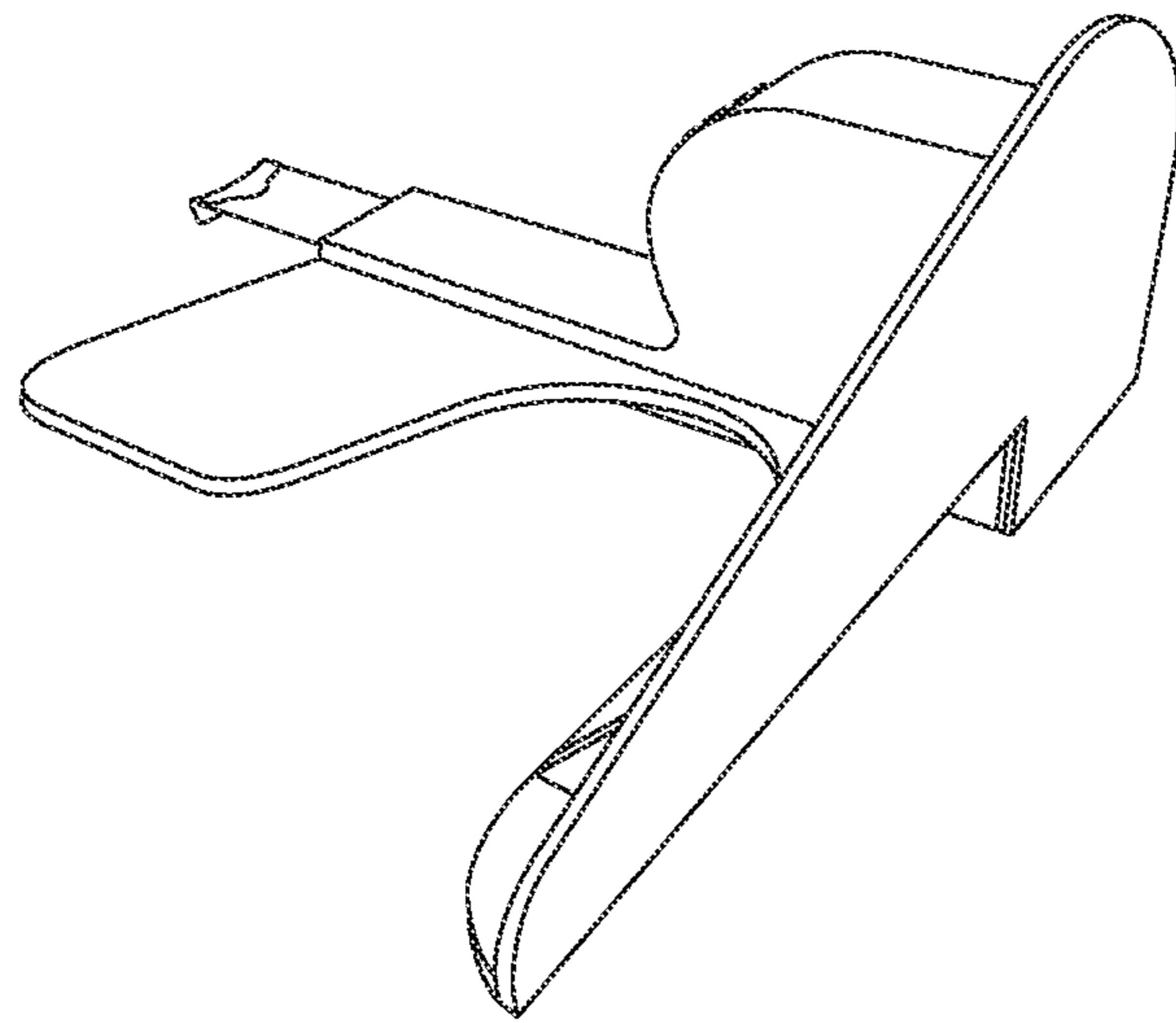


Fig. 3

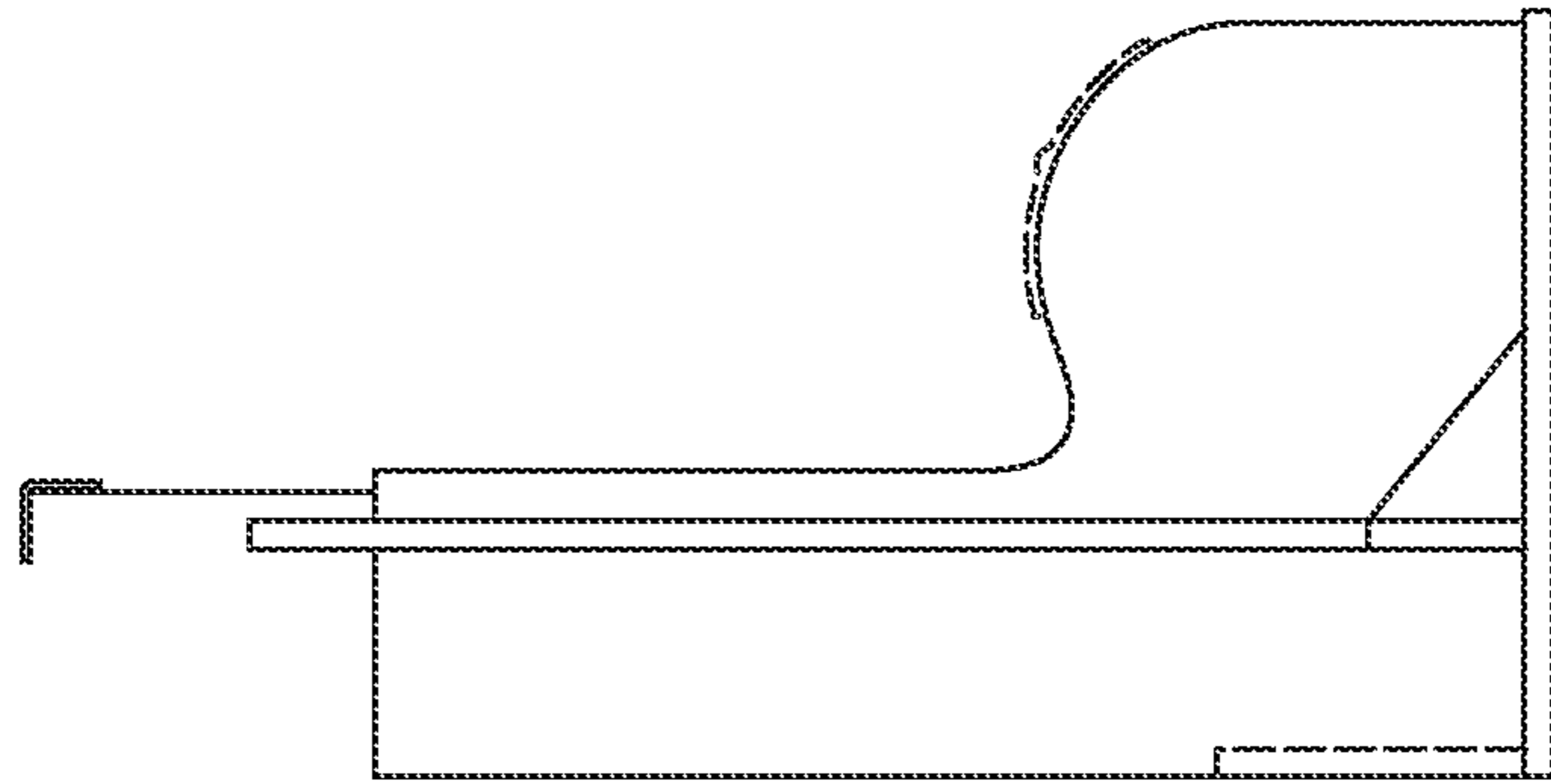


Fig. 4

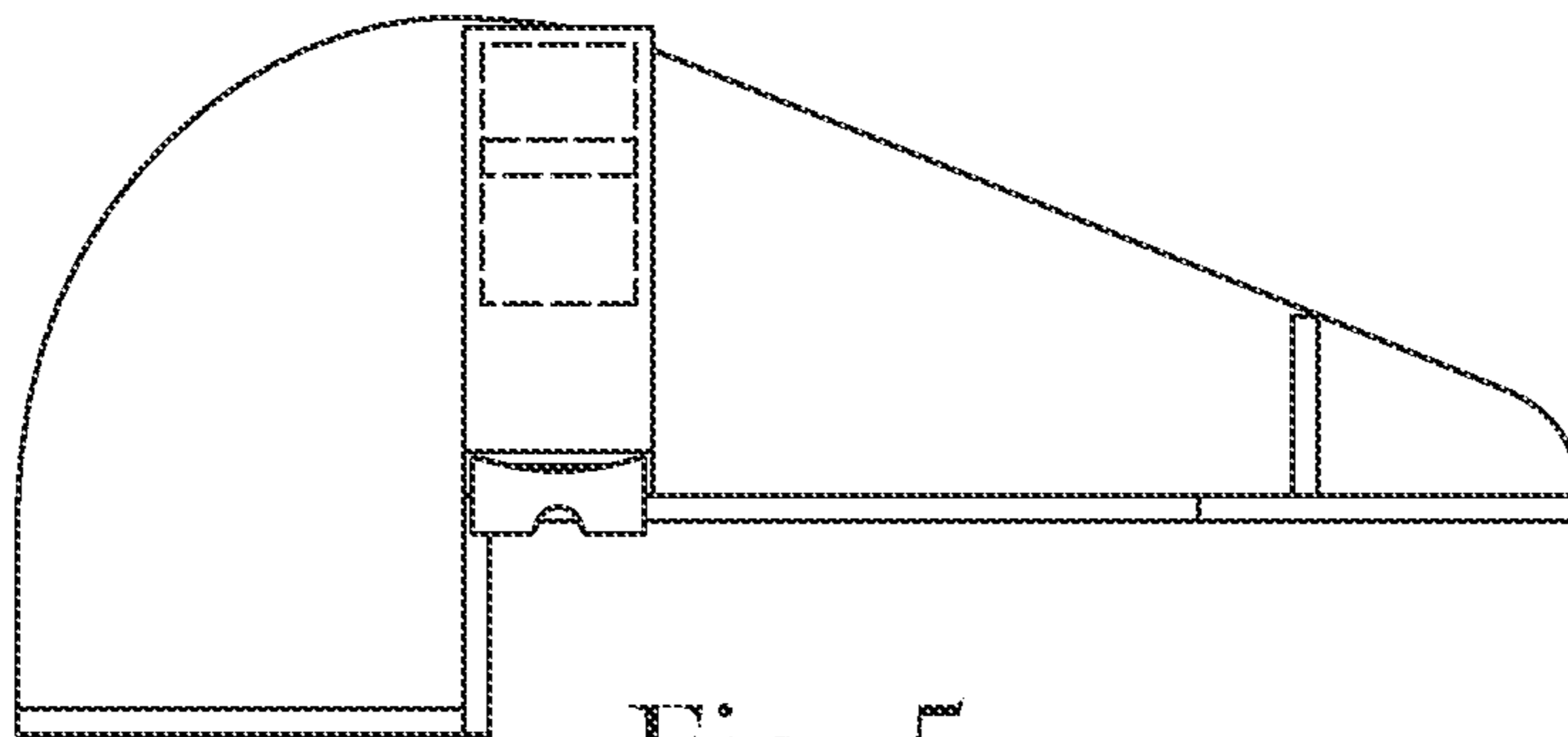


Fig. 5

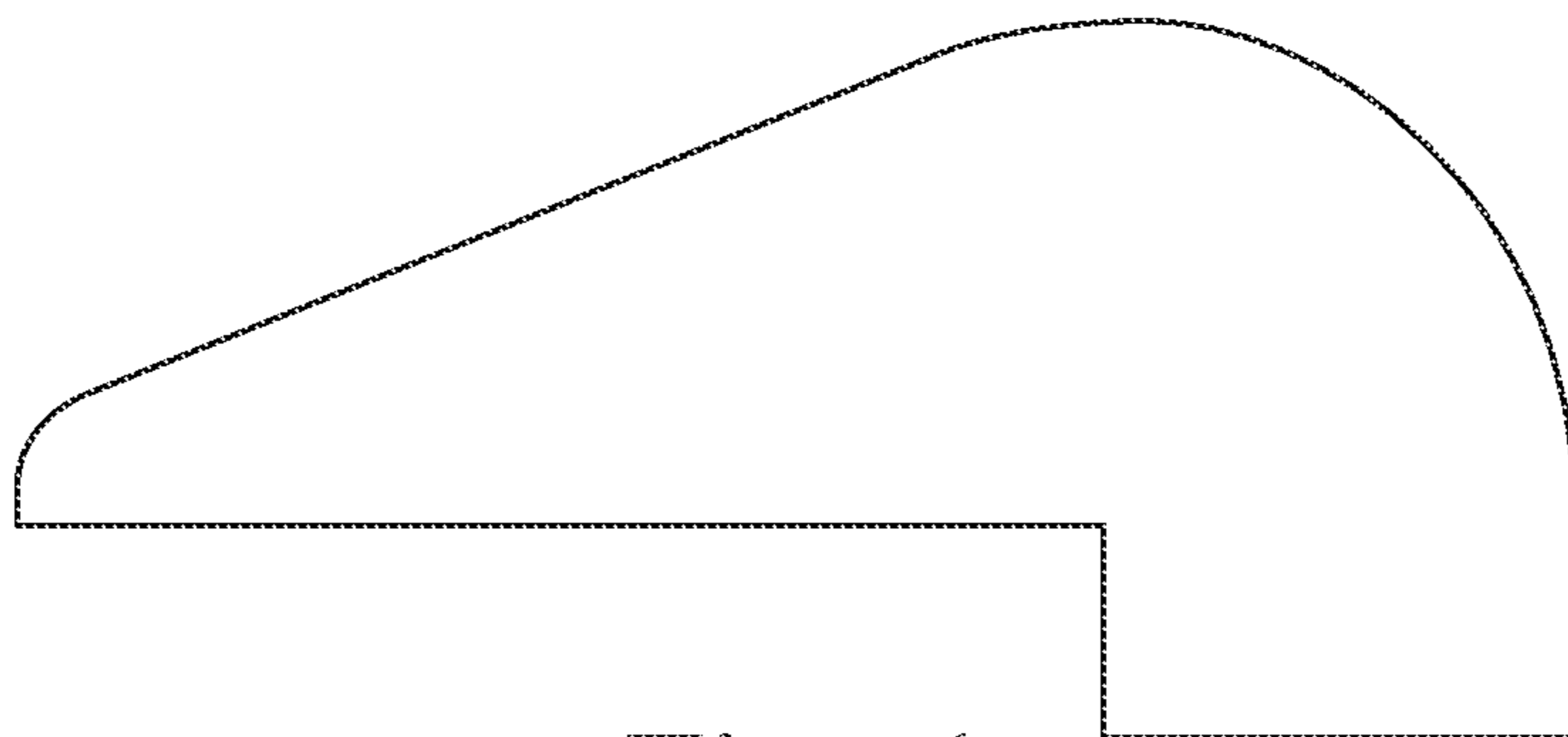


Fig. 6

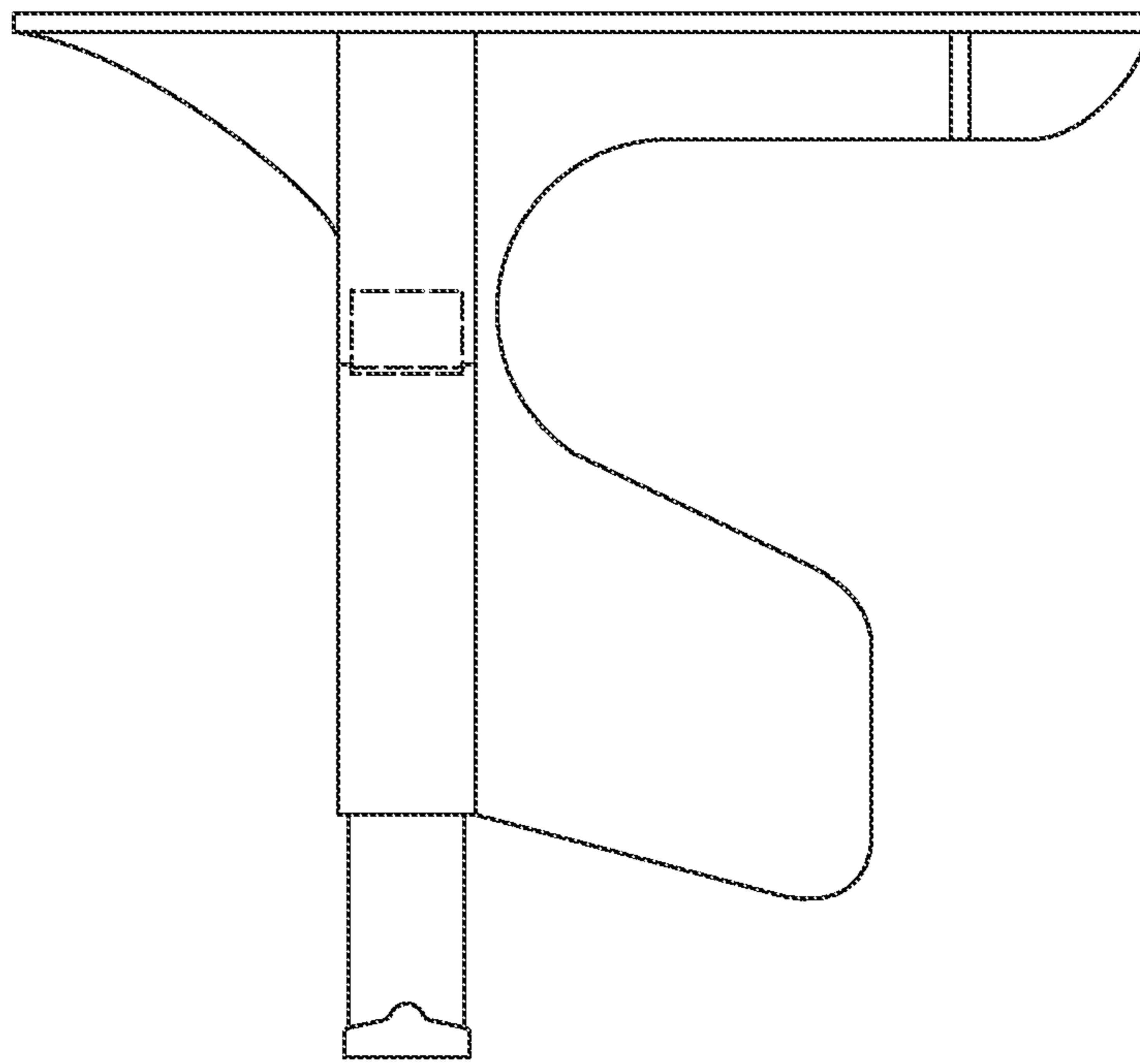


Fig. 7