



US00D691441S

(12) **United States Design Patent**
Hamaguchi

(10) **Patent No.:** **US D691,441 S**

(45) **Date of Patent:** **** Oct. 15, 2013**

(54) **THREAD REPAIR TOOL**

(76) Inventor: **Takashi Hamaguchi**, Okayama (JP)

(**) Term: **14 Years**

(21) Appl. No.: **29/420,569**

(22) Filed: **May 10, 2012**

(51) **LOC (9) Cl.** **08-05**

(52) **U.S. Cl.**
USPC **D8/51**

(58) **Field of Classification Search**

USPC D8/60, 51, 52, 54, 59, 32; 72/370.12,
72/316-322, 300, 352, 381; 29/268, 270,
29/750, 751, 753

See application file for complete search history.

(56) **References Cited**

U.S. PATENT DOCUMENTS

D219,572	S	*	12/1970	Shames	D8/60
4,150,450	A	*	4/1979	Laub et al.	470/209
D431,765	S	*	10/2000	Huang	D8/60
D490,674	S	*	6/2004	Higgs	D8/60
D505,056	S	*	5/2005	Tarpill et al.	D8/98
D569,702	S	*	5/2008	Groten	D8/60

D591,126	S	*	4/2009	Groten	D8/60
7,625,291	B2	*	12/2009	Abraham et al.	470/185
7,887,424	B2	*	2/2011	Abraham et al.	470/185

* cited by examiner

Primary Examiner — Sheryl Lane

(74) *Attorney, Agent, or Firm* — WPAT, P.C.; Anthony King

(57) **CLAIM**

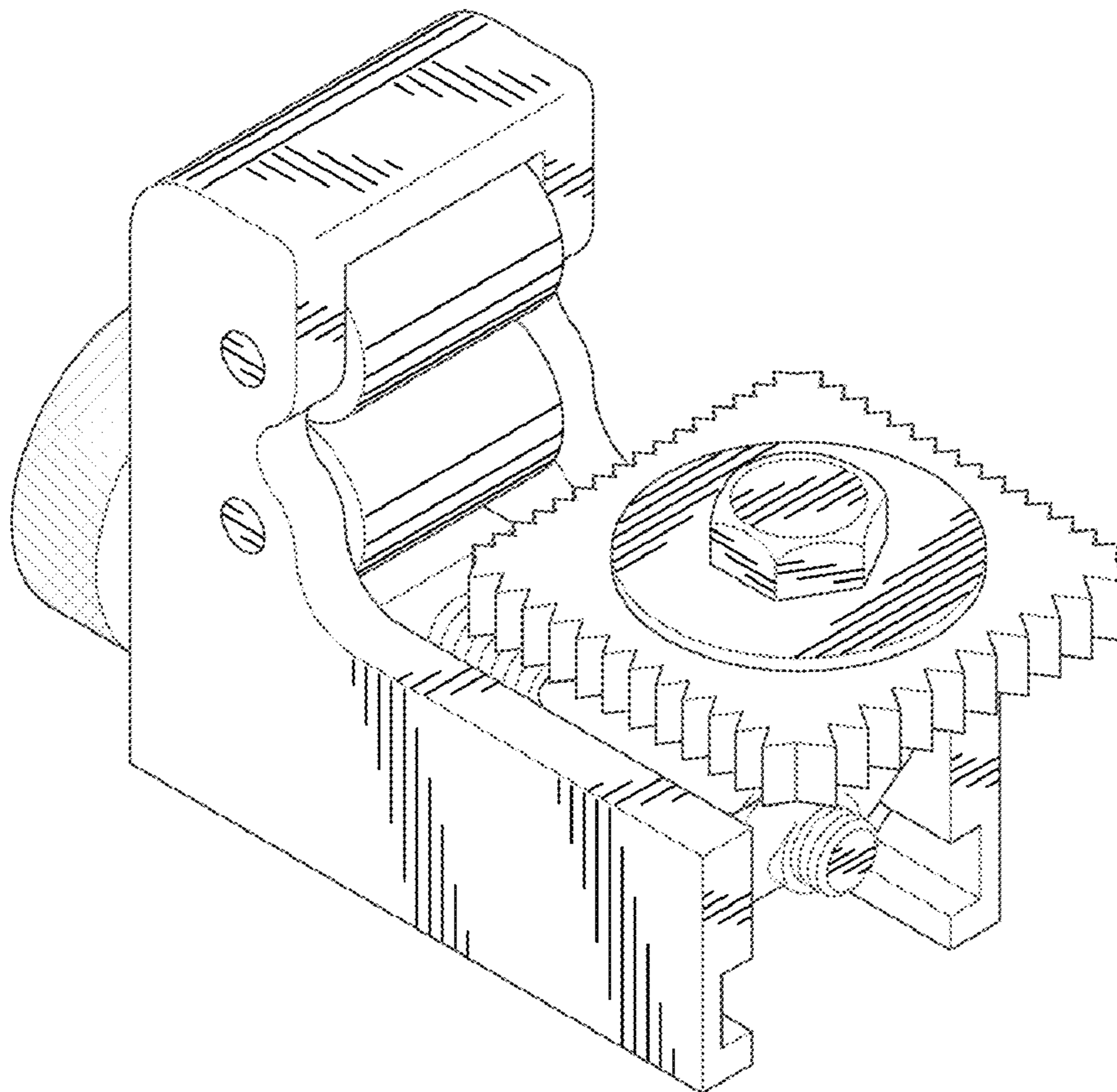
The ornamental design for a thread repair tool, as shown and described.

DESCRIPTION

FIG. 1 is a perspective view of a thread repair tool showing our new design thereof;
FIG. 2 is a front elevational view thereof;
FIG. 3 is a rear elevational view thereof;
FIG. 4 is a left side elevational view thereof;
FIG. 5 is a right side elevational view thereof;
FIG. 6 is a top plan view thereof; and,
FIG. 7 is a bottom plan view thereof.

The broken line portion of the figure drawings is included to show unclaimed subject matter only and forms no part of the claimed design.

1 Claim, 4 Drawing Sheets



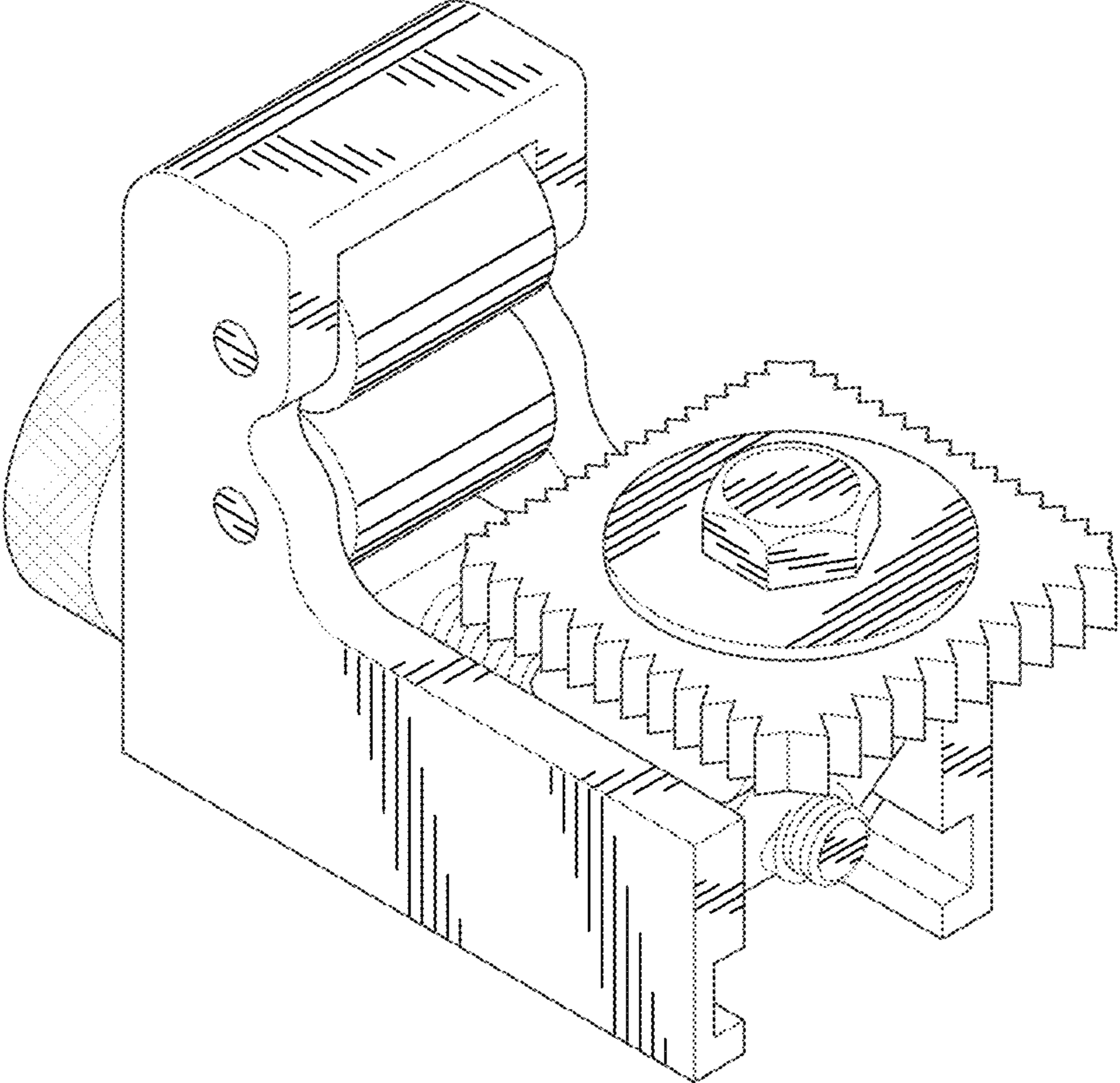


FIG. 1

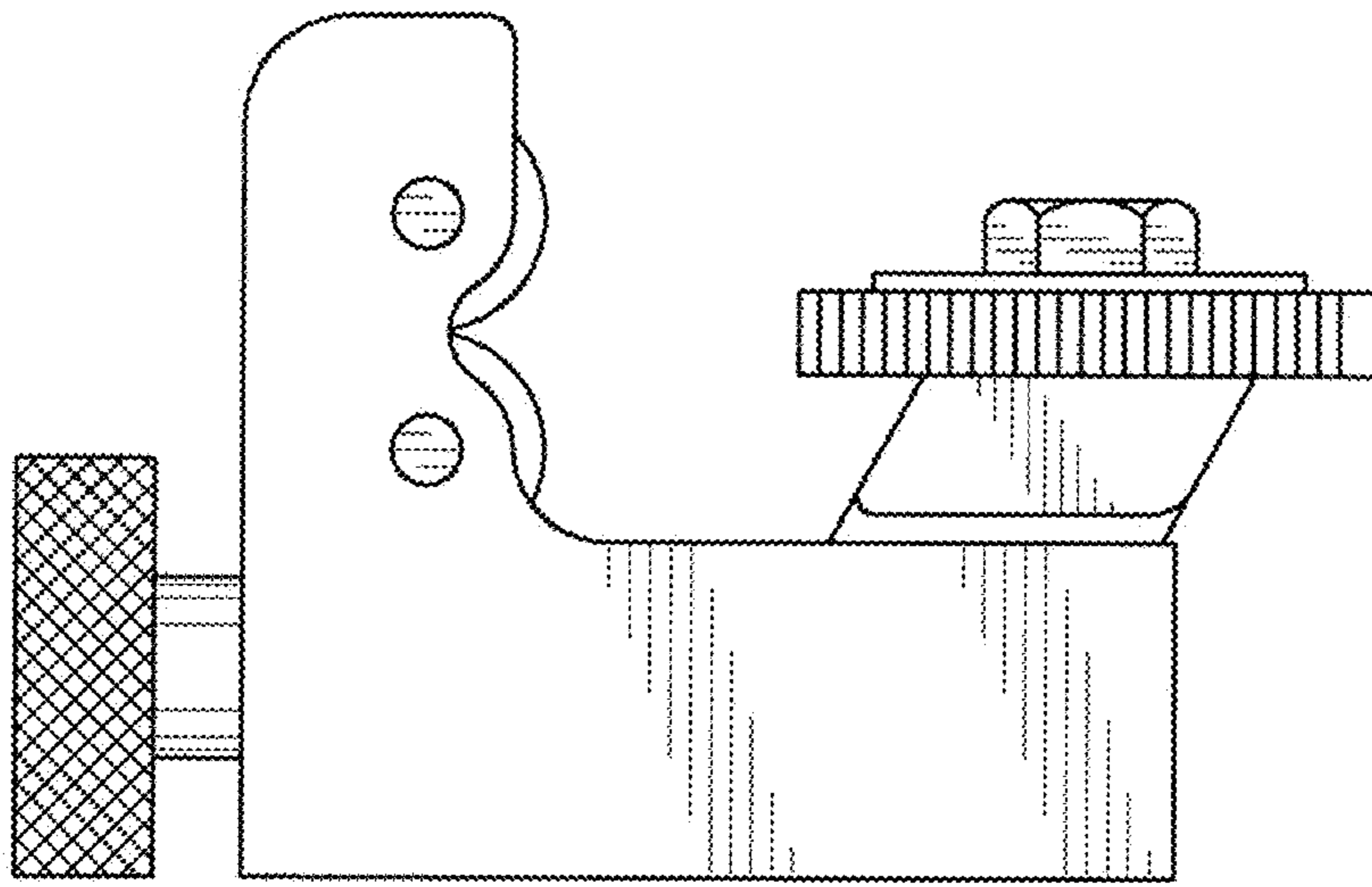


FIG. 2

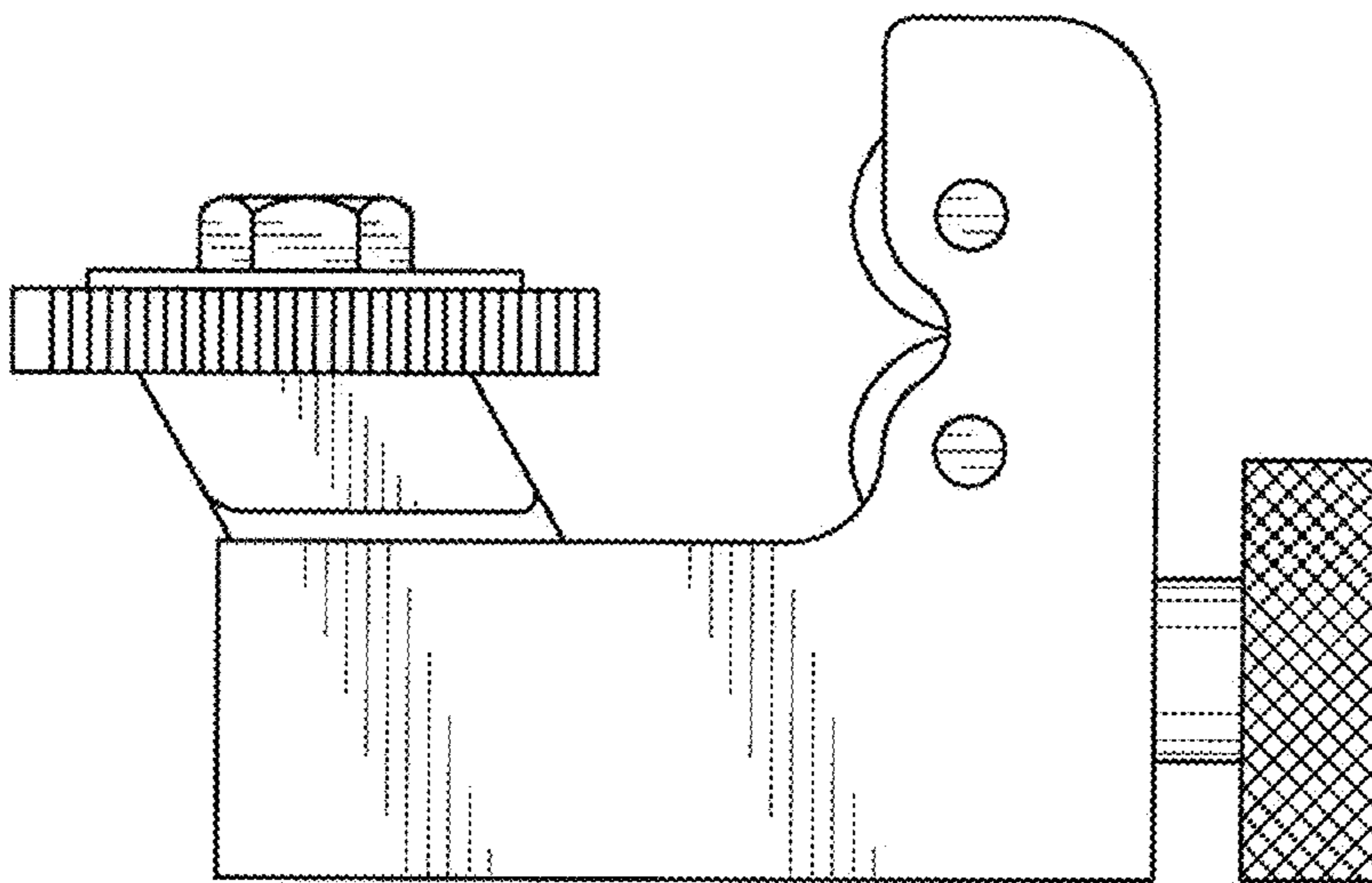


FIG. 3

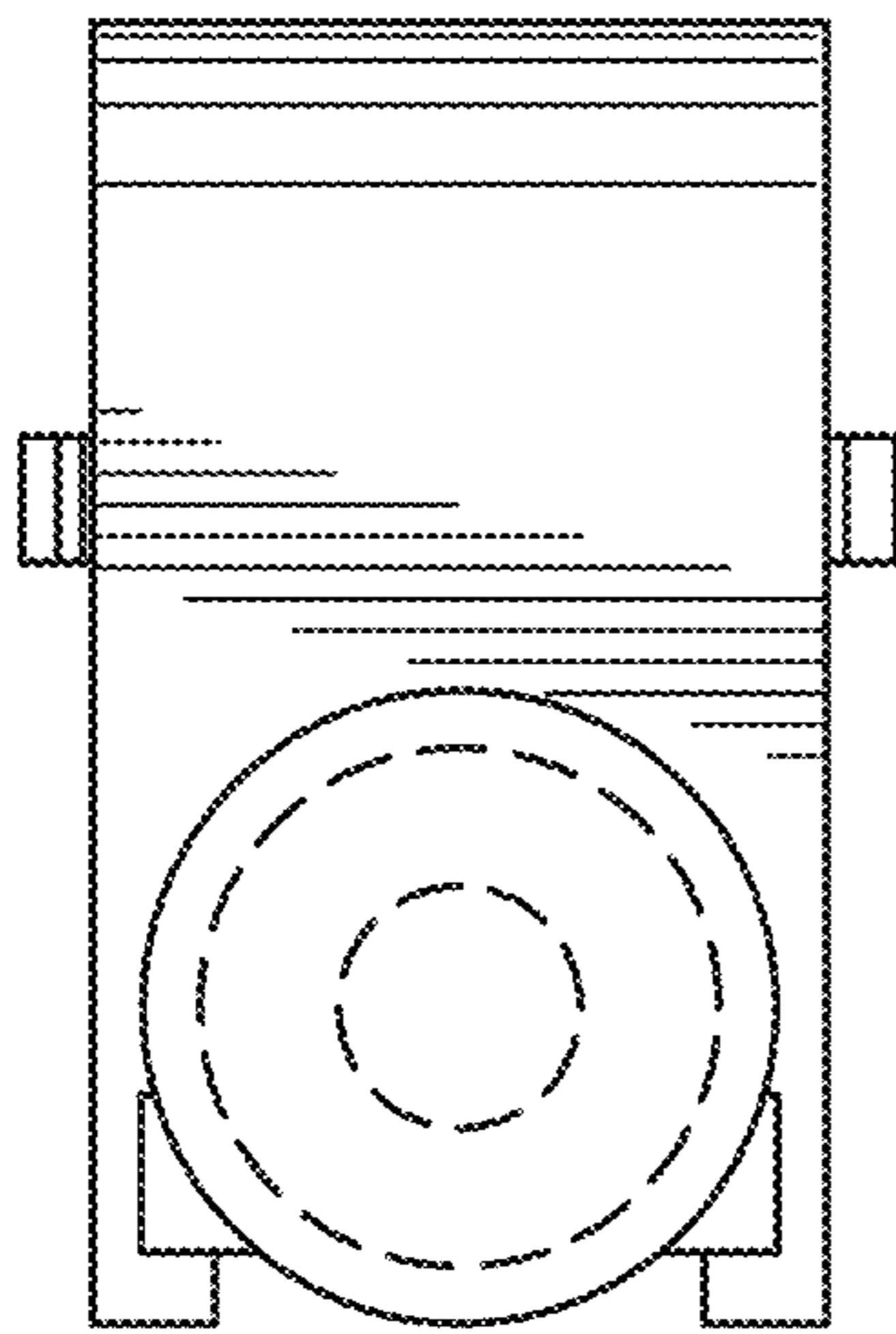


FIG. 4

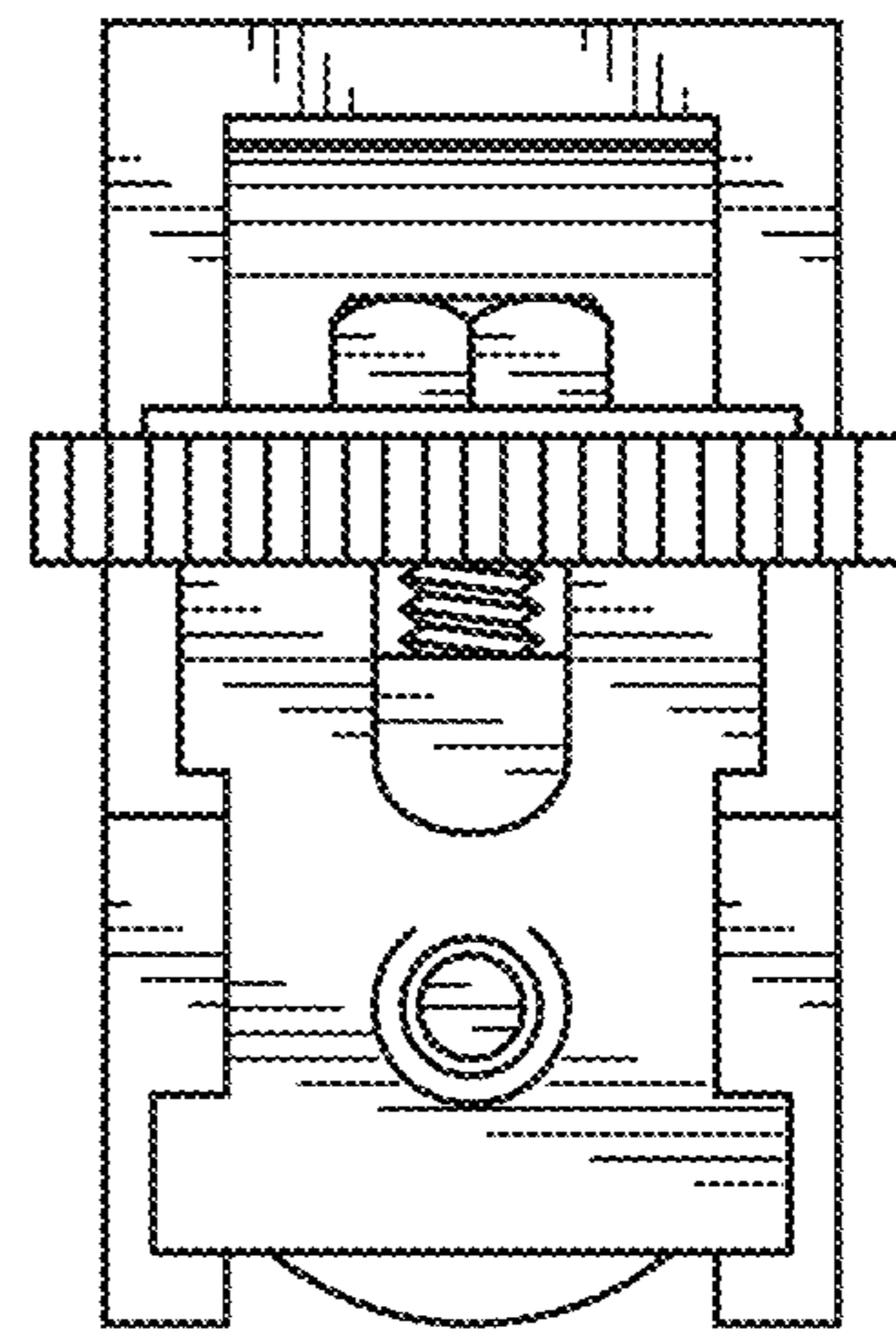


FIG. 5

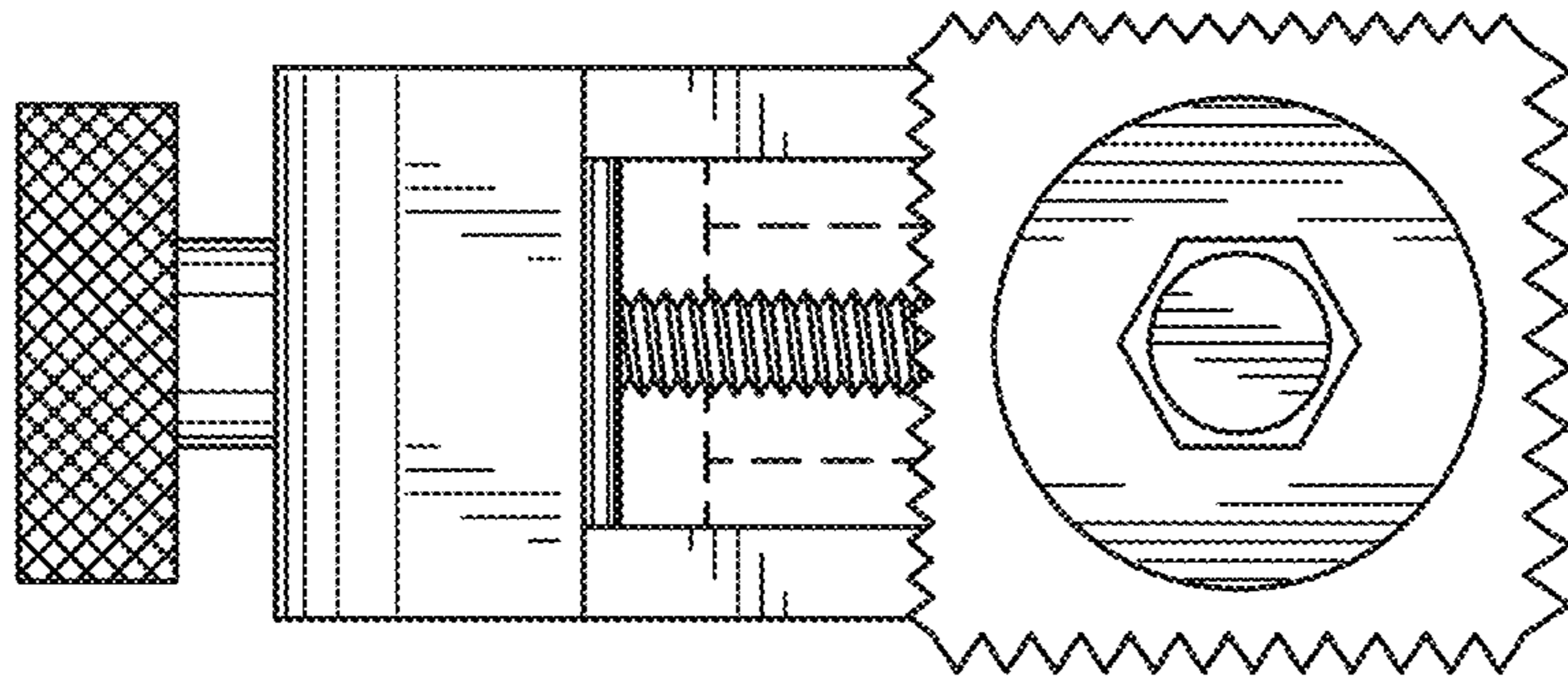


FIG. 6

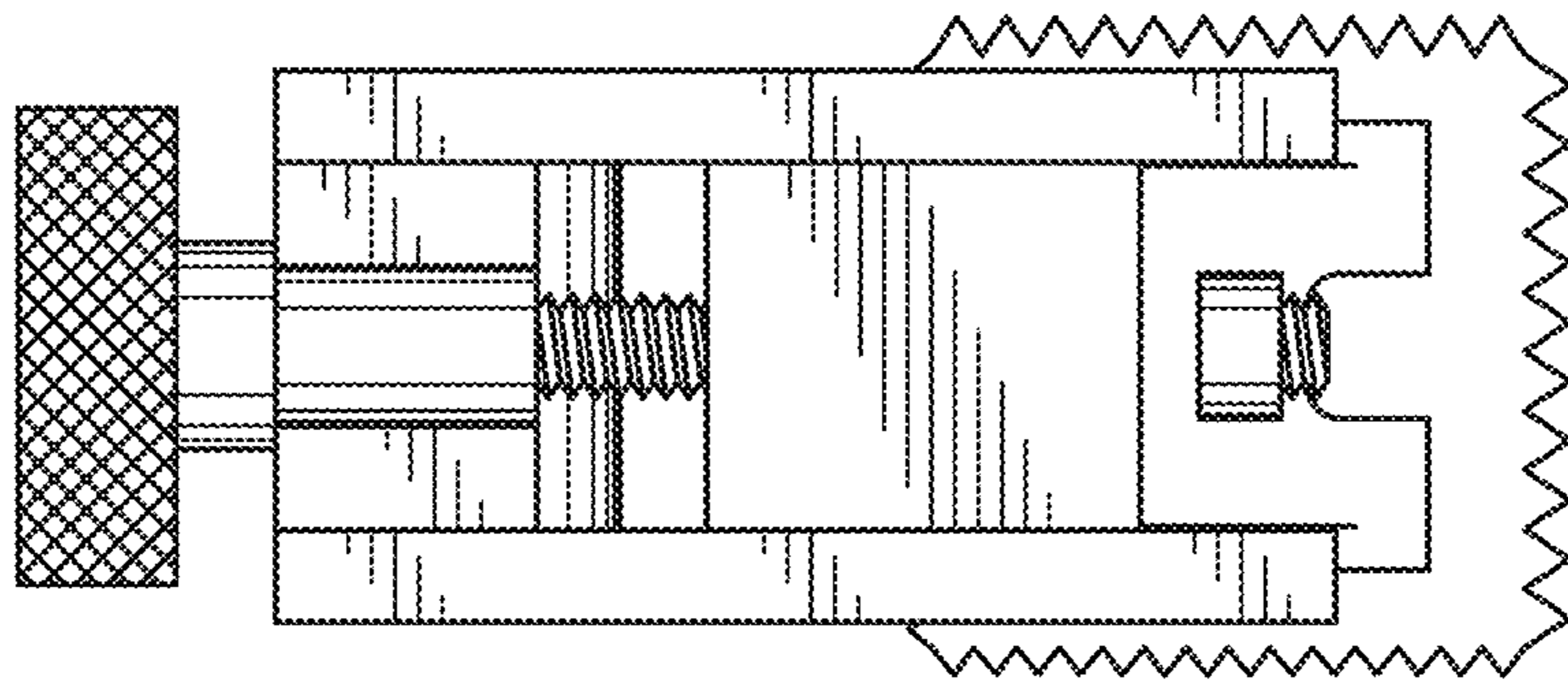


FIG. 7