



US00D691440S

(12) **United States Design Patent**  
**Yagi et al.**

(10) **Patent No.:** **US D691,440 S**

(45) **Date of Patent:** **\*\* Oct. 15, 2013**

(54) **STAPLE CARTRIDGE**

(71) Applicant: **Max Co., Ltd.**, Tokyo (JP)

(72) Inventors: **Nobuaki Yagi**, Tokyo (JP); **Futoshi Kameda**, Tokyo (JP)

(73) Assignee: **Max Co., Ltd.**, Tokyo (JP)

(\*\*) Term: **14 Years**

(21) Appl. No.: **29/444,019**

(22) Filed: **Jan. 25, 2013**

(30) **Foreign Application Priority Data**

Jul. 27, 2012 (JP) ..... 2012-017991

(51) **LOC (9) Cl.** ..... **19-02**

(52) **U.S. Cl.**  
USPC ..... **D8/49**

(58) **Field of Classification Search**  
USPC ..... D8/49, 50, 61, 68, 69; D19/72, 73, 65,  
D19/69; D21/532; D24/145; 7/158, 160;  
227/4, 5, 6, 7, 8, 120, 127, 128, 131,  
227/132, 134, 144, 156, 119, 155, 82;  
606/139, 143, 153, 219

See application file for complete search history.

(56) **References Cited**

**U.S. PATENT DOCUMENTS**

D280,070 S \* 8/1985 Olesen et al. .... D8/49  
6,557,744 B2 \* 5/2003 Kitamura ..... 227/119  
6,902,094 B2 \* 6/2005 Mochizuki et al. .... 227/155  
D507,729 S \* 7/2005 Kishi et al. .... D8/49  
D512,889 S \* 12/2005 Miwa et al. .... D8/49  
D593,824 S \* 6/2009 Yagi ..... D8/49  
7,571,842 B2 \* 8/2009 Kishi et al. .... 227/120  
7,721,929 B2 \* 5/2010 Yoshie ..... 227/120  
7,900,804 B2 \* 3/2011 Hakozaiki et al. .... 227/120

8,006,882 B2 \* 8/2011 Kameda et al. .... 227/120  
8,360,291 B2 \* 1/2013 Kameda ..... 227/120  
2001/0035448 A1 \* 11/2001 Kitamura ..... 227/119  
2008/0135597 A1 \* 6/2008 Kishi et al. .... 227/120  
2010/0301092 A1 \* 12/2010 Kameda ..... 227/136

\* cited by examiner

*Primary Examiner* — Austin Murphy

(74) *Attorney, Agent, or Firm* — Drinker Biddle & Reath LLP

(57) **CLAIM**

The ornamental design for a staple cartridge, as shown and described.

**DESCRIPTION**

FIG. 1 is a perspective view of the front, top and left side of a staple cartridge of a first embodiment showing our new design;

FIG. 2 is a perspective view of the rear, top and right side thereof;

FIG. 3 is a front view thereof;

FIG. 4 is a rear view thereof;

FIG. 5 is a left side view thereof;

FIG. 6 is a right side view thereof;

FIG. 7 is a top view thereof;

FIG. 8 is a bottom view thereof;

FIG. 9 is a perspective view of the front, top and left side of a staple cartridge of a second embodiment showing our new design;

FIG. 10 is a perspective view of the rear, top and right side thereof;

FIG. 11 is a front view thereof;

FIG. 12 is a rear view thereof;

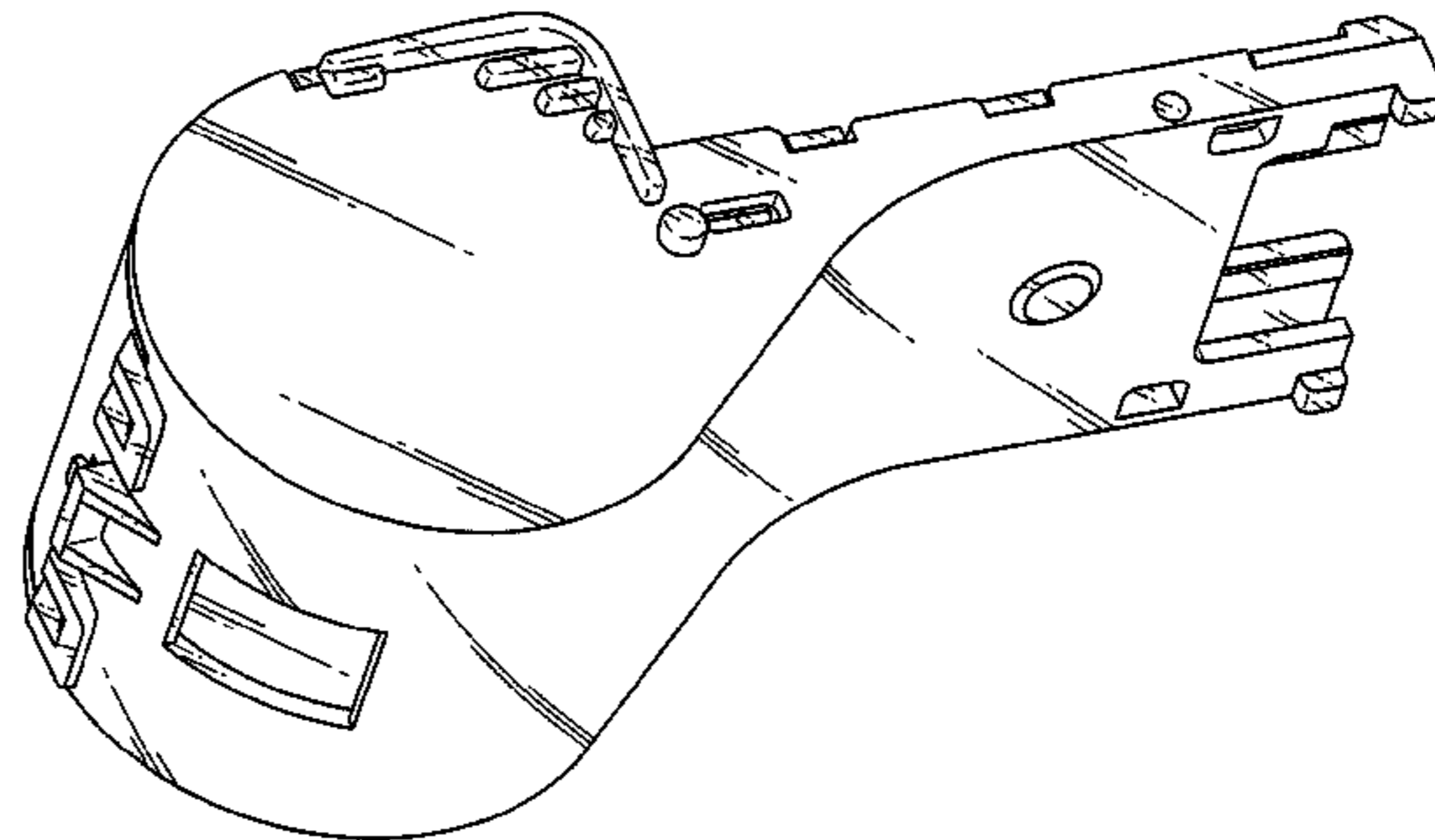
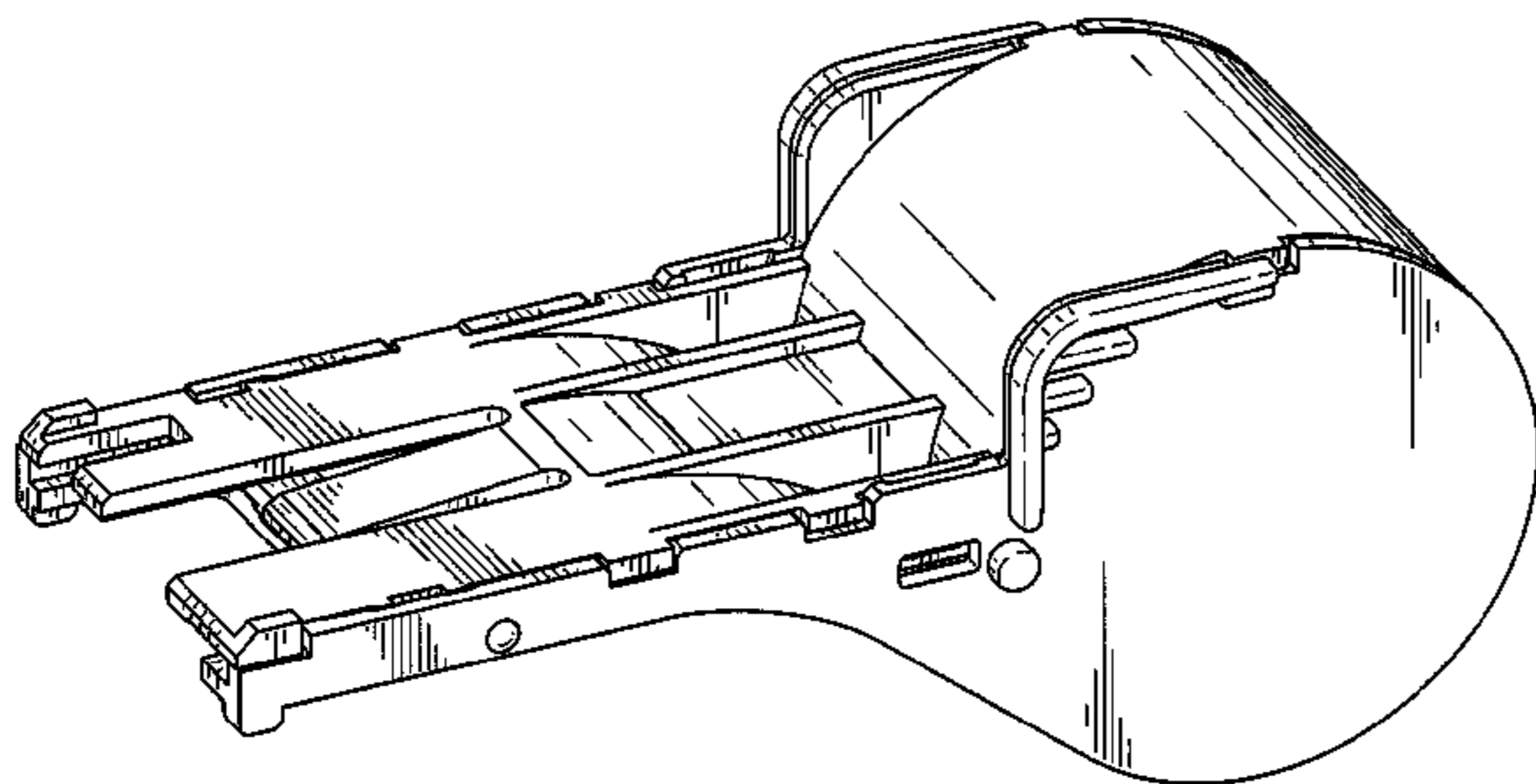
FIG. 13 is a left side view thereof;

FIG. 14 is a right side view thereof;

FIG. 15 is a top view thereof; and,

FIG. 16 is a bottom view thereof.

**1 Claim, 8 Drawing Sheets**



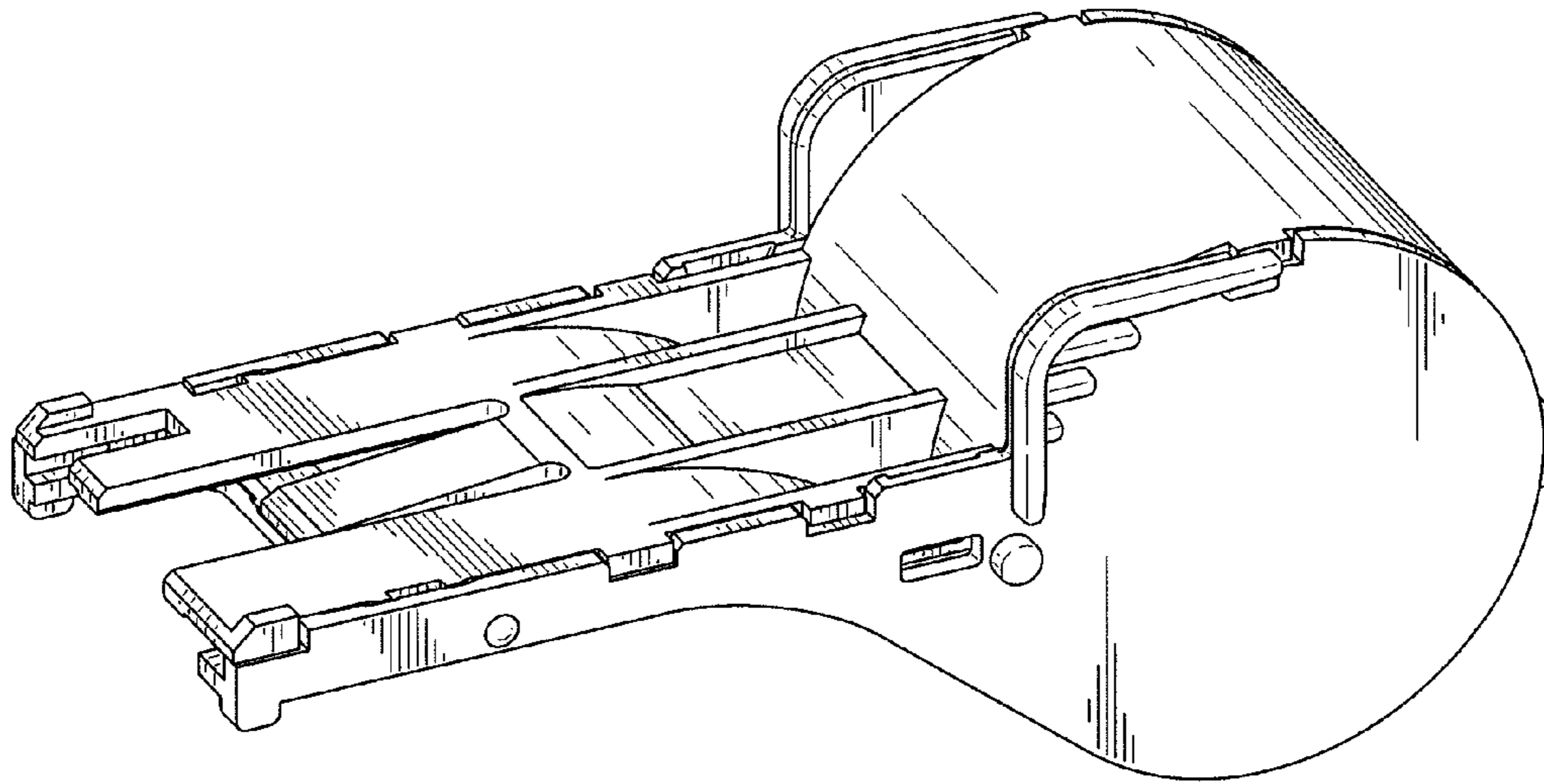


FIG. 1

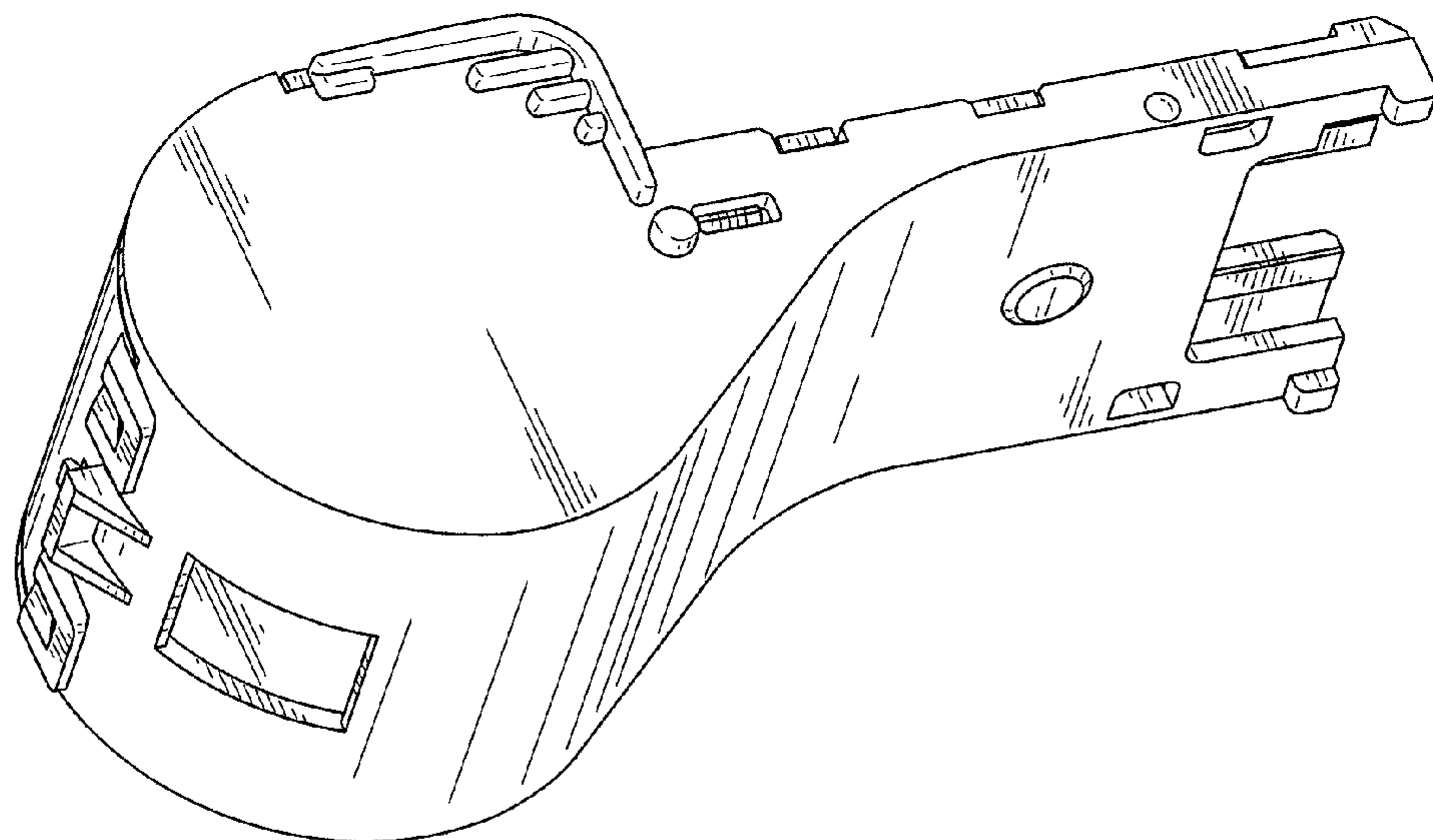


FIG. 2

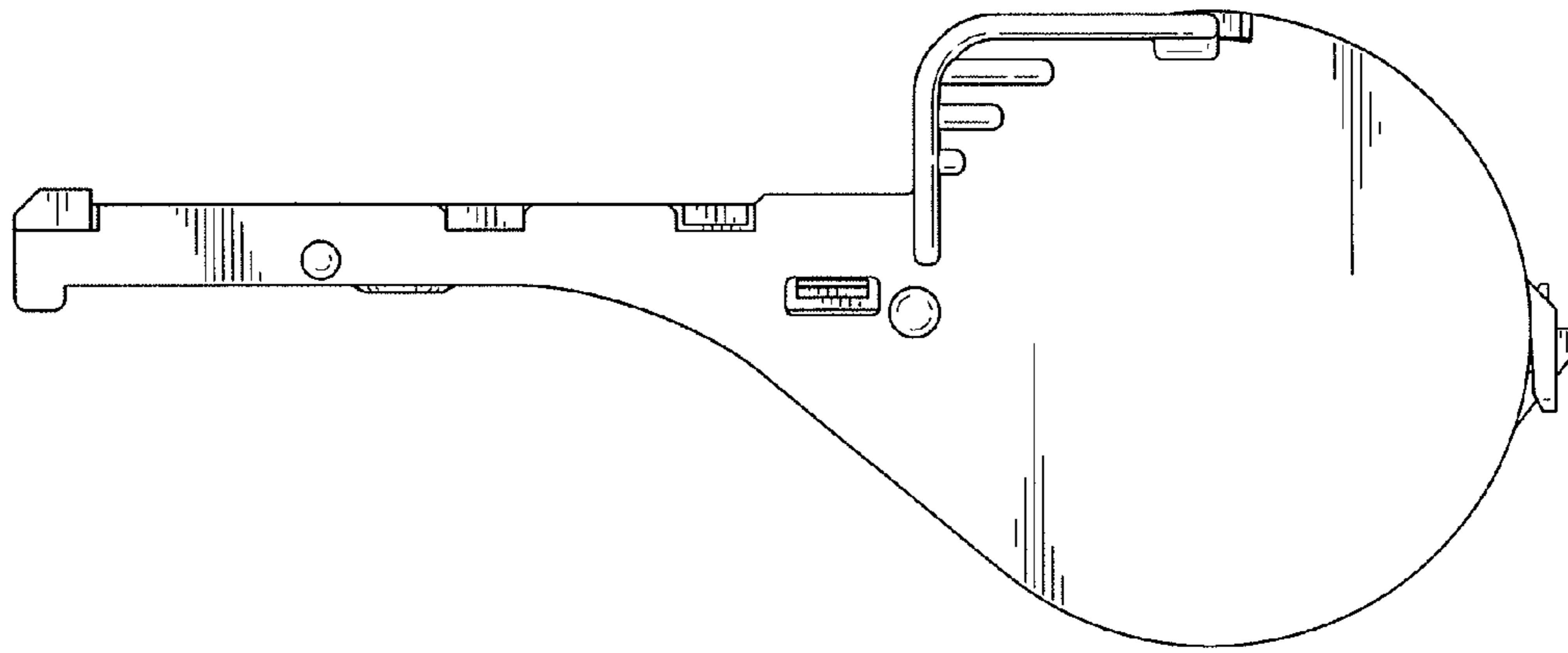


FIG. 3

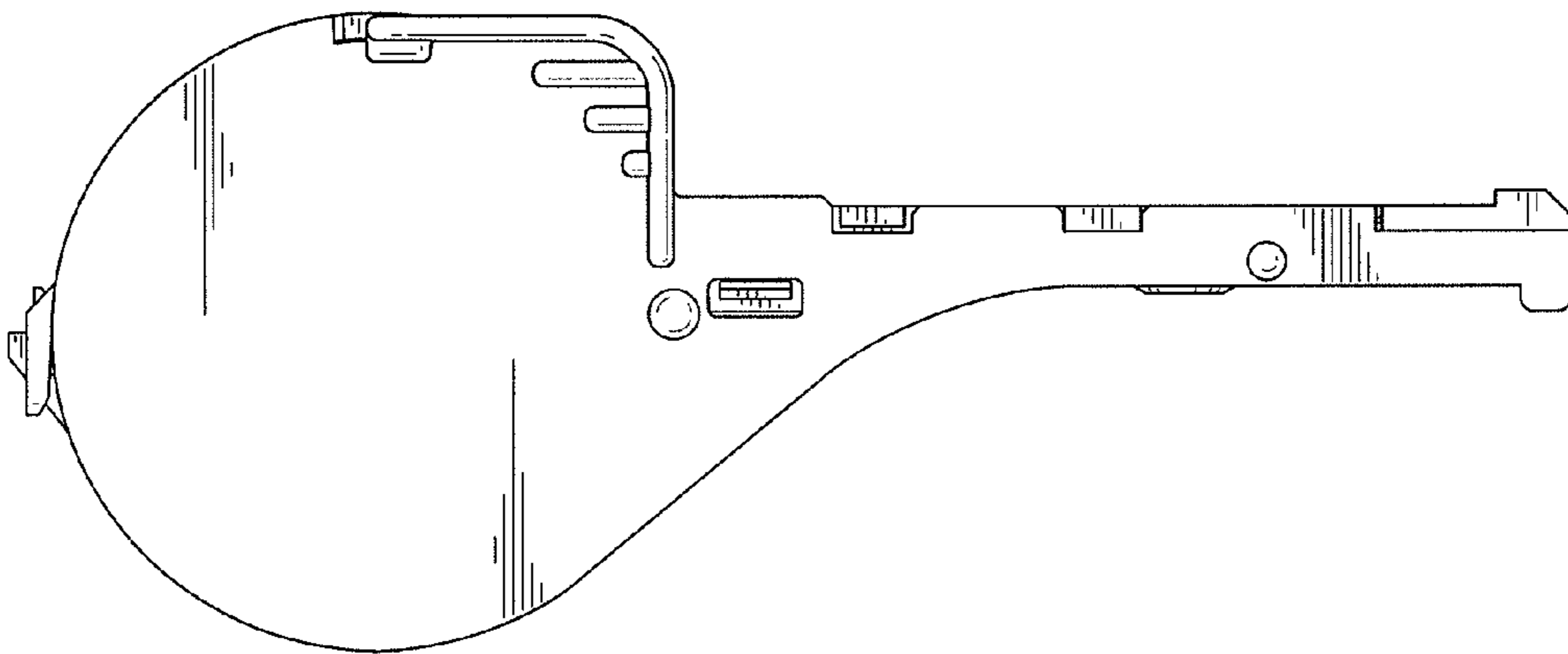
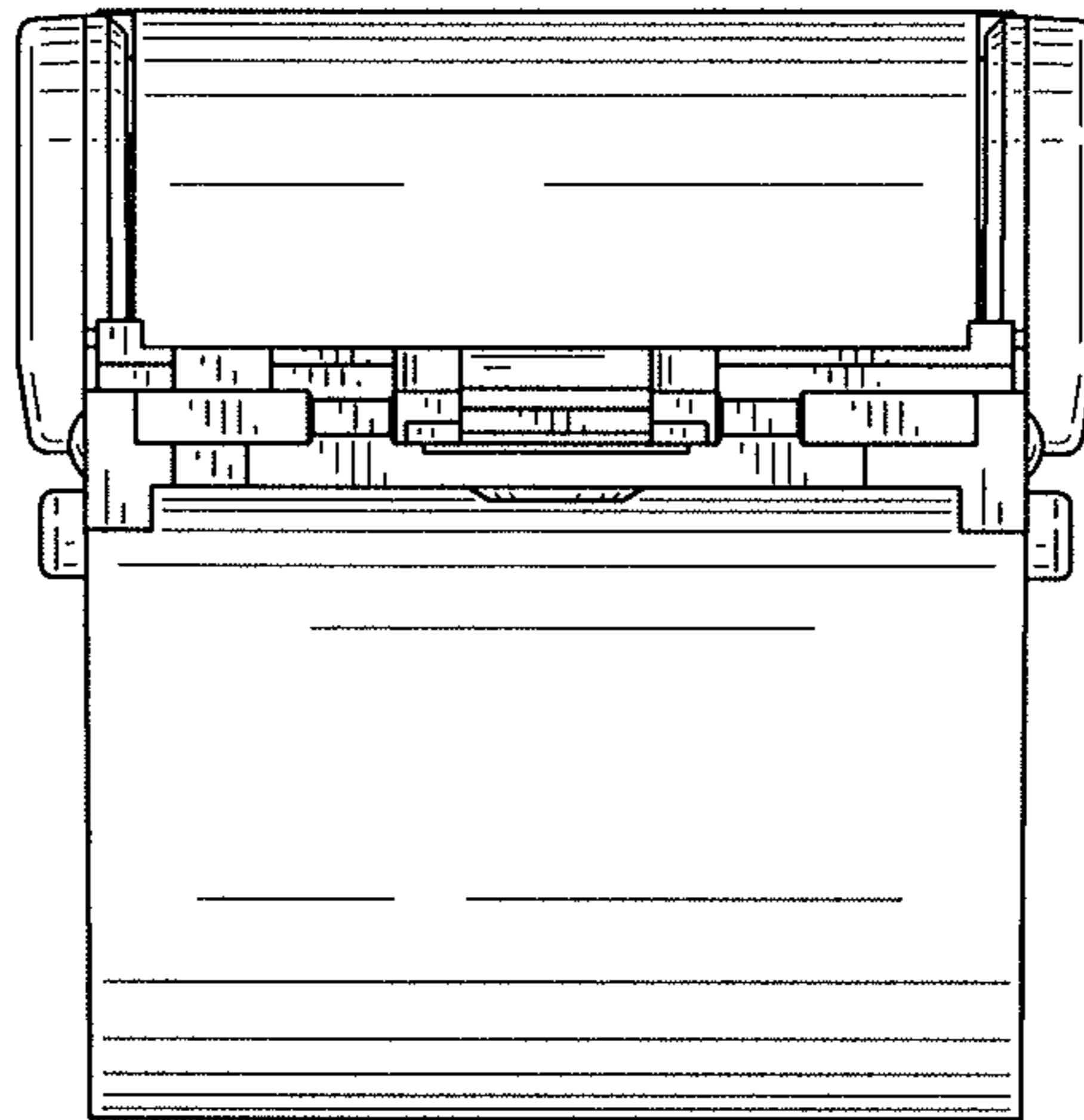
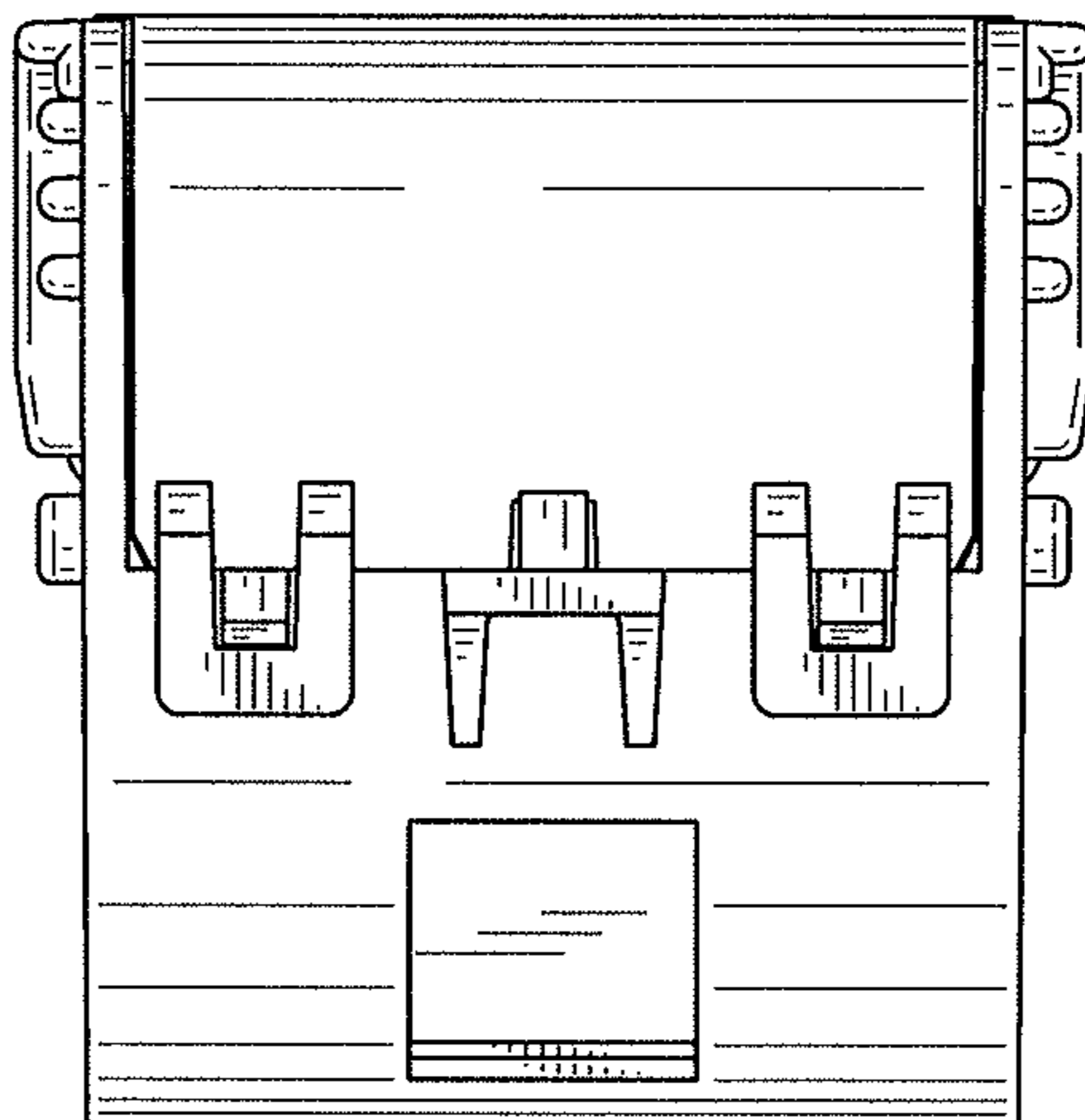


FIG. 4



*FIG. 5*



*FIG. 6*

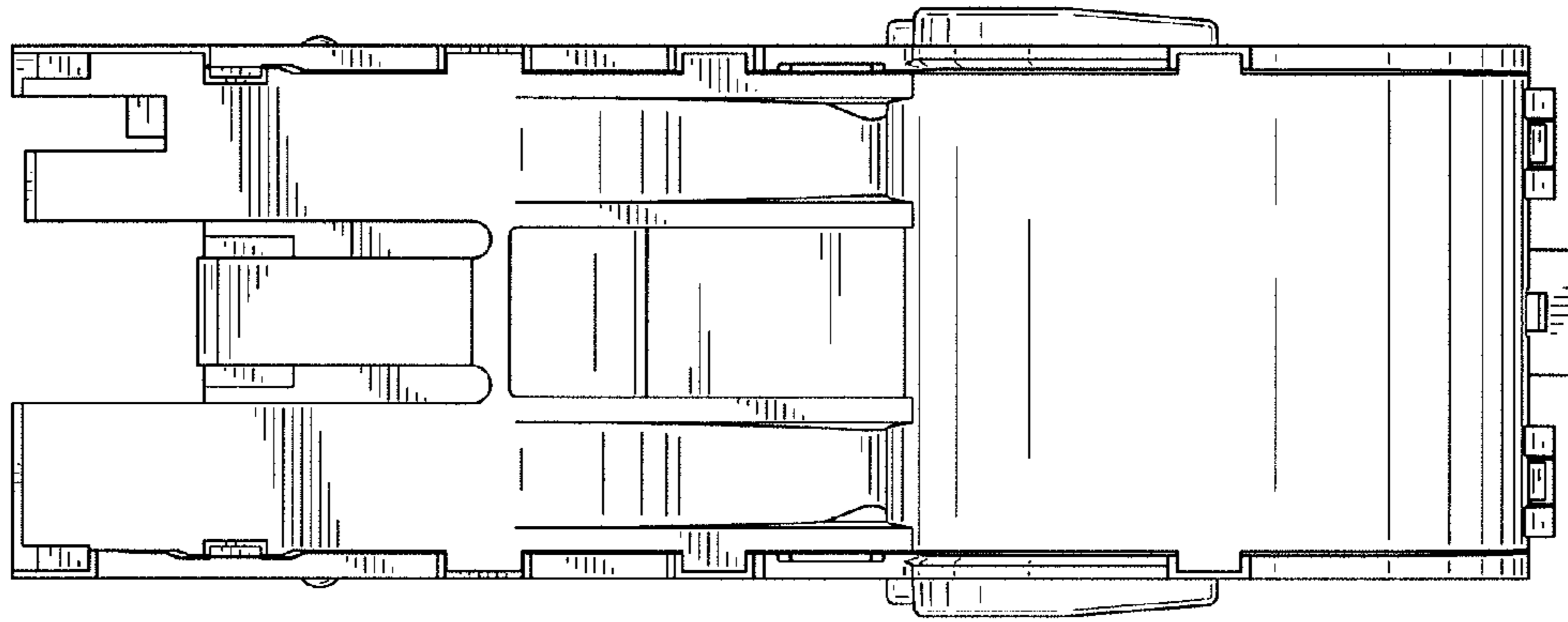


FIG. 7

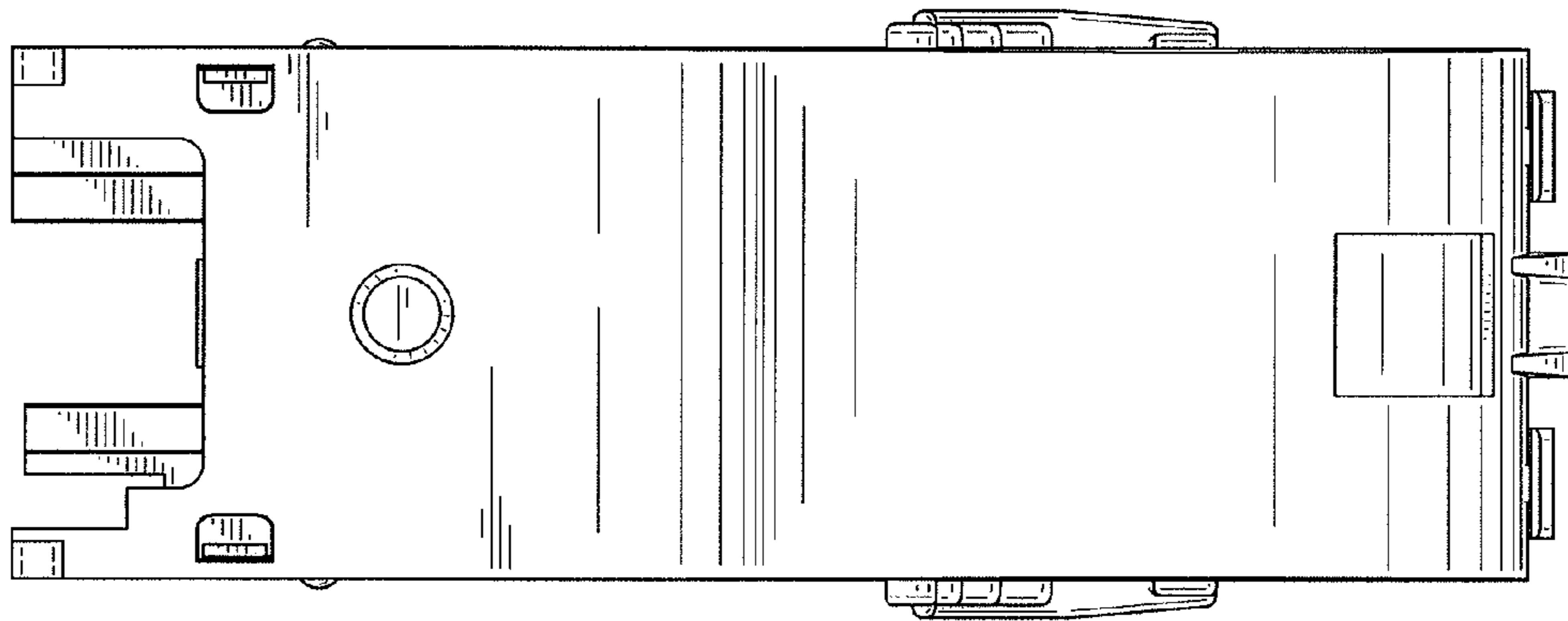


FIG. 8

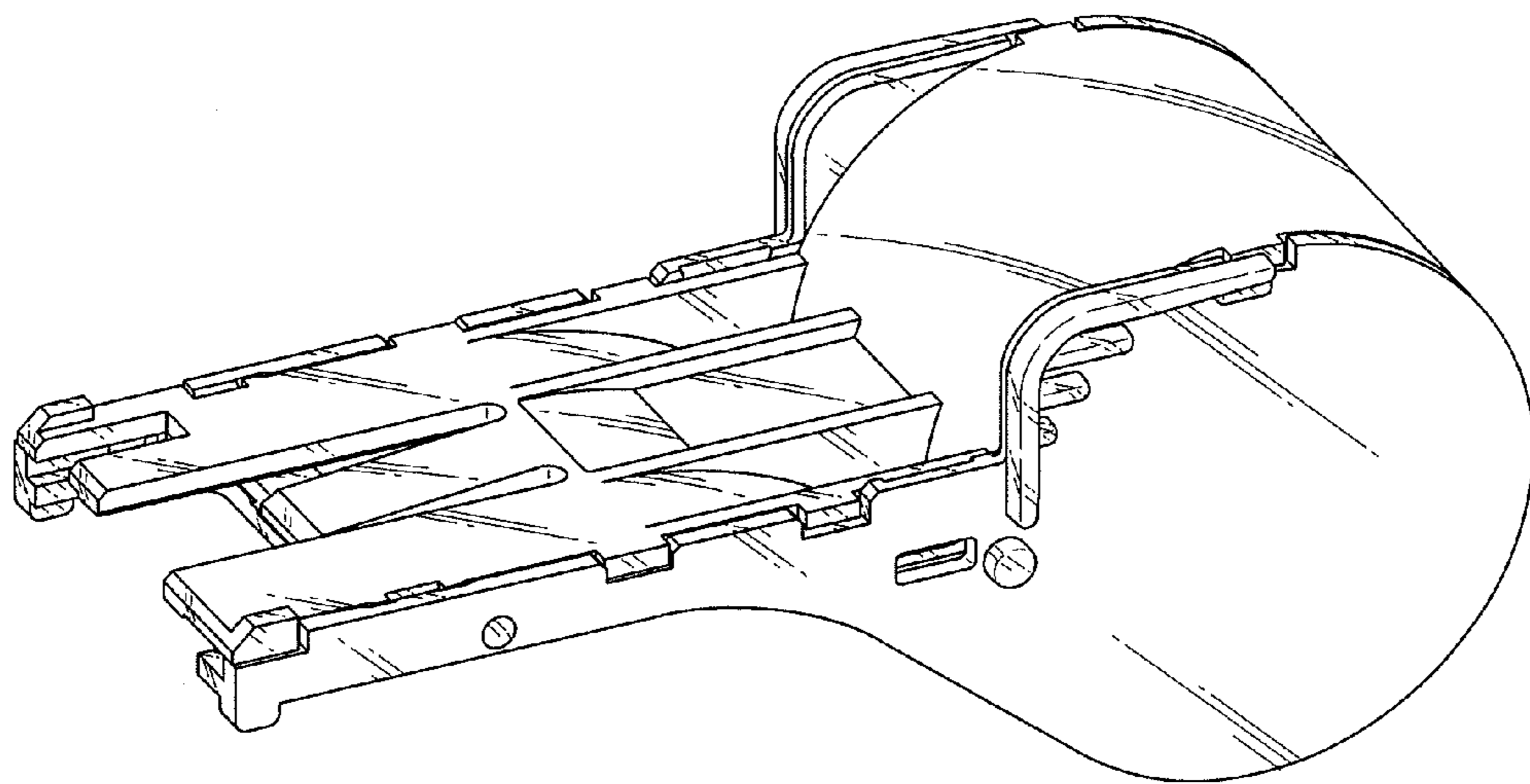


FIG. 9

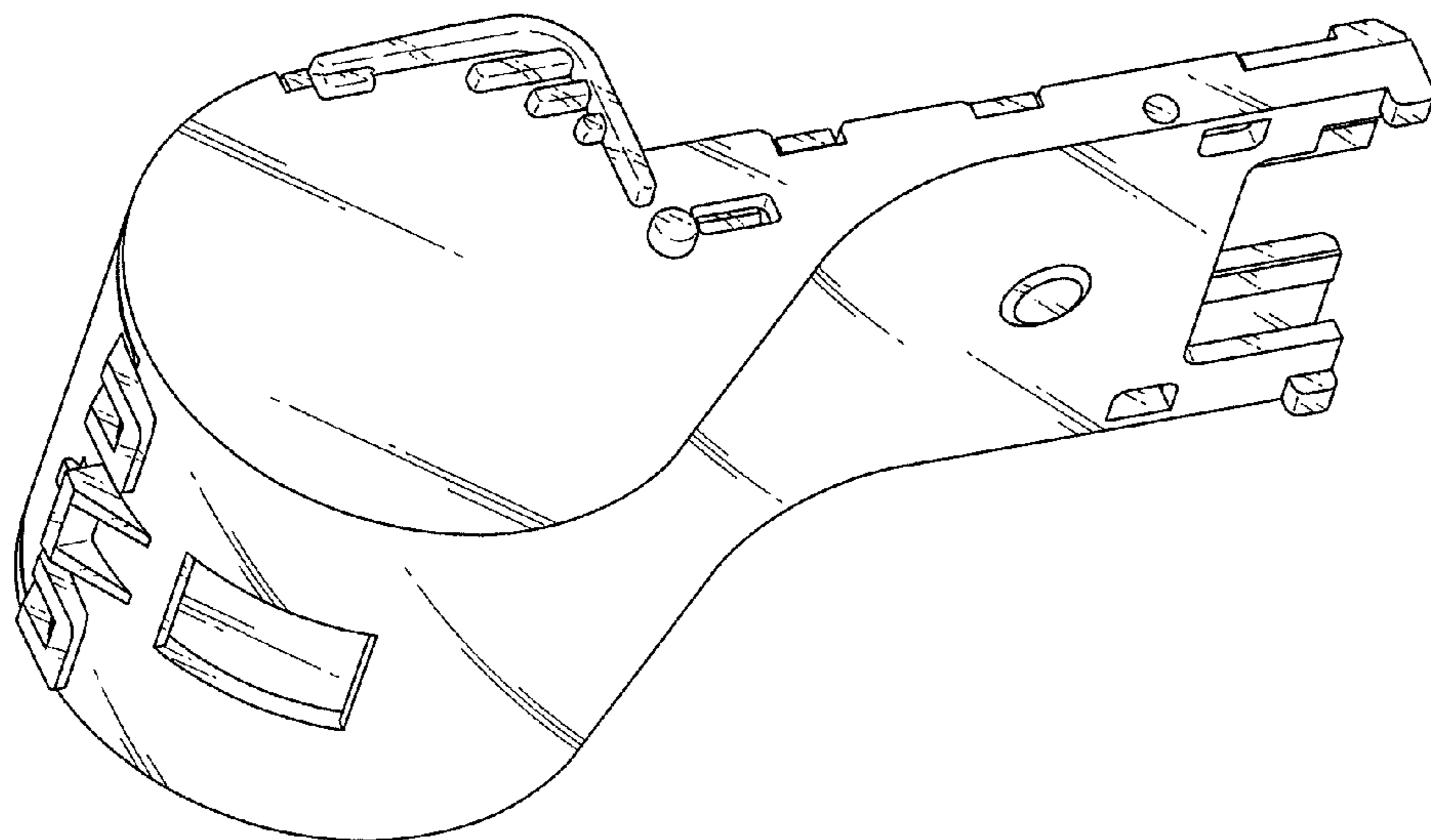


FIG. 10

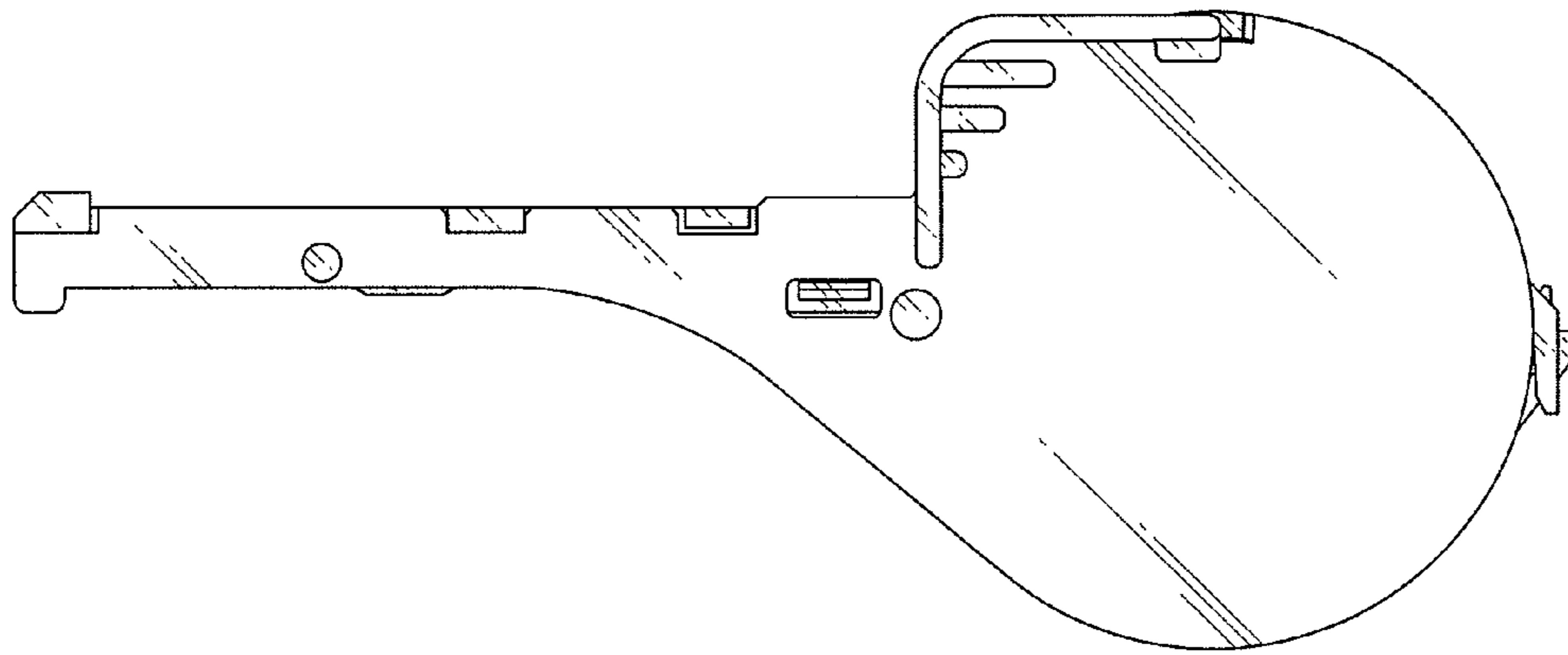


FIG. 11

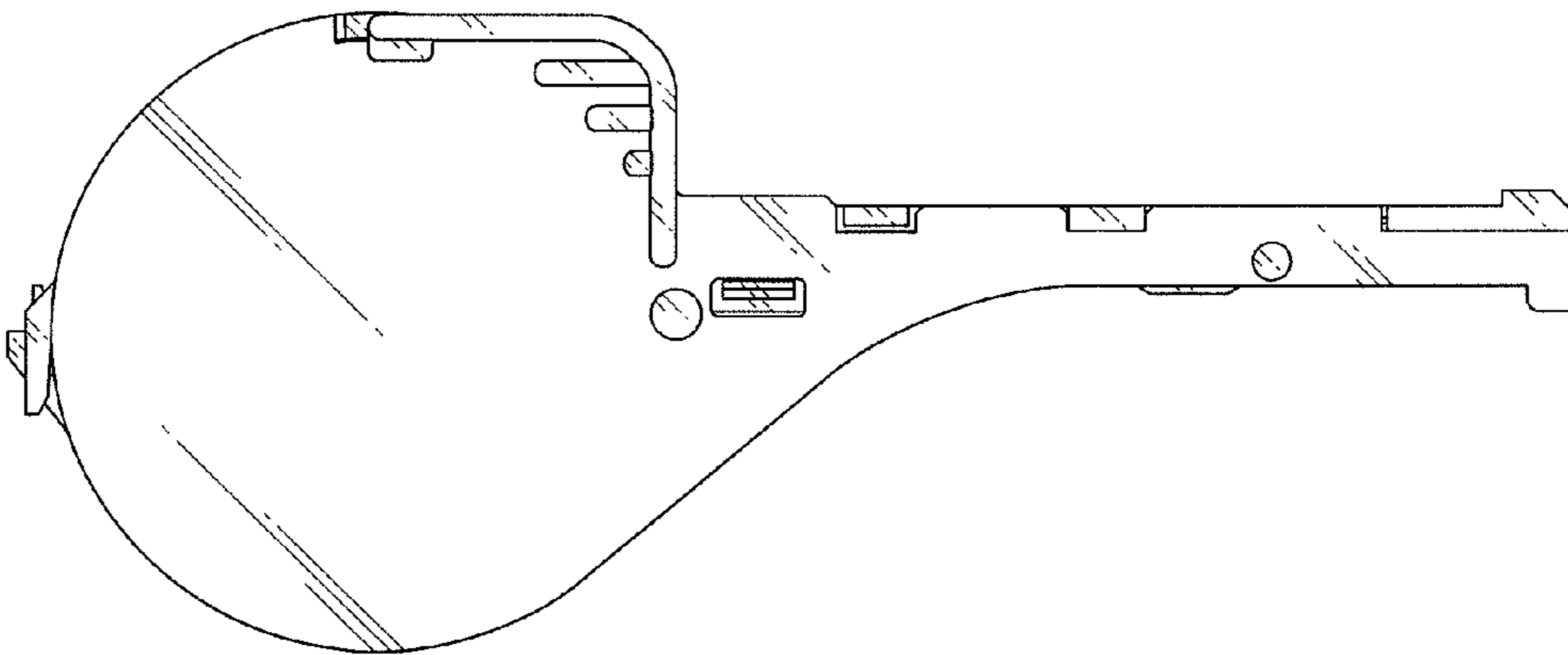
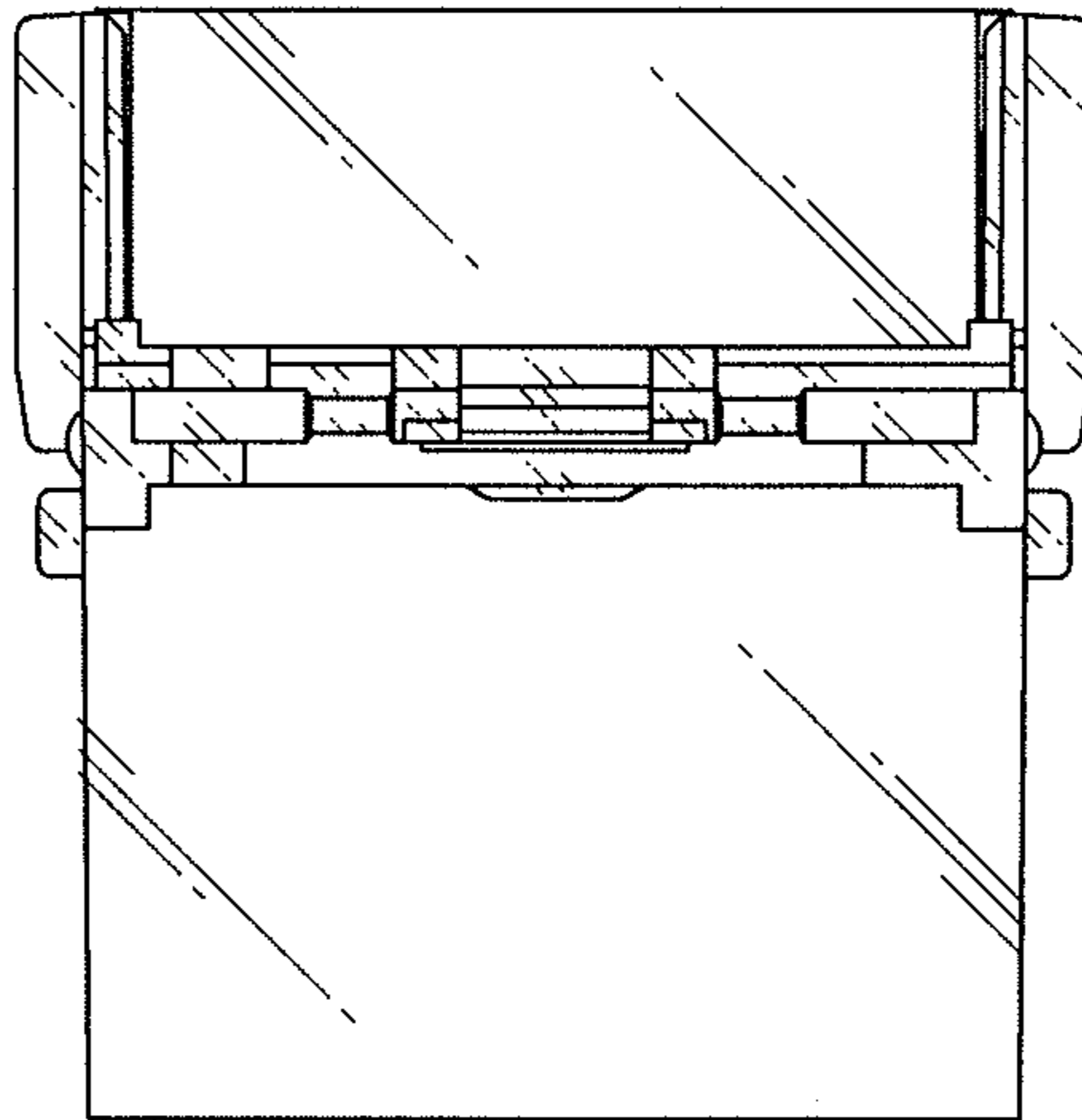
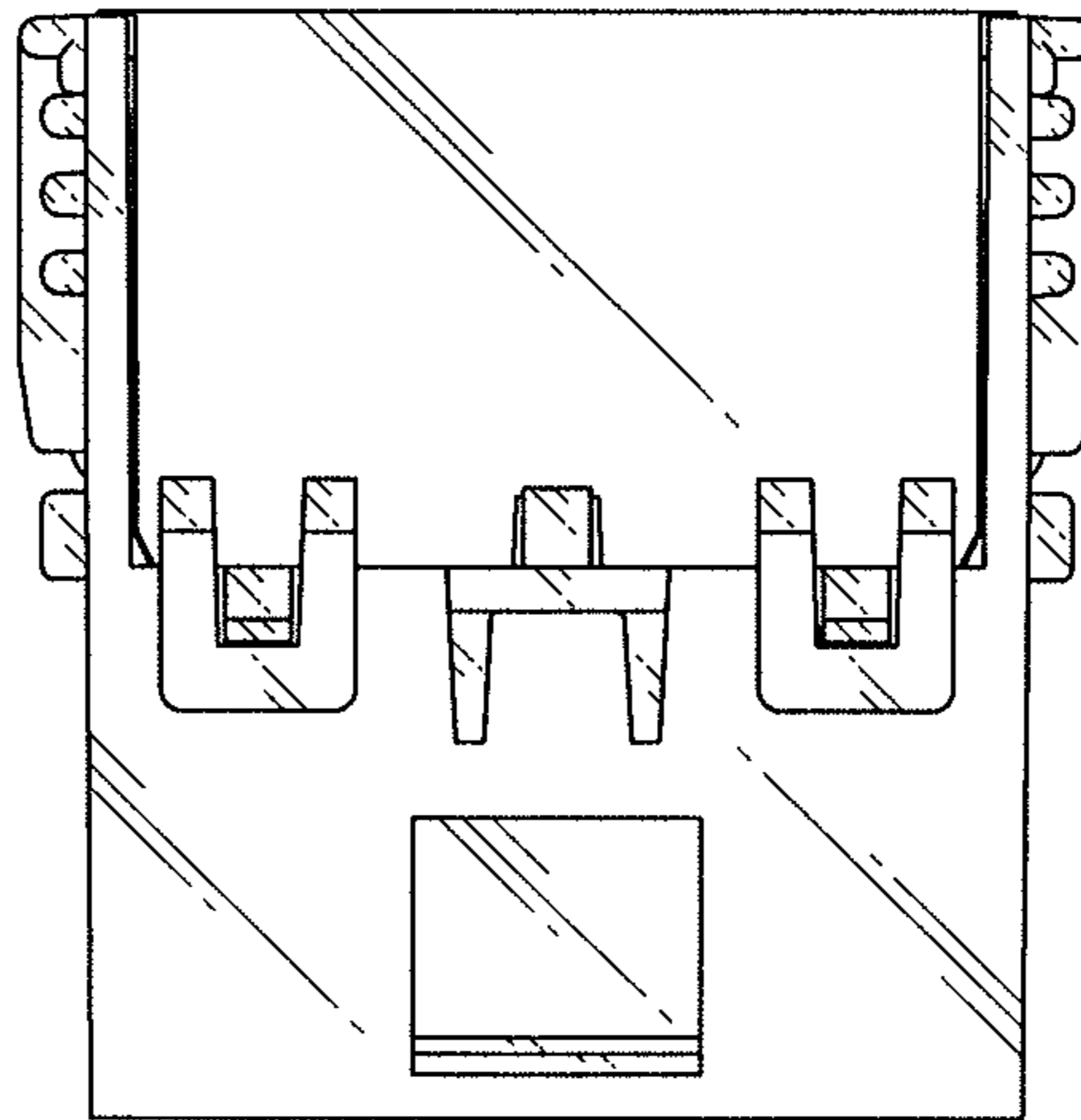


FIG. 12



*FIG. 13*



*FIG. 14*



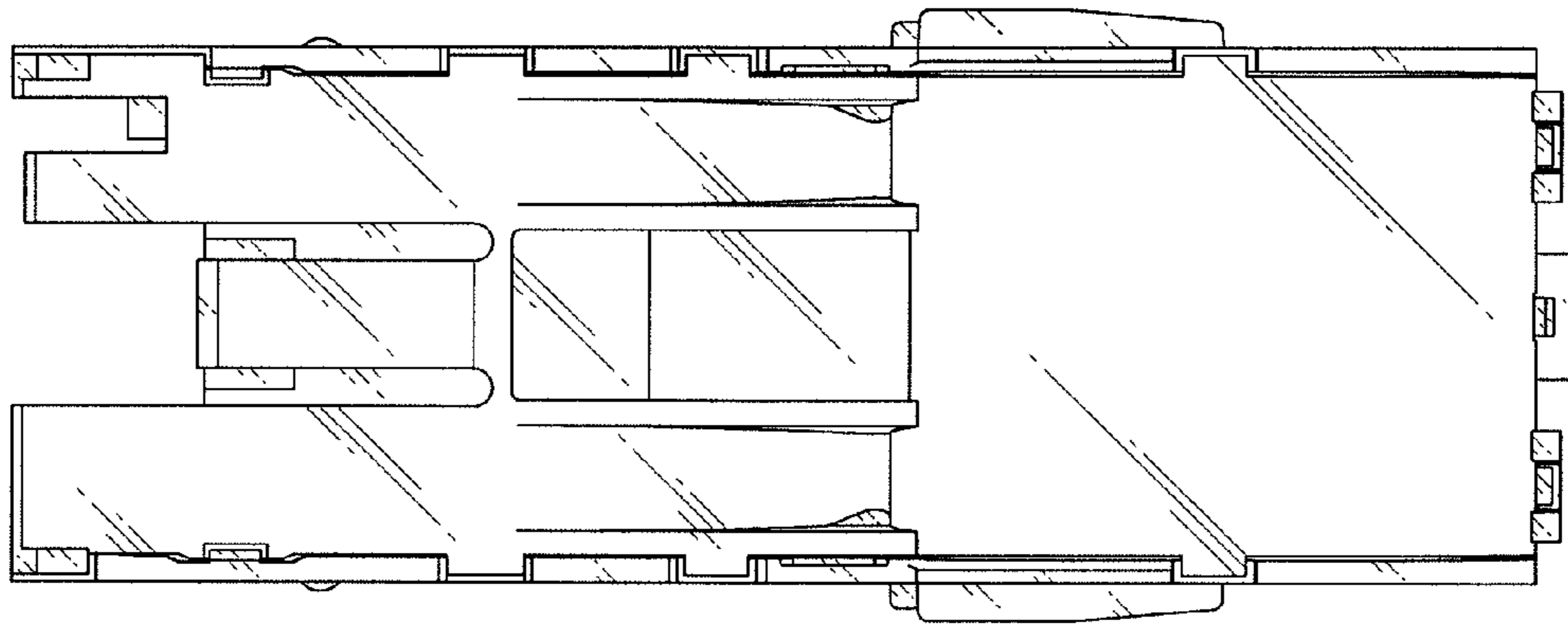


FIG. 15

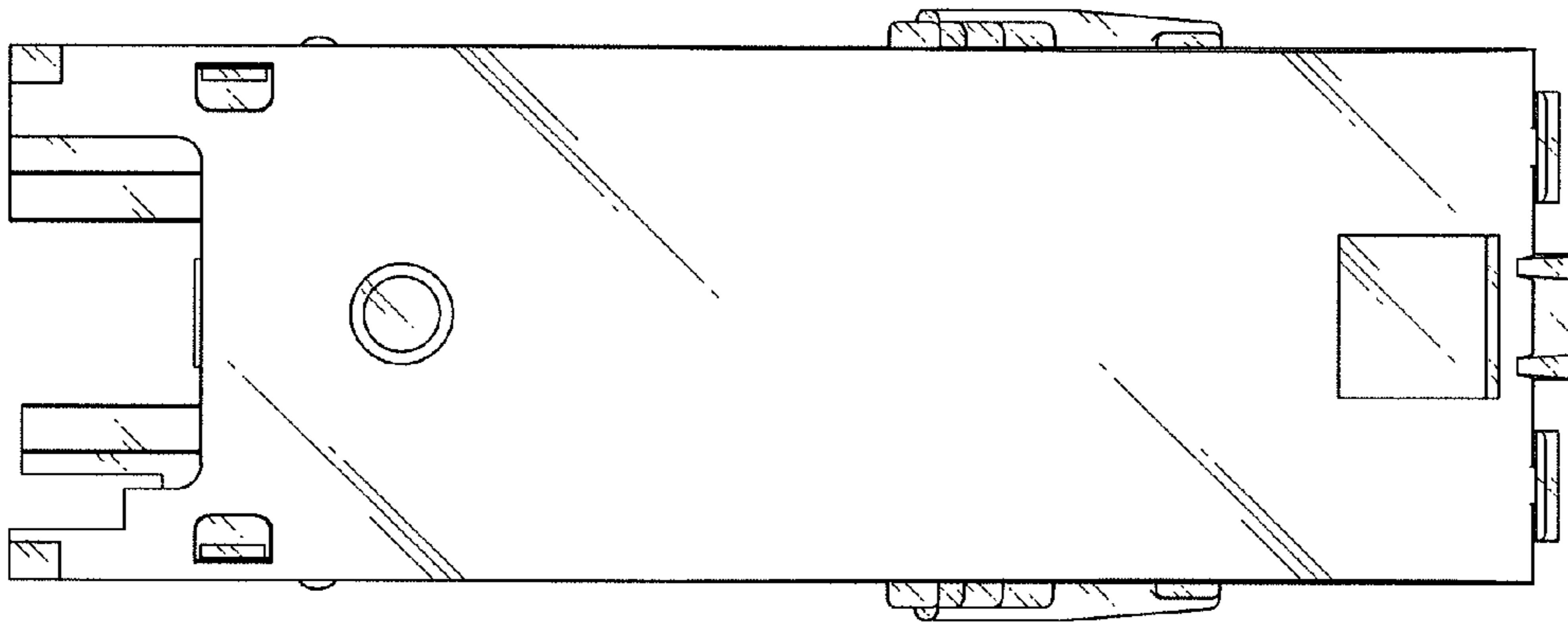


FIG. 16