



US00D691439S

(12) **United States Design Patent**
Yagi et al.

(10) **Patent No.:** **US D691,439 S**
(45) **Date of Patent:** **** Oct. 15, 2013**

(54) **STAPLE REFILL**

(75) Inventors: **Nobuaki Yagi**, Tokyo (JP); **Futoshi Kameda**, Tokyo (JP)

(73) Assignee: **Max Co., Ltd.**, Tokyo (JP)

(**) Term: **14 Years**

(21) Appl. No.: **29/393,888**

(22) Filed: **Jun. 10, 2011**

(30) **Foreign Application Priority Data**

Dec. 15, 2010 (JP) D2010-029909

(51) **LOC (9) Cl.** **19-02**

(52) **U.S. Cl.**
USPC **D8/49**

(58) **Field of Classification Search**

USPC D8/49, 50, 61, 68, 69; D19/72, 73, 65,
D19/69; D21/532; D24/145; 7/158, 160;
227/4, 5, 6, 7, 8, 120, 127, 128, 131,
227/132, 134, 144, 156, 119, 155, 82;
606/139, 143, 153, 219
See application file for complete search history.

(56) **References Cited**

U.S. PATENT DOCUMENTS

D280,070 S * 8/1985 Olesen et al. D8/49
6,557,744 B2 * 5/2003 Kitamura 227/119
6,902,094 B2 * 6/2005 Mochizuki et al. 227/155
D507,729 S * 7/2005 Kishi et al. D8/49

D512,889 S * 12/2005 Miwa et al. D8/49
D593,824 S * 6/2009 Yagi D8/49
7,571,842 B2 * 8/2009 Kishi et al. 227/120
7,721,929 B2 * 5/2010 Yoshie 227/120
7,900,804 B2 * 3/2011 Hakozaeki et al. 227/120
8,006,882 B2 * 8/2011 Kameda et al. 227/120
8,360,291 B2 * 1/2013 Kameda 227/120
2001/0035448 A1 * 11/2001 Kitamura 227/119
2008/0135597 A1 * 6/2008 Kishi et al. 227/120
2010/0301092 A1 * 12/2010 Kameda 227/136

* cited by examiner

Primary Examiner — Austin Murphy

(74) *Attorney, Agent, or Firm* — Drinker Biddle & Reath LLP

(57) **CLAIM**

The ornamental design for a staple refill, as shown and described.

DESCRIPTION

FIG. 1 is a perspective view of the front, top plan and left side of a staple refill showing our new design;
FIG. 2 is a perspective view of the rear, bottom and right side thereof;
FIG. 3 is a front view thereof;
FIG. 4 is a rear view thereof;
FIG. 5 is a top plan view thereof;
FIG. 6 is a bottom view thereof;
FIG. 7 is a left side view thereof; and,
FIG. 8 is a right side view thereof.

1 Claim, 7 Drawing Sheets

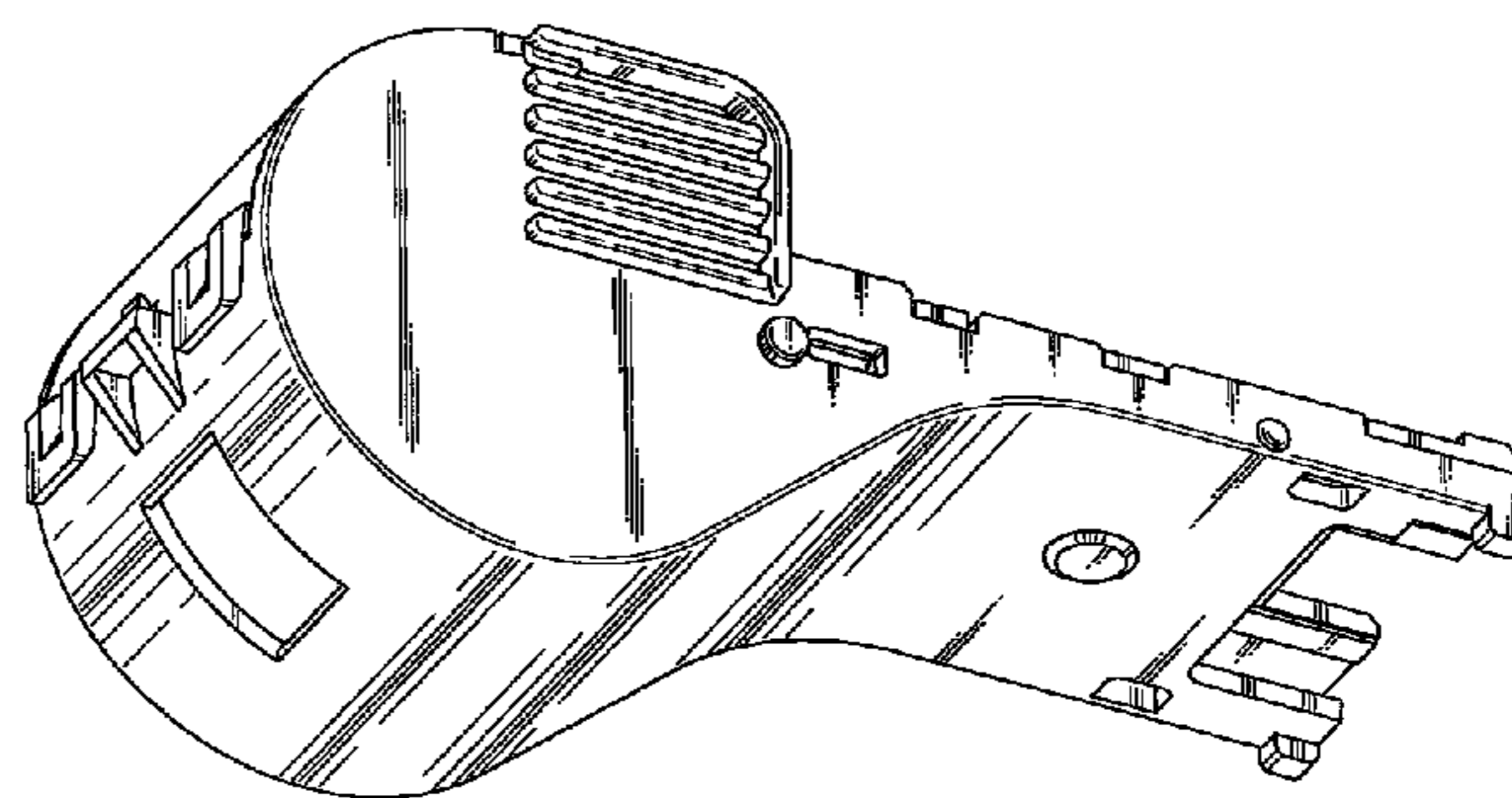
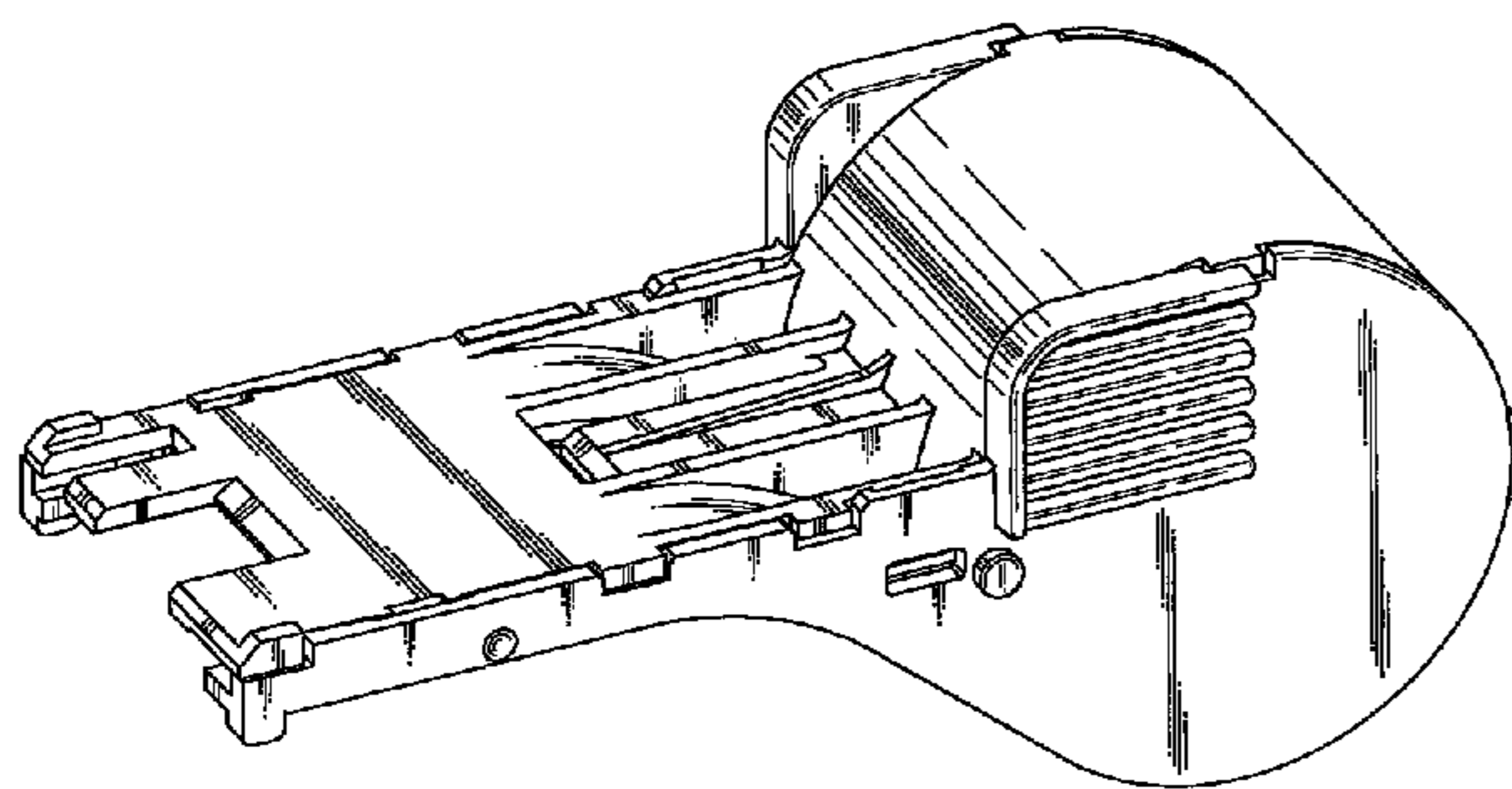


Fig. 1

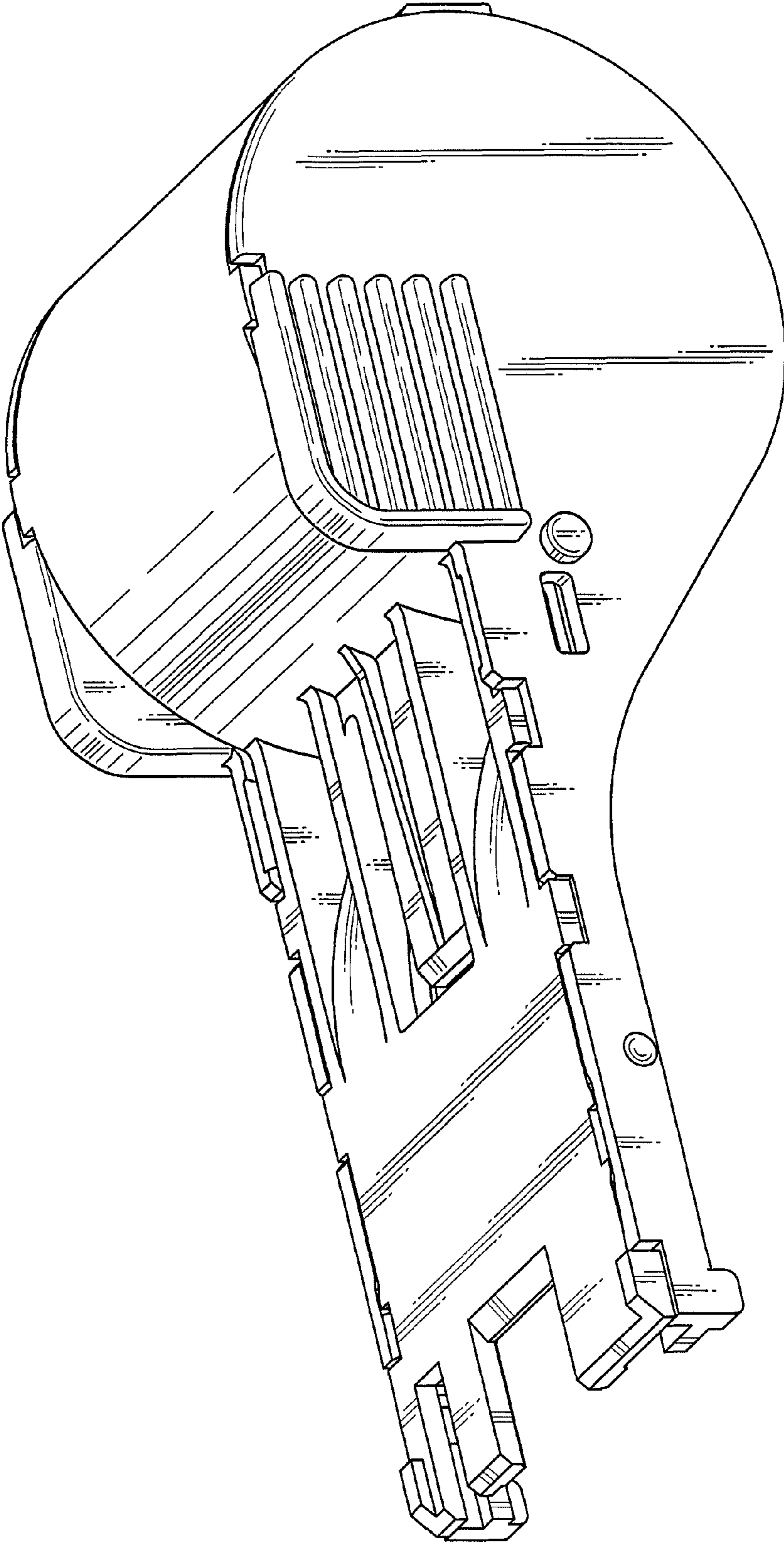


Fig. 2

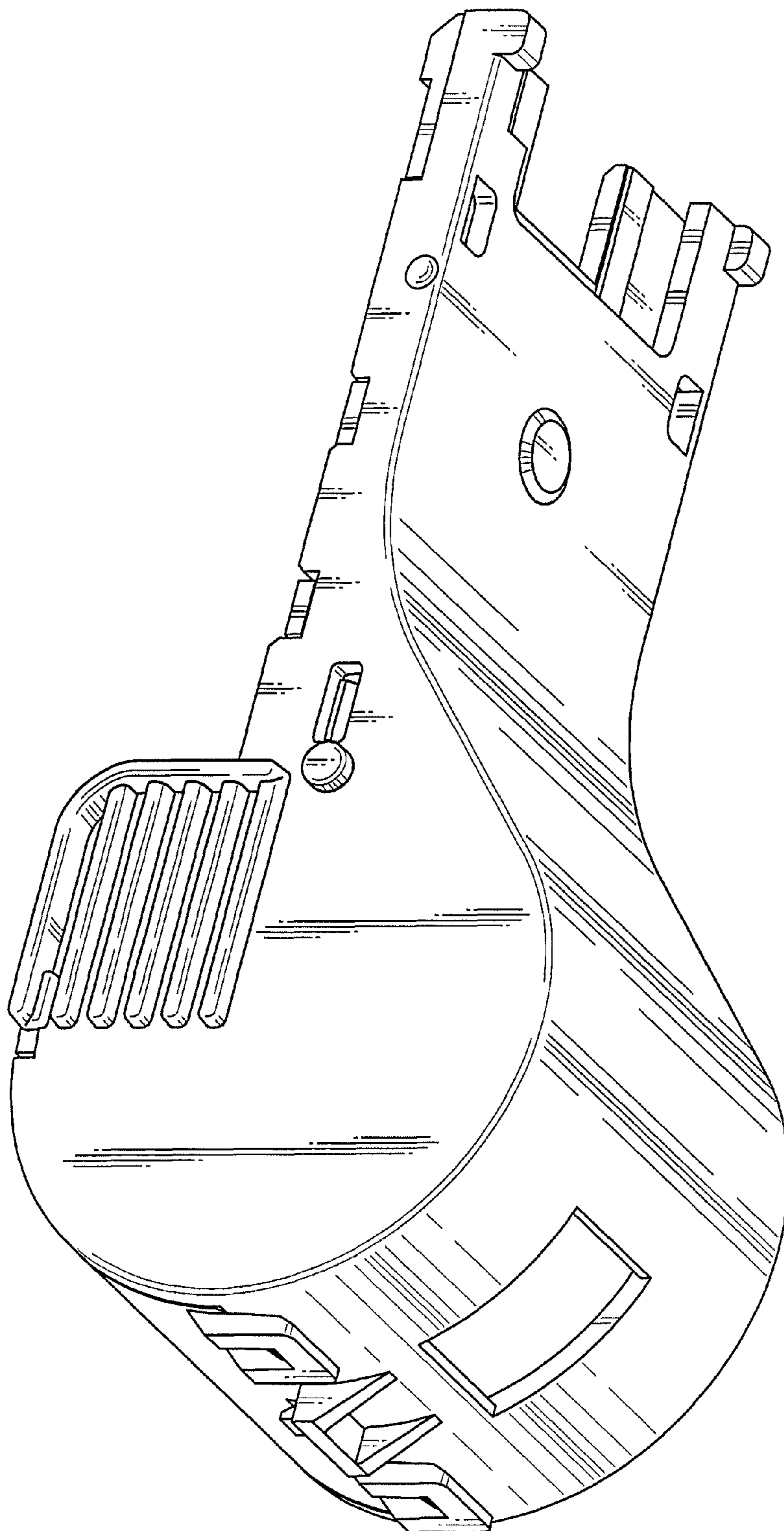


Fig. 3

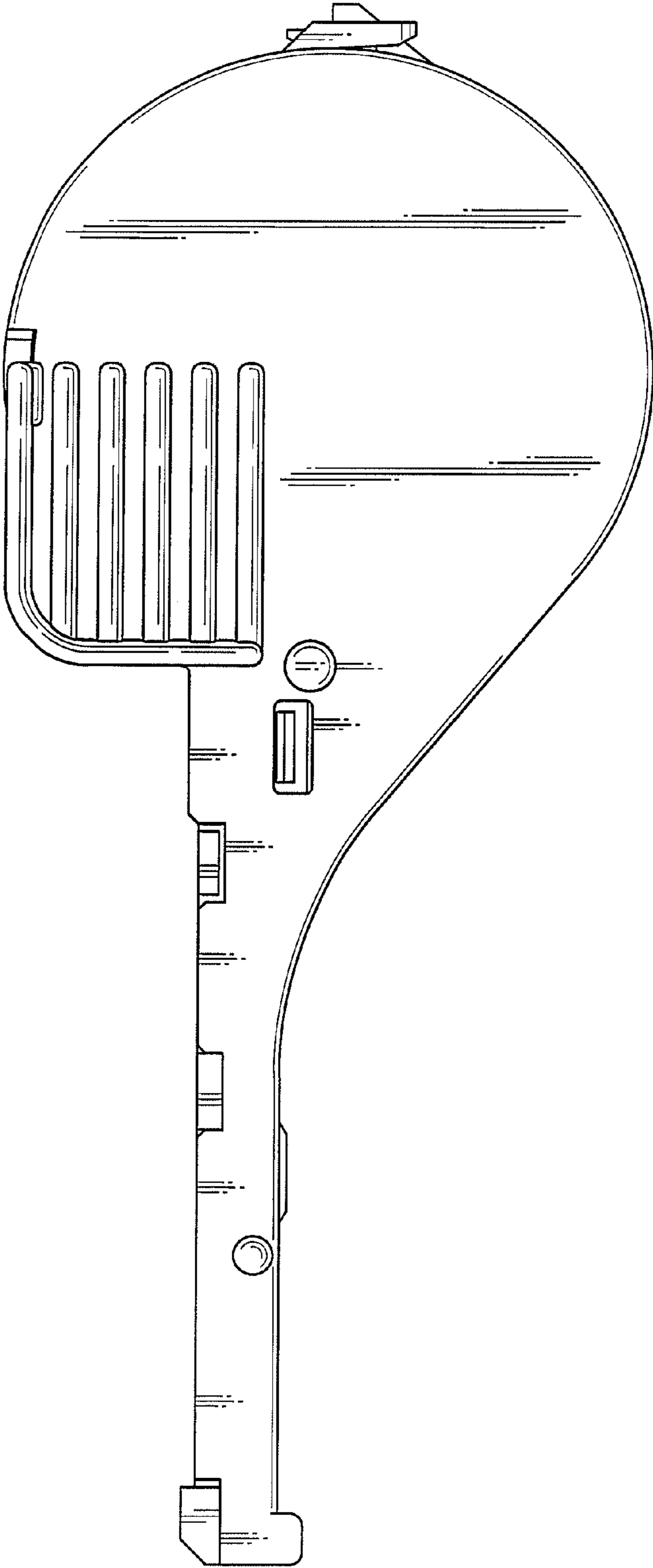


Fig. 4

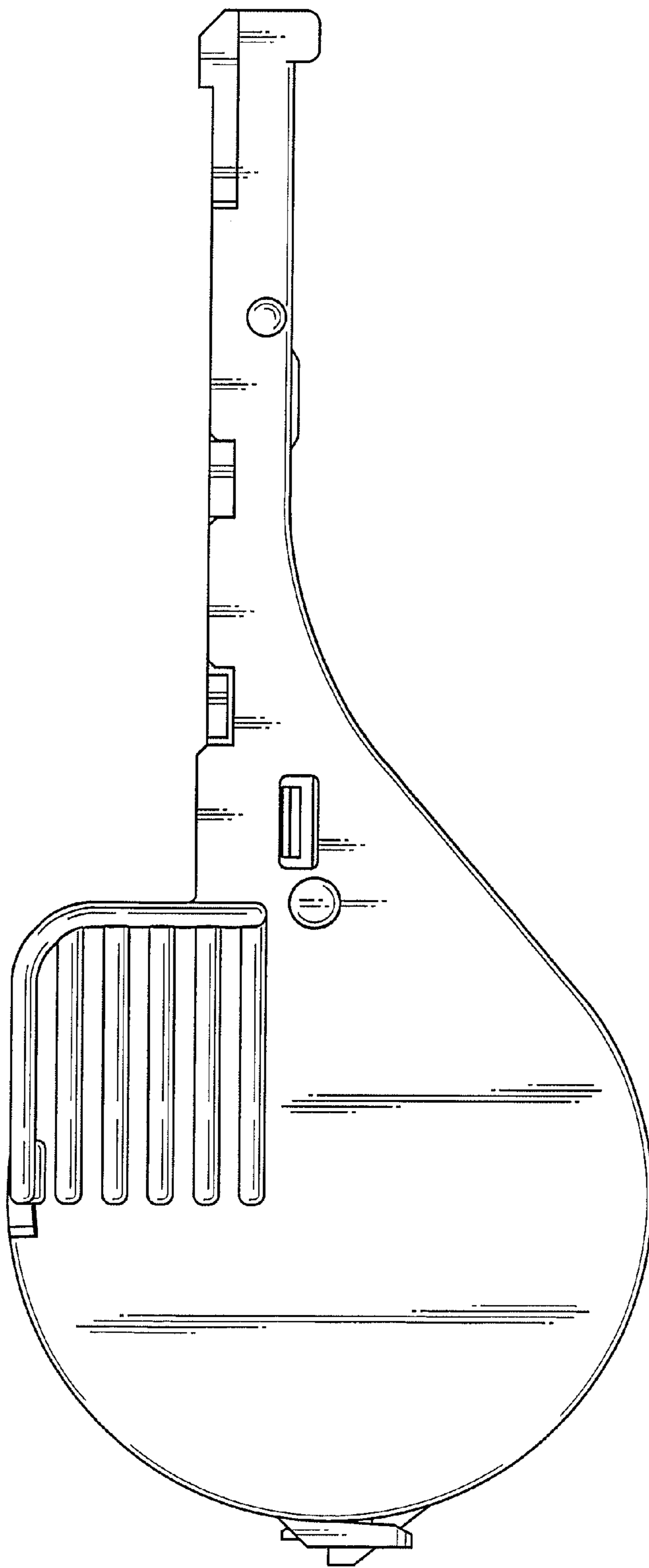


Fig. 5

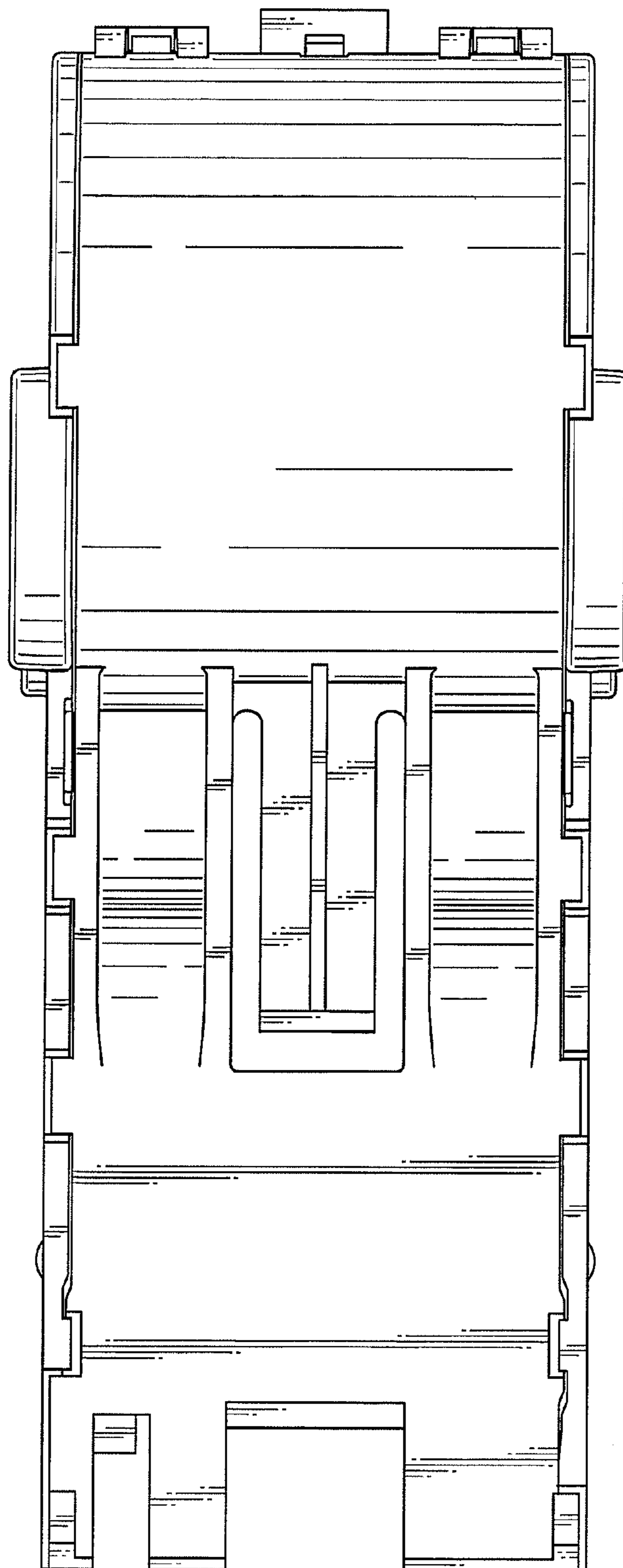


Fig. 6

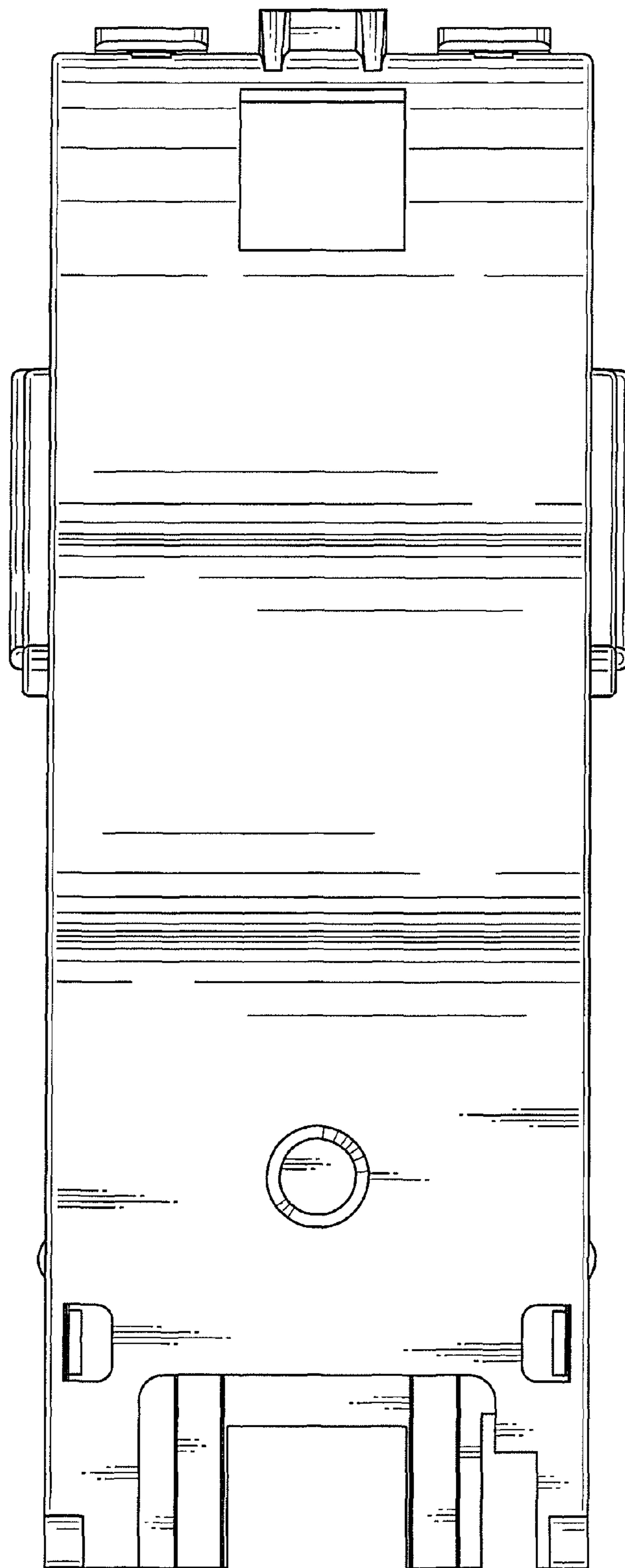


Fig. 8

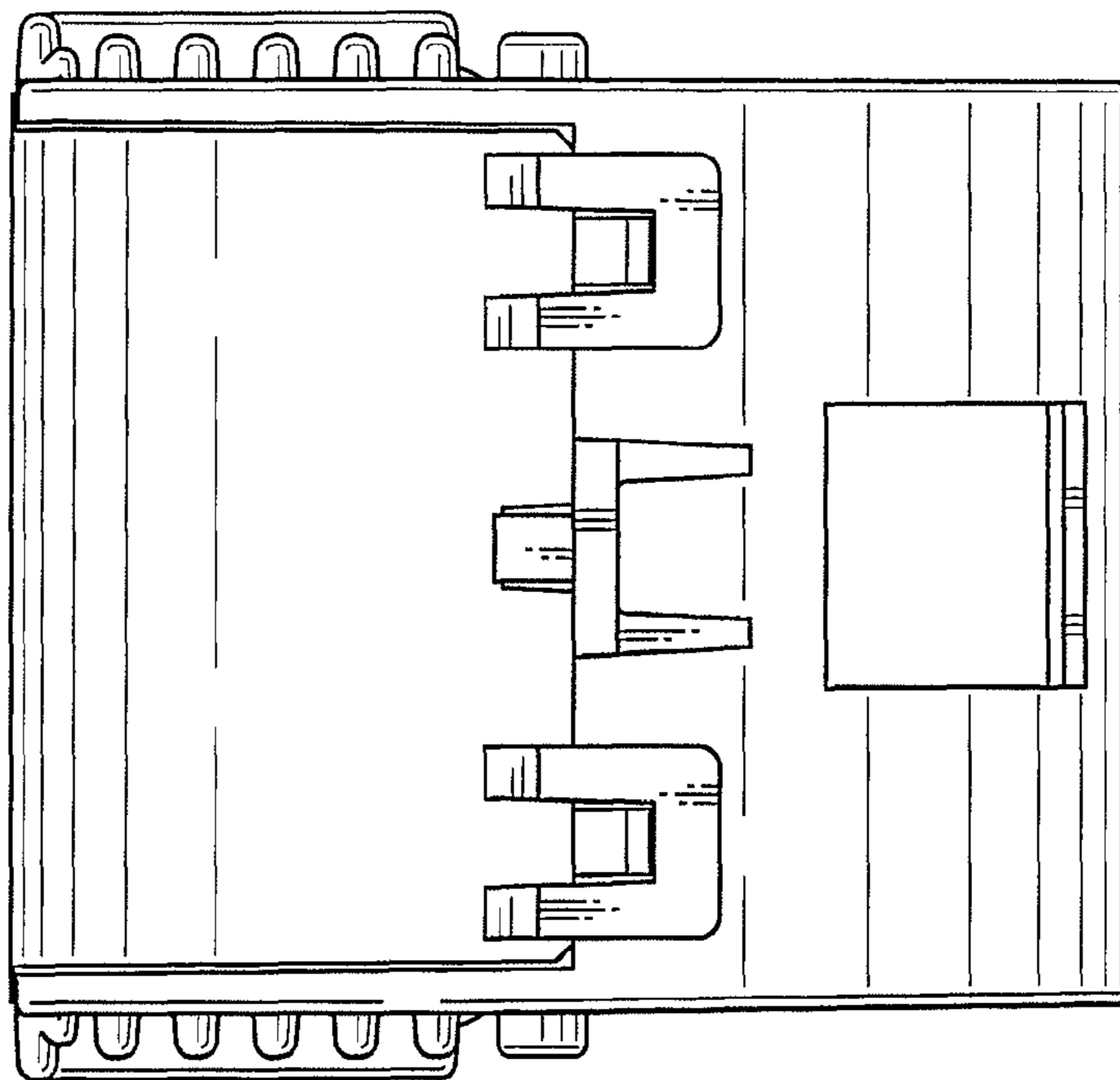


Fig. 7

